



US00D368223S

United States Patent [19]
Williamson

[11] **Patent Number: Des. 368,223**

[45] **Date of Patent: **Mar. 26, 1996**

+
[54] **END CAP FOR PRESSURE VESSEL**

[76] Inventor: **Robert D. Williamson**, 1490 Golfcrest Pl., Vista, Calif. 92083

[**] Term: **14 Years**

[21] Appl. No.: **20,152**

[22] Filed: **Mar. 21, 1994**

[52] U.S. Cl. **D9/435**

[58] **Field of Search** D7/317, 358, 510-511, D7/622, 629, 396.2; D9/434-436, 438, 440, 443, 445-447, 449, 453-454; 215/211, 216, 232, 235, 237, 246, 251, 253; 220/259, 266, 268, 283, 288, 334, 337-338, 344, 359, 375, 711, 713, 115; 222/480, 485, 545

[56] **References Cited**

U.S. PATENT DOCUMENTS

D. 277,825	3/1985	Whatley	D9/436
D. 297,620	9/1988	Cracauer et al.	D9/447
D. 328,033	7/1992	DiGuseppi	D9/435

Primary Examiner—Alan P. Douglas
Assistant Examiner—Robert M. Spear

Attorney, Agent, or Firm—Calif Tervo

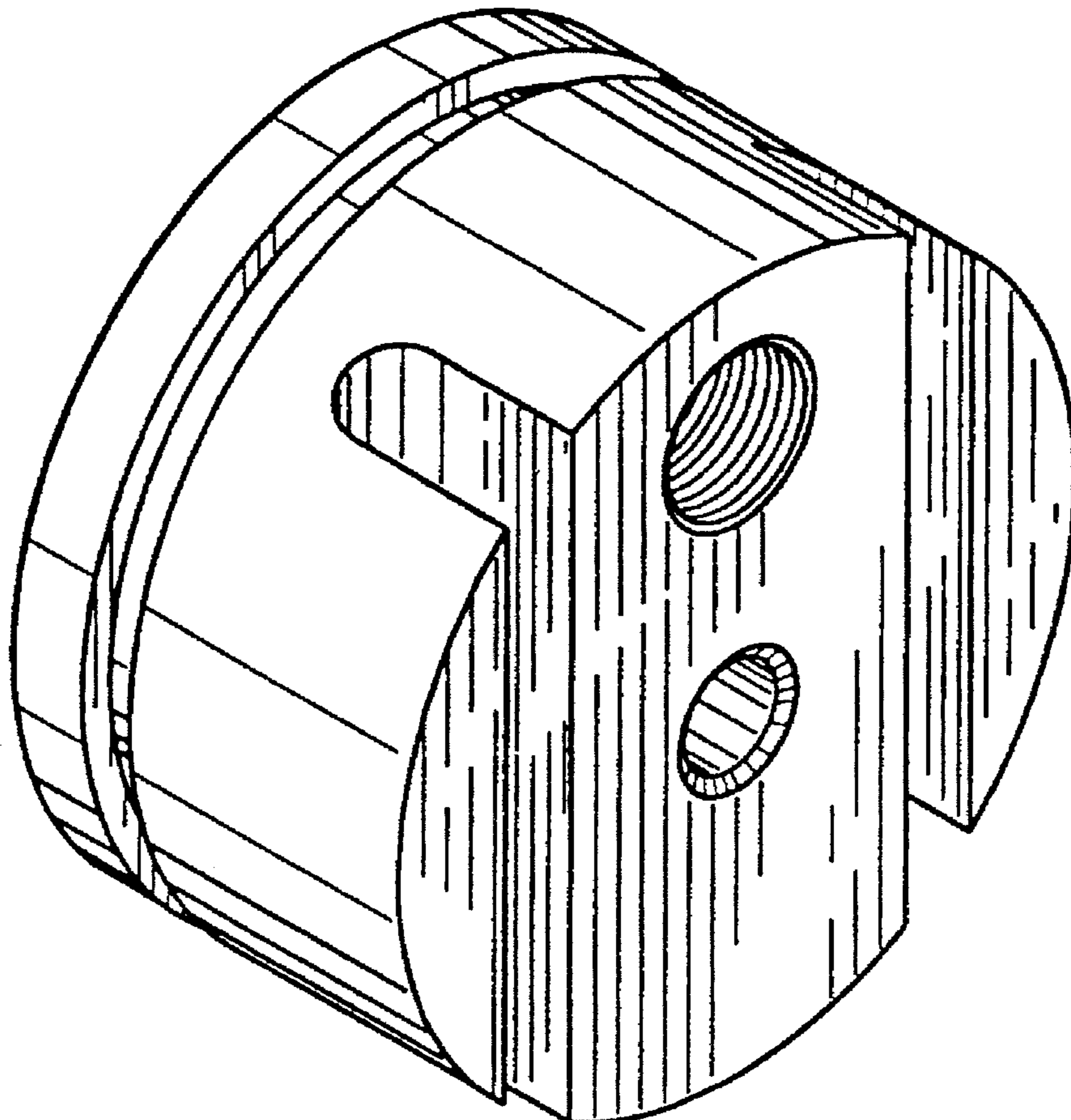
[57] **CLAIM**

The ornamental design for an end cap for a pressure vessel, as shown and described.

DESCRIPTION

FIG. 1 is a perspective view of a first embodiment of an end cap for a pressure vessel showing my new design;
 FIG. 2 is a top plan view thereof;
 FIG. 3 is a front elevational view thereof;
 FIG. 4 is a right side elevational view thereof, the opposite side being a mirror image;
 FIG. 5 is a rear elevational view thereof;
 FIG. 6 is a perspective view of a second embodiment of an end cap for a pressure vessel showing my new design;
 FIG. 7 is a top plan view thereof;
 FIG. 8 is a front elevational view thereof;
 FIG. 9 is a right side elevational view thereof, the opposite side being a mirror image;
 FIG. 10 is a rear elevational view thereof;
 FIG. 11 is a cross-sectional view taken on line 11—11 of FIG. 5; and,
 FIG. 12 is a cross-sectional view taken on line 12—12 of FIG. 10.

1 Claim, 3 Drawing Sheets



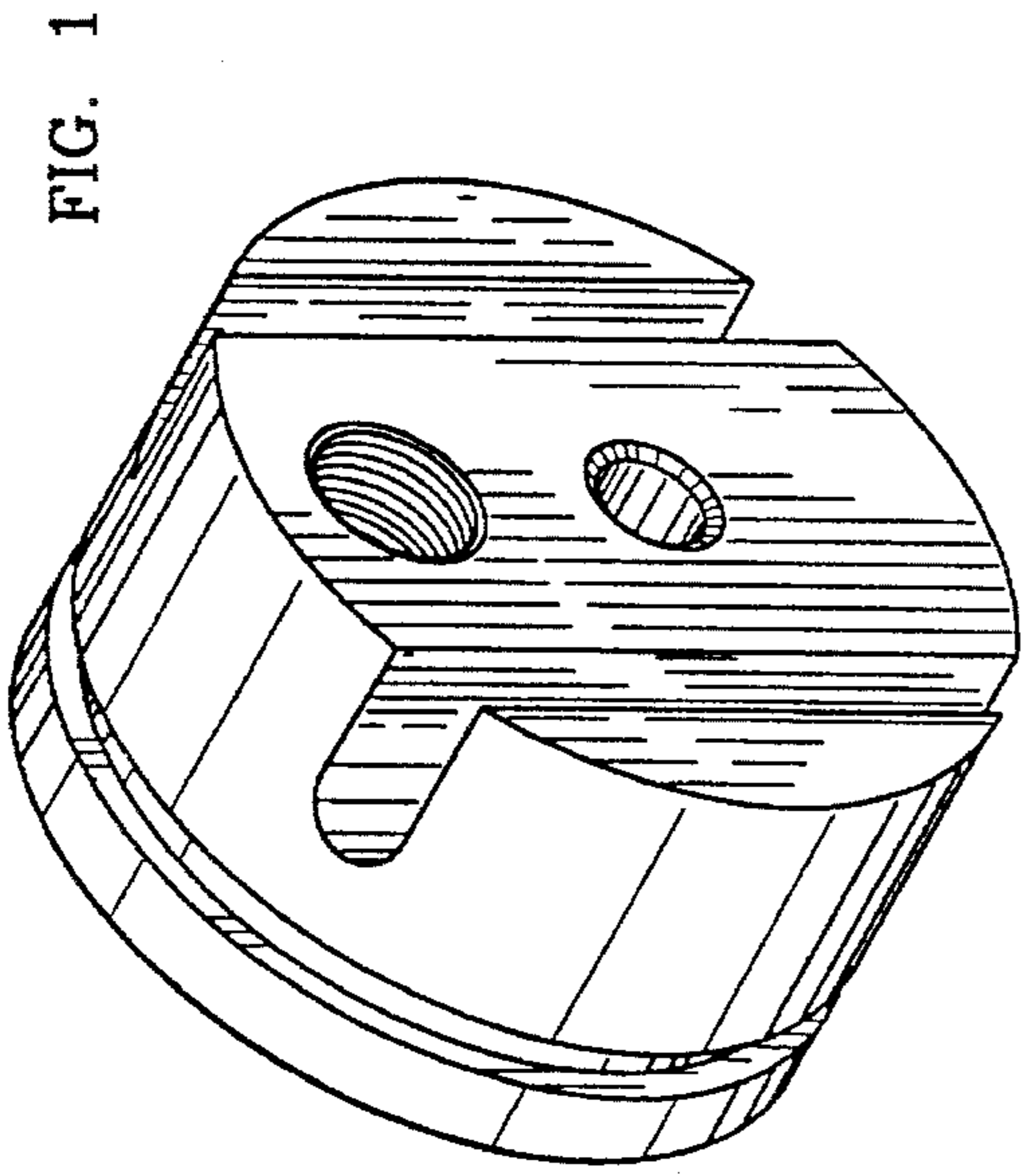


FIG. 1

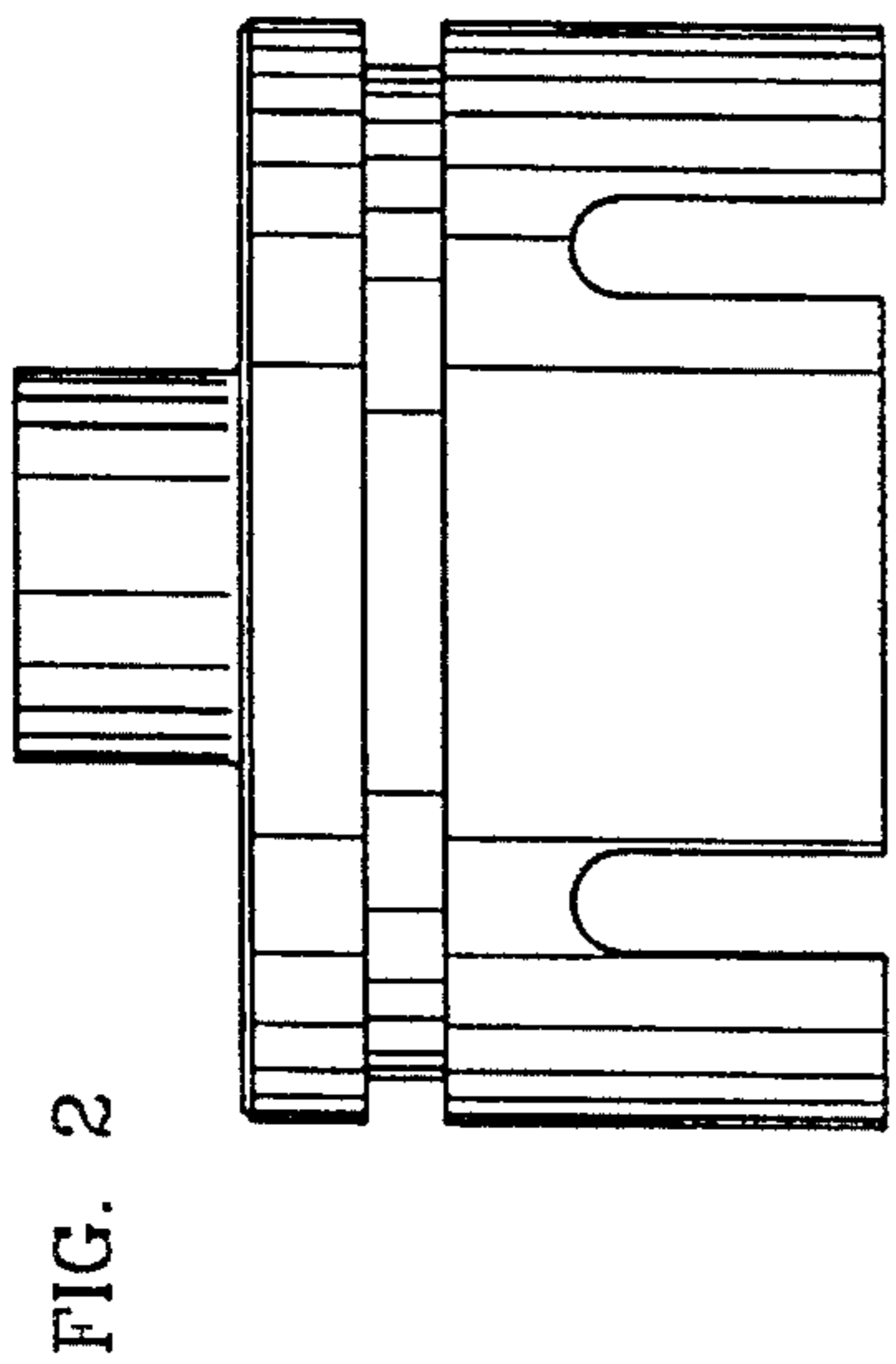


FIG. 2

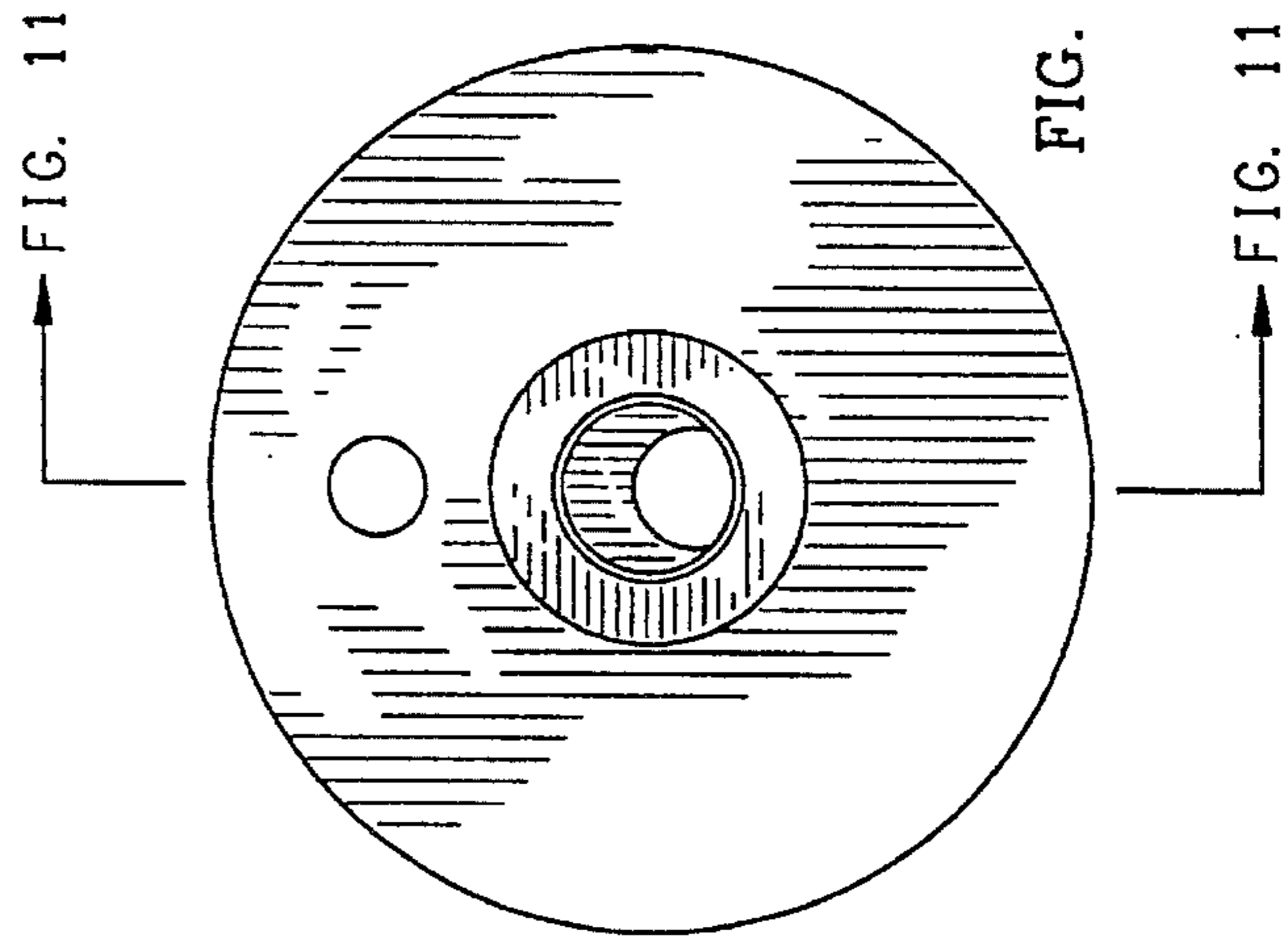


FIG. 5

FIG. 11

FIG. 11

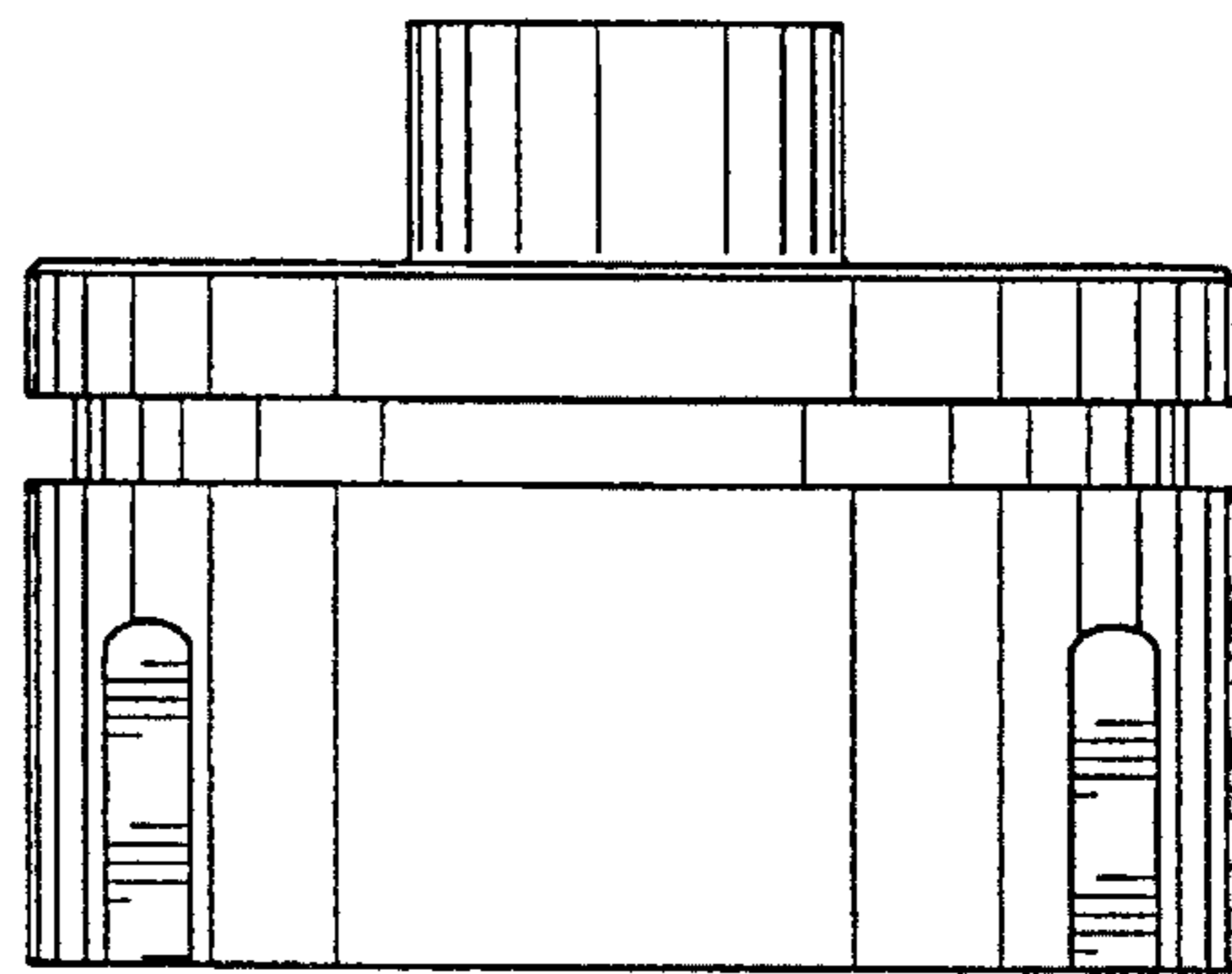


FIG. 4

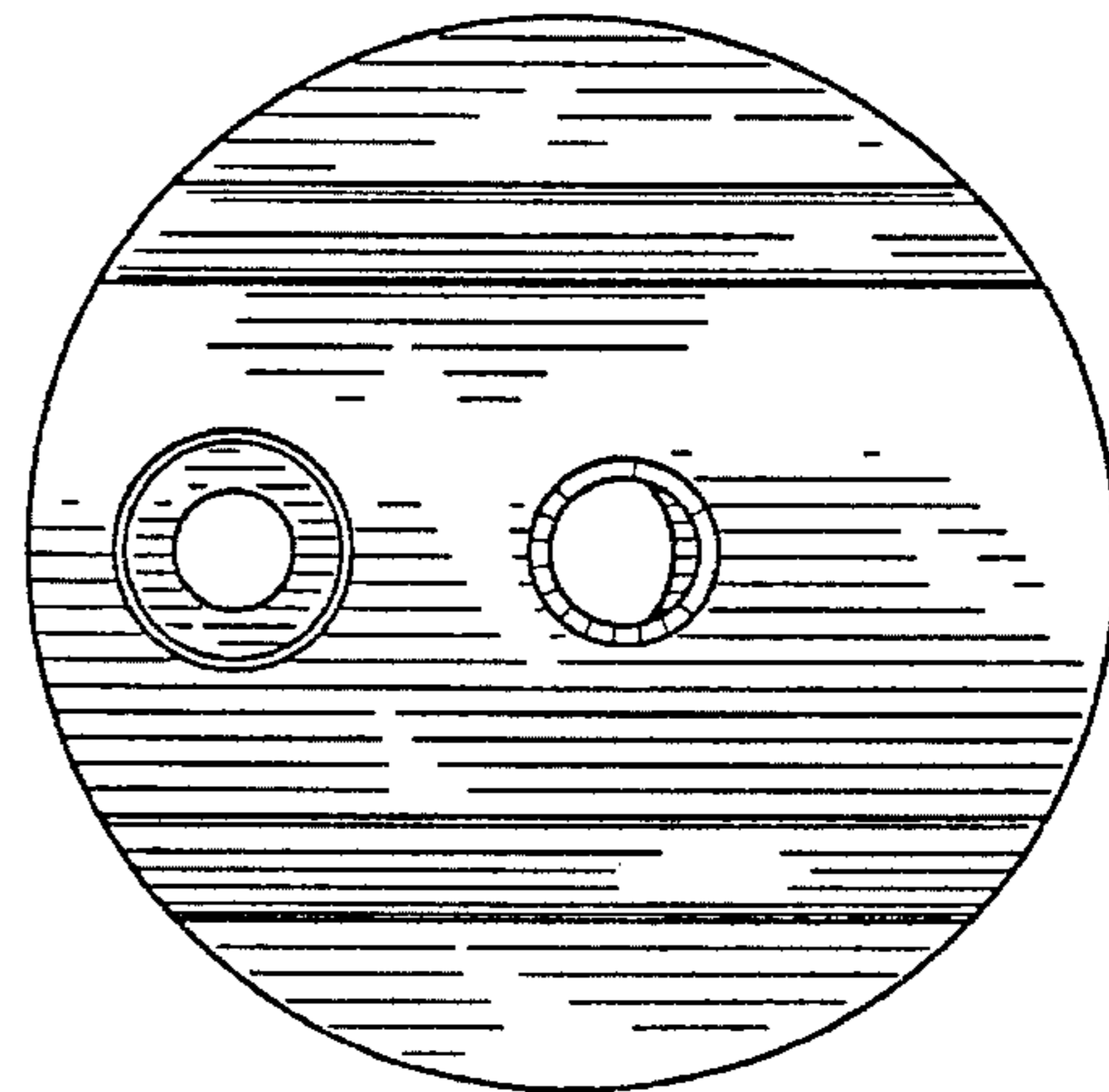


FIG. 3

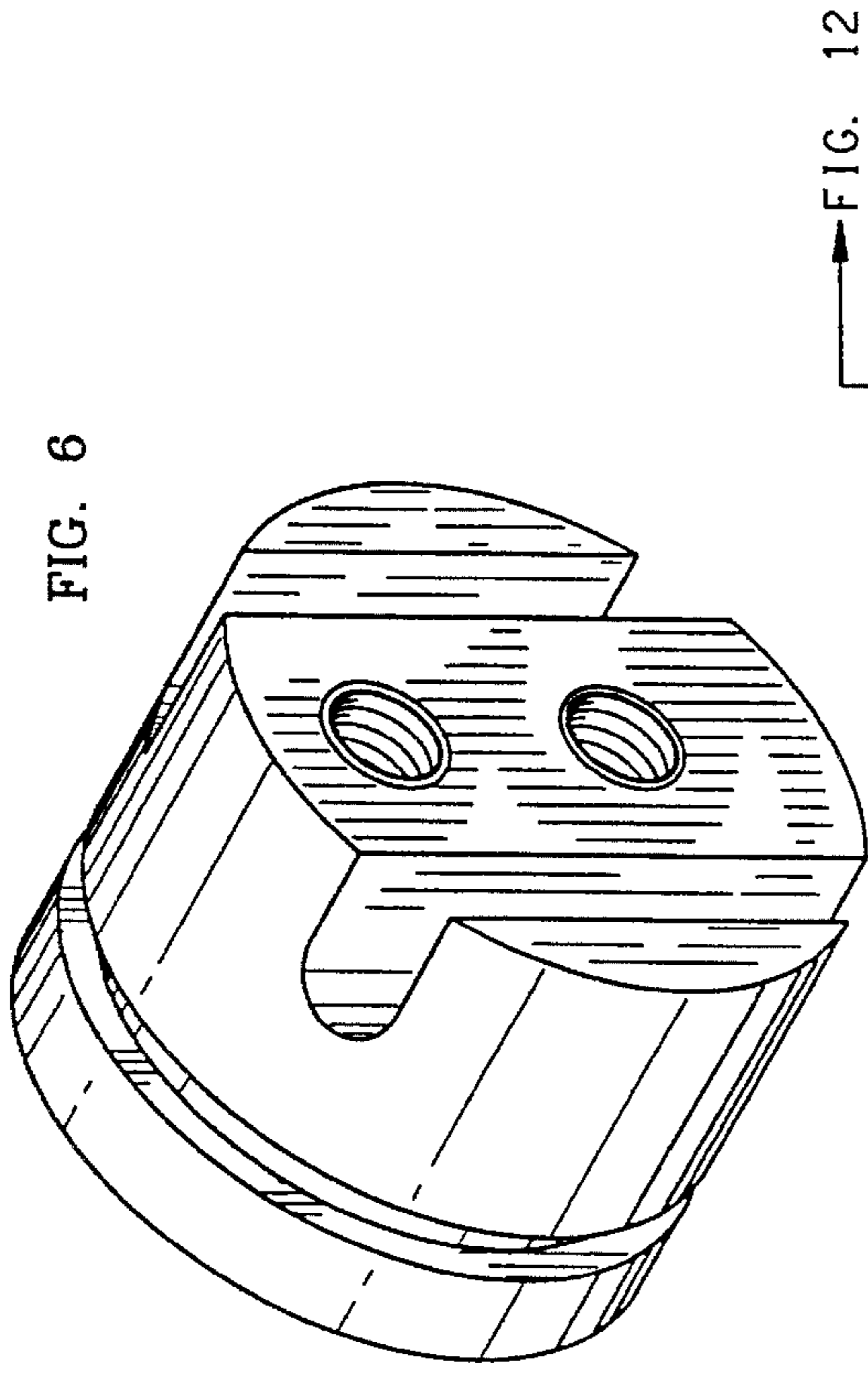


FIG. 6

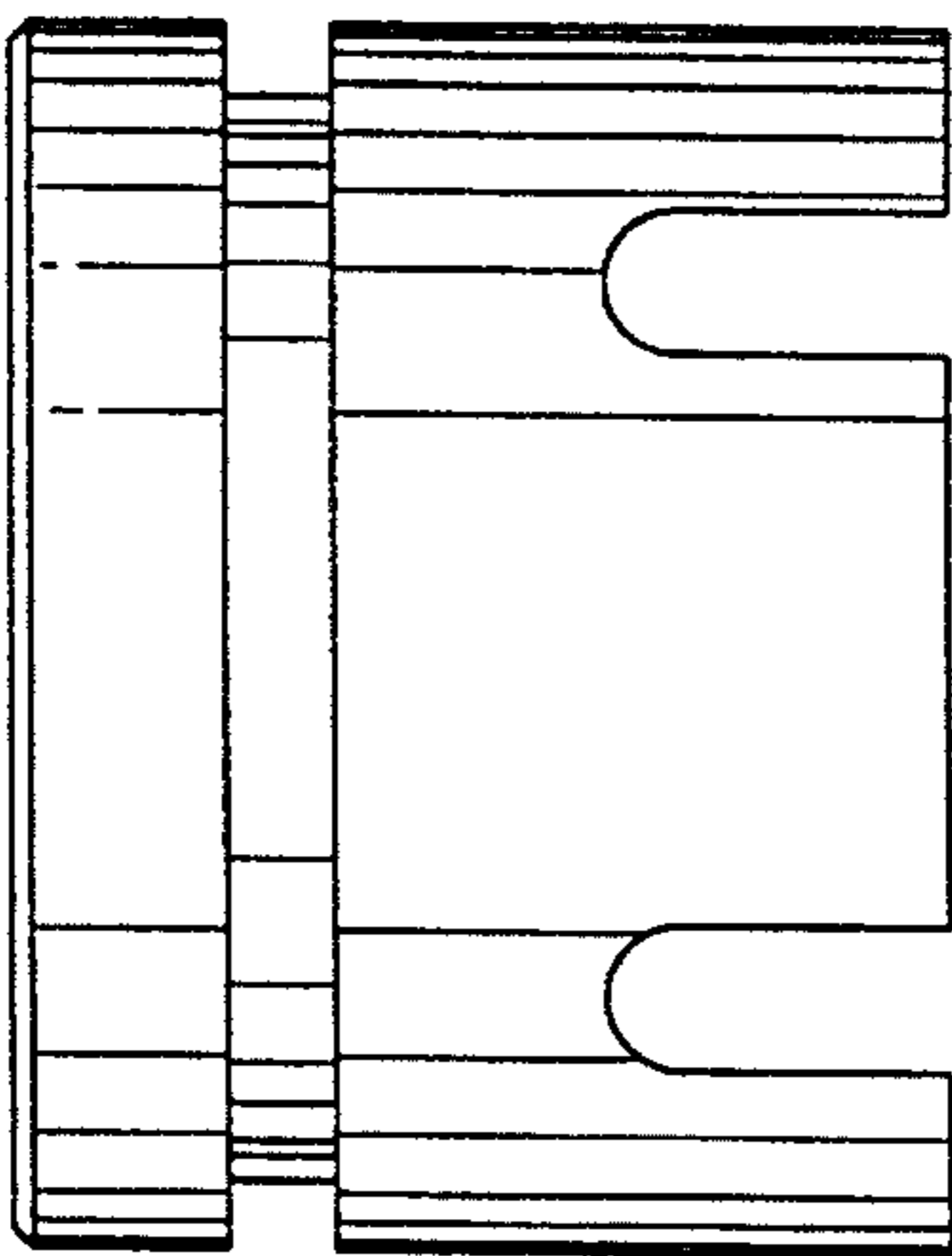


FIG. 7

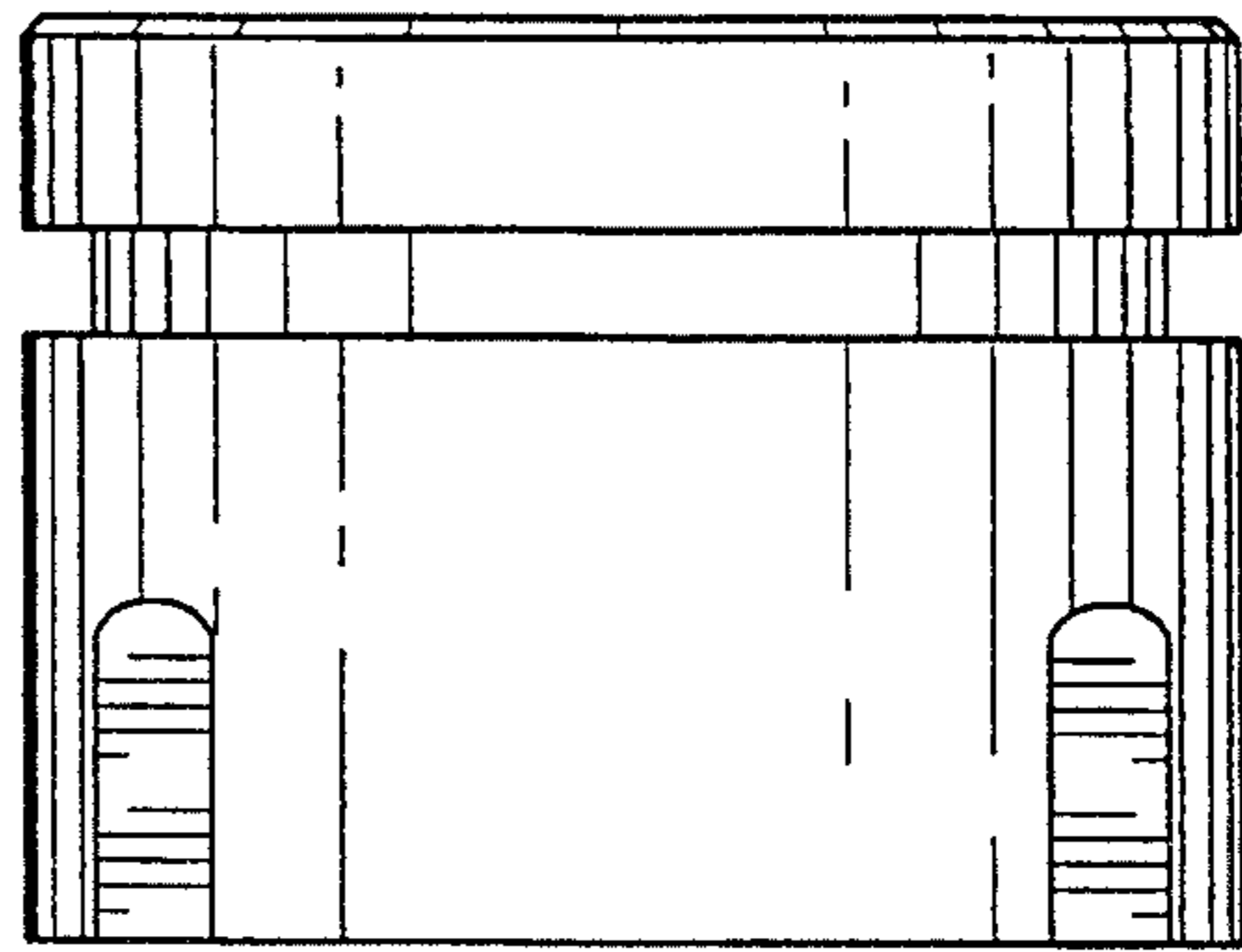


FIG. 9

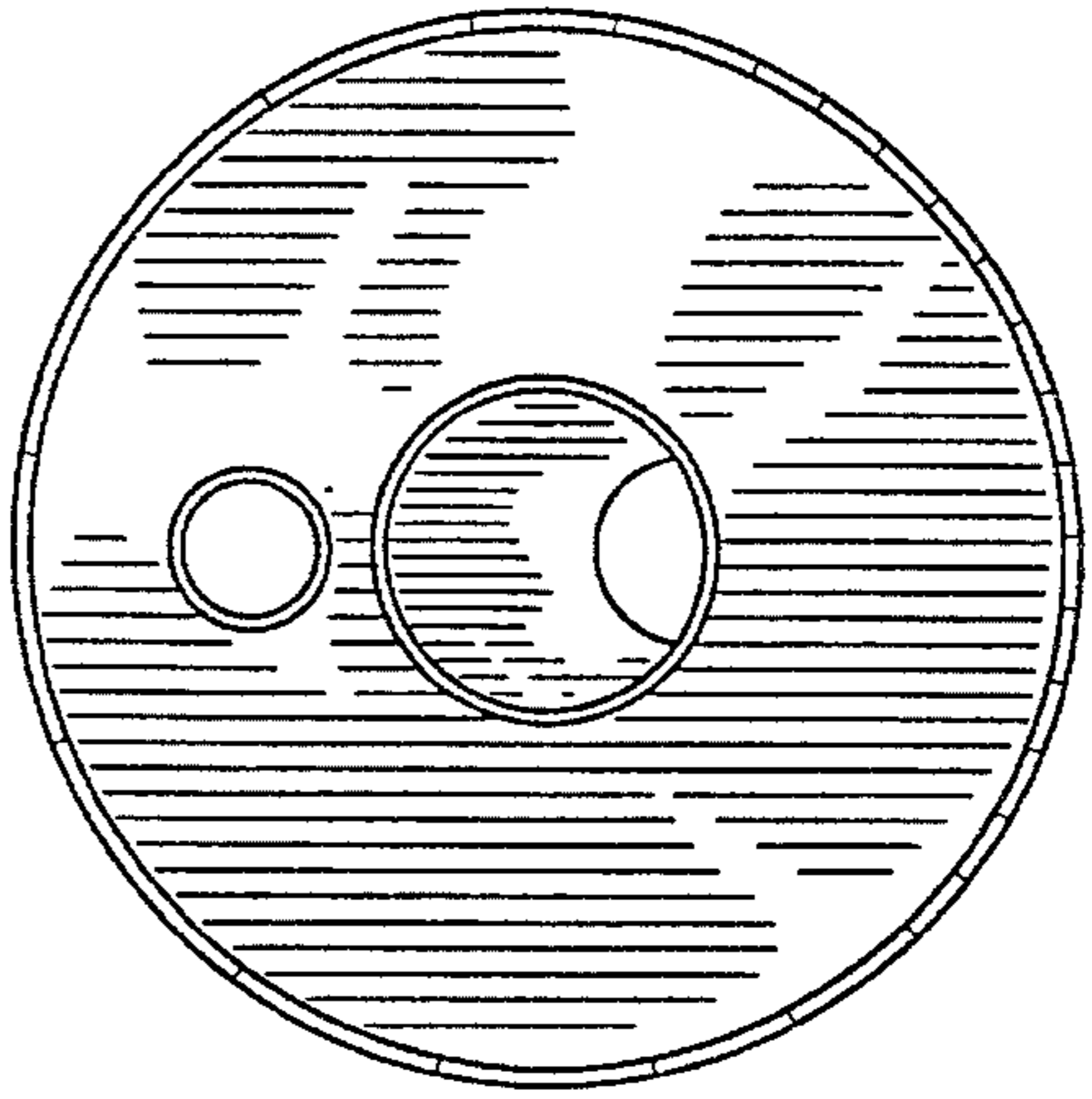


FIG. 10

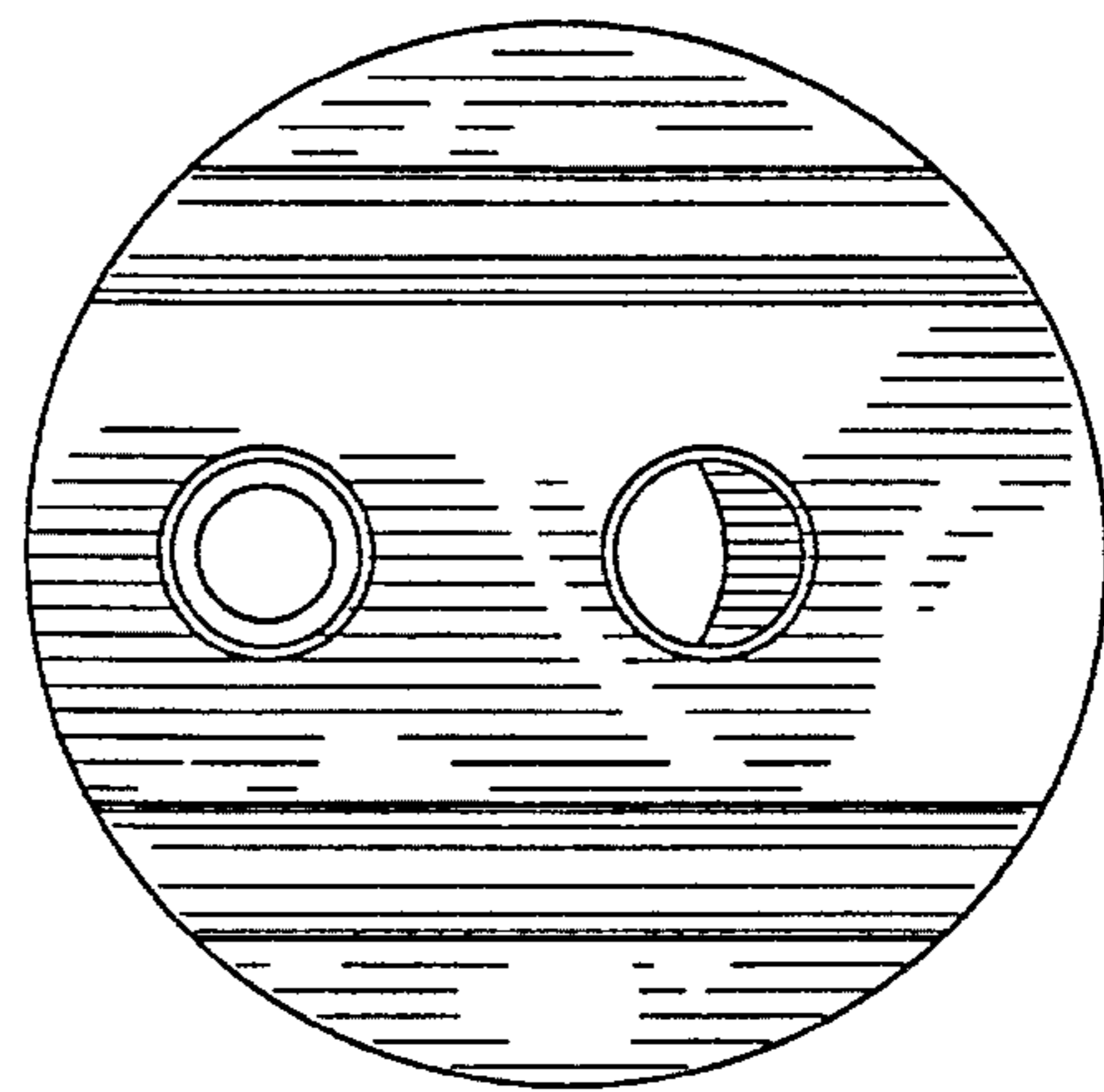


FIG. 8

FIG. 12



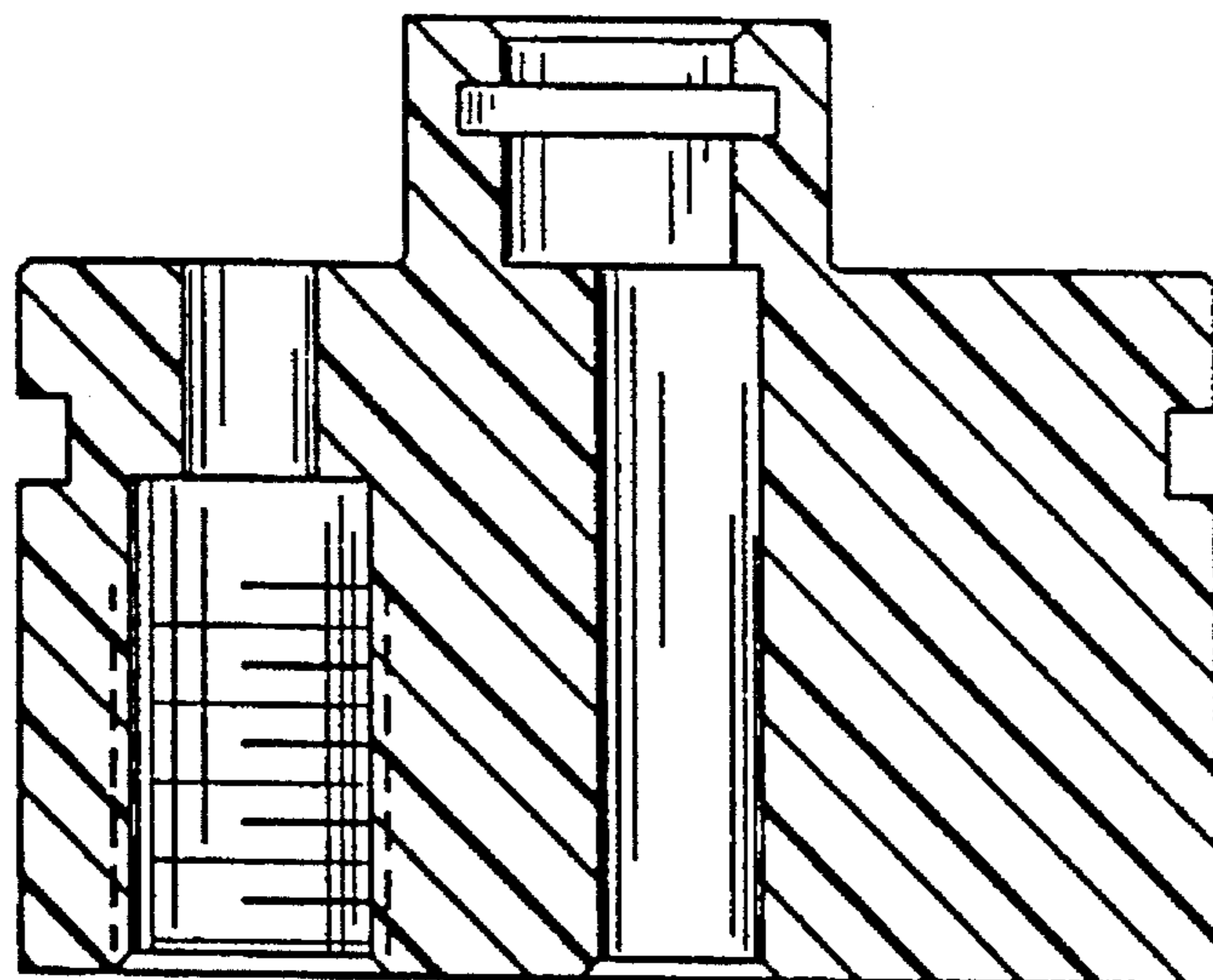


FIG. 11

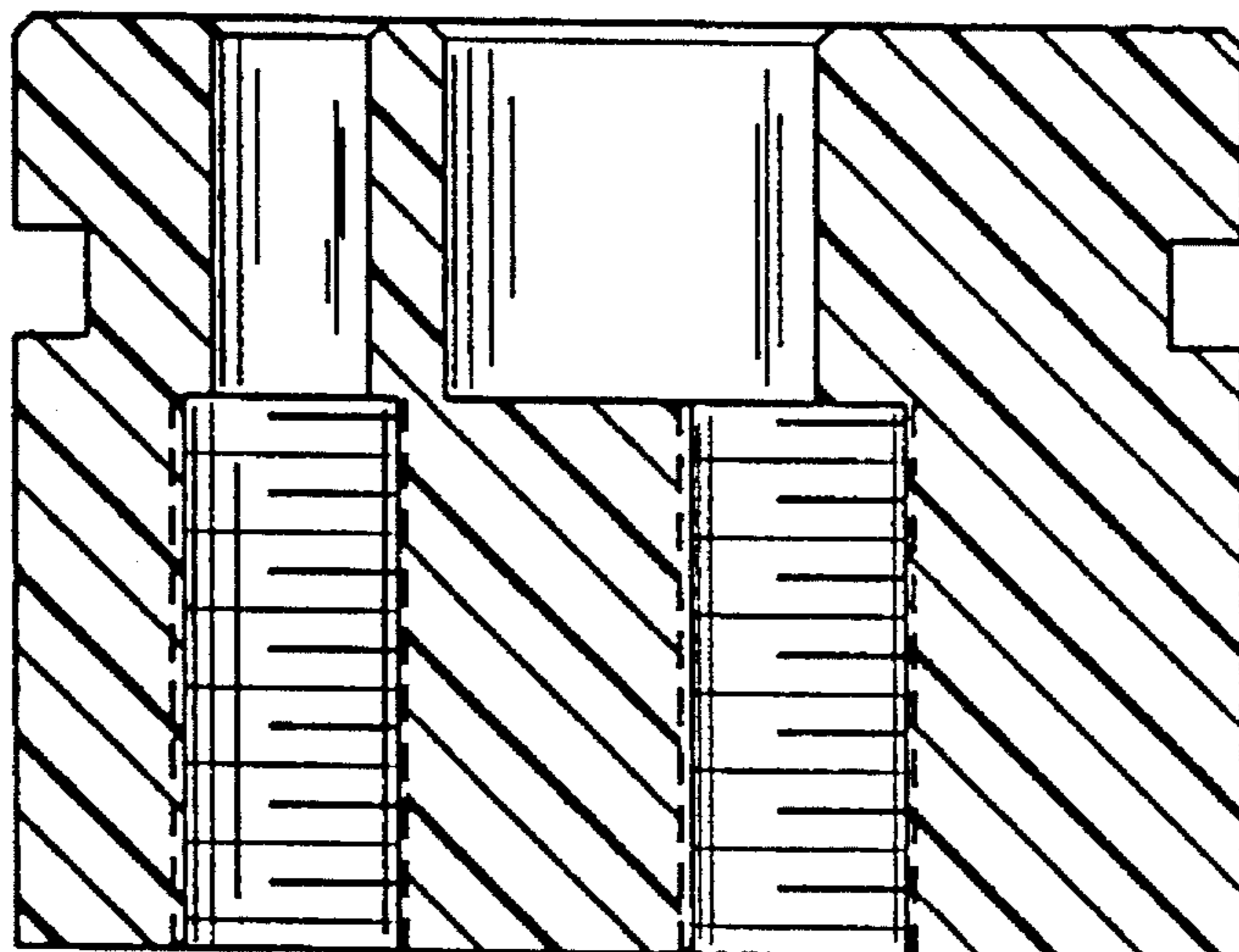


FIG. 12