



US00D368217S

United States Patent [19]

Friel

[11] Patent Number: **Des. 368,217**

[45] Date of Patent: ****Mar. 26, 1996**

[54] **KNIFE SHARPENER**

[75] Inventor: **Daniel D. Friel**, Greenville, Del.

[73] Assignee: **Edgcraft Corporation**, Avondale, Pa.

[**] Term: **14 Years**

[21] Appl. No.: **28,506**

[22] Filed: **Sep. 16, 1994**

Related U.S. Application Data

[63] Continuation-in-part of Ser. No. 7,828, Apr. 30, 1993, Pat. No. Des. 357,395.

[52] **U.S. Cl.** **D8/93**

[58] **Field of Search** D8/63, 90, 91, D8/92, 93; 76/82, 86, 88; 451/262, 267, 293, 540, 548, 549, 552, 555, 558, 559

[56] References Cited

U.S. PATENT DOCUMENTS

D. 149,342	4/1948	Davis	D8/93
D. 183,530	9/1958	Lamb	D8/93
D. 184,423	2/1959	Curley, Sr.	D8/93
D. 269,940	8/1983	Hirosawa	D8/93
D. 276,886	12/1984	Carter	D8/93
D. 299,306	1/1989	Priadle	D8/93

D. 309,414	7/1990	Shimizu	D8/93
D. 309,415	7/1990	Shimizu	D8/93
D. 315,663	3/1991	Dolbosco	D8/93
D. 331,688	12/1992	Busso	D8/63
D. 342,003	12/1993	Friel et al.	D8/63
4,502,254	3/1985	Carter	76/88

FOREIGN PATENT DOCUMENTS

9002744.2	4/1990	Germany	.
248762	3/1964	Japan	.

Primary Examiner—Philip S. Hyder
Attorney, Agent, or Firm—Connolly & Hutz

[57] CLAIM

The ornamental design for a knife sharpener, as shown and described.

DESCRIPTION

FIG. 1 is a left side elevational view of a knife sharpener in accordance with this design, the right side elevational view is a mirror image thereof;

FIG. 2 is a top plan view thereof;

FIG. 3 is a bottom plan view thereof;

FIG. 4 is a front elevational view thereof; and,

FIG. 5 is rear elevational view thereof.

1 Claim, 1 Drawing Sheet

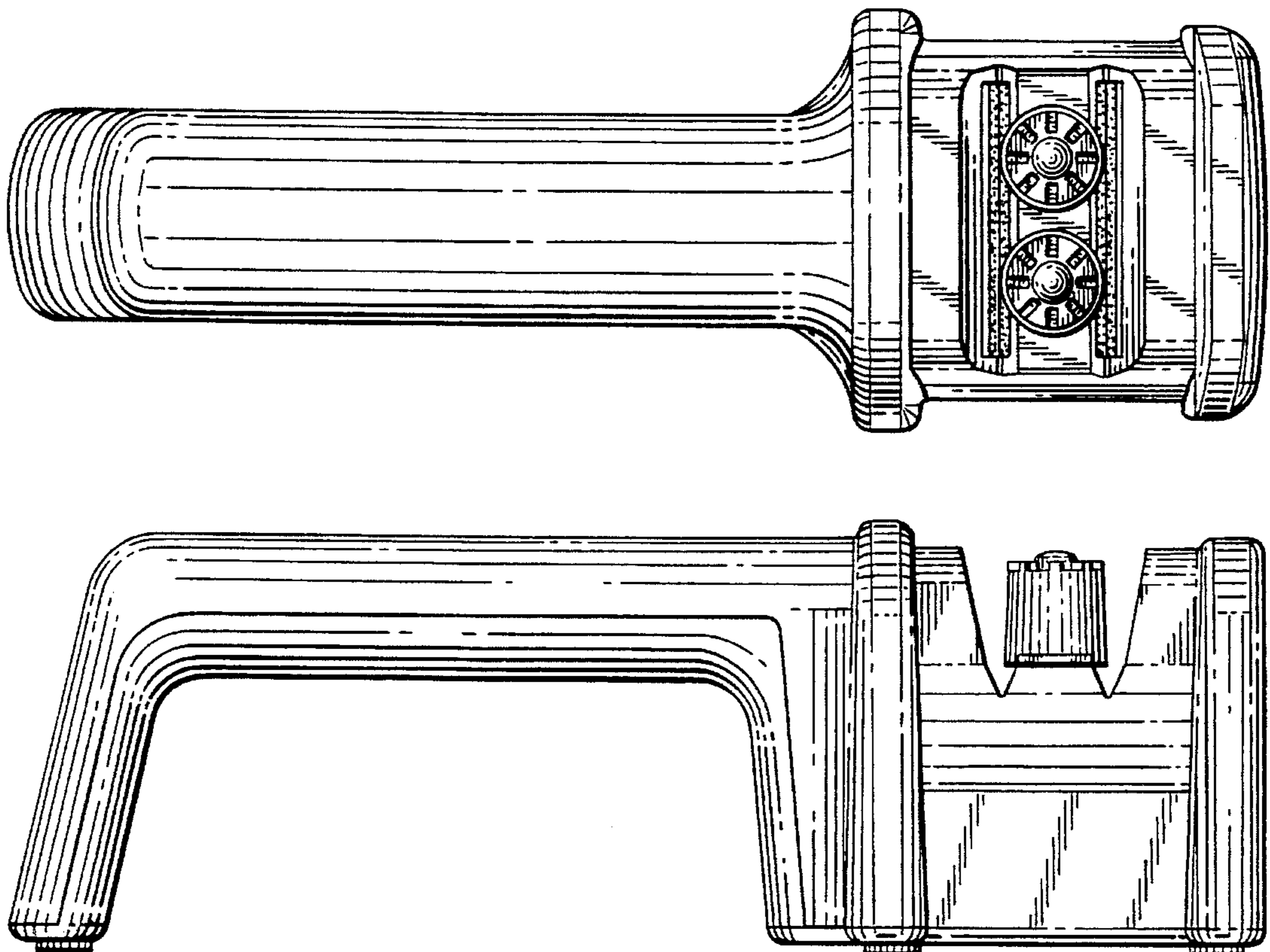


Fig. 2.

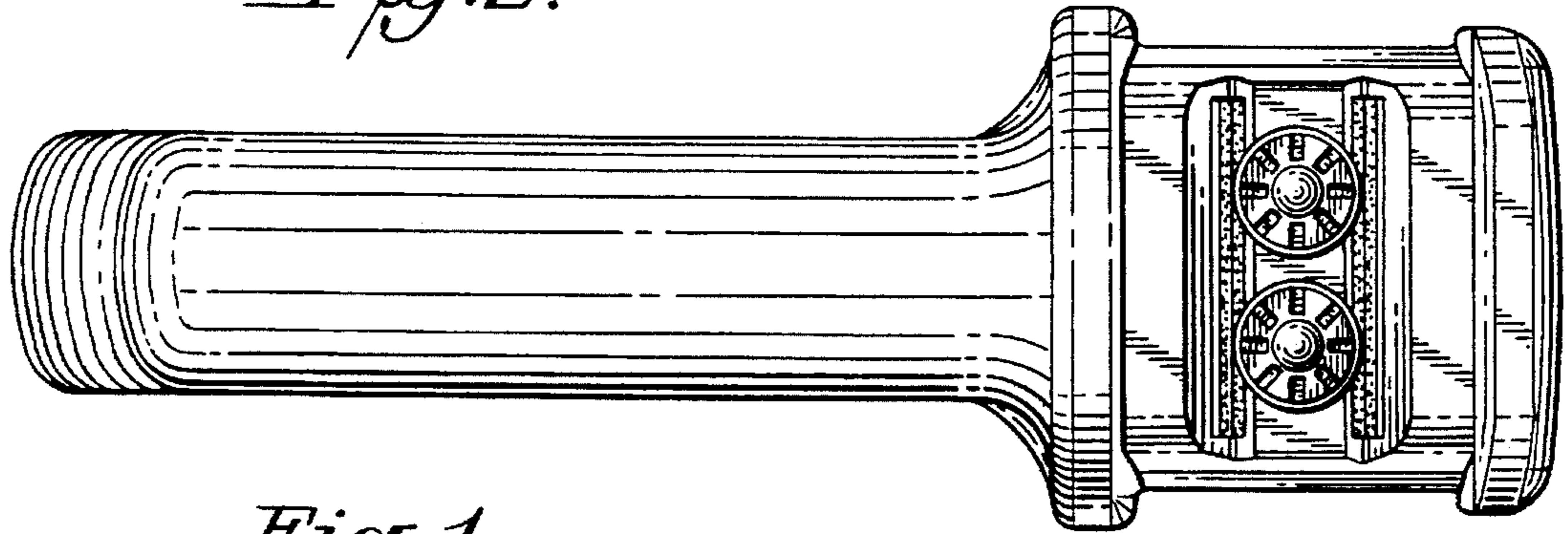


Fig. 1.

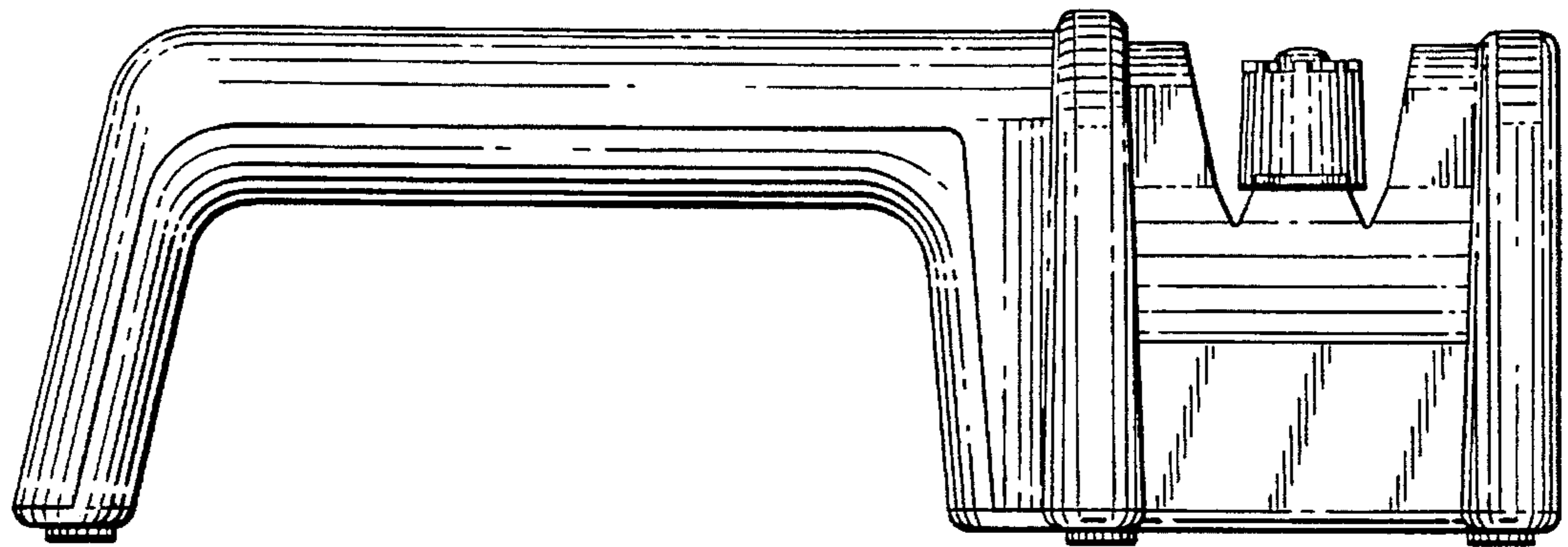


Fig. 3.

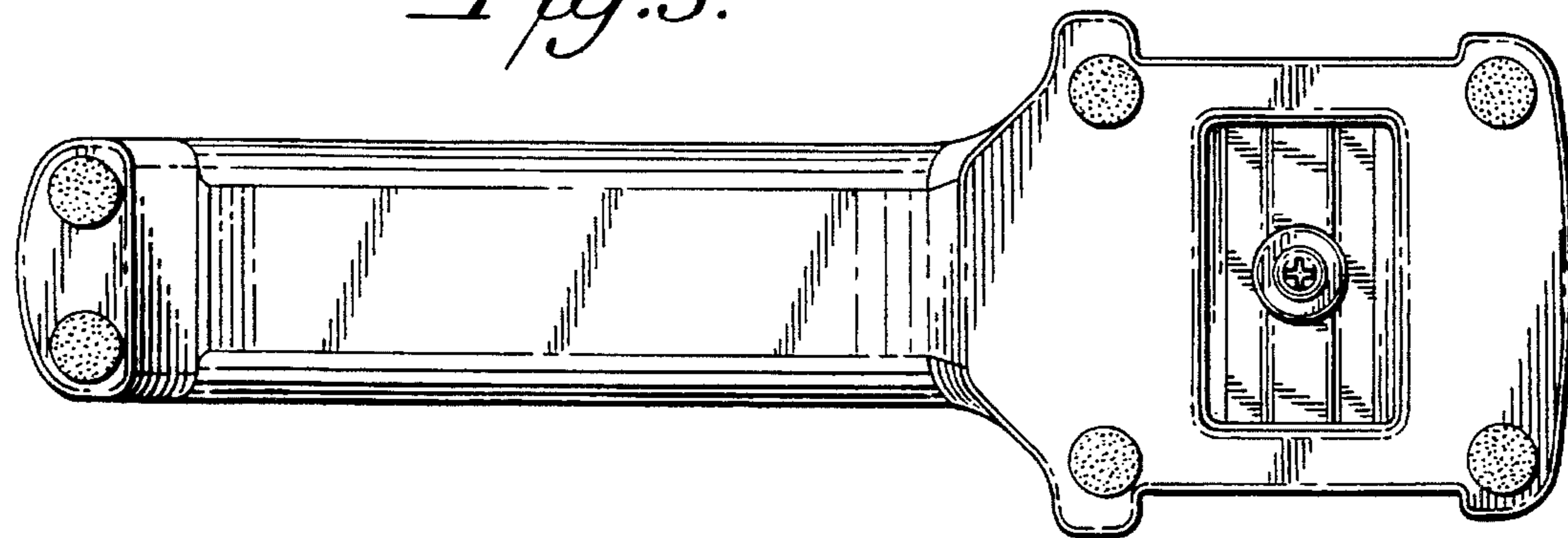


Fig. 4.

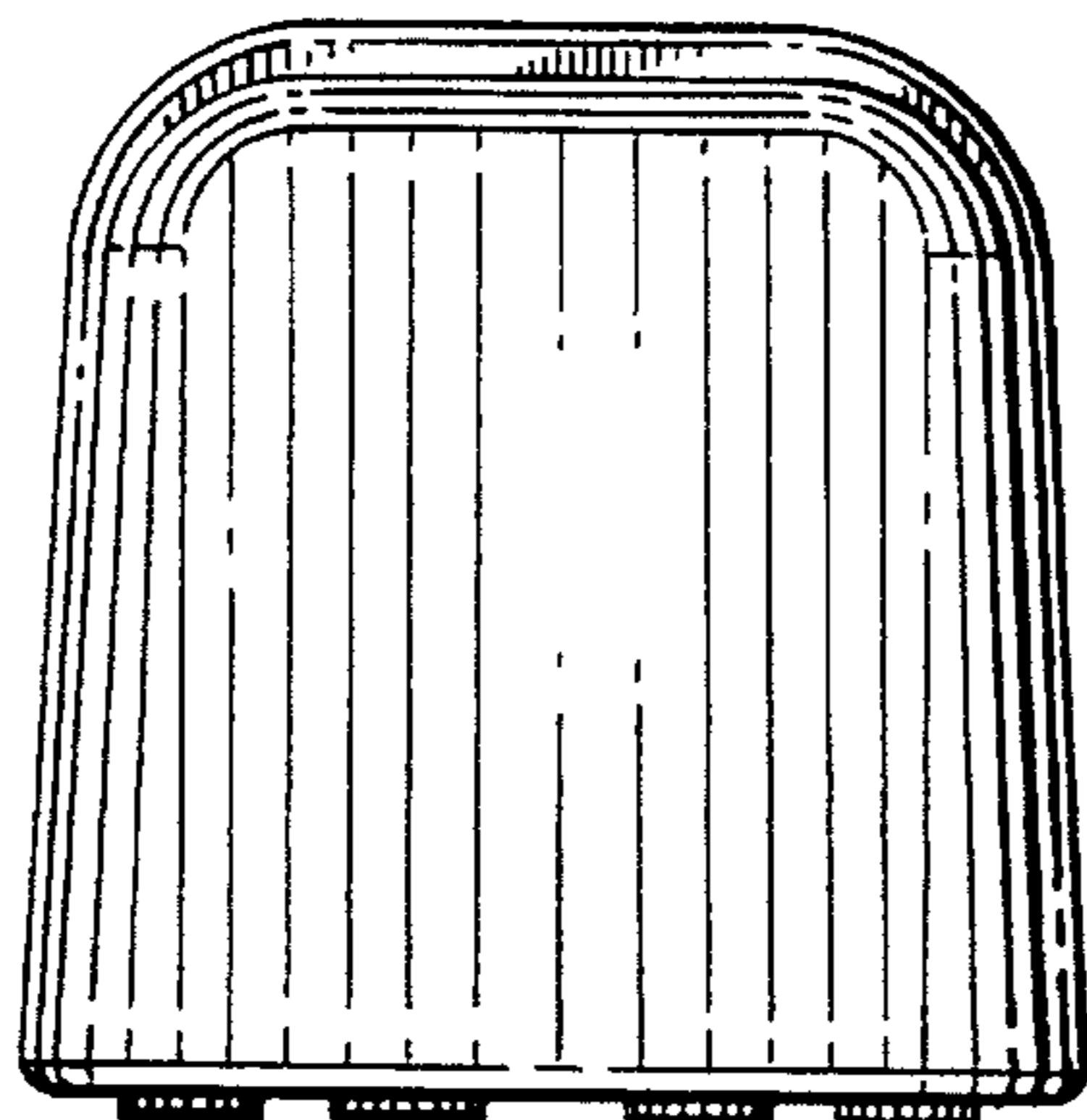


Fig. 5.

