



US00D368216S

**United States Patent** [19]  
**Hattori**

[11] **Patent Number: Des. 368,216**

[45] **Date of Patent: \*\*Mar. 26, 1996**

[54] **PNEUMATIC NAILING MACHINE**  
[75] **Inventor: Takeo Hattori, Tokyo, Japan**  
[73] **Assignee: Max Co., Ltd., Tokyo, Japan**  
[\*\*] **Term: 14 Years**

*Primary Examiner—Antoine Duval Davis*  
*Attorney, Agent, or Firm—Cushman Darby & Cushman*

[57] **CLAIM**

The ornamental design for a pneumatic nailing machine, as shown and described.

**DESCRIPTION**

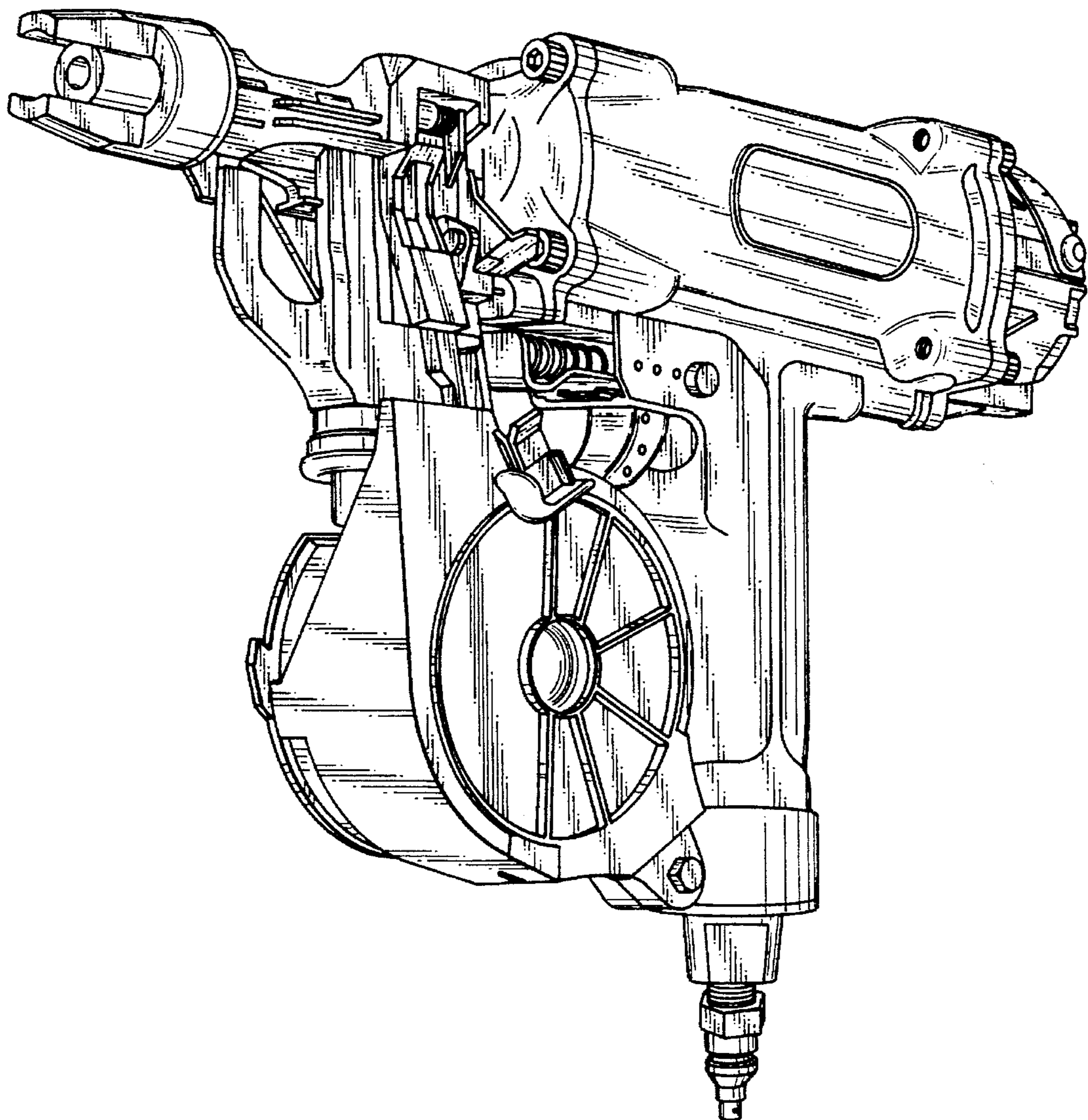
FIG. 1 is a front perspective view of a pneumatic nailing machine showing my new design;  
FIG. 2 is a front view thereof;  
FIG. 3 is a rear view thereof;  
FIG. 4 is a top plan view thereof;  
FIG. 5 is a bottom view thereof;  
FIG. 6 is a left side view thereof; and,  
FIG. 7 is a right side view thereof.

[21] **Appl. No.: 35,031**  
[22] **Filed: Feb. 17, 1995**  
[52] **U.S. Cl. .... D8/68; D8/61**  
[58] **Field of Search ..... D8/61, 68; 227/8, 227/113-115, 130**

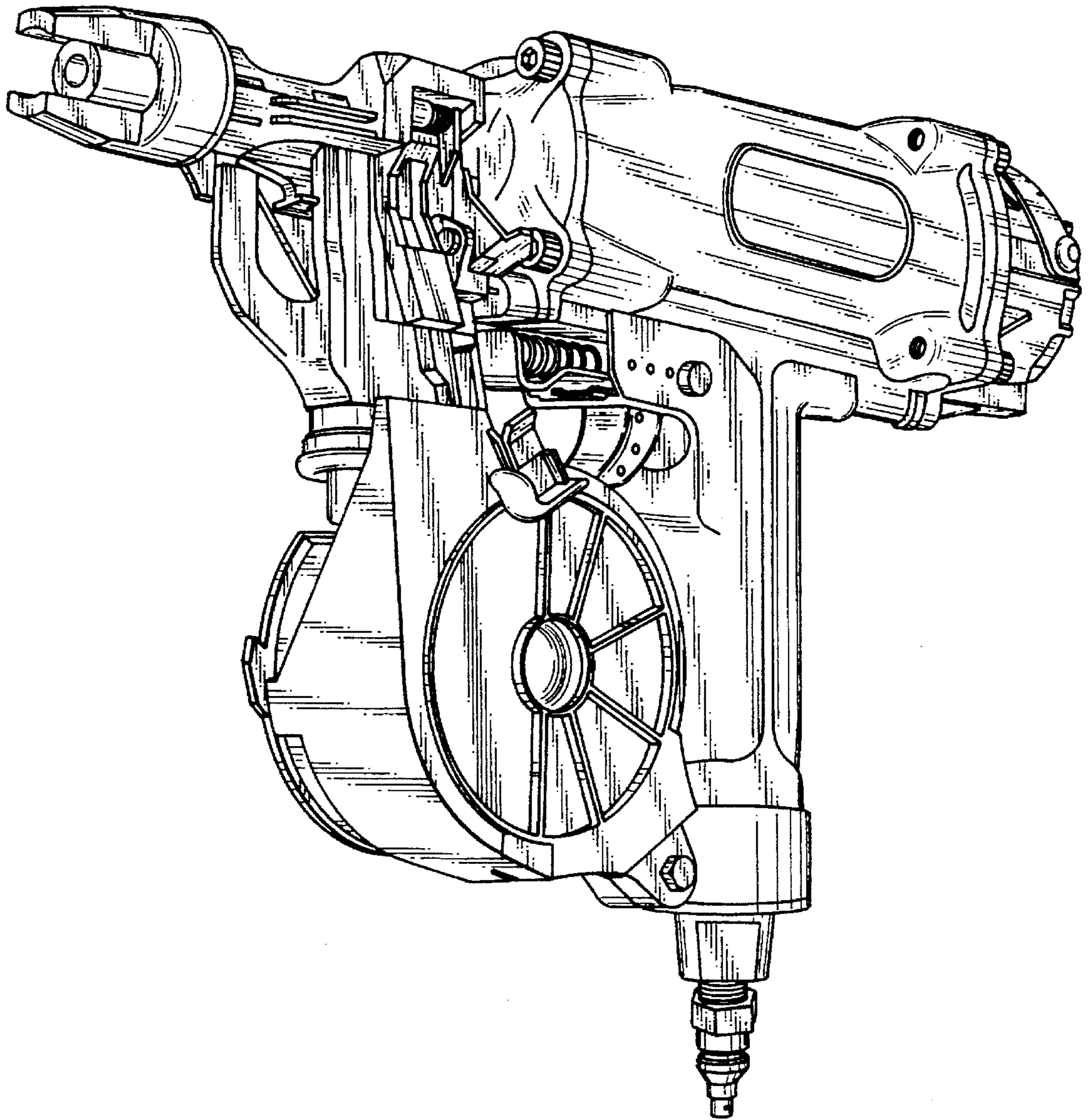
[56] **References Cited**  
**U.S. PATENT DOCUMENTS**

D. 334,329 3/1993 Ogawa et al. .... D8/68  
5,020,712 6/1991 Monacelli ..... 227/120

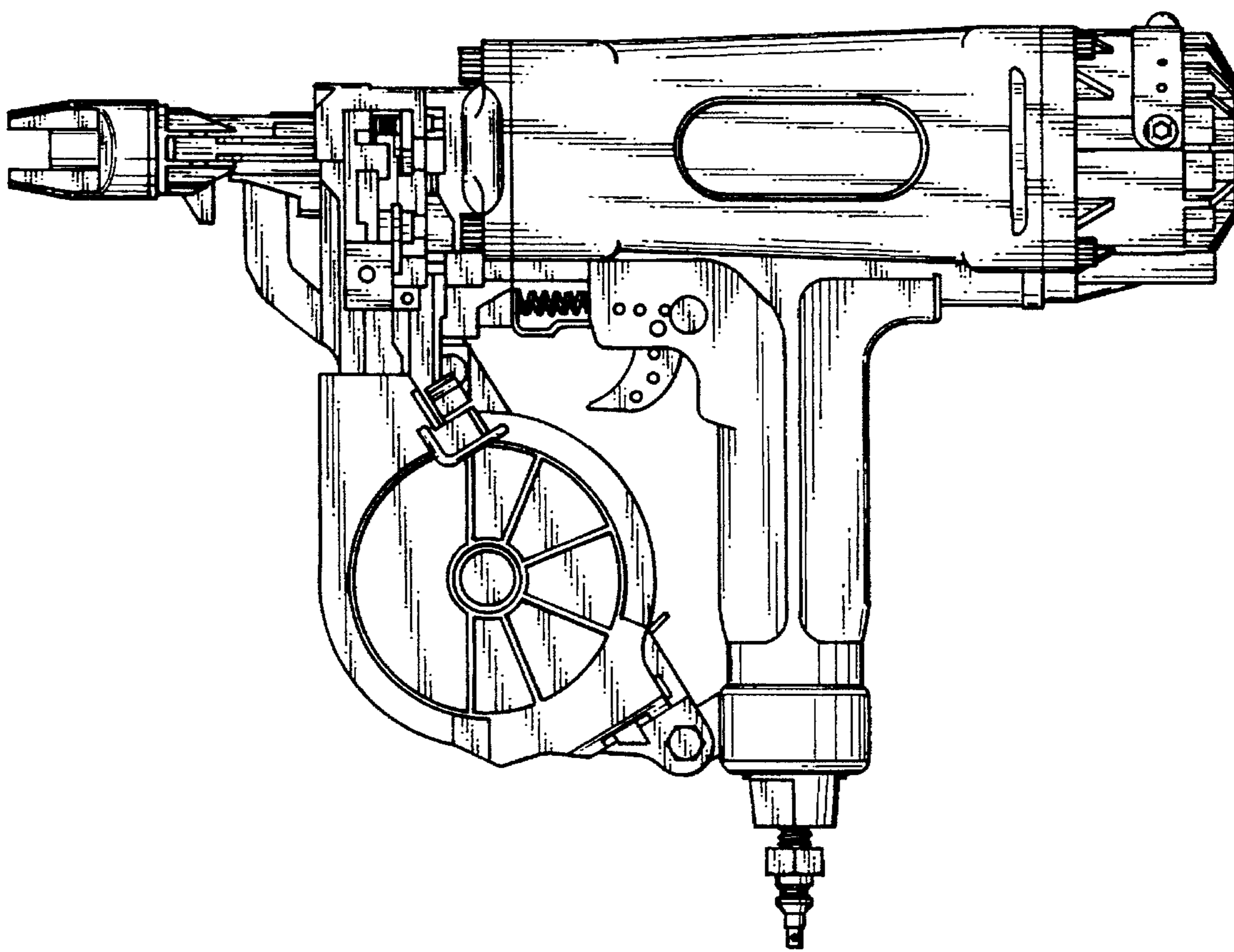
**1 Claim, 5 Drawing Sheets**



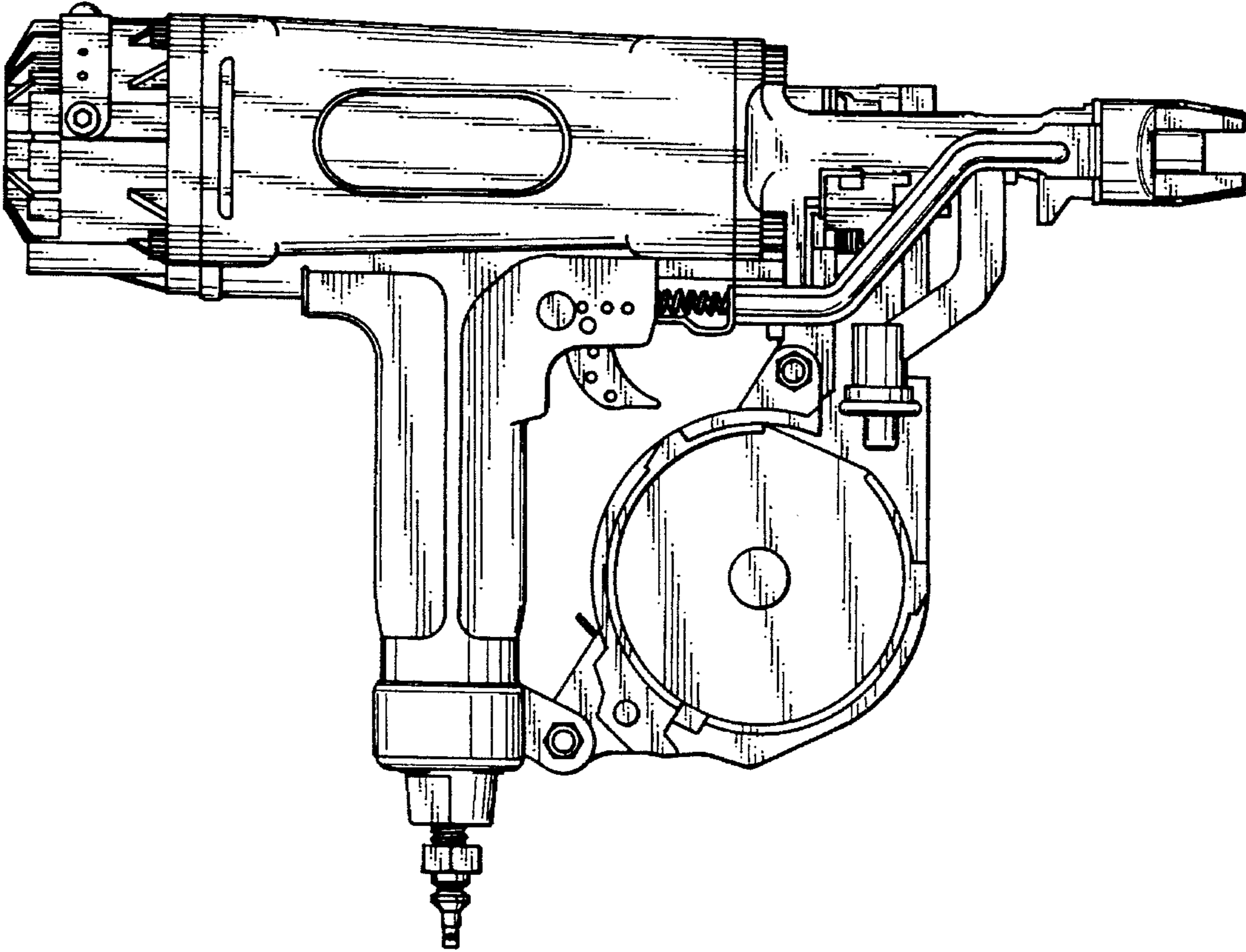
*Fig. 1*



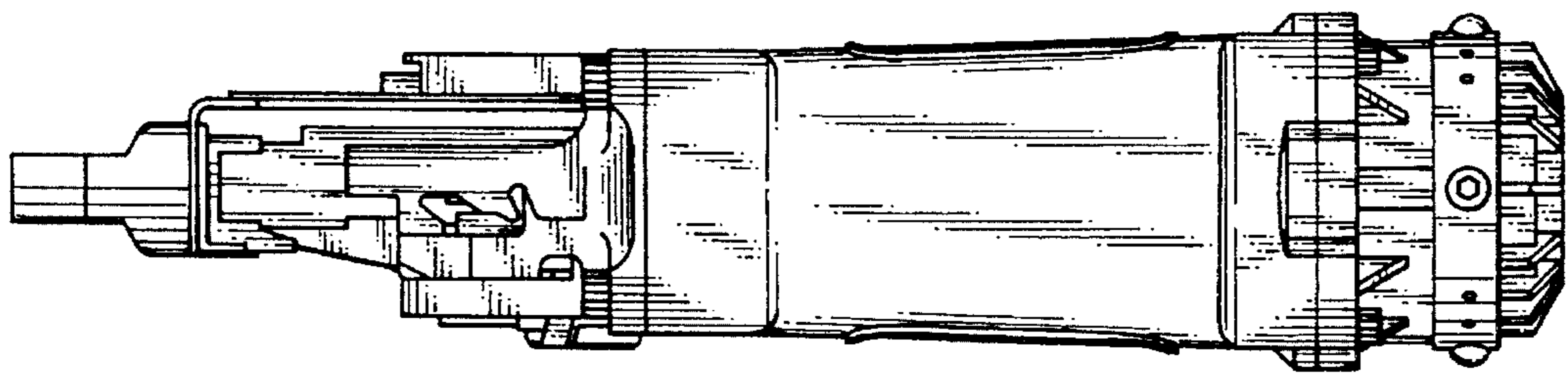
*Fig. 2*



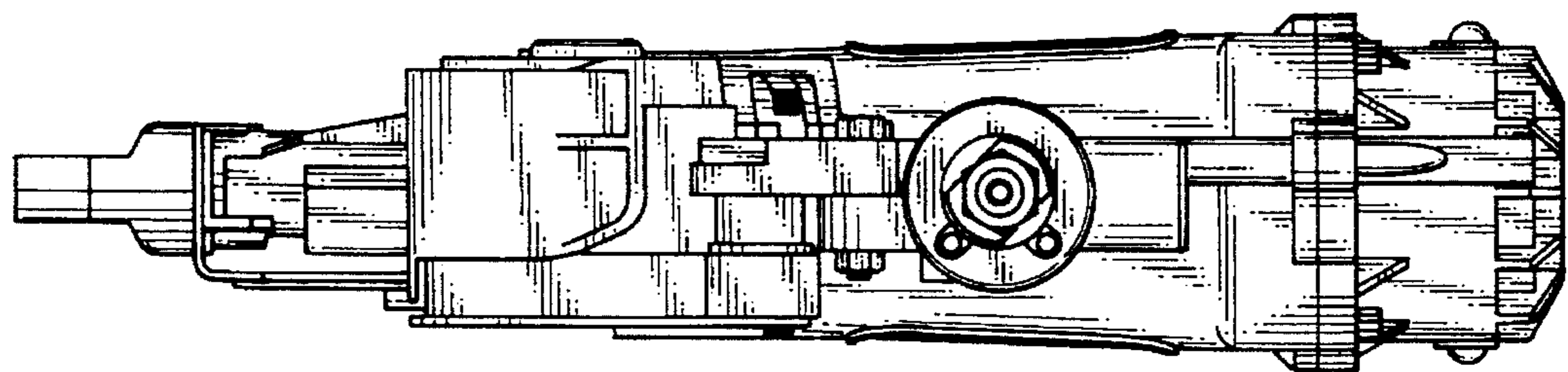
*Fig. 3*



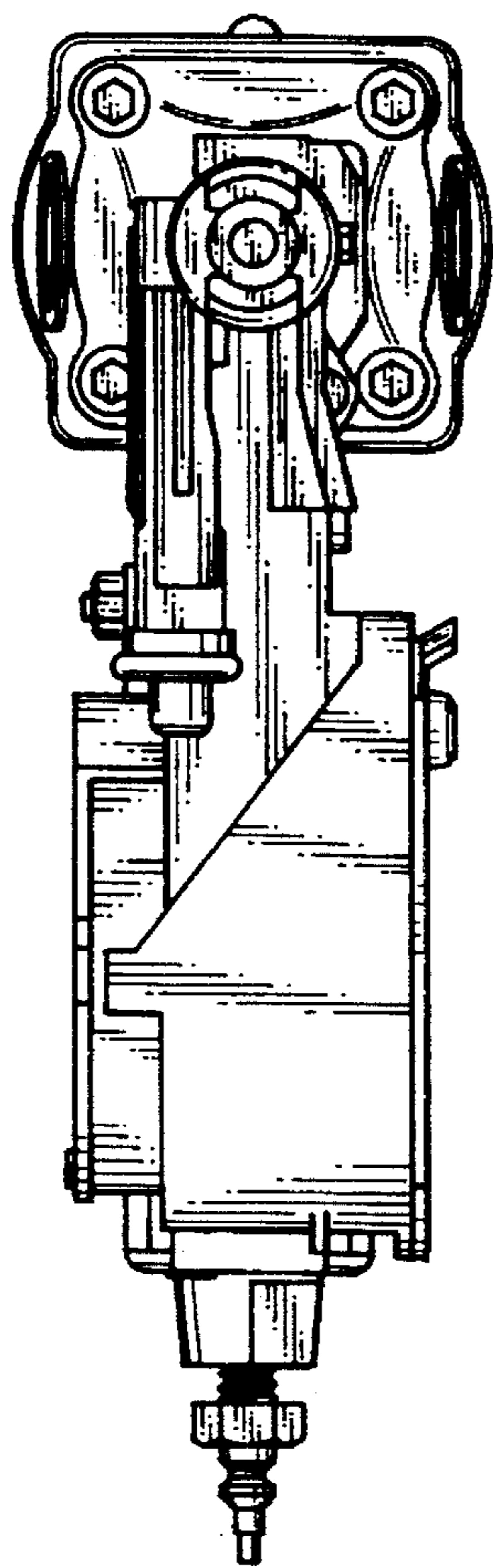
*Fig. 4*



*Fig. 5*



*Fig. 6*



*Fig. 7*

