



US00D368215S

United States Patent [19]
Dye

[11] **Patent Number: Des. 368,215**

[45] **Date of Patent: **Mar. 26, 1996**

[54] **DISPENSER FOR FOAMABLE COMPOSITIONS**

[75] Inventor: **Noelle M. Dye**, Charlestown, Mass.

[73] Assignee: **Sealed Air Corporation**, Saddle Brook, N.J.

[**] Term: **14 Years**

[21] Appl. No.: **32,572**

[22] Filed: **Dec. 21, 1994**

[52] **U.S. Cl.** **D8/68**

[58] **Field of Search** D8/61, 68; 366/144, 366/159.1; 165/104.34; 222/402.13, 402.24

[56] **References Cited**

U.S. PATENT DOCUMENTS

D. 294,001 2/1988 Greenlee et al. D8/68

D. 341,760 11/1993 Armbruster et al. D8/68

Primary Examiner—Antoine Duval Davis

Attorney, Agent, or Firm—Bell, Seltzer, Park & Gibson

[57] **CLAIM**

The ornamental design for a dispenser for foamable compositions, as shown.

DESCRIPTION

FIG. 1 is a perspective view of the dispenser for foamable compositions;

FIG. 2 is a side elevational view of the dispenser for foamable compositions;

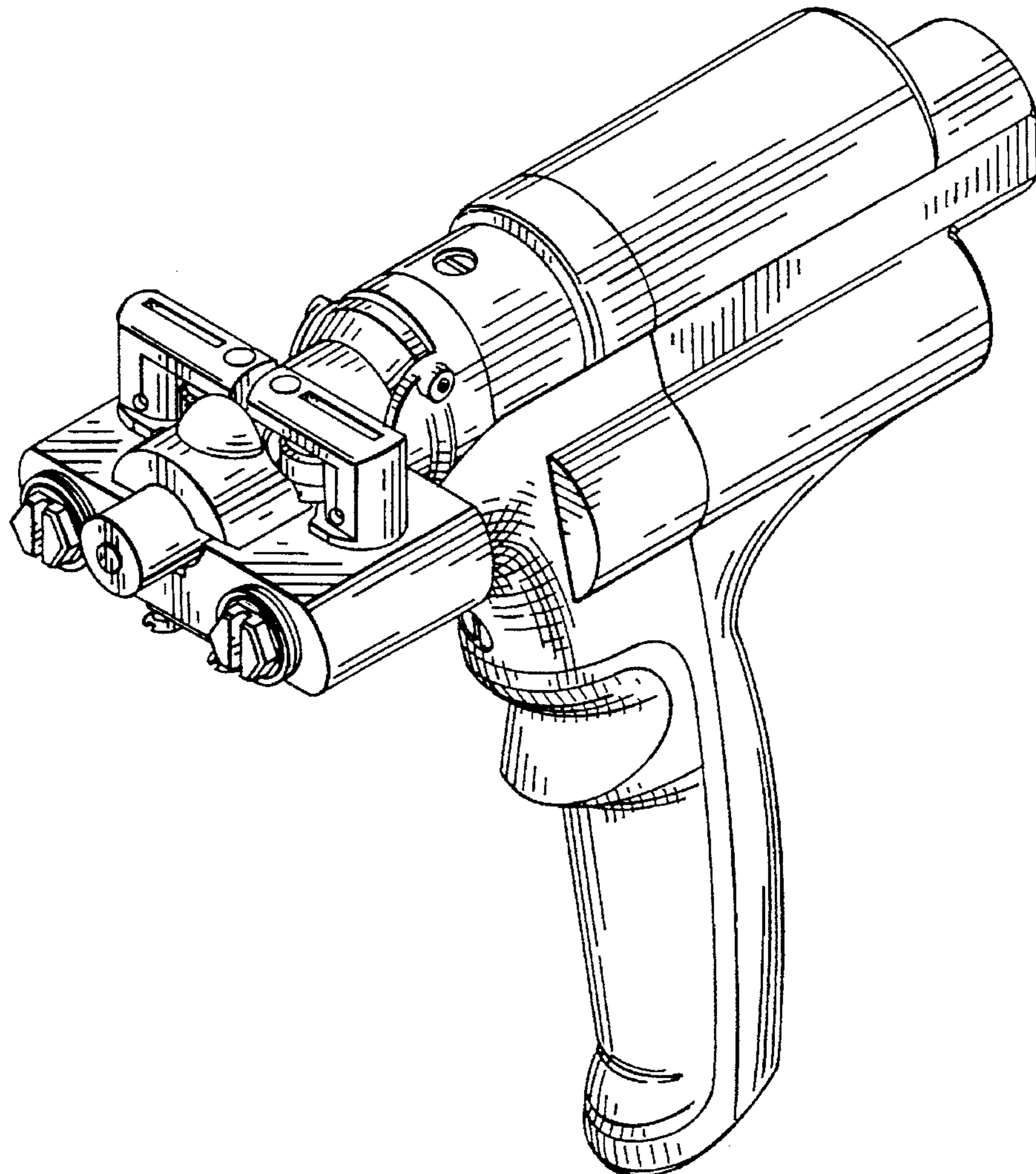
FIG. 3 is a front elevational view of the dispenser for foamable compositions;

FIG. 4 is a bottom plan view of the dispenser for foamable compositions;

FIG. 5 is a rear elevational view of the dispenser for foamable compositions; and,

FIG. 6 is a top plan view of the dispenser for foamable compositions.

1 Claim, 3 Drawing Sheets



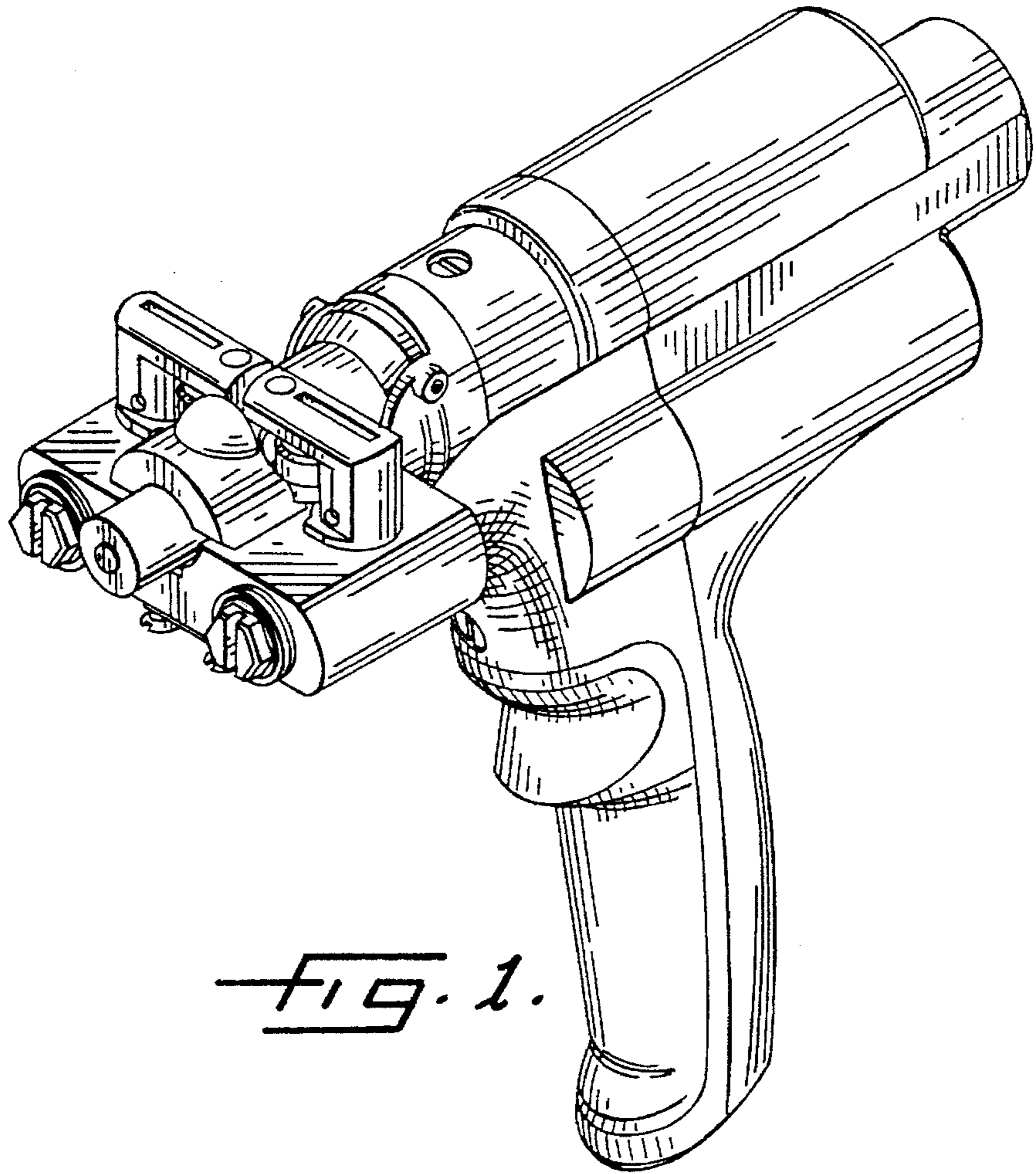


FIG. 1.

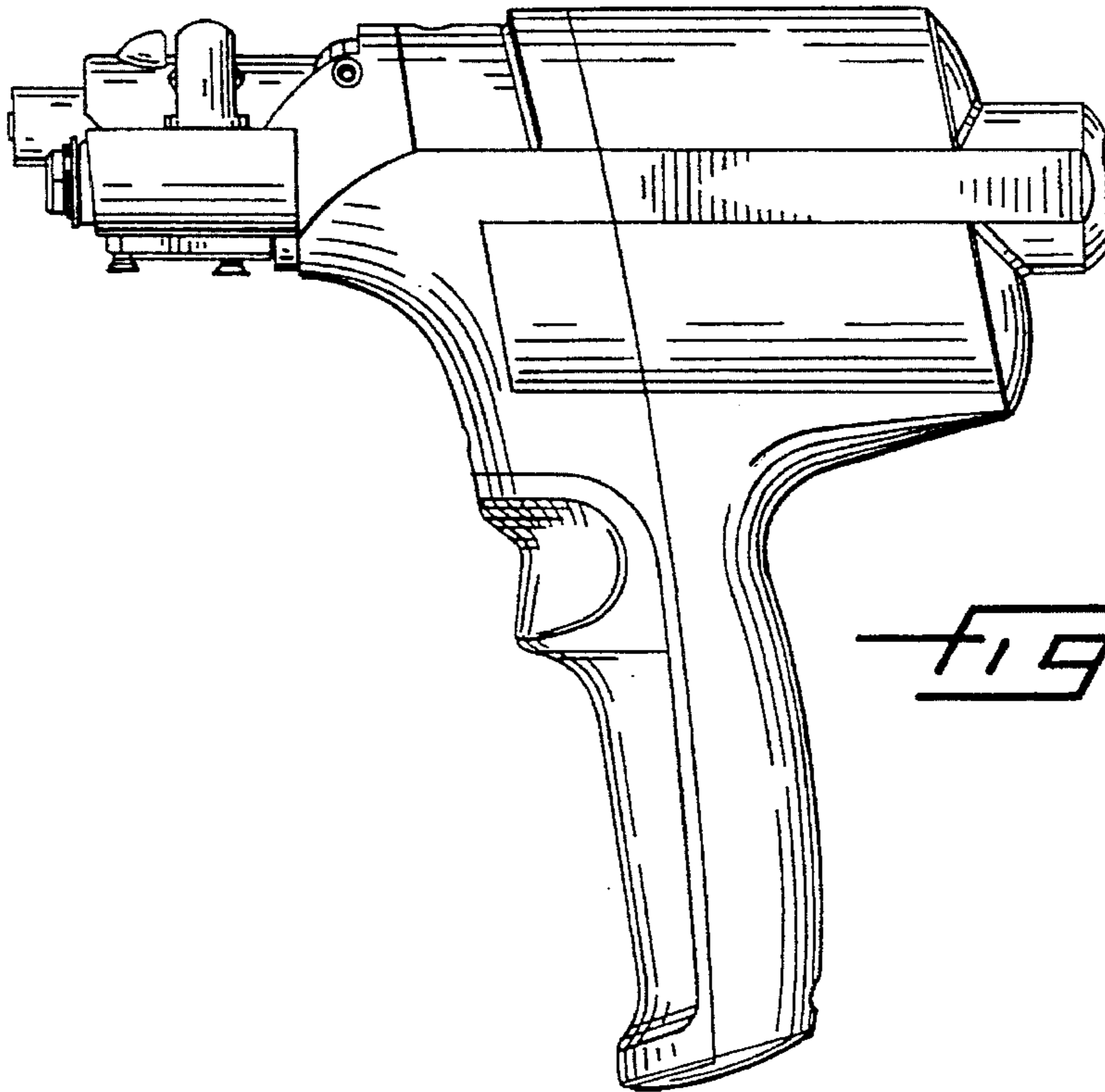


FIG. 2.

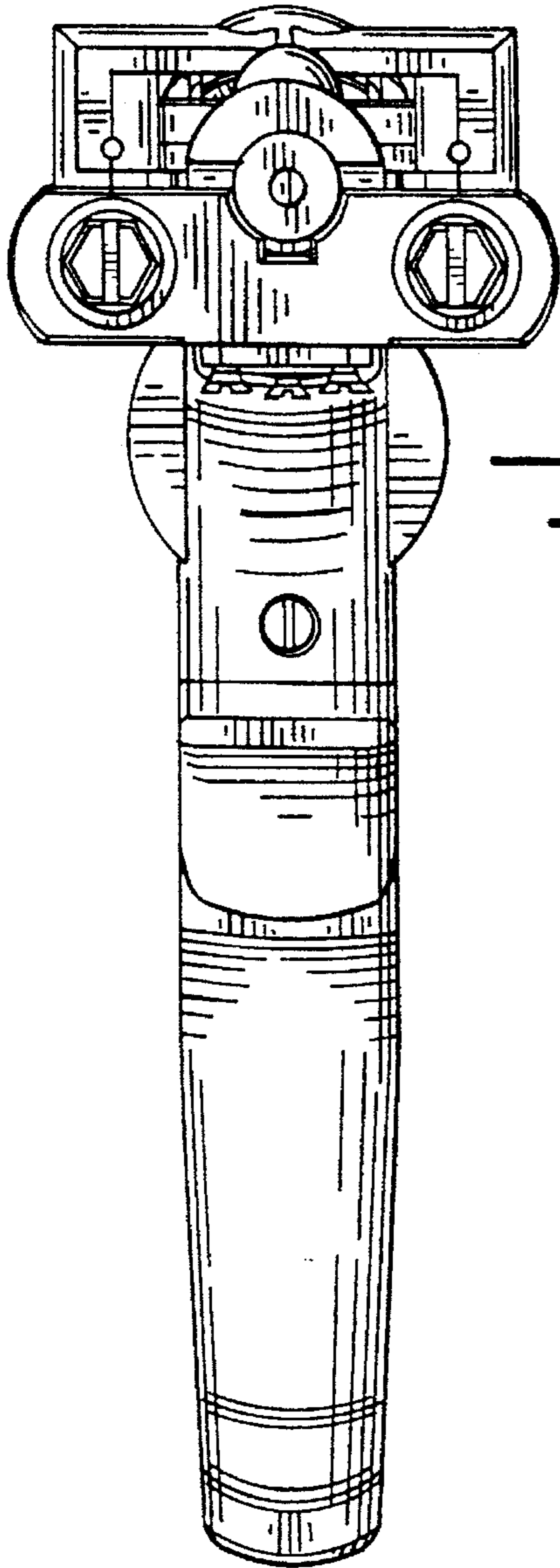


FIG. 3.

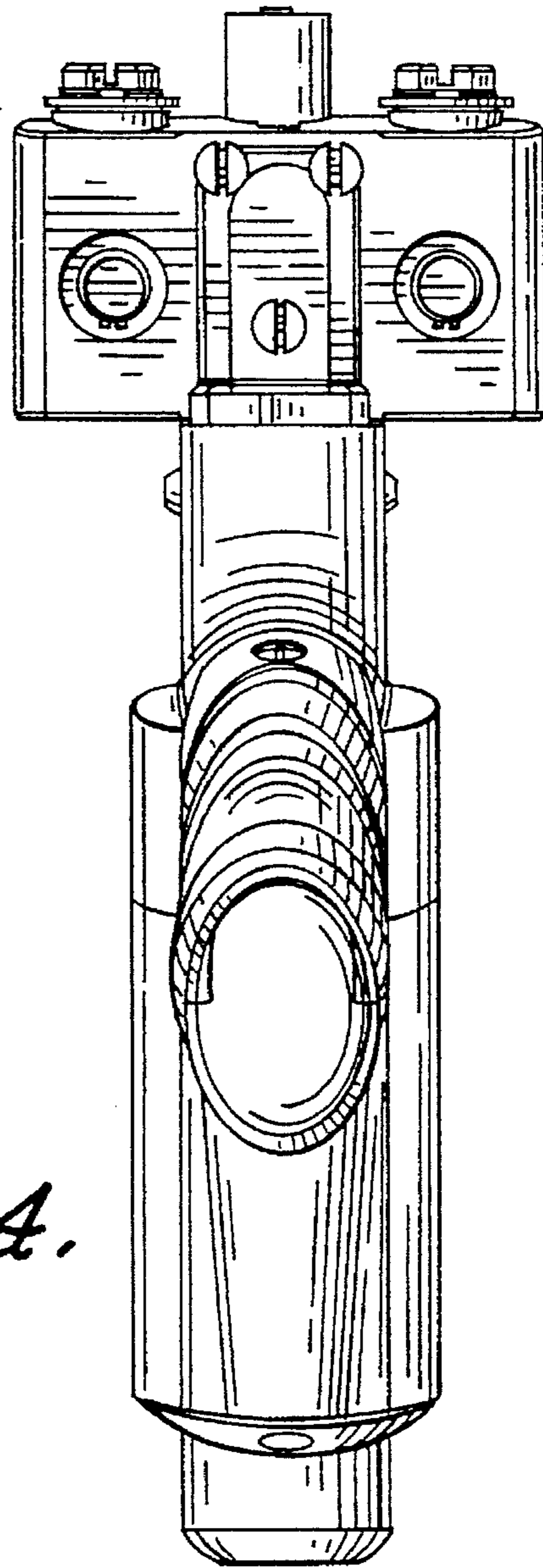


FIG. 4.

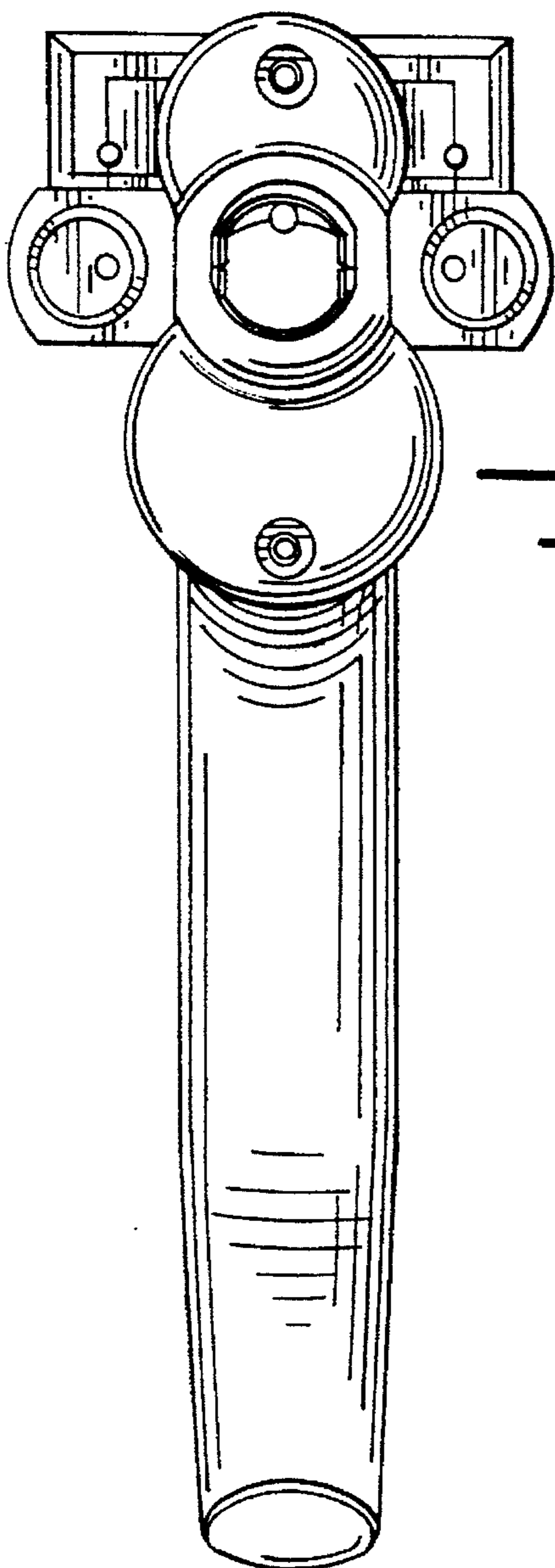


FIG. 5.

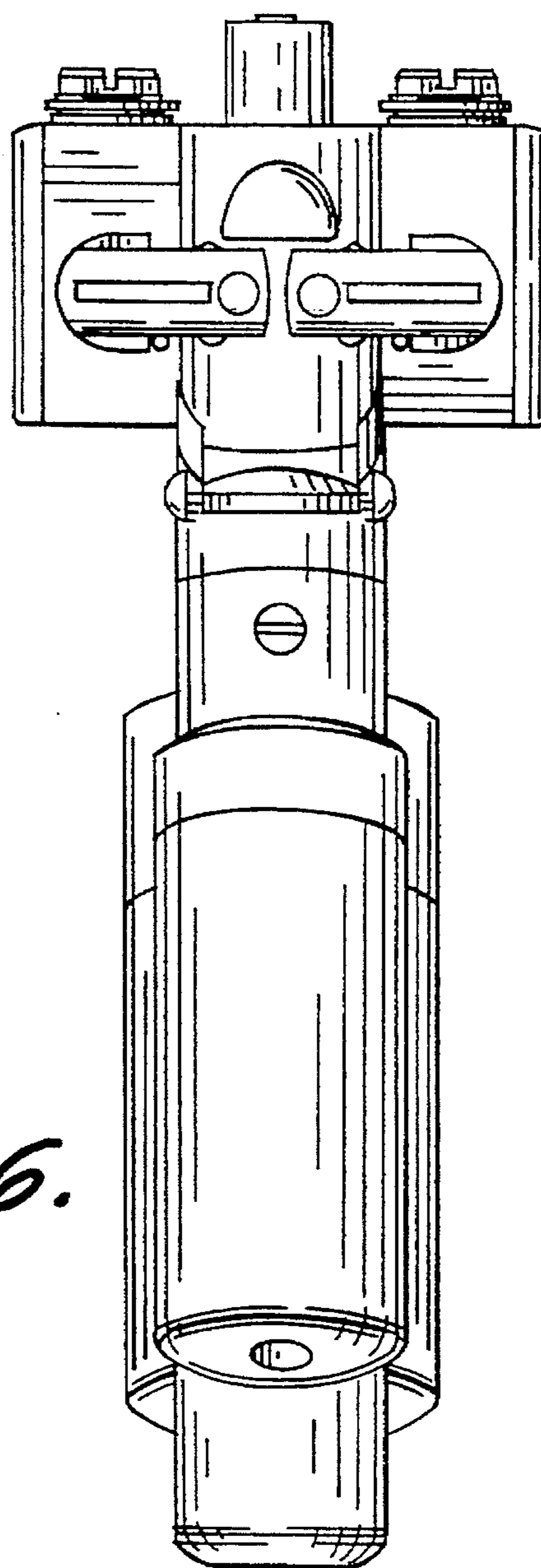


FIG. 6.