



US00D368211S

United States Patent [19] Sköld

[11] Patent Number: **Des. 368,211**

[45] Date of Patent: ****Mar. 26, 1996**

[54] **COMPOST AERATOR**

[75] Inventor: **Björn-Åke Sköld**, Norrköping, Sweden

[73] Assignee: **Bjorn-Ake Skold Design AB**,
Norrkoping, Sweden

[**] Term: **14 Years**

[21] Appl. No.: **28,507**

[22] Filed: **Sep. 16, 1994**

[30] Foreign Application Priority Data

Mar. 16, 1994 [SE] Sweden 94-0623

[52] U.S. Cl. **D8/1**

[58] Field of Search D8/1, 7, 9, 10;
172/21, 72, 25; 175/394; 294/49

[56] References Cited

U.S. PATENT DOCUMENTS

264,196	9/1882	Rainey	175/394
651,607	6/1900	Lovering	175/394 X
946,060	1/1910	Looker	175/394 X
4,074,780	2/1978	Gilbert	175/394 X
4,488,605	12/1984	Ruppel et al.	175/394 X

Primary Examiner—A. Hugo Word
Assistant Examiner—Holly Baynham
Attorney, Agent, or Firm—Shapiro and Shapiro

[57] CLAIM

The ornamental design for a compost aerator, as shown and described.

DESCRIPTION

FIG. 1 is a front elevation view of a compost aerator showing my new design;

FIG. 2 is a rear elevation view thereof;

FIG. 3 is a left side elevation view thereof;

FIG. 4 is a right side elevation view thereof;

FIG. 5 is a bottom, front, perspective view thereof;

FIG. 6 is a top, rear, perspective view thereof;

FIG. 7 is a sectional view taken along line 7—7 of FIG. 1;

FIG. 8 is a sectional view taken along line 8—8 of FIG. 1;

FIG. 9 is a sectional view taken along line 9—9 of FIG. 1;

and,

FIG. 10 is a sectional view taken along line 10—10 of FIG. 1.

1 Claim, 6 Drawing Sheets

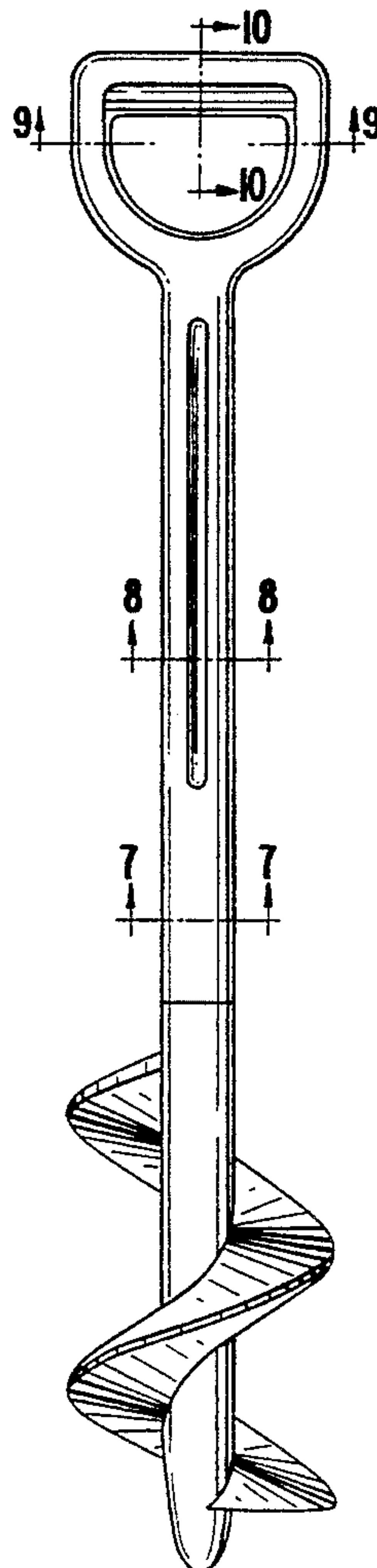


FIG. 1

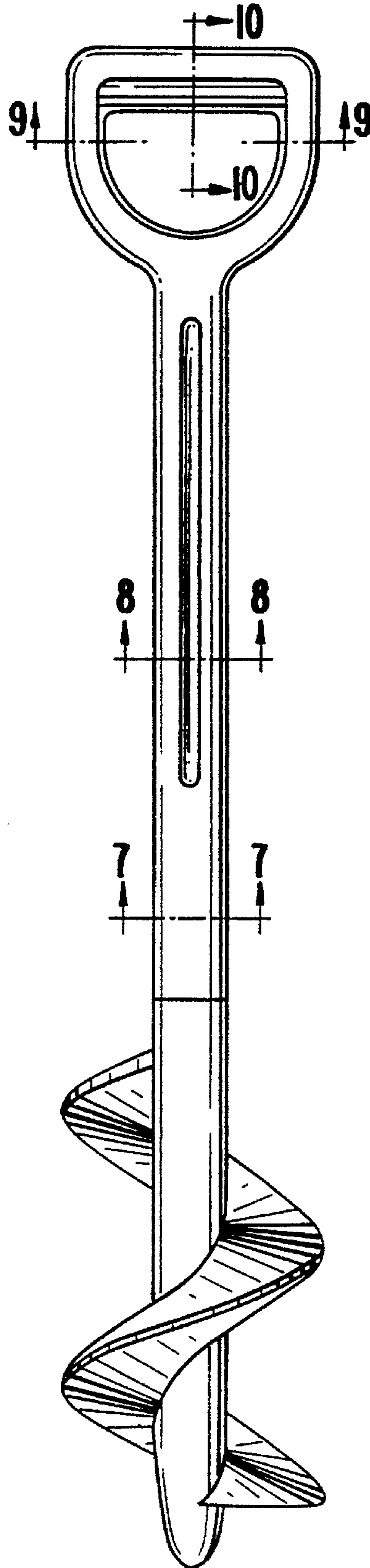


FIG. 9

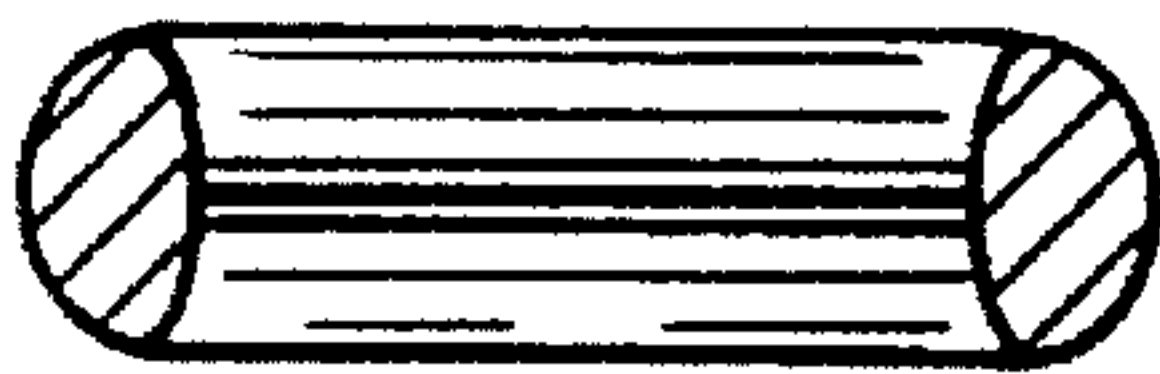


FIG. 8



FIG. 10



FIG. 7



FIG. 2

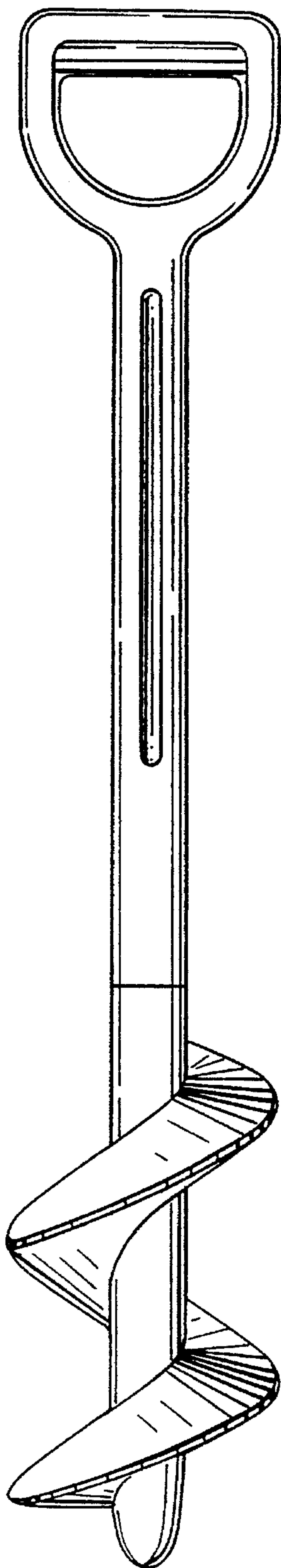


FIG. 3

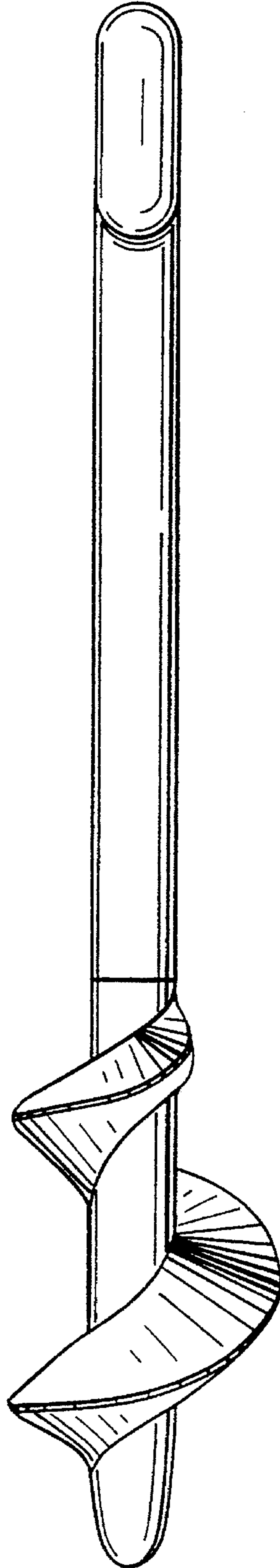


FIG. 4

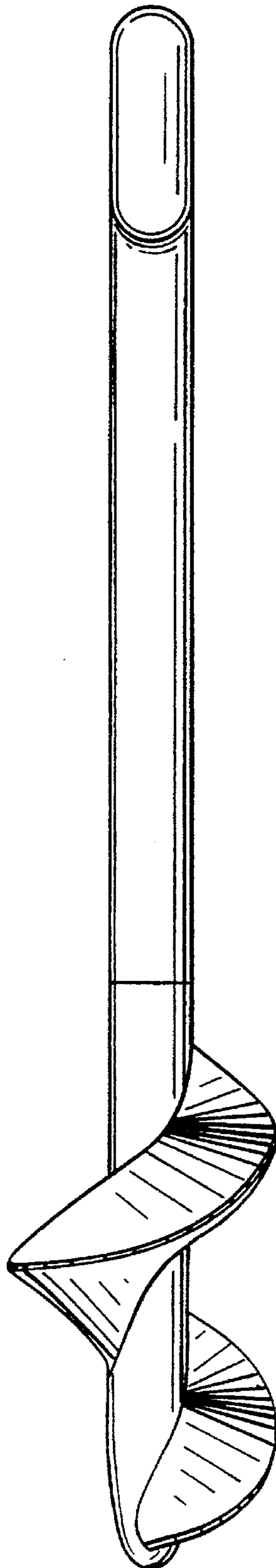


FIG. 5

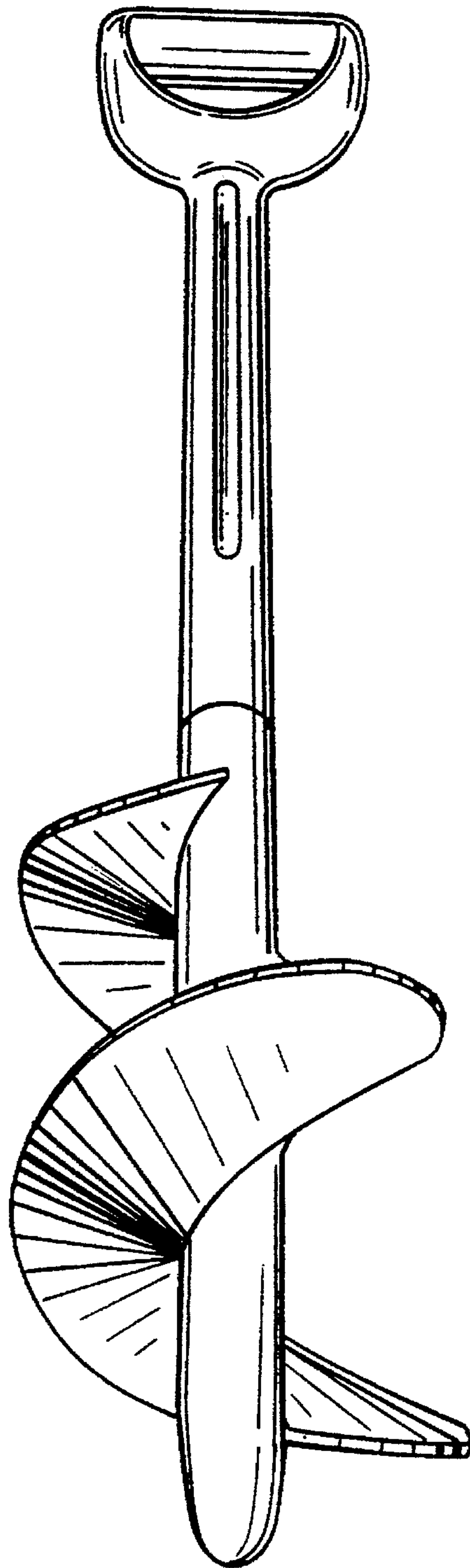


FIG. 6

