



US00D368208S

United States Patent [19]
Lachapelle

[11] **Patent Number: Des. 368,208**

[45] **Date of Patent: **Mar. 26, 1996**

[54] **HOLDER FOR CHOPSTICKS**

[76] Inventor: **Will Lachapelle**, 2514 25th Ave. West,
Seattle, Wash. 98199

[**] Term: **14 Years**

[21] Appl. No.: **25,966**

[22] Filed: **Jul. 15, 1994**

[52] **U.S. Cl.** **D7/642**

[58] **Field of Search** D7/642, 401.2,
D7/387, 686, 687; 294/1.1, 5.5, 33, 99.2,
118

[56] **References Cited**

U.S. PATENT DOCUMENTS

D. 343,096	1/1994	Lachapelle	D7/642
2,711,339	6/1955	McGogy	294/99.2
3,186,749	6/1965	Dawes	D7/686 X
3,239,262	3/1966	Rines et al.	D7/686 X
3,637,248	1/1972	Arita	D7/686 X
4,721,334	1/1988	Nakatsu	294/99.2

Primary Examiner—Alan P. Douglas
Assistant Examiner—Caron D. Veynar
Attorney, Agent, or Firm—Tom Secret

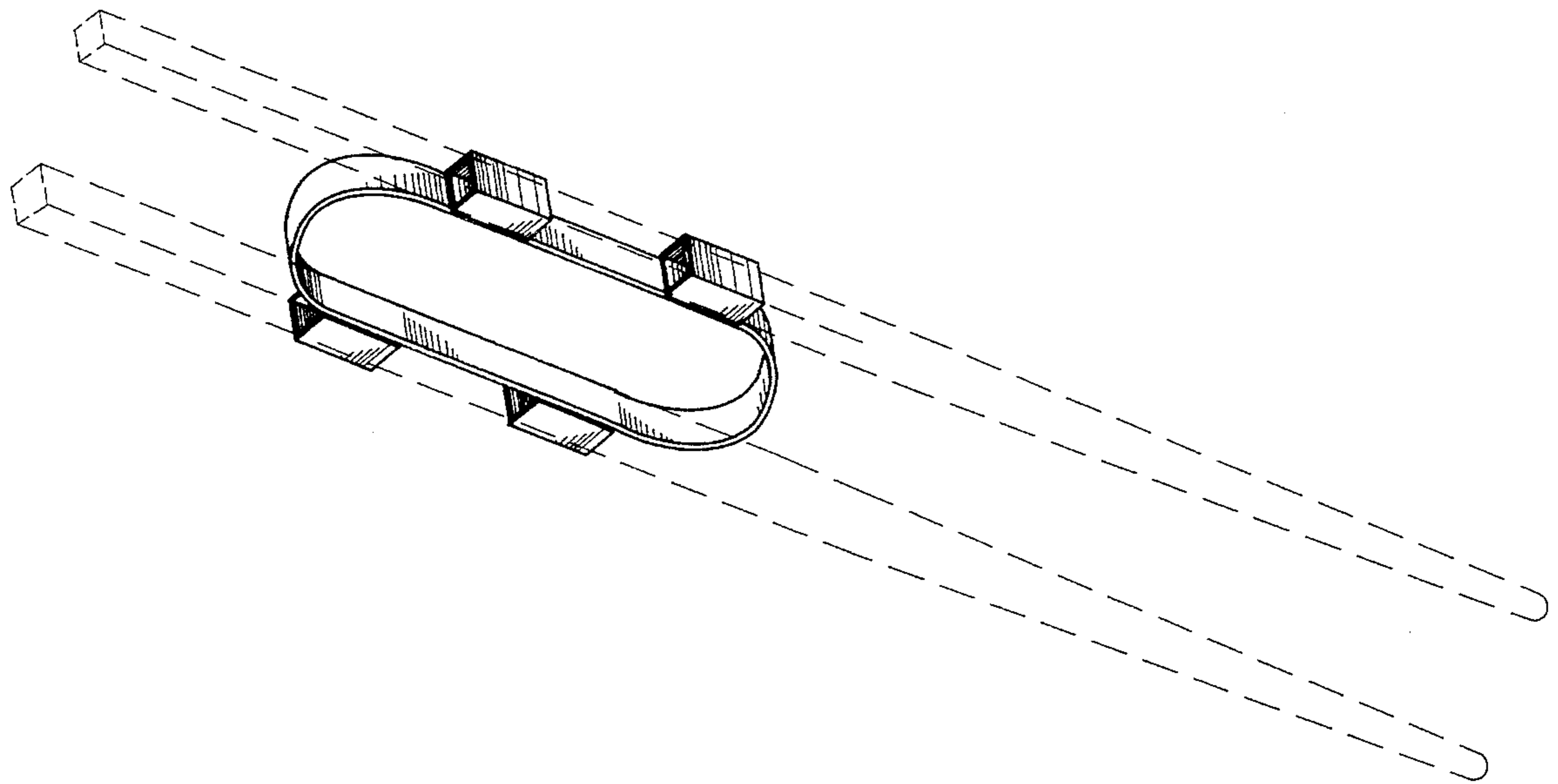
[57] **CLAIM**

The ornamental design for a holder for chopsticks, as shown and described.

DESCRIPTION

FIG. 1 is a perspective view of the holder for chopsticks; FIG. 2 is a side elevational view with the understanding that the other side elevational view is the same; FIG. 3 is a front elevational view of the holder for chopsticks with the understanding that the other side elevational view is the same; FIG. 4 is a top plan view with the understanding that the bottom plan view is the same; FIG. 5 is a perspective view, the broken line showing of chopsticks is environmental only and forms no part of the claimed design.

1 Claim, 2 Drawing Sheets



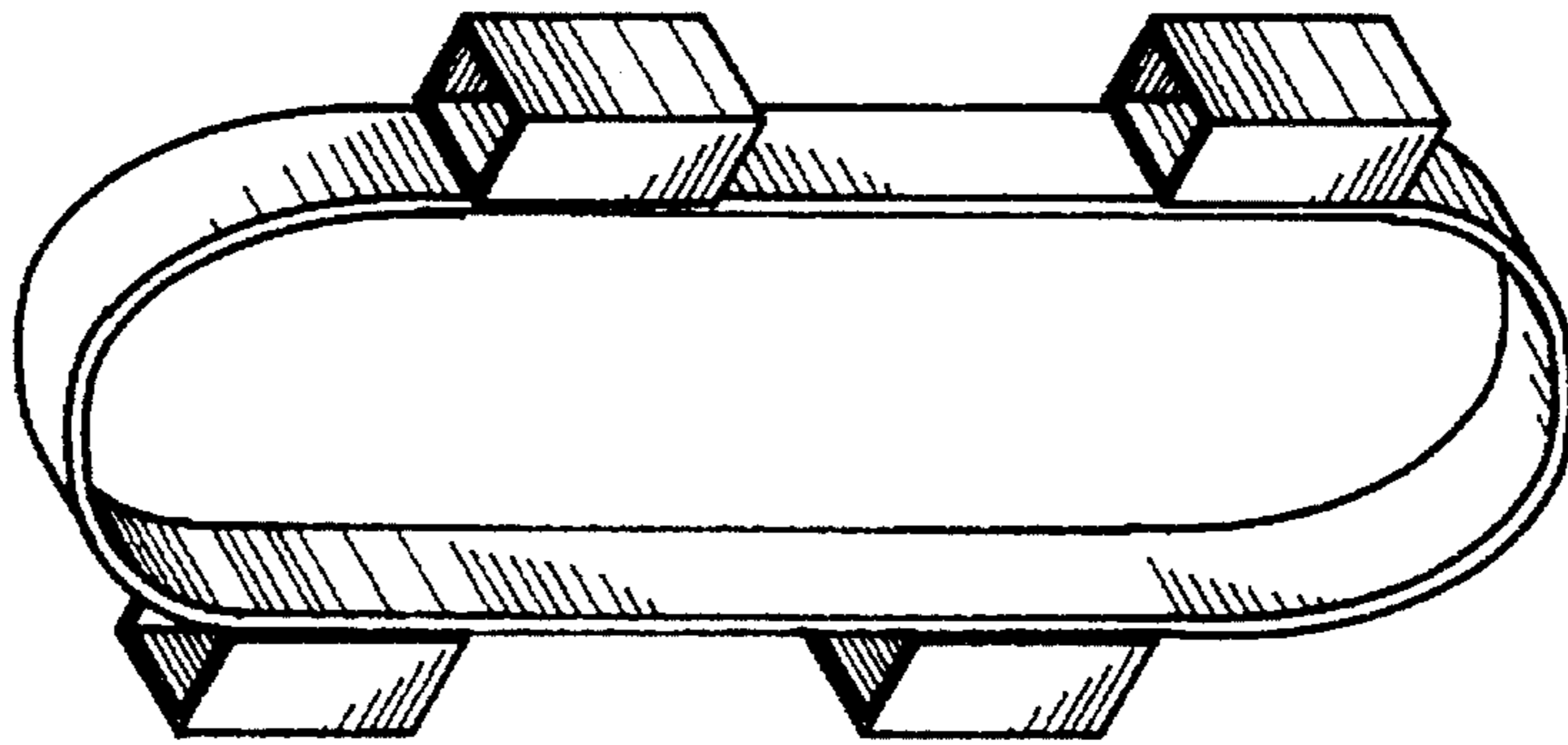


FIG. 1



FIG. 2

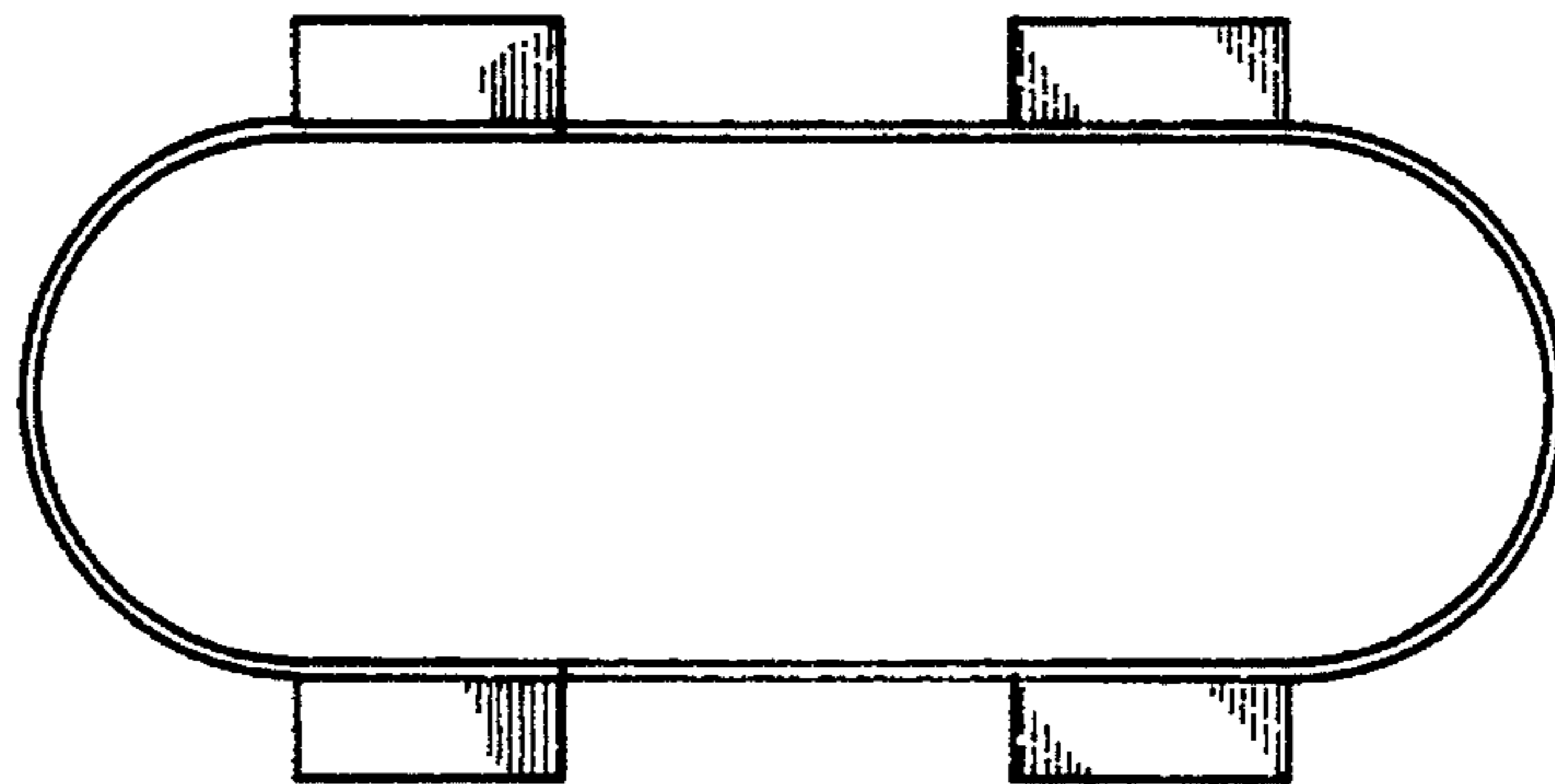


FIG. 3



FIG. 4

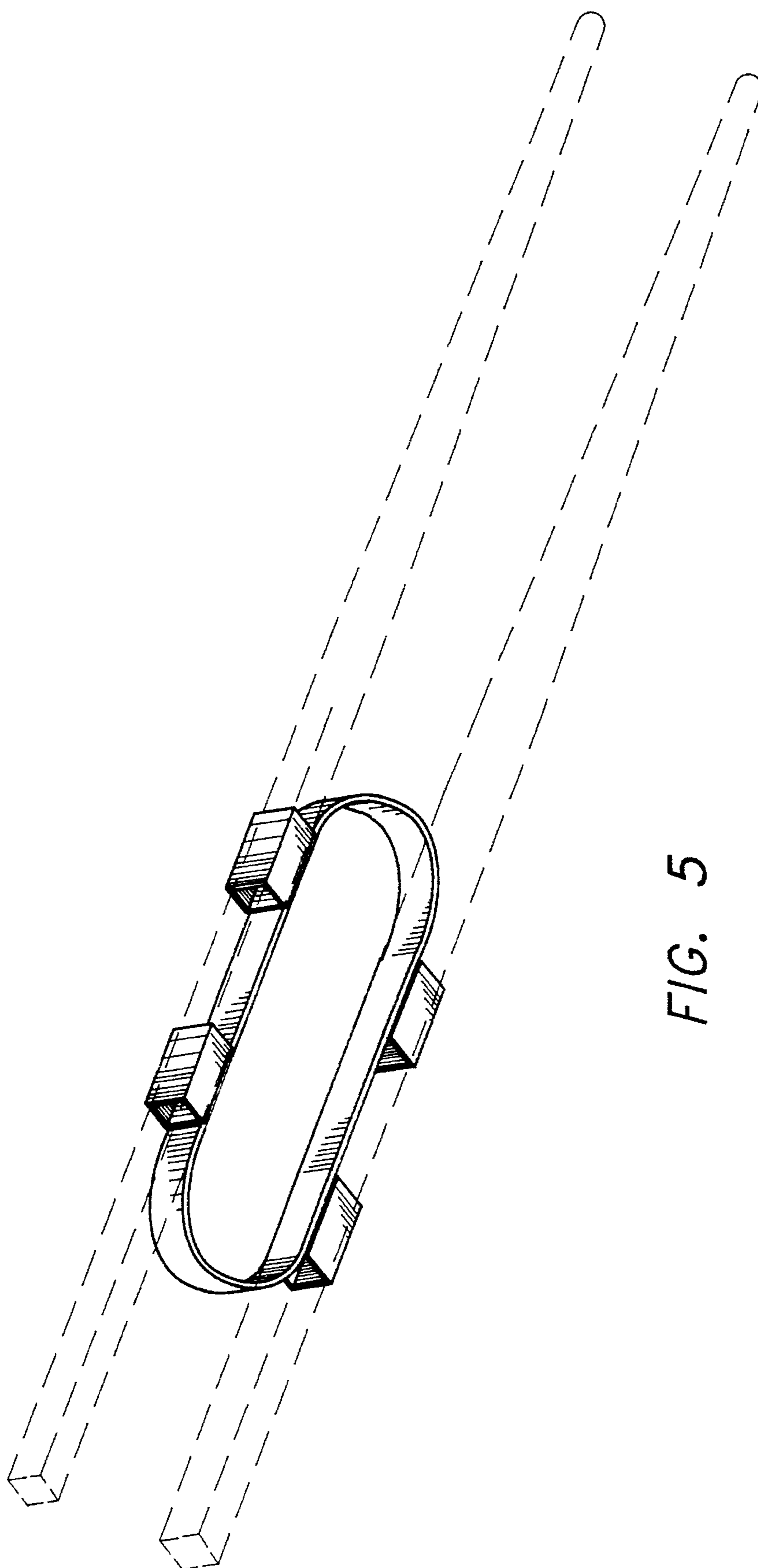


FIG. 5