



US00D368207S

United States Patent [19]
Januzzi

[11] **Patent Number: Des. 368,207**

[45] **Date of Patent: **Mar. 26, 1996**

[54] **ICE CHEST ON WHEELS**

[76] Inventor: **Roland A. Januzzi**, 5819 Whispering Pines Dr., Lorain, Ohio 44053-3772

[**] Term: **14 Years**

[21] Appl. No.: **35,334**

[22] Filed: **Feb. 24, 1995**

[52] U.S. Cl. **D7/605**

[58] **Field of Search** D7/605-608; D34/12, D34/19, 24-25; 62/457.1, 457.5, 457.7; 206/541, 545; 220/412; 280/43.1, 43.24, 645, 651-652; D15/79, 81, 83

[56] **References Cited**

U.S. PATENT DOCUMENTS

- D. 340,620 10/1993 Peters D7/605
- D. 353,304 12/1994 Friedizich D7/605
- 3,591,194 7/1971 Vega .
- 4,724,681 2/1988 Bartholomew .
- 4,873,841 10/1989 Bradshaw et al. .

- 5,259,215 11/1993 Rocca 62/457.1 X
- 5,373,708 12/1994 Dumoulin, Jr. 62/457.7
- 5,423,195 6/1995 Peters 62/457.1

Primary Examiner—Terry A. Wallace
Attorney, Agent, or Firm—Dennis H. Lambert

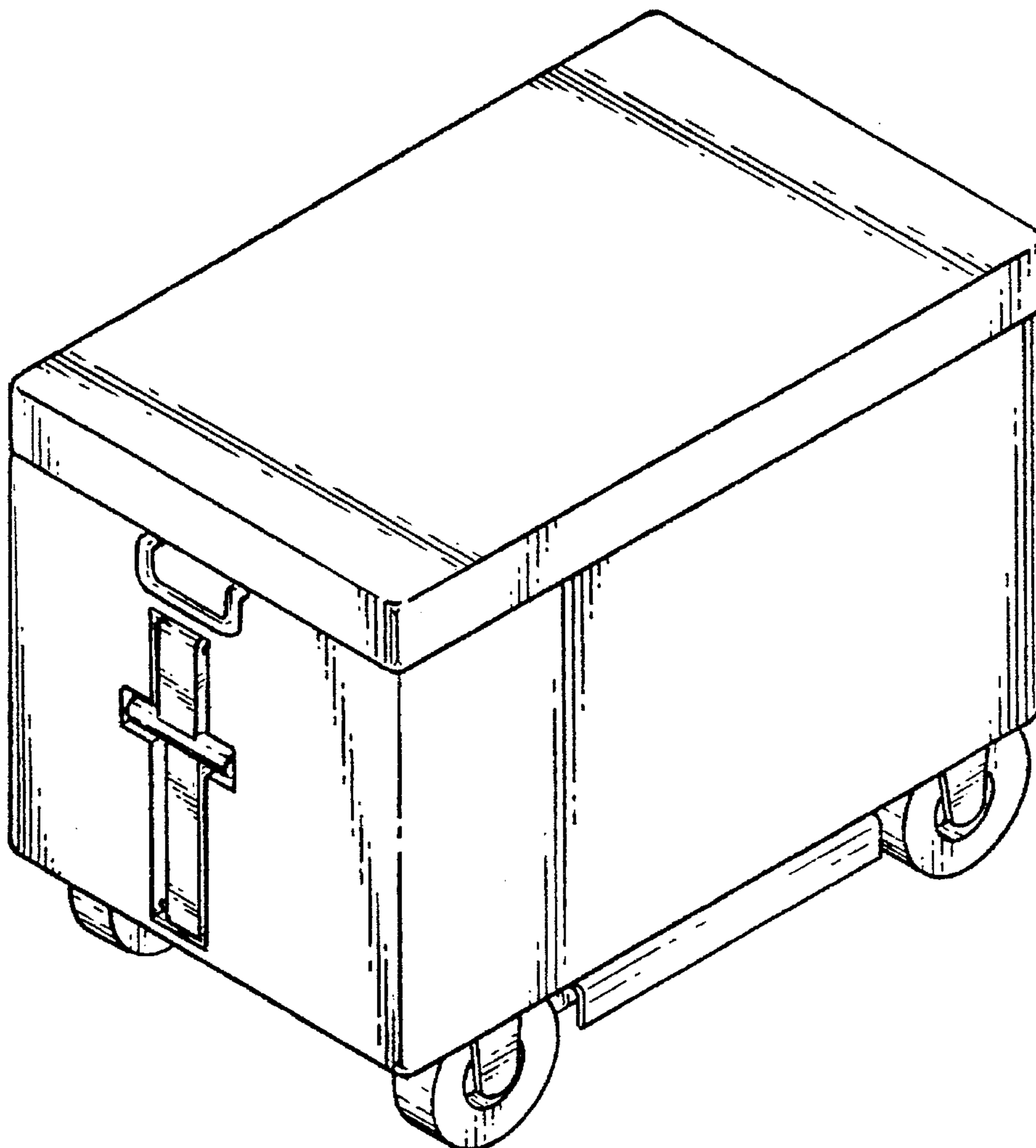
[57] **CLAIM**

The ornamental design for an ice chest on wheels, as shown and described.

DESCRIPTION

FIG. 1 is a front, top, left side perspective view of an ice chest on wheels showing my new design; FIG. 2 is a left side elevational view thereof; FIG. 3 is a right side elevational view thereof; FIG. 4 is a front elevational view thereof; FIG. 5 is a rear elevational view thereof; FIG. 6 is a top plan view thereof; and, FIG. 7 is a bottom plan view thereof.

1 Claim, 3 Drawing Sheets



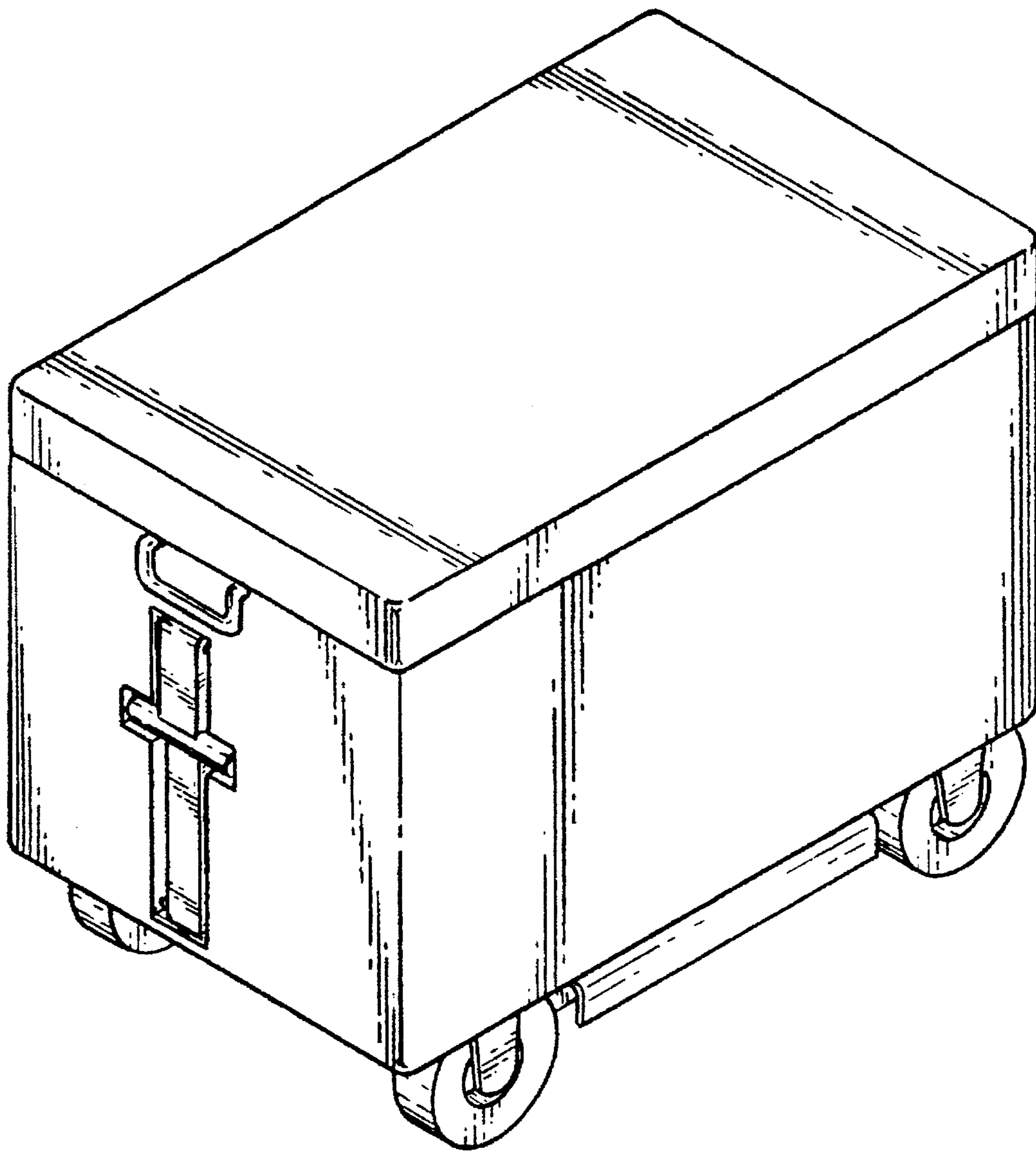


FIG. 1

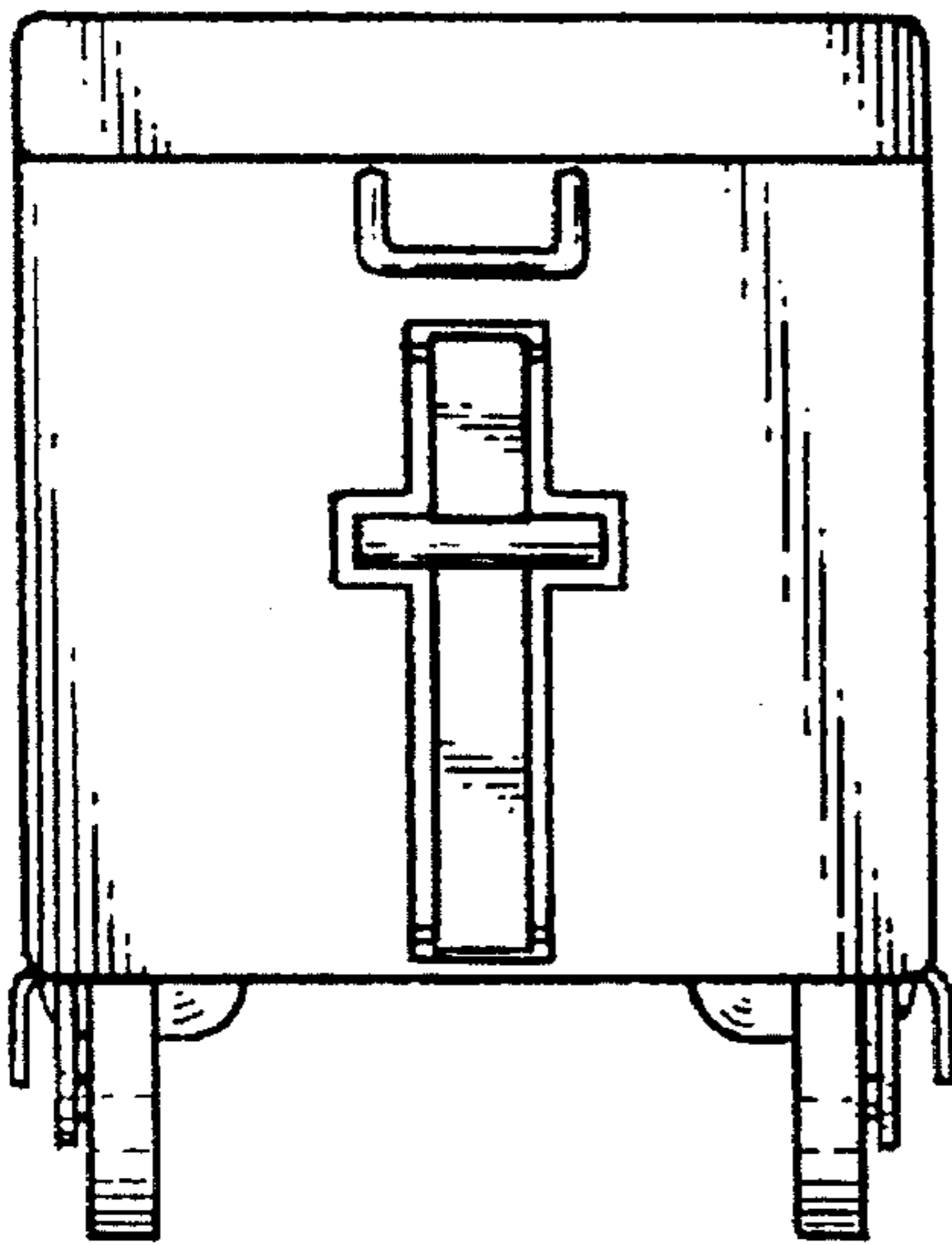


FIG. 2

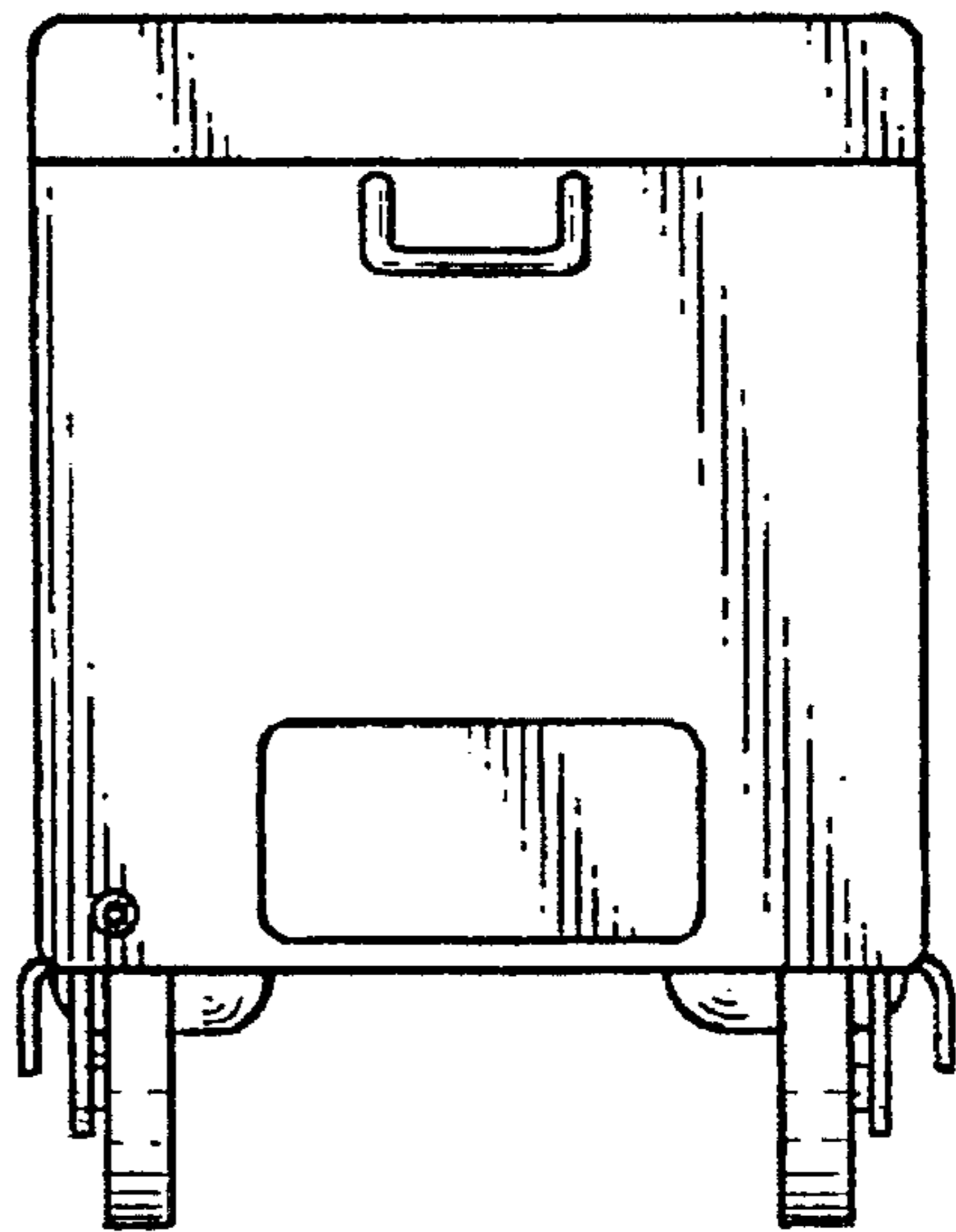


FIG. 3

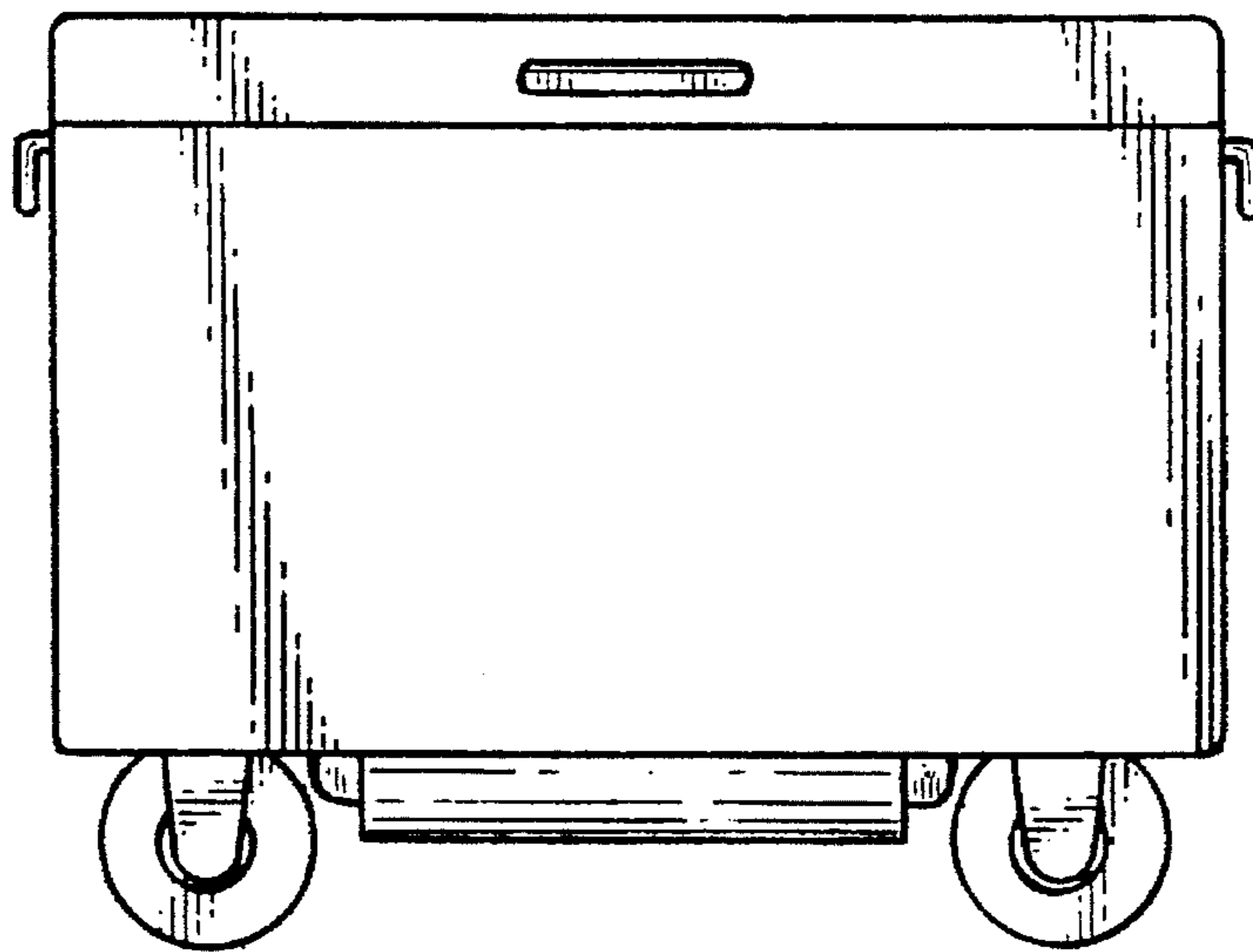


FIG. 4

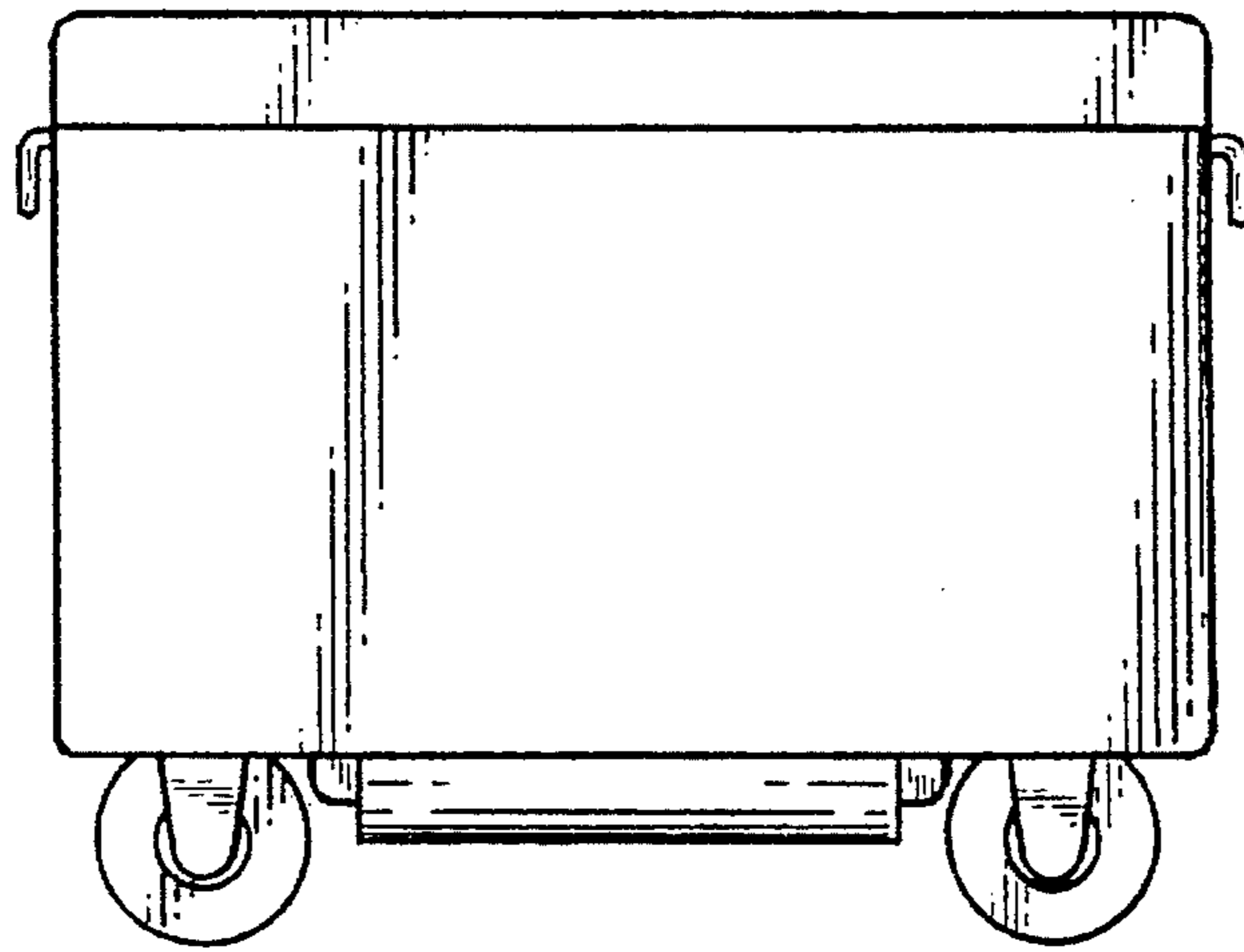


FIG. 5

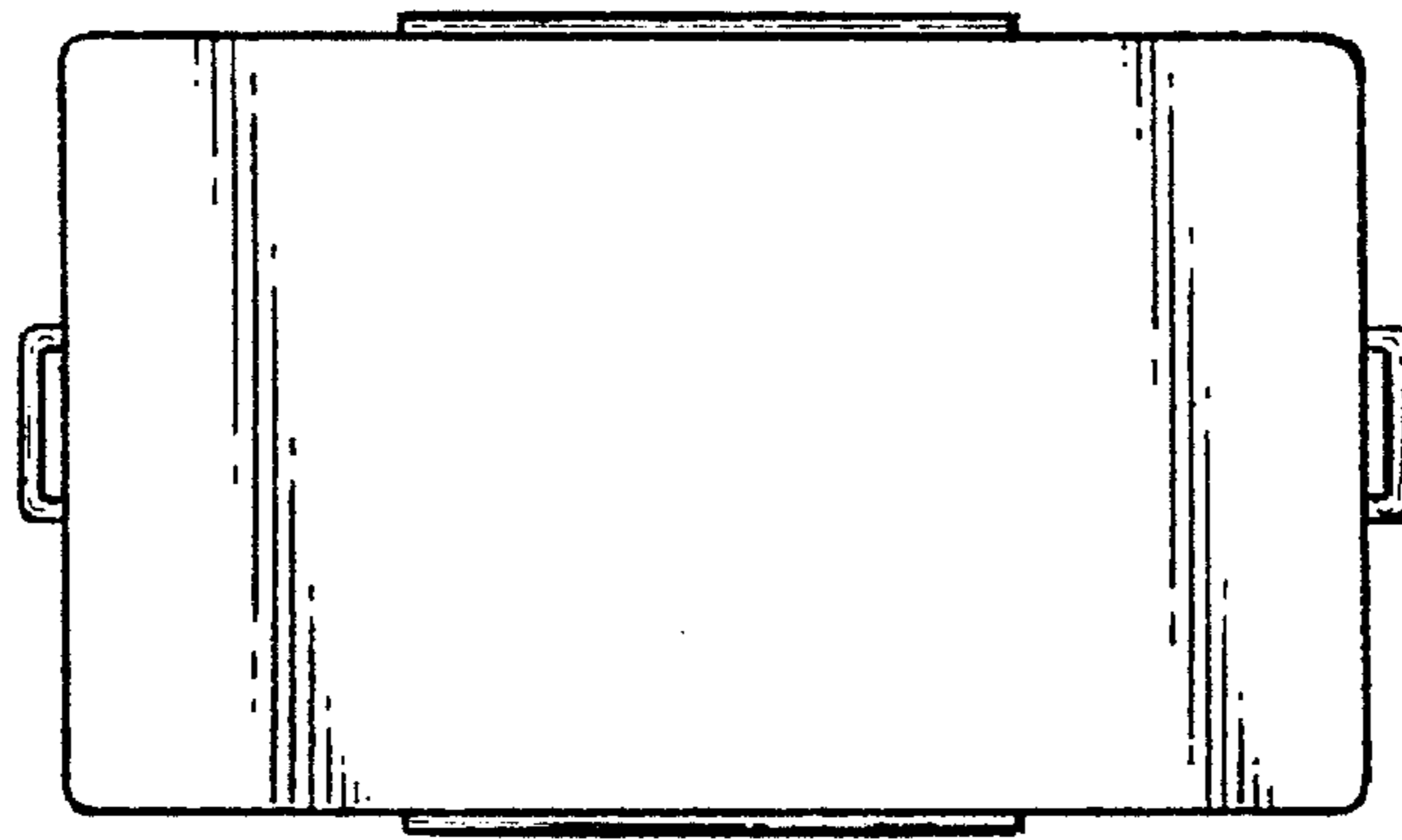


FIG. 6

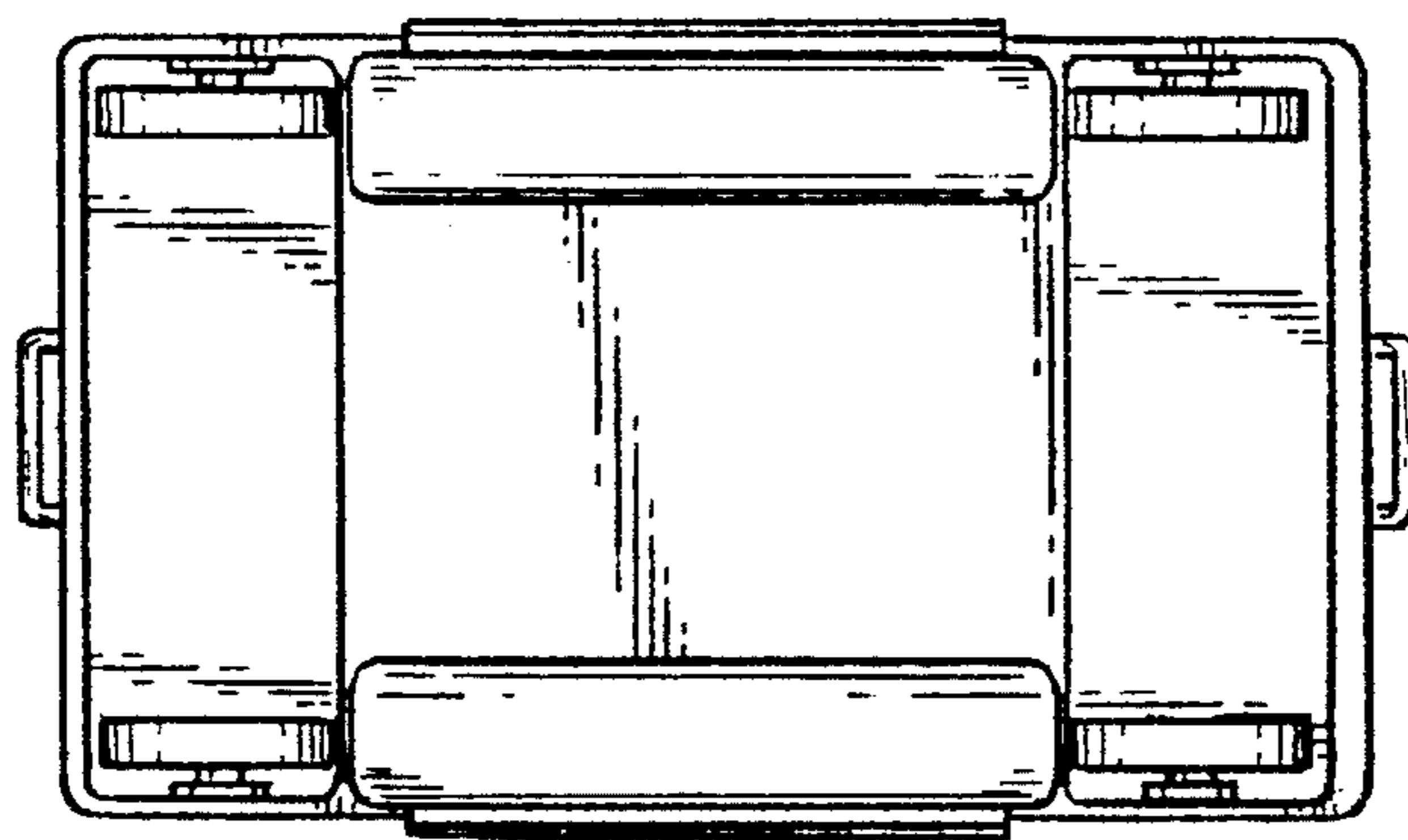


FIG. 7