



US00D368206S

United States Patent [19]

Wedi

[11] Patent Number: **Des. 368,206**

[45] Date of Patent: ****Mar. 26, 1996**

[54] **COMBINED PORTABLE HEAT INSULATED CODER AND WARMER**

[75] Inventor: **Heiner Wedi**, Emsdetten, Germany

[73] Assignee: **WAECO-Wahning & Co. GmbH**, Emsdetten, Germany

[**] Term: **14 Years**

[21] Appl. No.: **5,558**

[22] Filed: **Mar. 5, 1993**

[30] Foreign Application Priority Data

Sep. 8, 1992 [DE] Germany M 92 06 536.8

[52] U.S. Cl. **D7/605**

[58] Field of Search D7/605-608, 323; 62/457.1, 457.7, 371, 342, 430, 252; D15/79-81, 83, 89

[56] References Cited

U.S. PATENT DOCUMENTS

D. 252,420 11/1994 Costello D7/605
D. 351,318 10/1994 Wedi D7/605

OTHER PUBLICATIONS

Washington Home, Aug. 6, 1987, p. 34 Cooler.
Housewares, Mar. 7-13, 1986, p. 24, Cooler.
HKE, May 1986, p. 61, Cooler fH-15B.

Primary Examiner—Terry A. Wallace
Attorney, Agent, or Firm—Tarolli, Sundheim & Covell

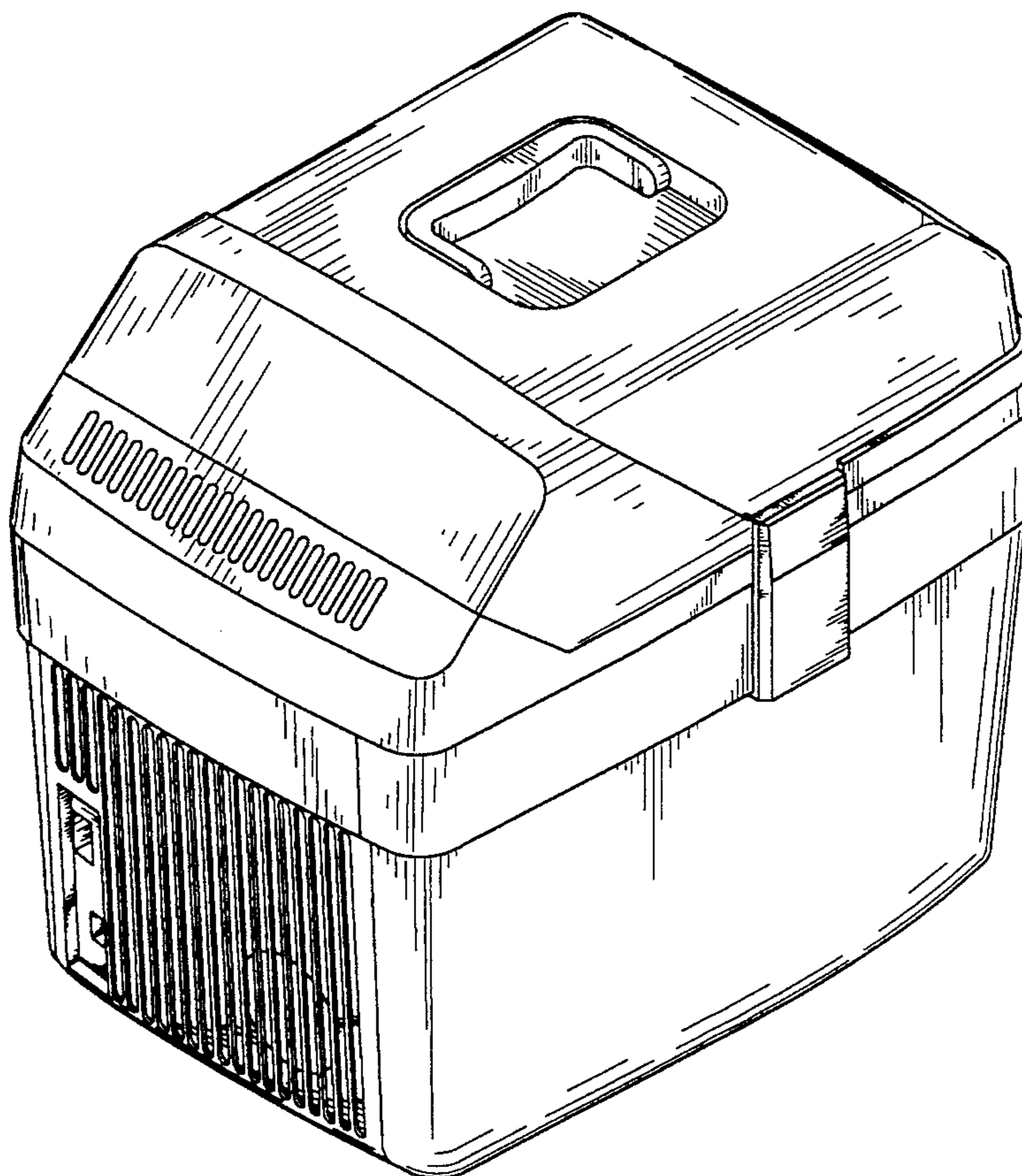
[57] CLAIM

The ornamental design for combined portable heat insulated cooler and warmer, as shown and described.

DESCRIPTION

FIG. 1 is a perspective view of a combined portable heat insulated cooler and warmer showing my new design; FIG. 2 is a front elevational view of FIG. 1; FIG. 3 is a rear elevational view of FIG. 1; FIG. 4 is a top plan view of FIG. 1; FIG. 5 is a bottom plan view of FIG. 1; FIG. 6 is a left side elevation view of FIG. 1; FIG. 7 is a right side elevation view FIG. 1; FIG. 8 is a perspective view of FIG. 1 in an open position; FIG. 9 is a perspective view of an alternate embodiment of FIG. 1; FIG. 10 is a top plan view of FIG. 9; FIG. 11 is a front elevational view of FIG. 9; FIG. 12 is a rear elevational view of FIG. 9; FIG. 13 is a left side elevation view of FIG. 9; and, FIG. 14 is a right side elevation view of FIG. 9. The undisclosed bottom view of FIG. 9 is the same as FIG. 5.

1 Claim, 8 Drawing Sheets



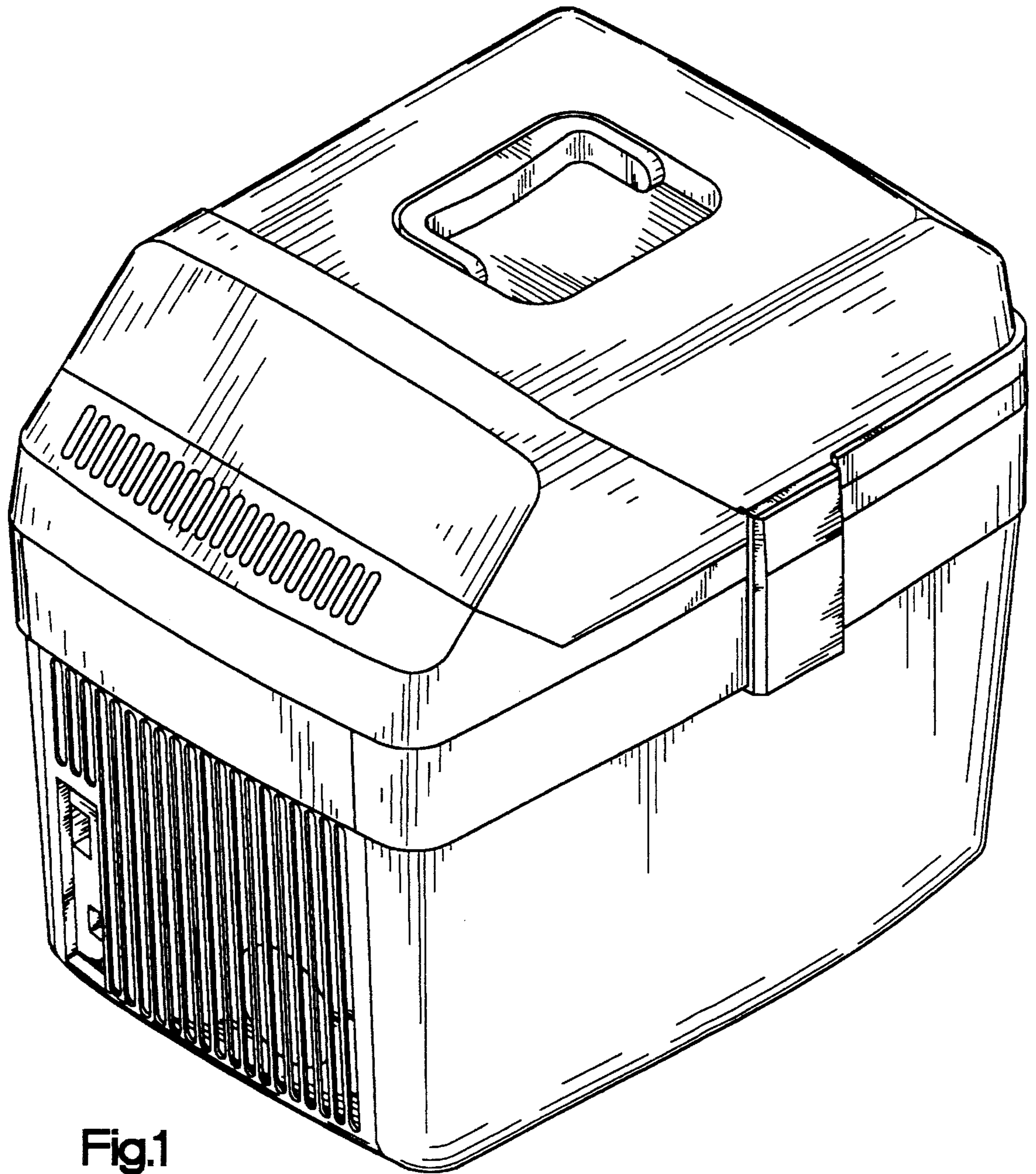


Fig.1

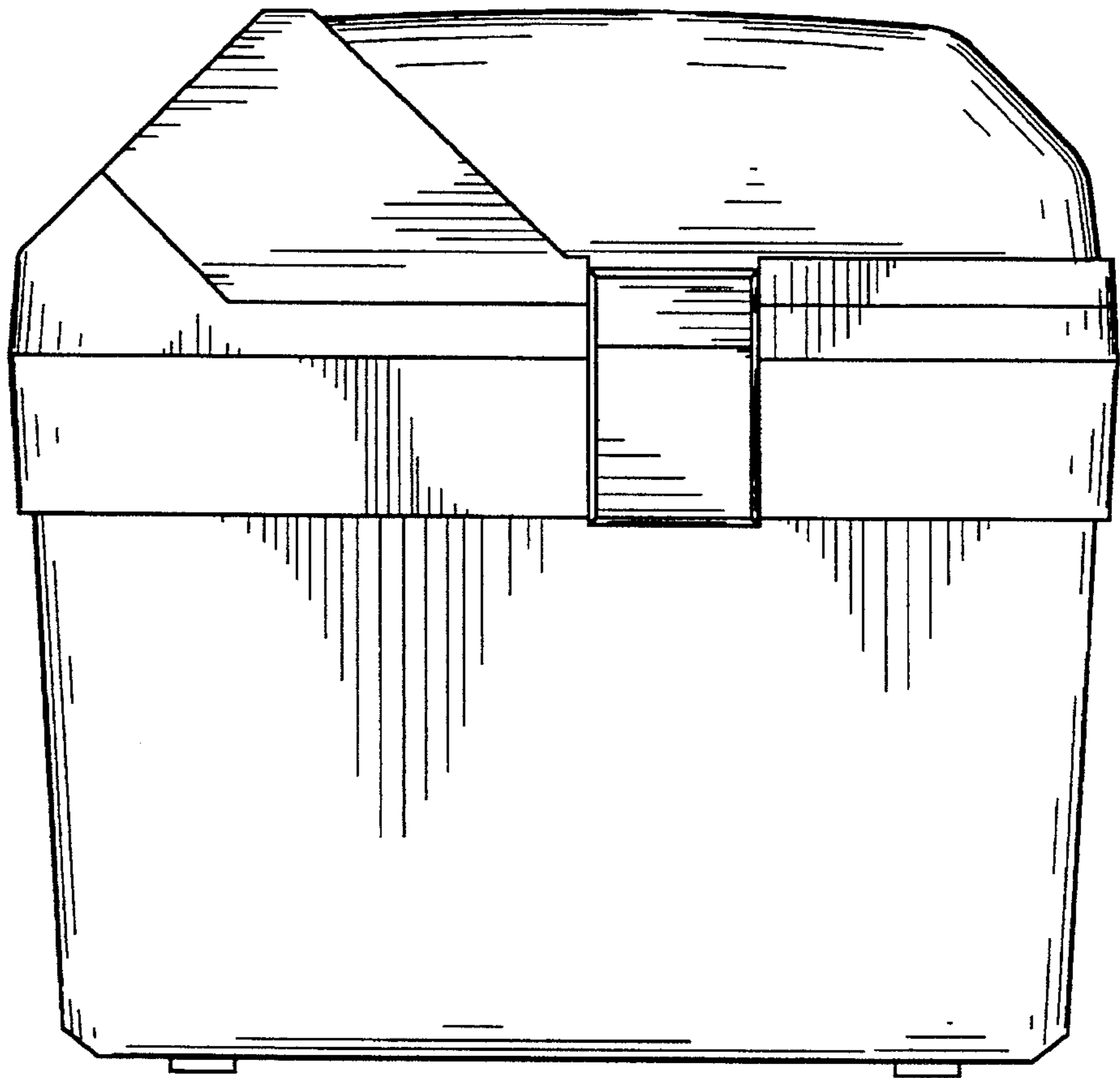


Fig.2

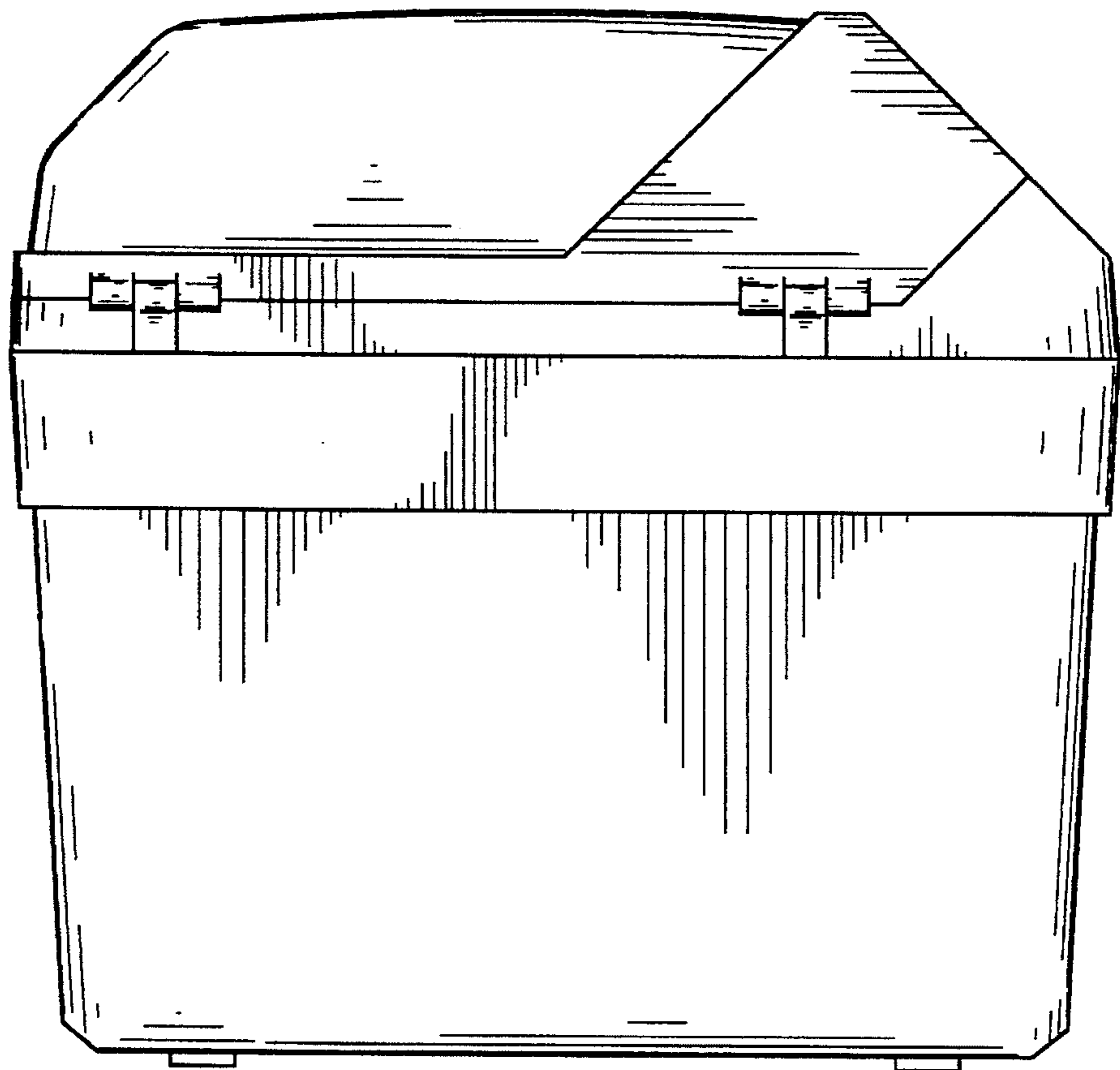


Fig.3

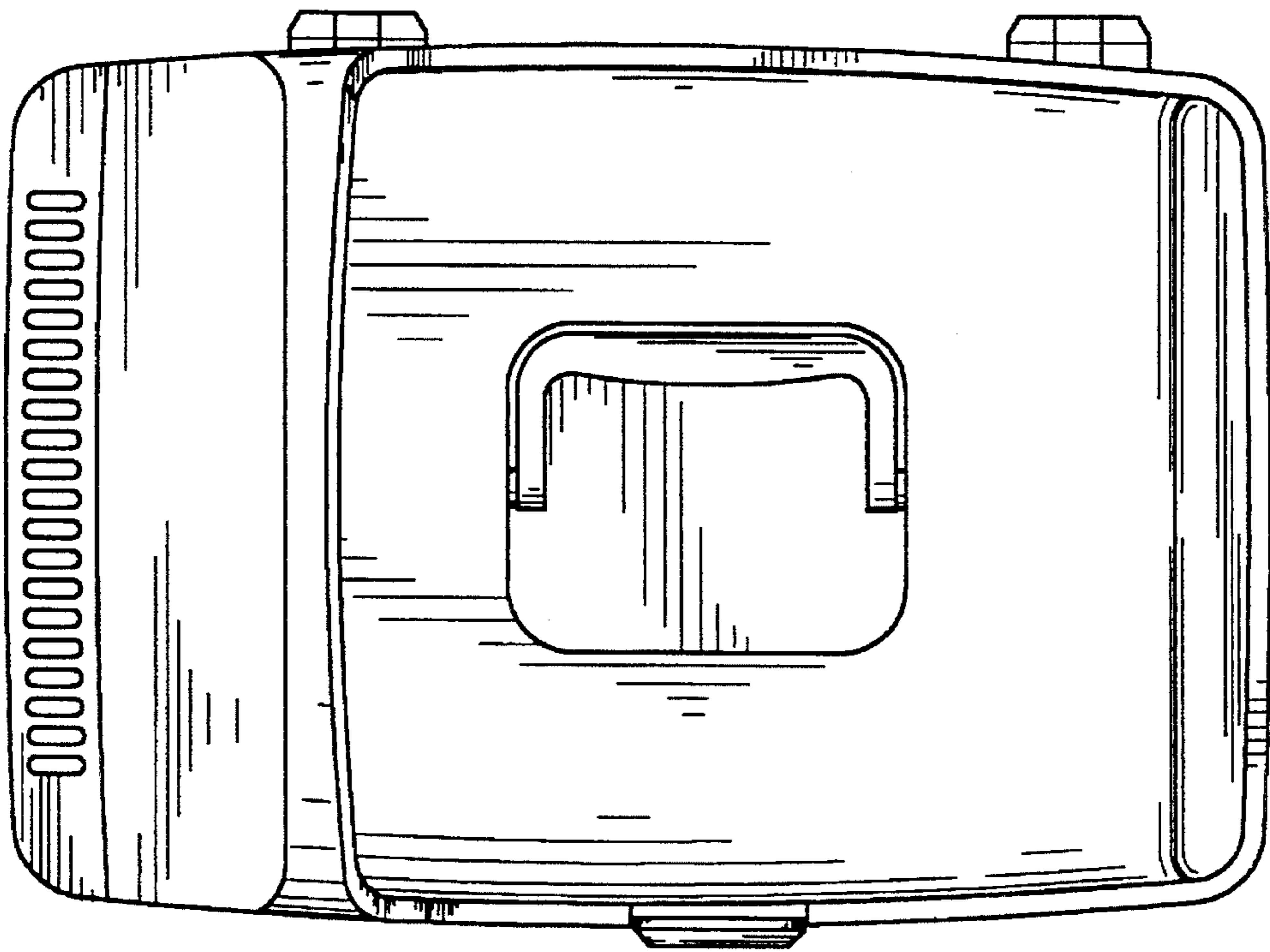


Fig.4

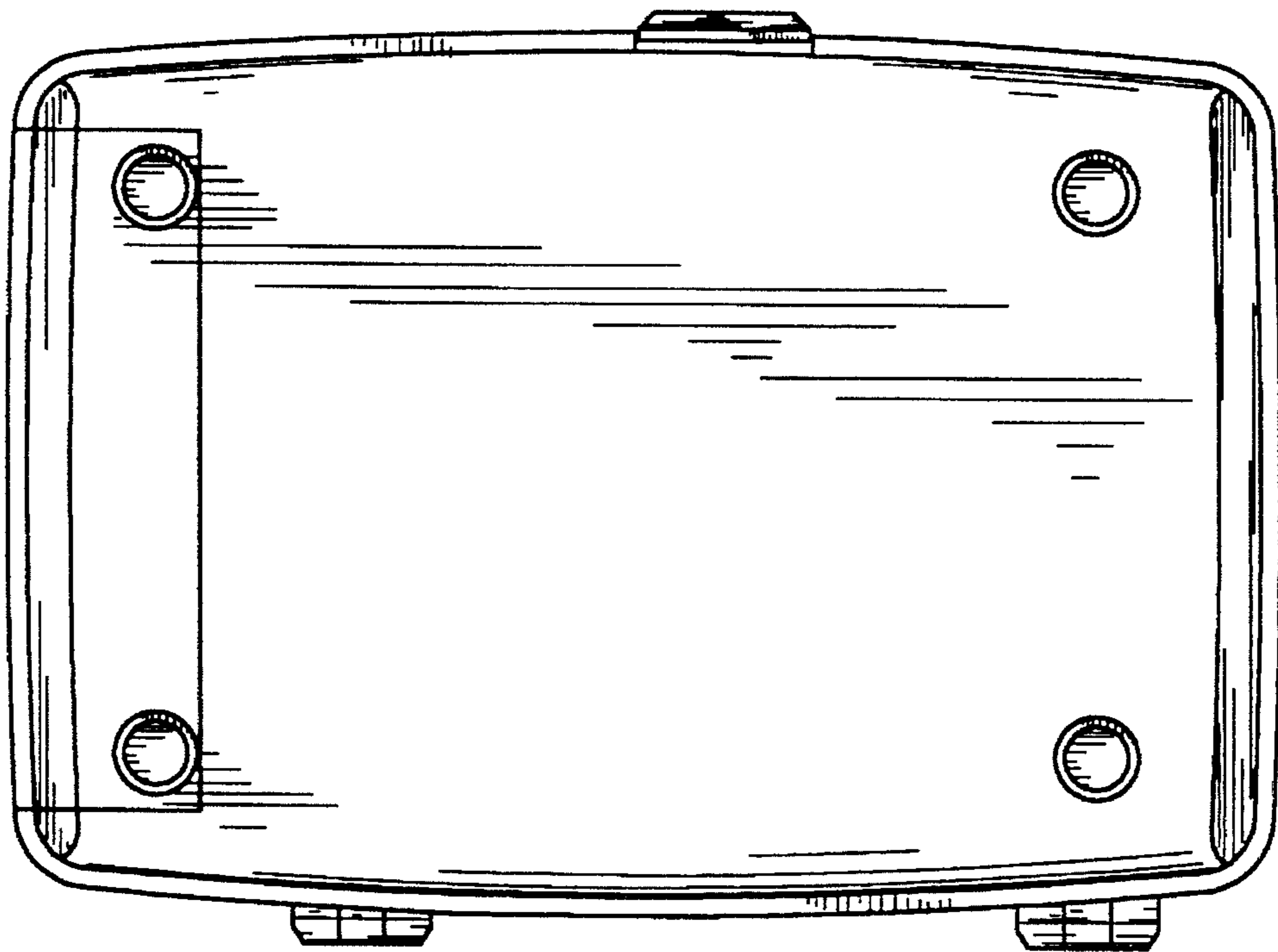


Fig.5

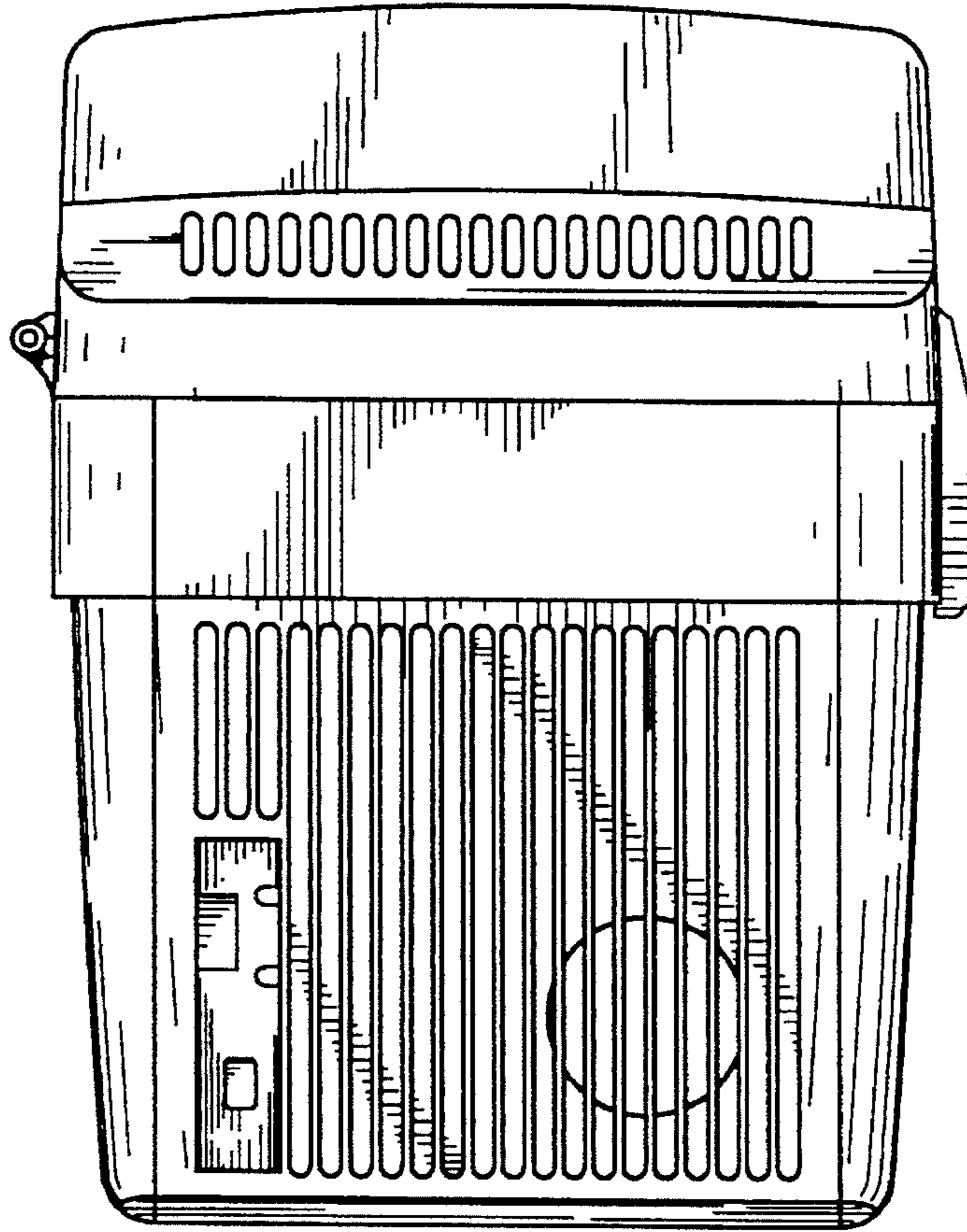


Fig.6

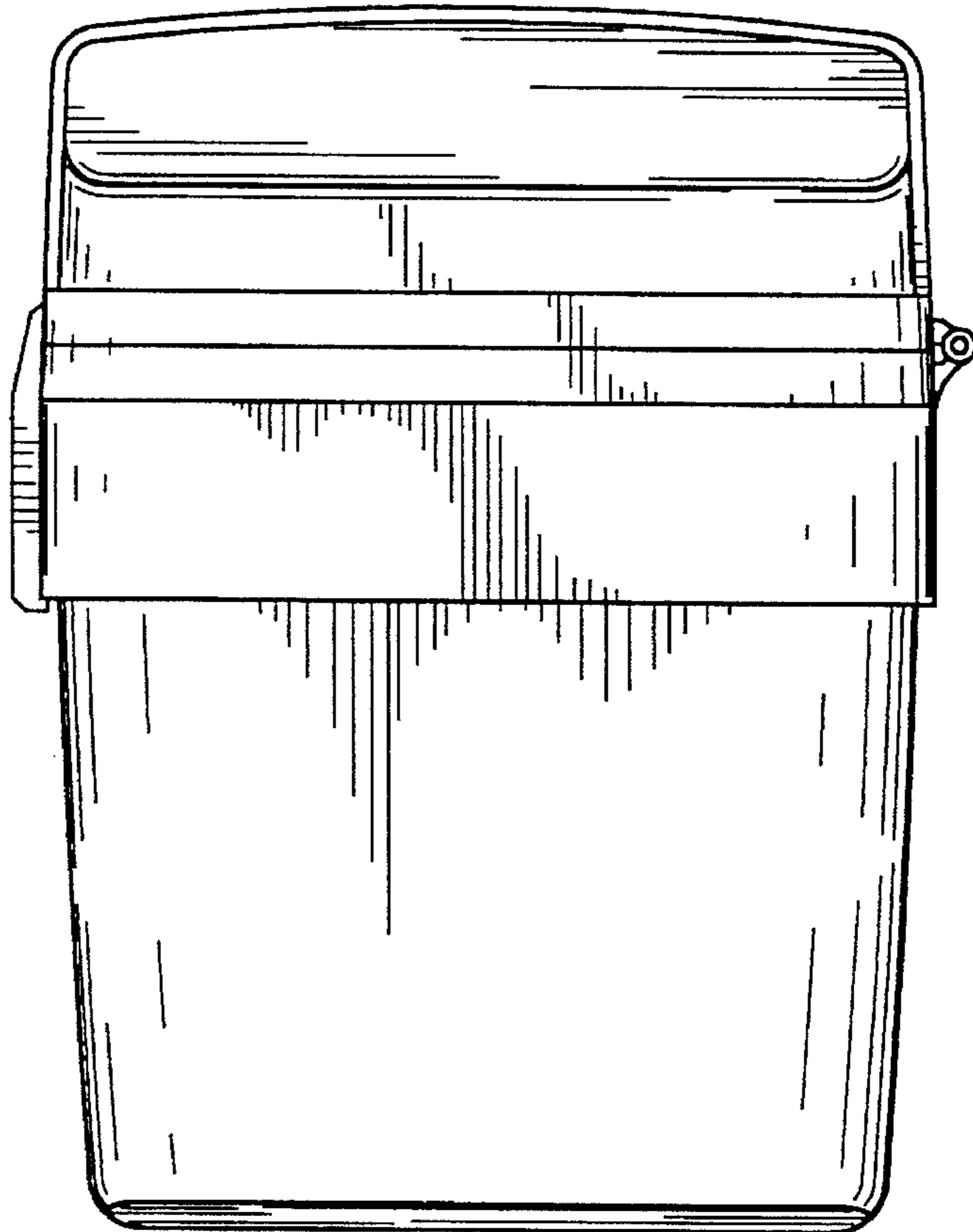


Fig.7

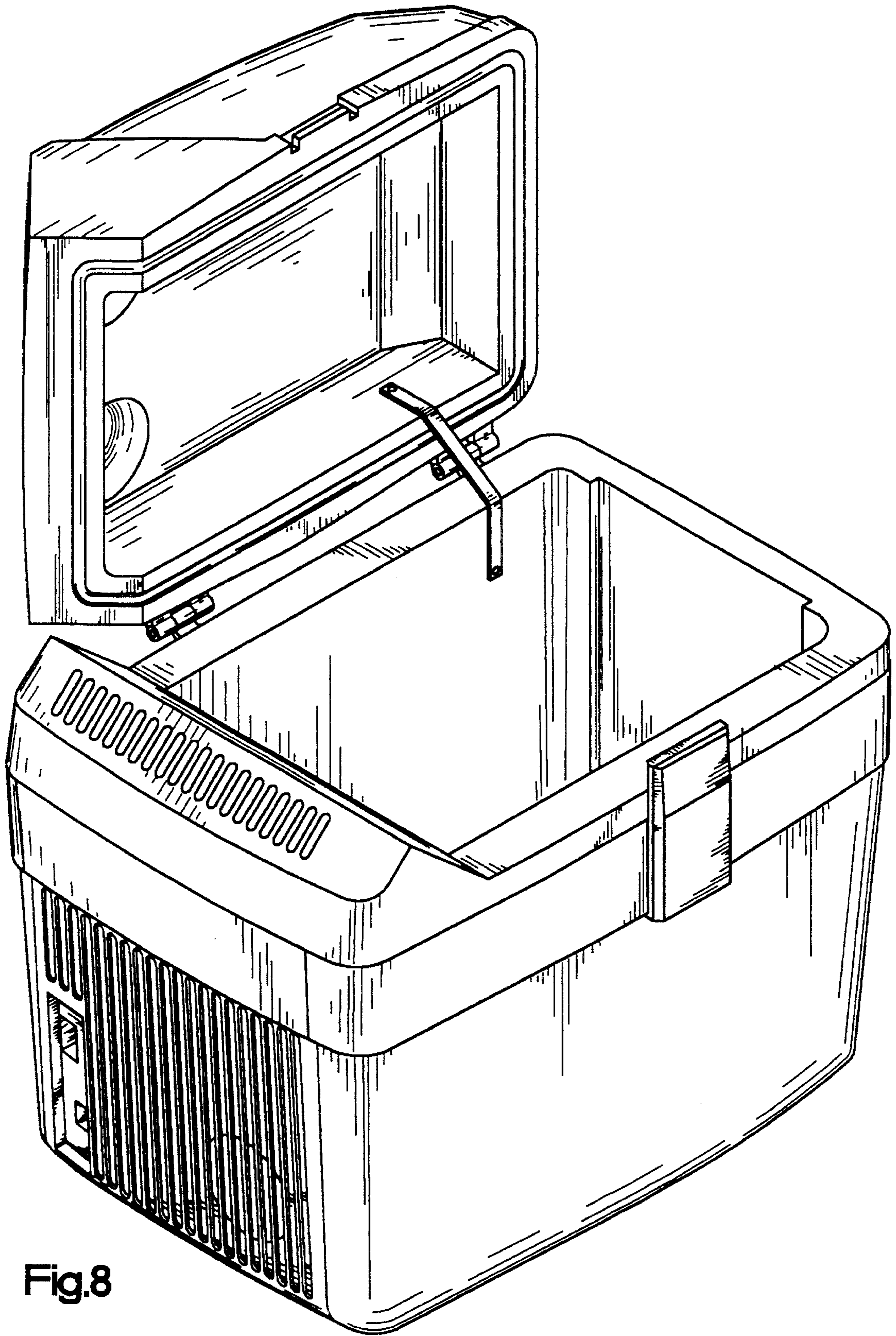


Fig.8

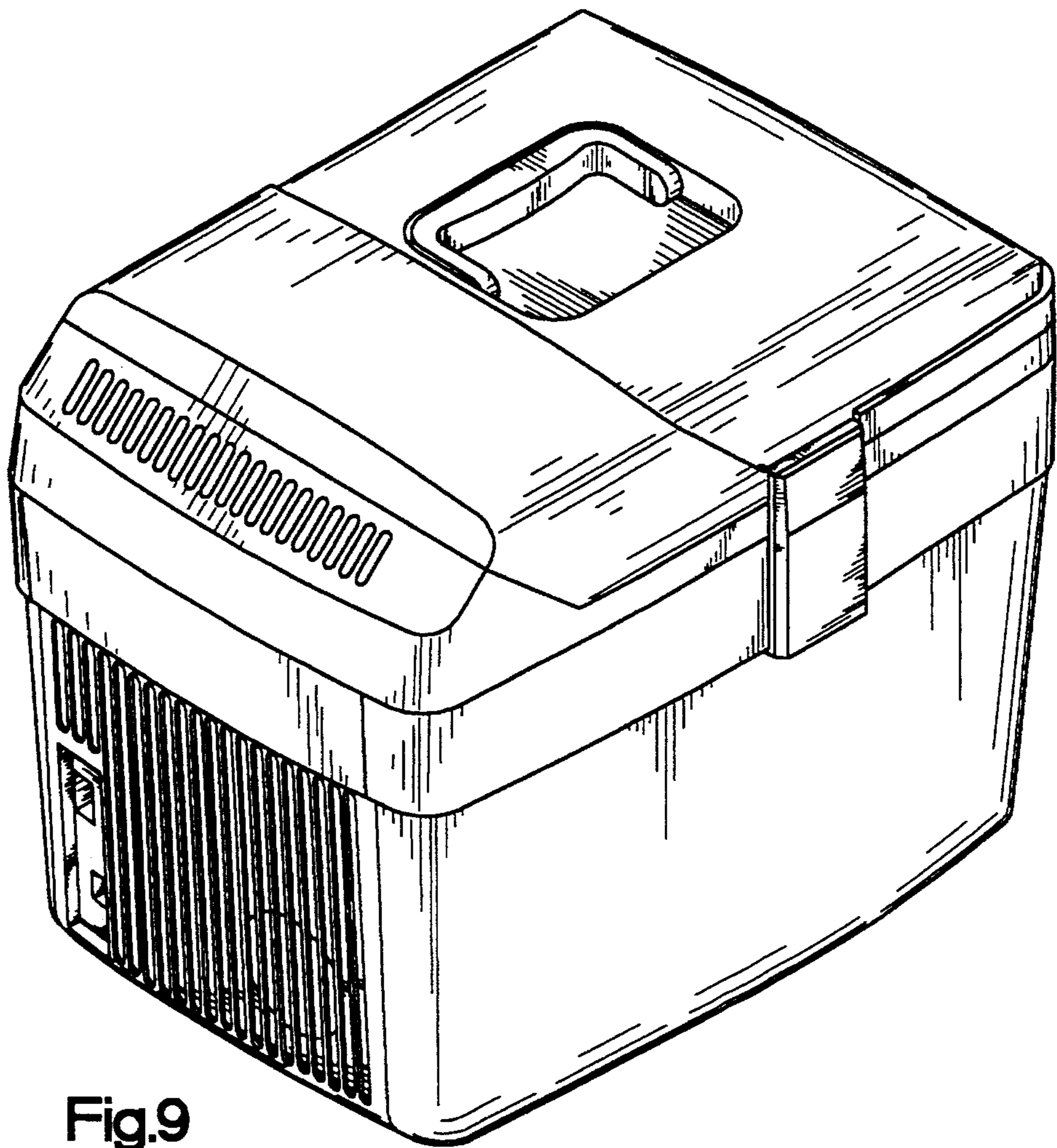


Fig.9

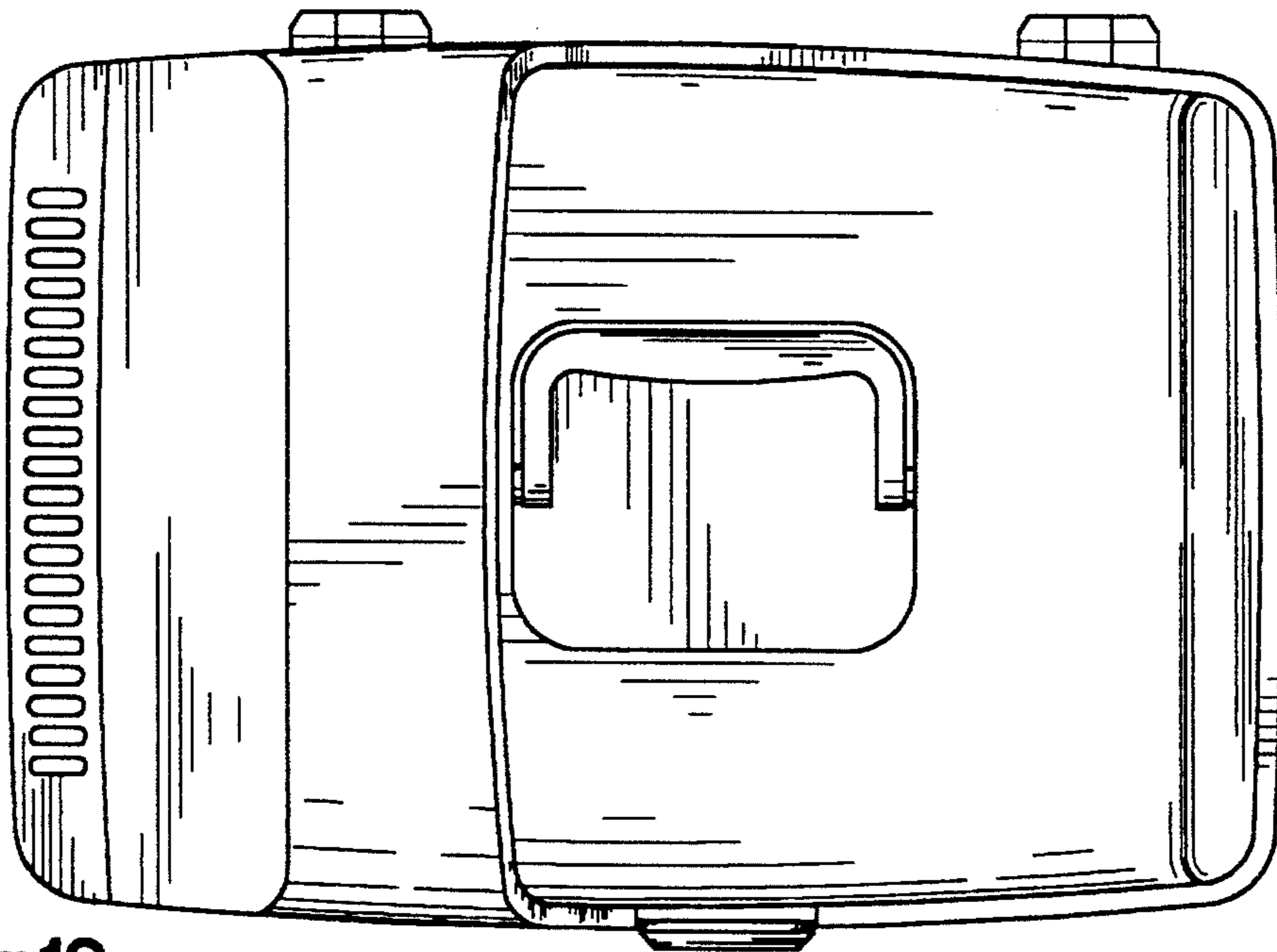


Fig.10

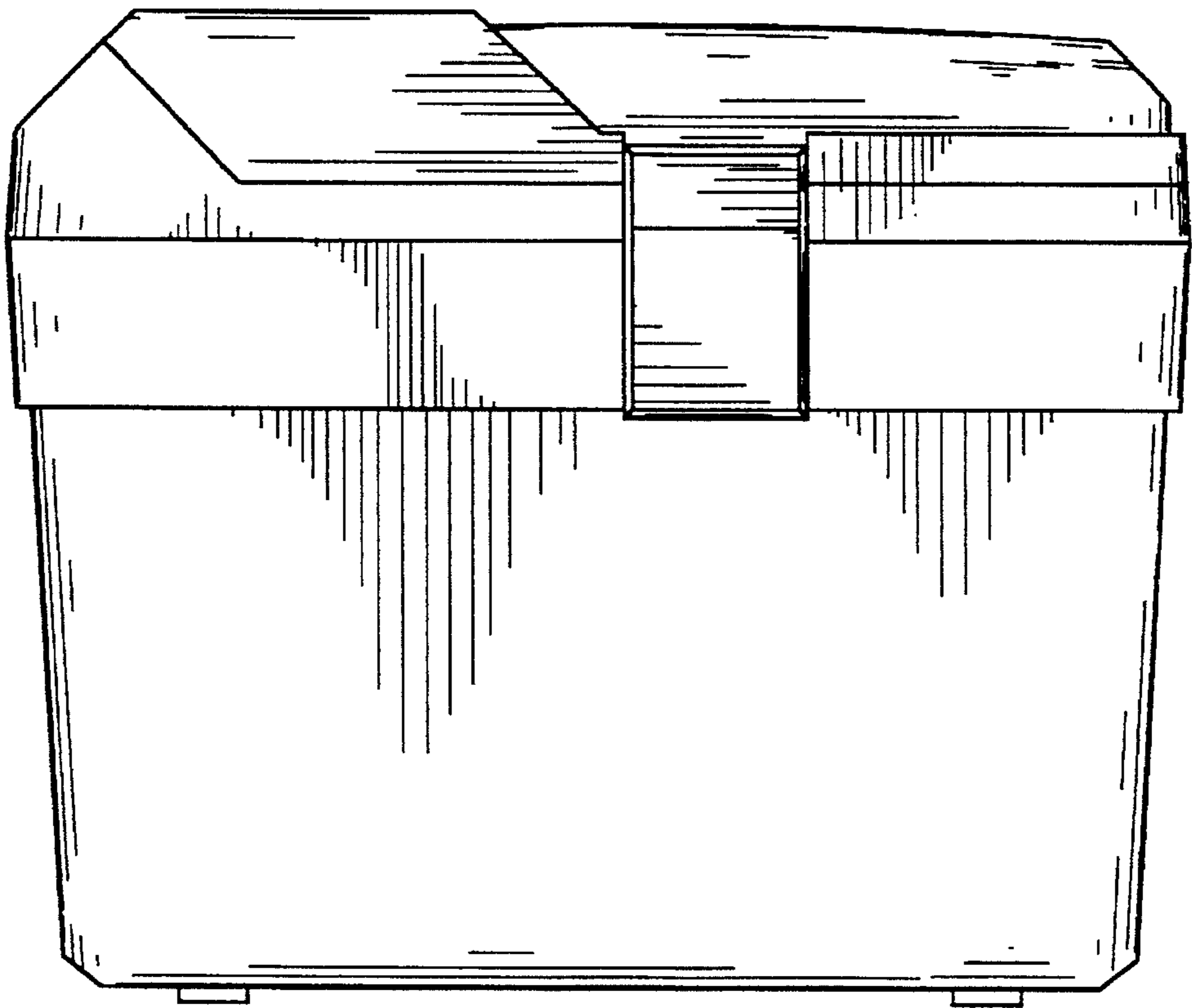


Fig.11

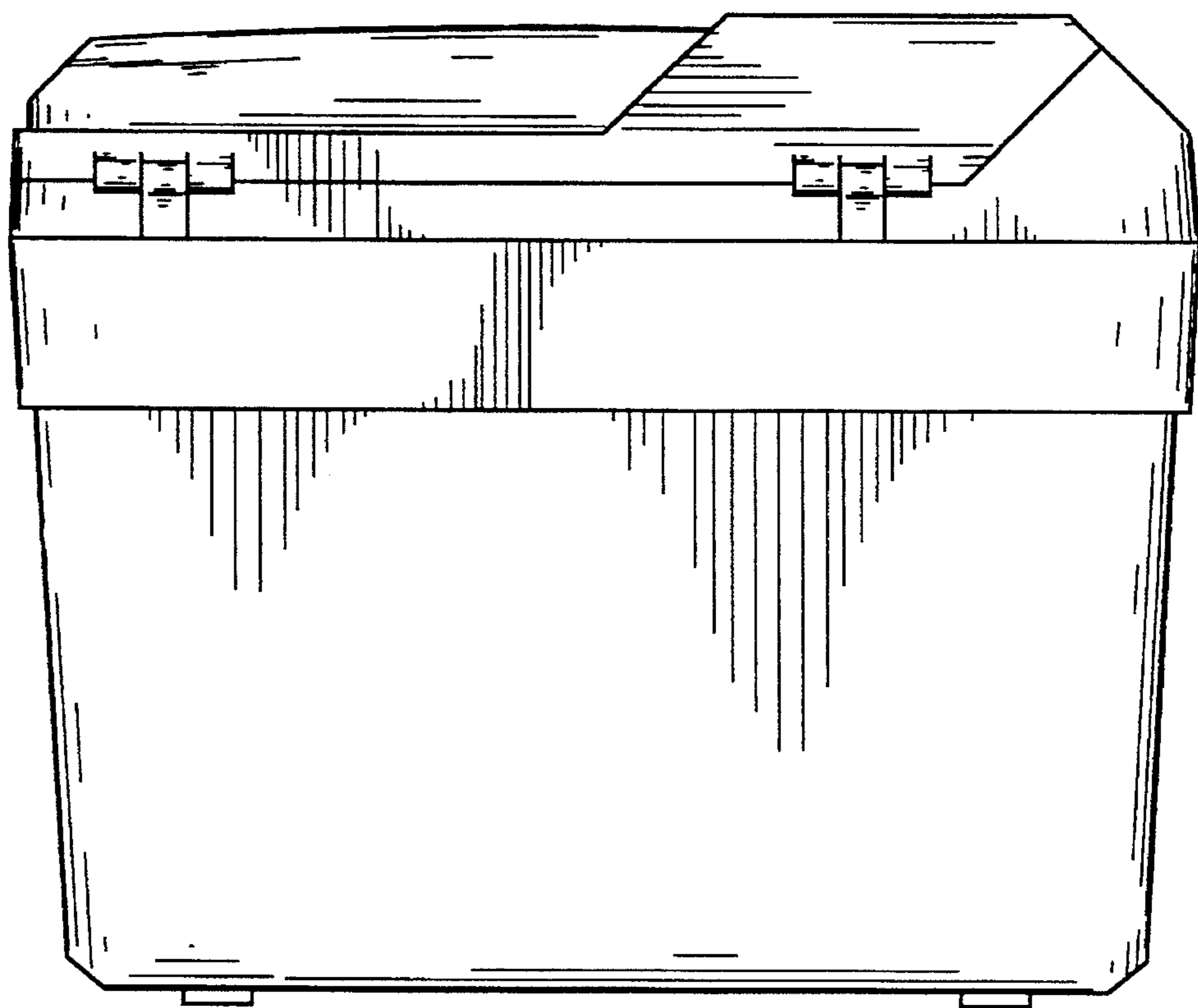


Fig.12

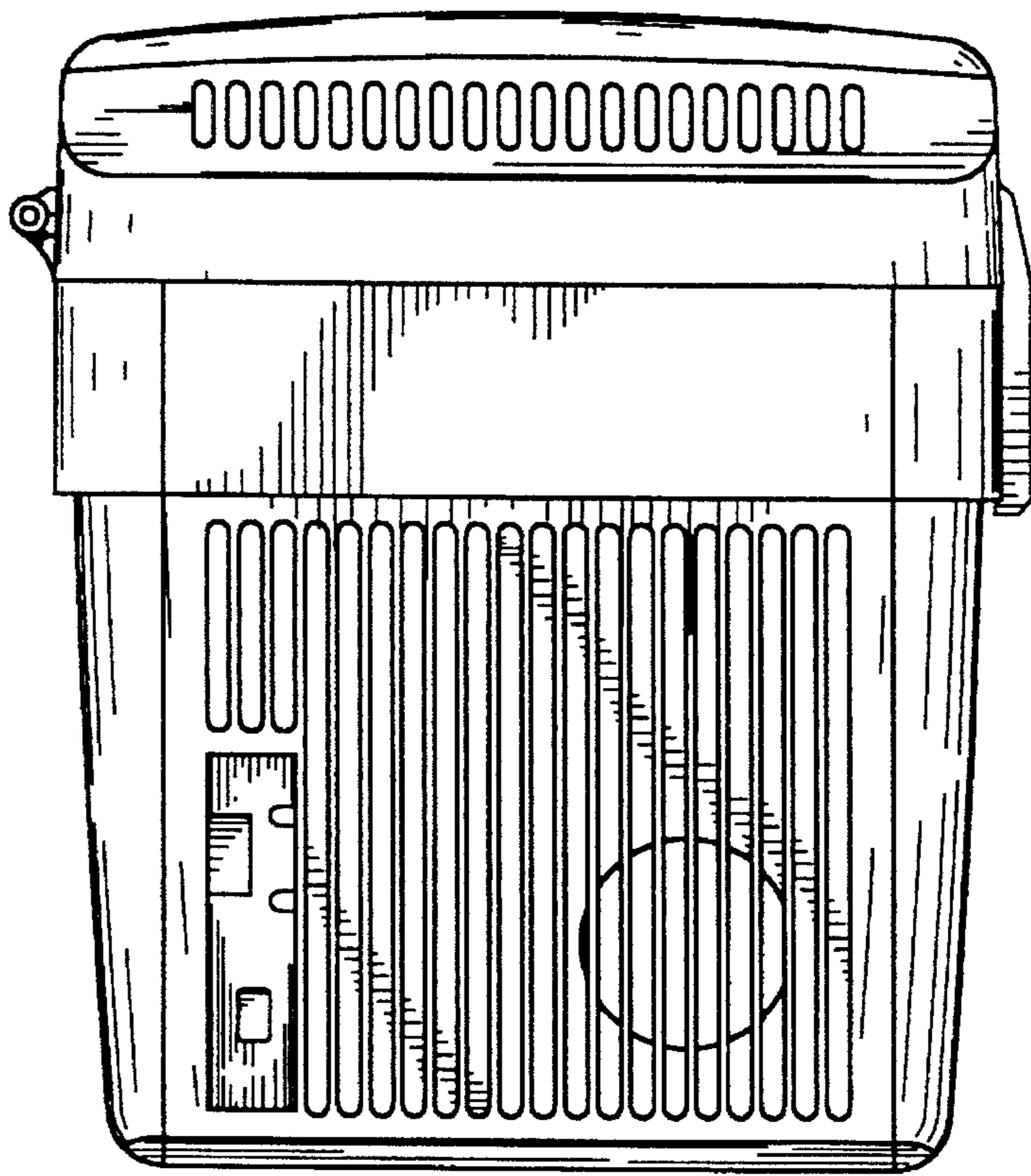


Fig.13

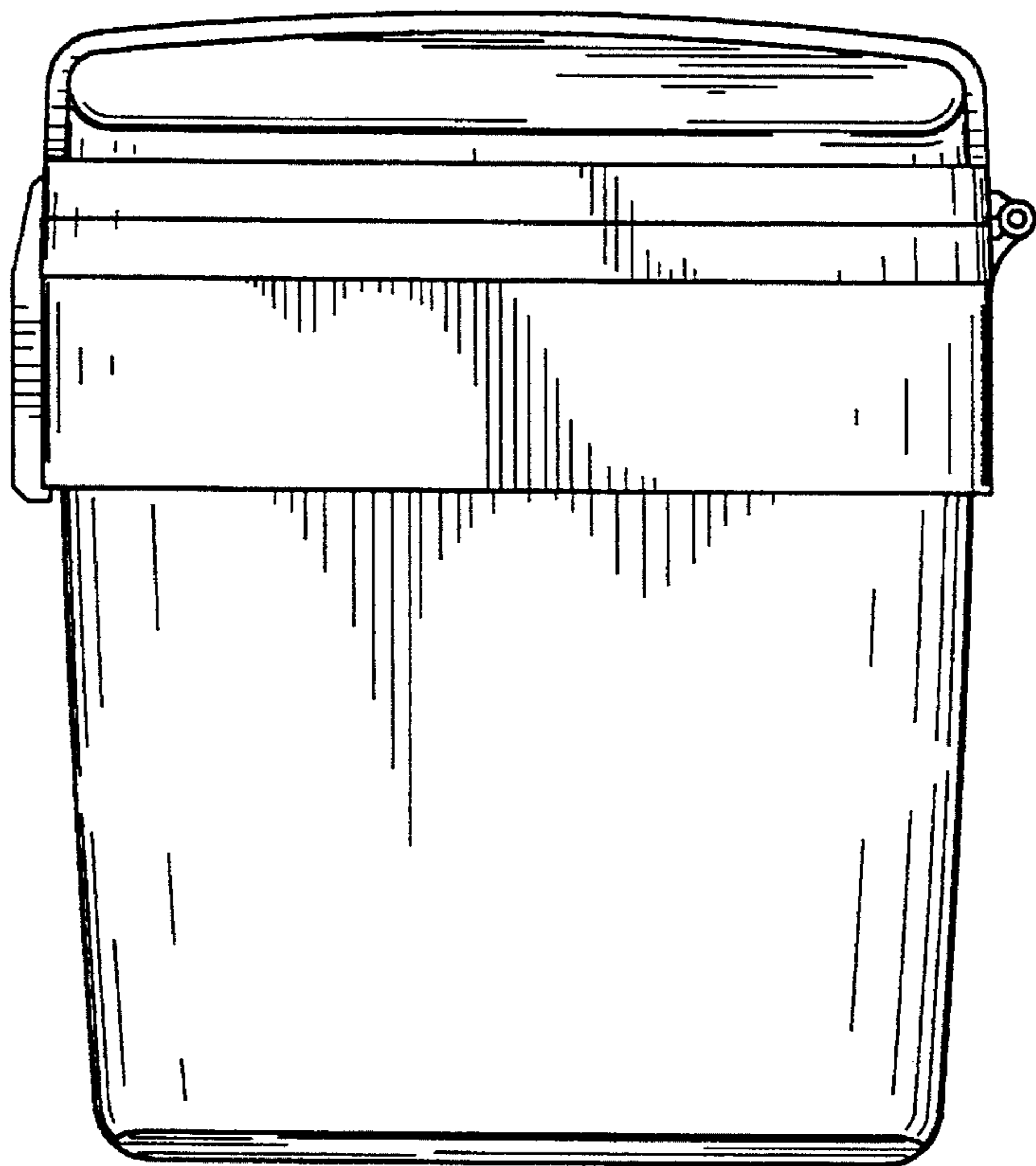


Fig.14