



US00D368205S

United States Patent [19] Rausch

[11] **Patent Number: Des. 368,205**
[45] **Date of Patent: **Mar. 26, 1996**

- [54] **SPATULA HEAD**
- [75] Inventor: **Kevin Rausch**, Cross Junction, Va.
- [73] Assignee: **Rubbermaid Commercial Products Inc.**, Winchester, Va.
- [**] Term: **14 Years**
- [21] Appl. No.: **34,644**
- [22] Filed: **Feb. 9, 1995**
- [52] U.S. Cl. **D7/401.2**
- [58] **Field of Search** D7/401.2, 688-690;
15/245; 30/136, 169; 294/7, 8; 416/69,
70 R; D32/40, 46, 49

[56] **References Cited**

U.S. PATENT DOCUMENTS

D. 191,526	10/1961	Marcus .	
D. 226,392	2/1973	Lindbo .	
D. 265,601	7/1982	Olsson	D32/49
D. 293,295	12/1987	Johnson .	
D. 303,902	10/1989	Gecchelin .	
D. 304,144	10/1989	Gecchelin .	
D. 311,120	10/1990	Cautereels	D7/688
D. 345,491	3/1994	Doxey	D7/692
1,728,211	9/1929	McClellan .	
2,765,190	10/1956	McAhren	D7/688 X
2,964,773	12/1960	Pence	D7/688 X

OTHER PUBLICATIONS

Package copy, Turner; Farberware, address unknown. Published at least as early as 1994.

P. 12, Turners; The Vollrath Co., P.O. Box 611, Sheboygan, Wisconsin 53082-0611. Publication date 1988.

P. 3, Spatula; Robinson Knife Co., 41 Madison Ave., New York, New York 10010. Published at least as early as Apr., 1994.

P. 12, Spatula; Aluminum Housewares Co., Inc., Fairgrove Products, P.O. Box 1599, Maryland Heights, Missouri 63043-0599. Publication date Jan. 1, 1991.

P. 22, Scrapers; Housewares of All Nations, Hoan Products, Ltd., 820 Third Ave., Brooklyn, New York 11232. Publication date 1988.

Catalog page, Spatula knife and turners; Bonny Products Inc., 10 Peninsula Blvd., Lynbrook, New York 11563. Publication date 1984.

Pp. 2-8 and 2-11, Spatulas and turners; Ekco Housewares Co., 9234 West Belmont Ave., Franklin Park, Illinois 60131. Publication date Sep. 1, 1985.

P. 27, Spatulas; Rubbermaid Commercial Products Inc., 3124 Valley Ave., Winchester, Virginia 22601. Publication date 1992.

Catalog page, Spatulas; Rubbermaid Incorporated, 1147 Akron Rd., Wooster, Ohio 44691. Publication date 1994.

Primary Examiner—Terry A. Wallace
Attorney, Agent, or Firm—Richard B. O'Planick; Lisa B. Riedesel

[57] **CLAIM**

The ornamental design for a spatula head, as shown and described.

DESCRIPTION

FIG. 1 is a top left front perspective view of a spatula head showing my new design. The broken line showing of a handle is environmental only and forms no part of the claimed design;

FIG. 2 is a front elevational view thereof; the rear elevational view being a mirror image;

FIG. 3 is a bottom plan view thereof;

FIG. 4 is a top plan view thereof;

FIG. 5 is a right side elevational view thereof;

FIG. 6 is a left side elevational view thereof;

FIG. 7 is a top left front perspective view of an alternate embodiment of FIG. 1, the broken line showing of the handle is environmental only and forms no part of the claimed design;

FIG. 8 is a front elevational view of the alternate embodiment; the rear elevational view being a mirror image;

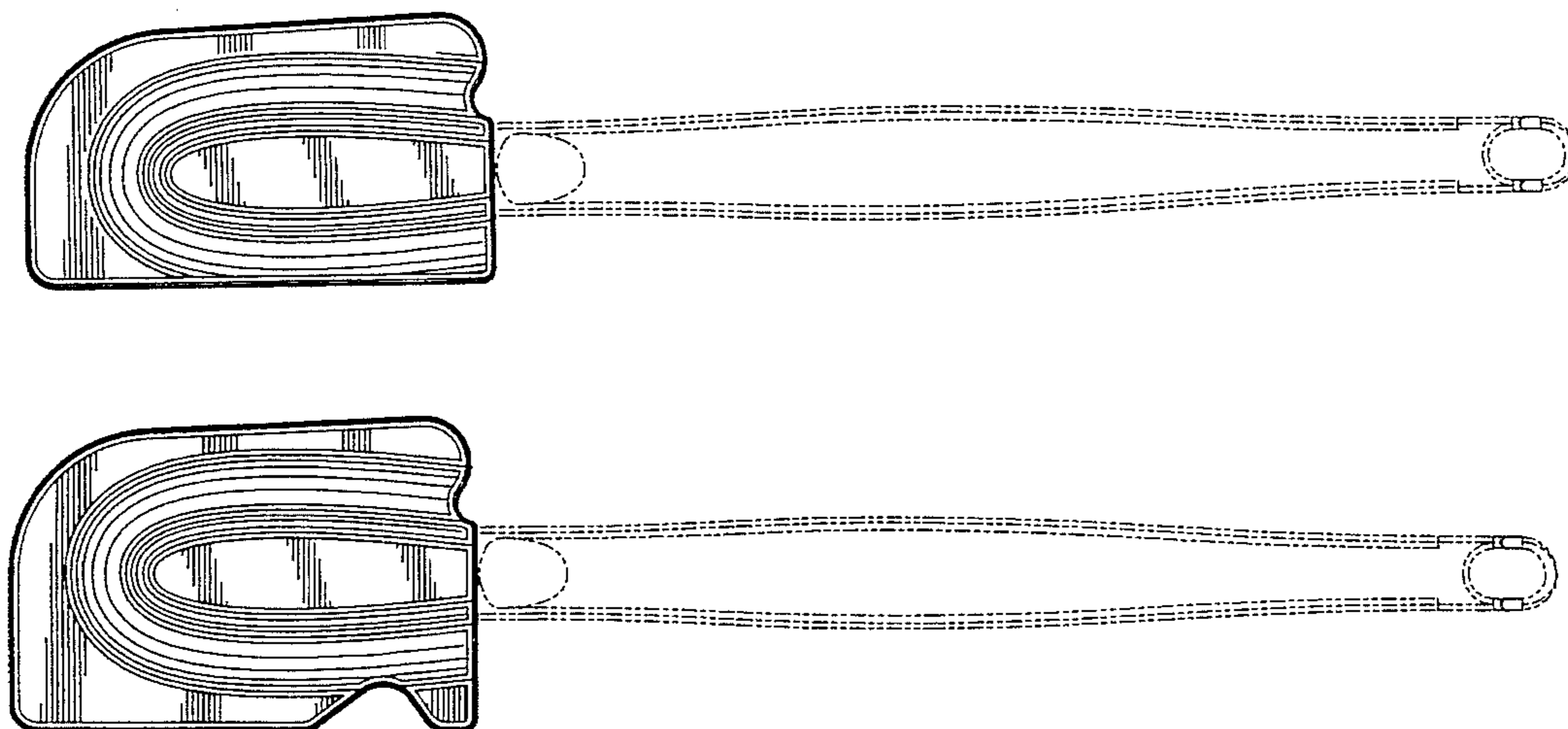
FIG. 9 is a top plan view of the alternate embodiment;

FIG. 10 is a bottom plan view of the alternate embodiment;

FIG. 11 is a right side elevational view of the alternate embodiment; and,

FIG. 12 is a left side elevational view of the alternate embodiment.

1 Claim, 6 Drawing Sheets



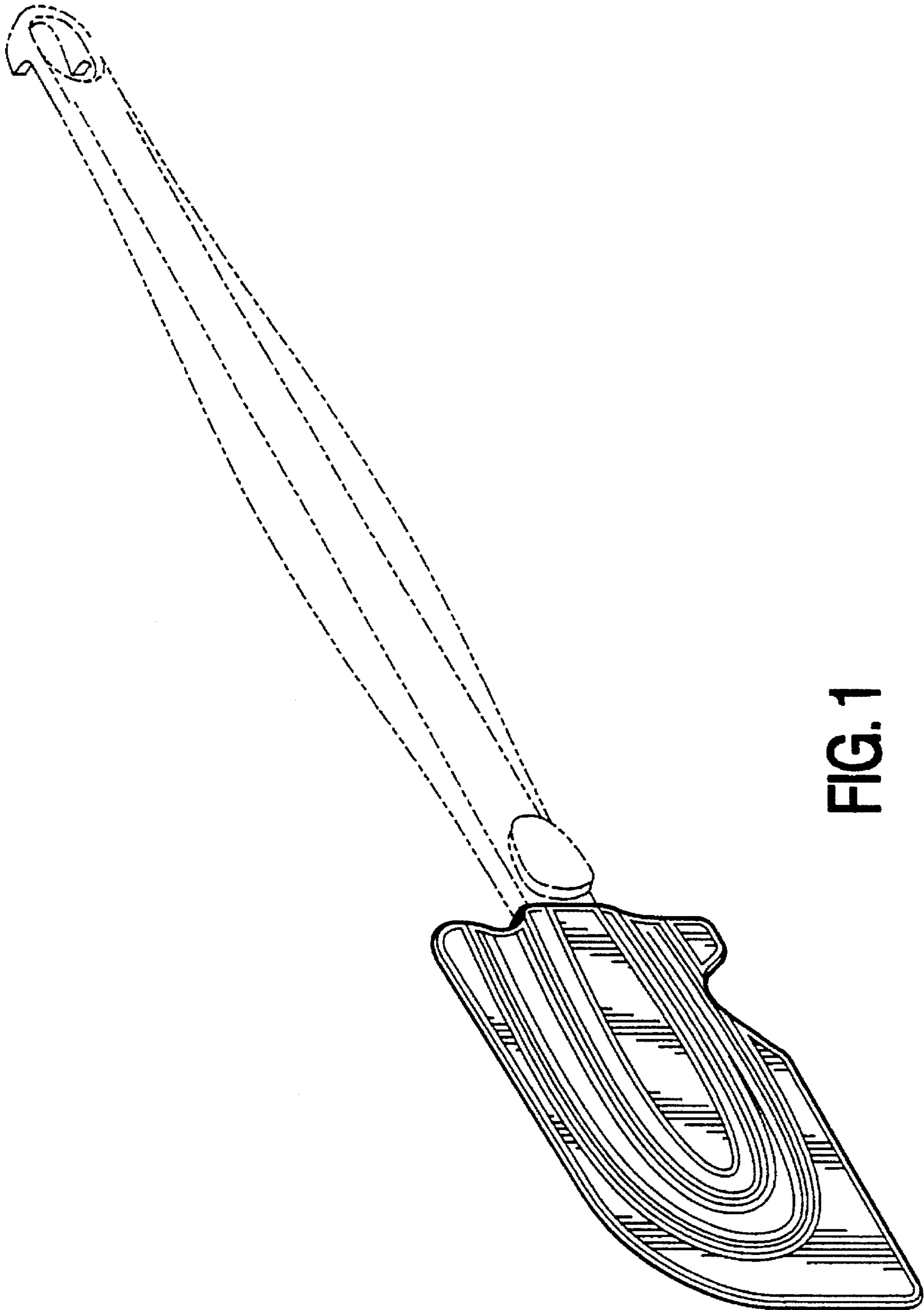


FIG. 1

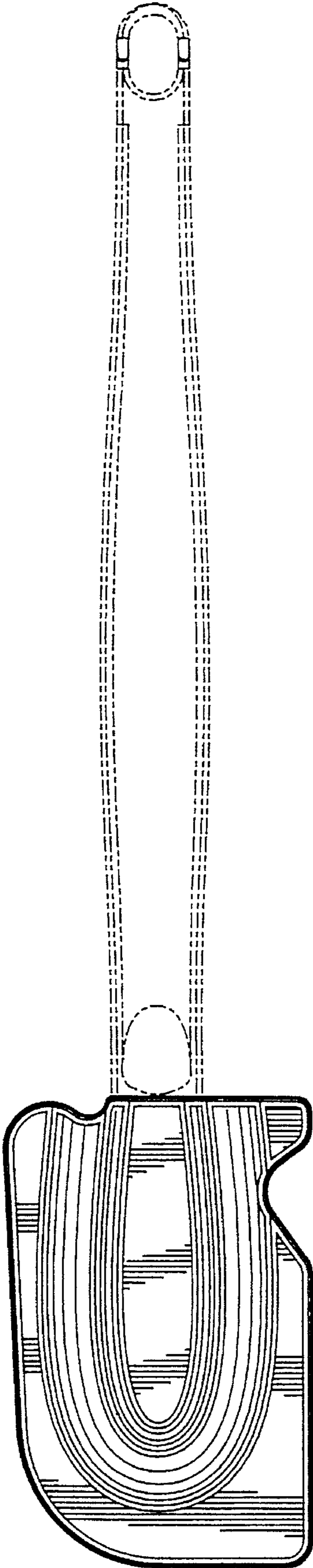


FIG. 2

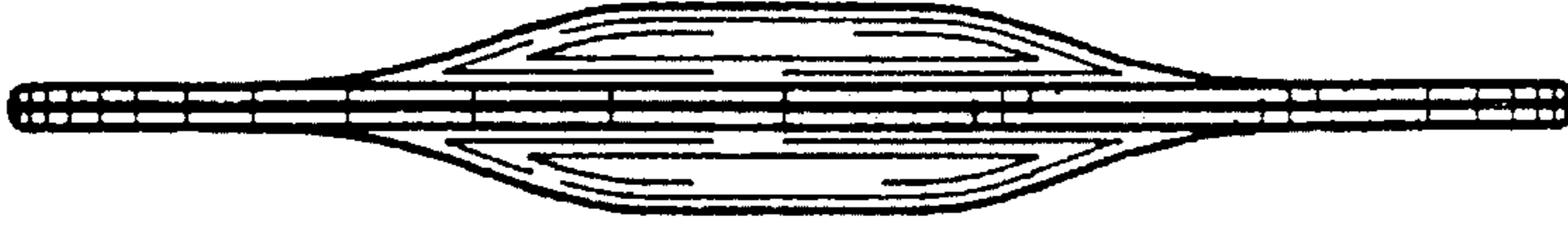


FIG. 6

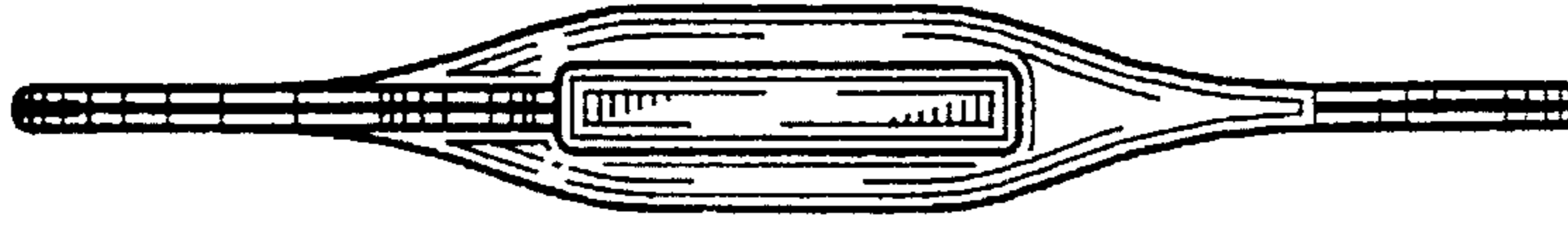


FIG. 5



FIG. 3



FIG. 4

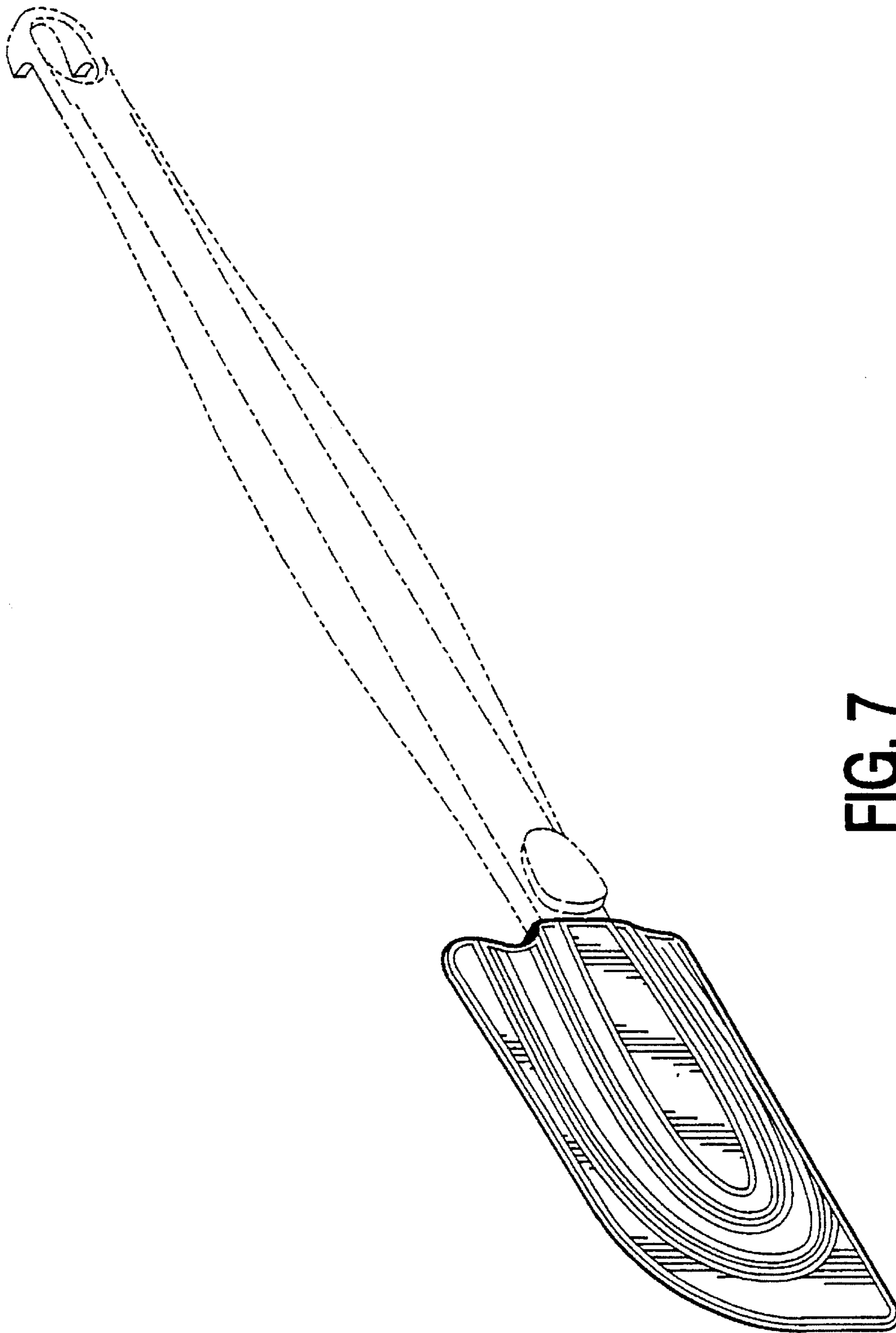


FIG. 7

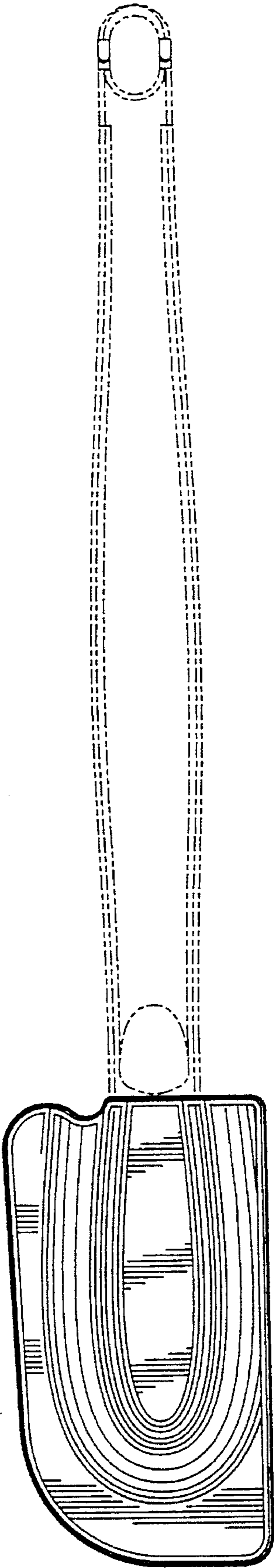


FIG. 8

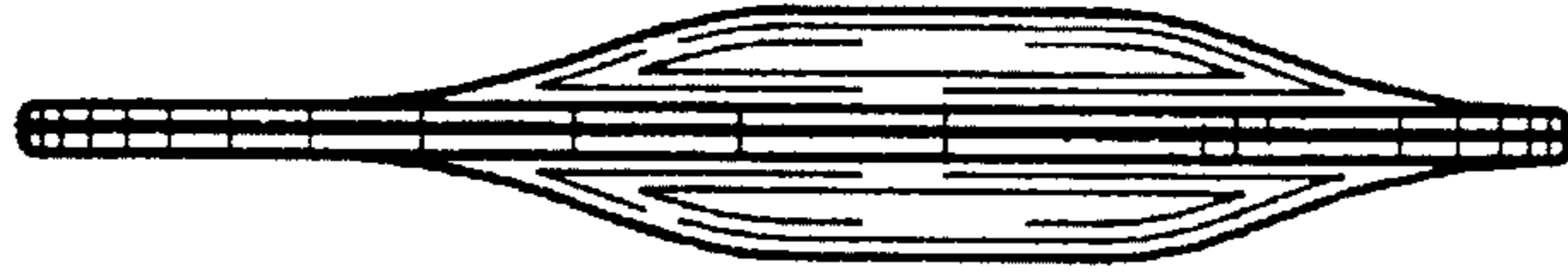


FIG. 12

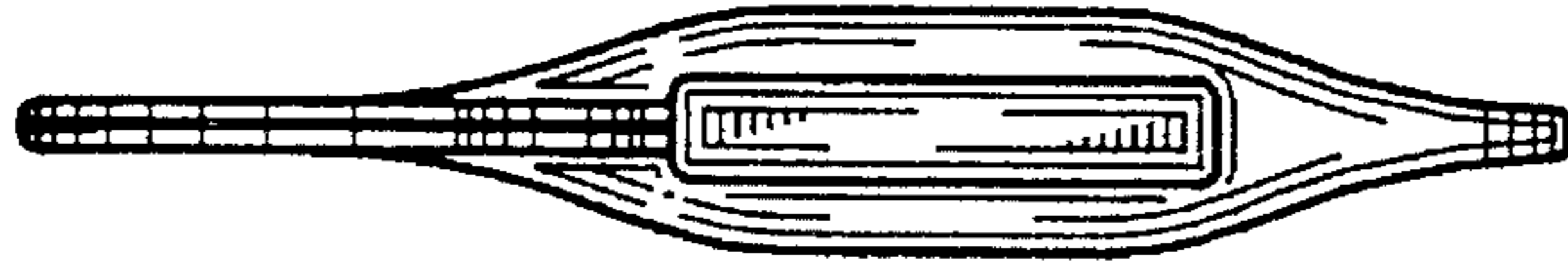


FIG. 11



FIG. 9



FIG. 10