



US00D368204S

United States Patent [19]

[11] Patent Number: Des. 368,204

Jonke

[45] Date of Patent: **Mar. 26, 1996

[54] BLENDER BASE

[76] Inventor: Maria Jonke, Munzgasse 1, A-5202 Salzburg, Austria

[**] Term: 14 Years

[21] Appl. No.: 16,745

[22] Filed: Dec. 22, 1993

[52] U.S. Cl. D7/386

[58] Field of Search D7/376-378, 386, D7/412, 413; 366/129, 130, 197, 199, 204, 205, 314; 241/282.1

[56] **References Cited**

U.S. PATENT DOCUMENTS

D. 215,569	10/1969	Levin	D7/378	X
D. 215,680	10/1969	Hanson et al.	D7/378	X
D. 220,236	3/1971	Greubel	D7/378	
3,596,692	8/1971	Swanke	241/199.12	
3,612,969	10/1971	Cockroft	318/123	
3,833,845	9/1974	Smallbone et al.	388/839	
3,943,421	3/1976	Shibata et al.	99/324	X

OTHER PUBLICATIONS

(Undated) G. E. C. Electronics ag—brochure. Merchandising Week; Jan. 10, 1966; p. 24; Lady Vanity Blender top right.

Primary Examiner—Alan P. Douglas
Assistant Examiner—Caron D. Veynar
Attorney, Agent, or Firm—Curtis, Morris & Safford; Gregor N. Neff

[57] **CLAIM**

The ornamental design for a blender base, as shown and described.

DESCRIPTION

FIG. 1 is a top front perspective view of a blender base showing my new design, the broken line showing of a blender container is environmental only and forms no part of the claimed design;

FIG. 2 is a top plan view;

FIG. 3 is a front elevation view;

FIG. 4 is a right side elevation view;

FIG. 5 is a rear elevation view;

FIG. 6 is a left side elevation view; and,

FIG. 7 is a bottom plan view.

1 Claim, 5 Drawing Sheets

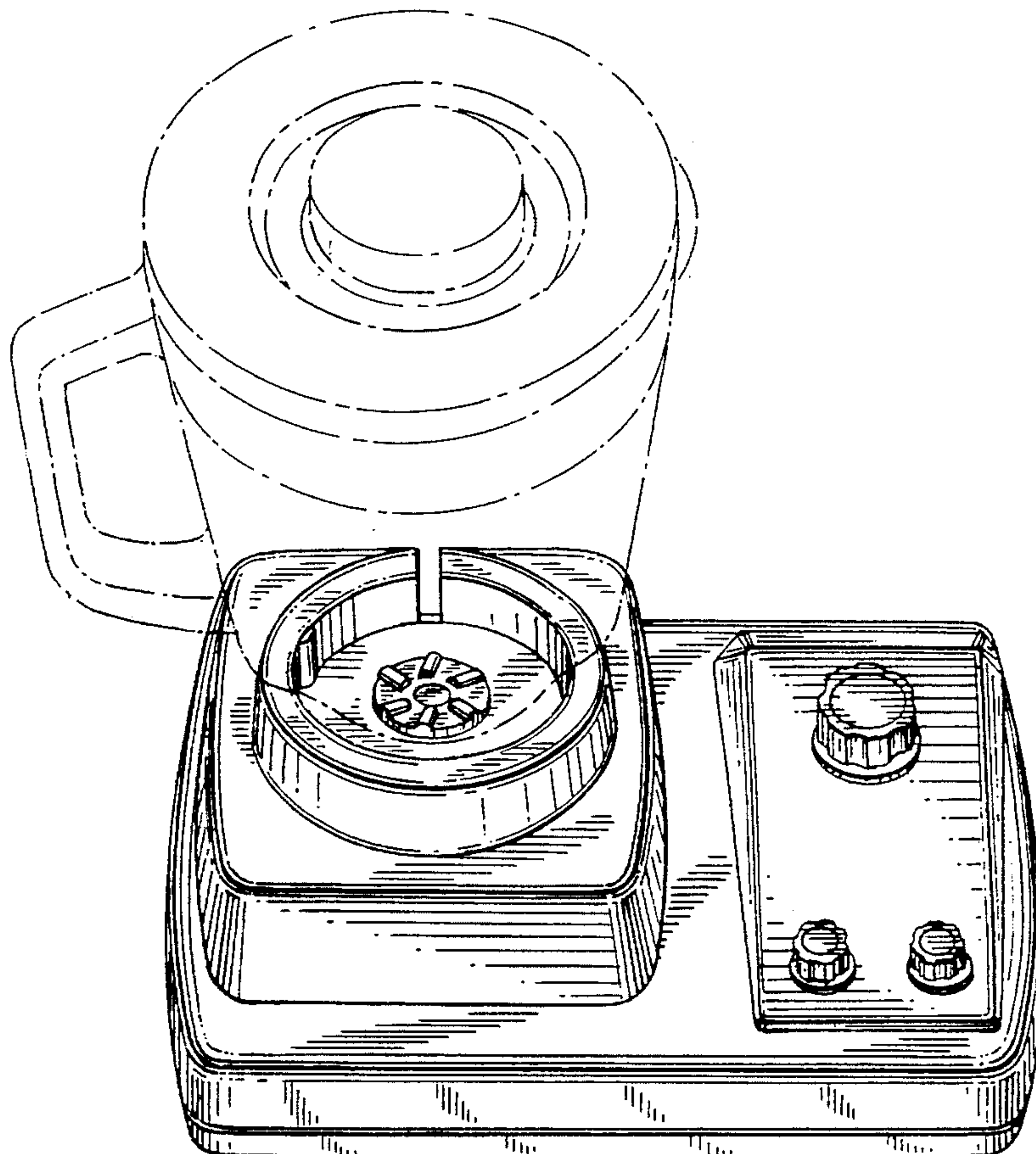


FIG. 1

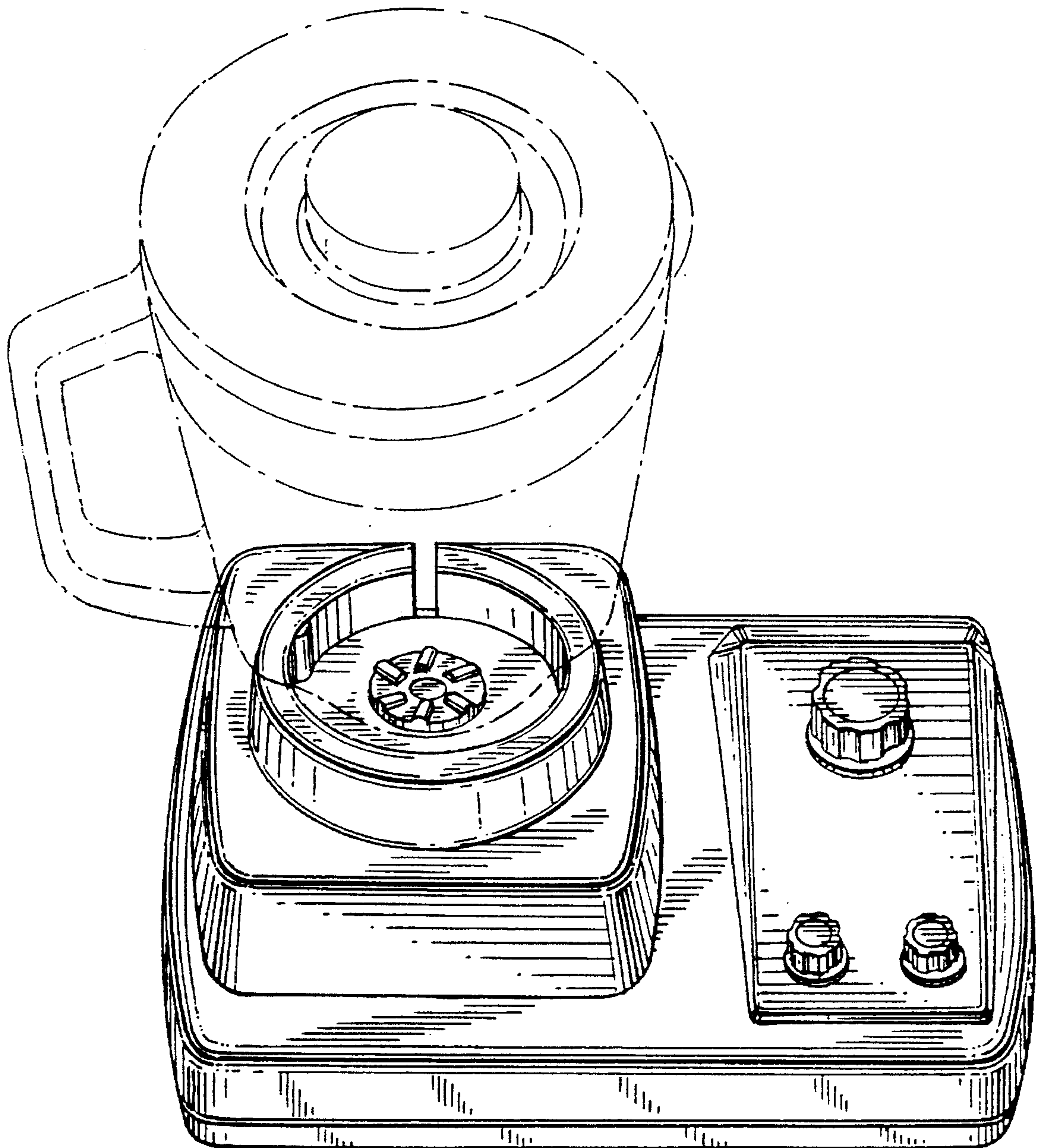


FIG. 2

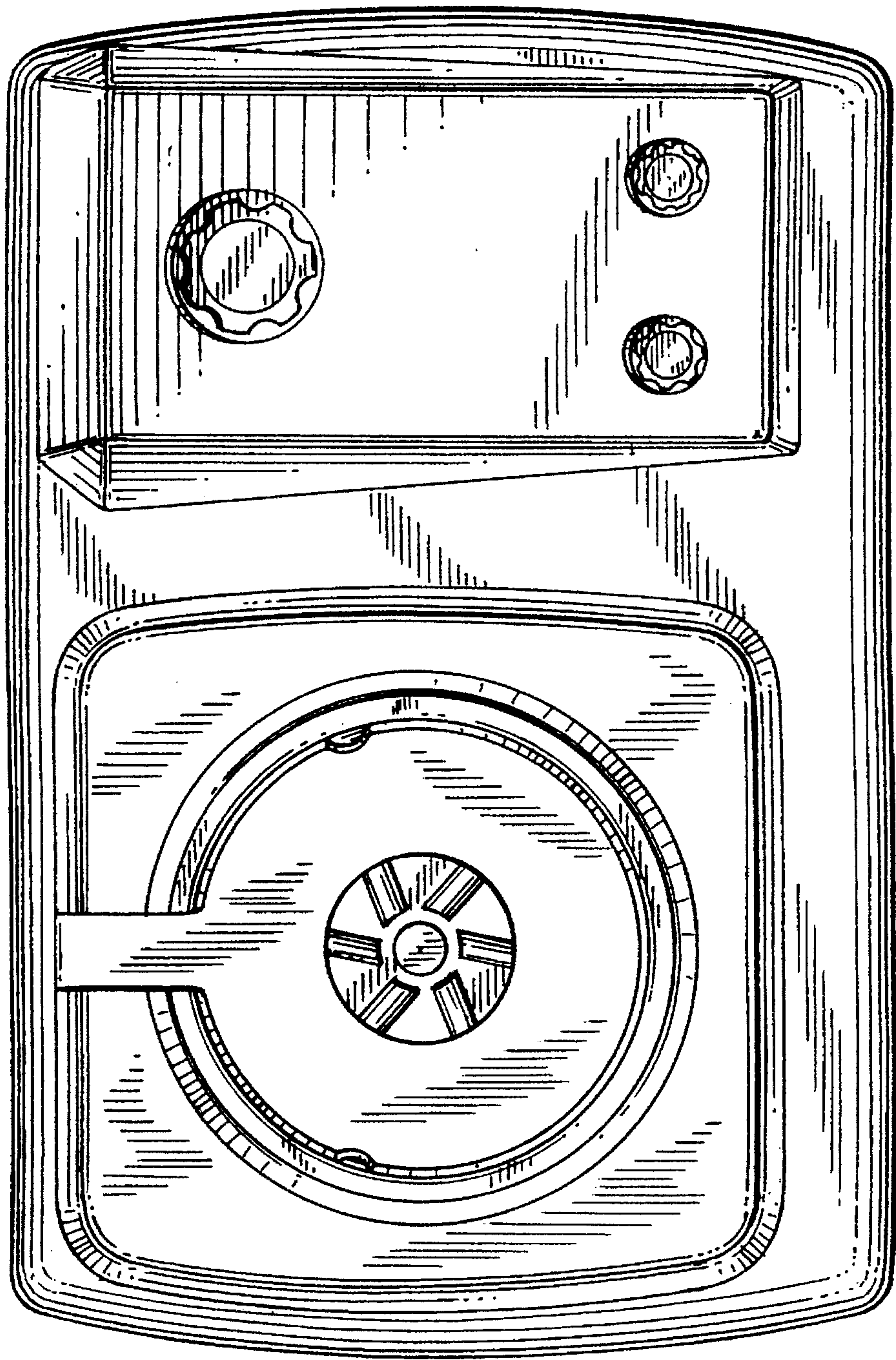


FIG. 3

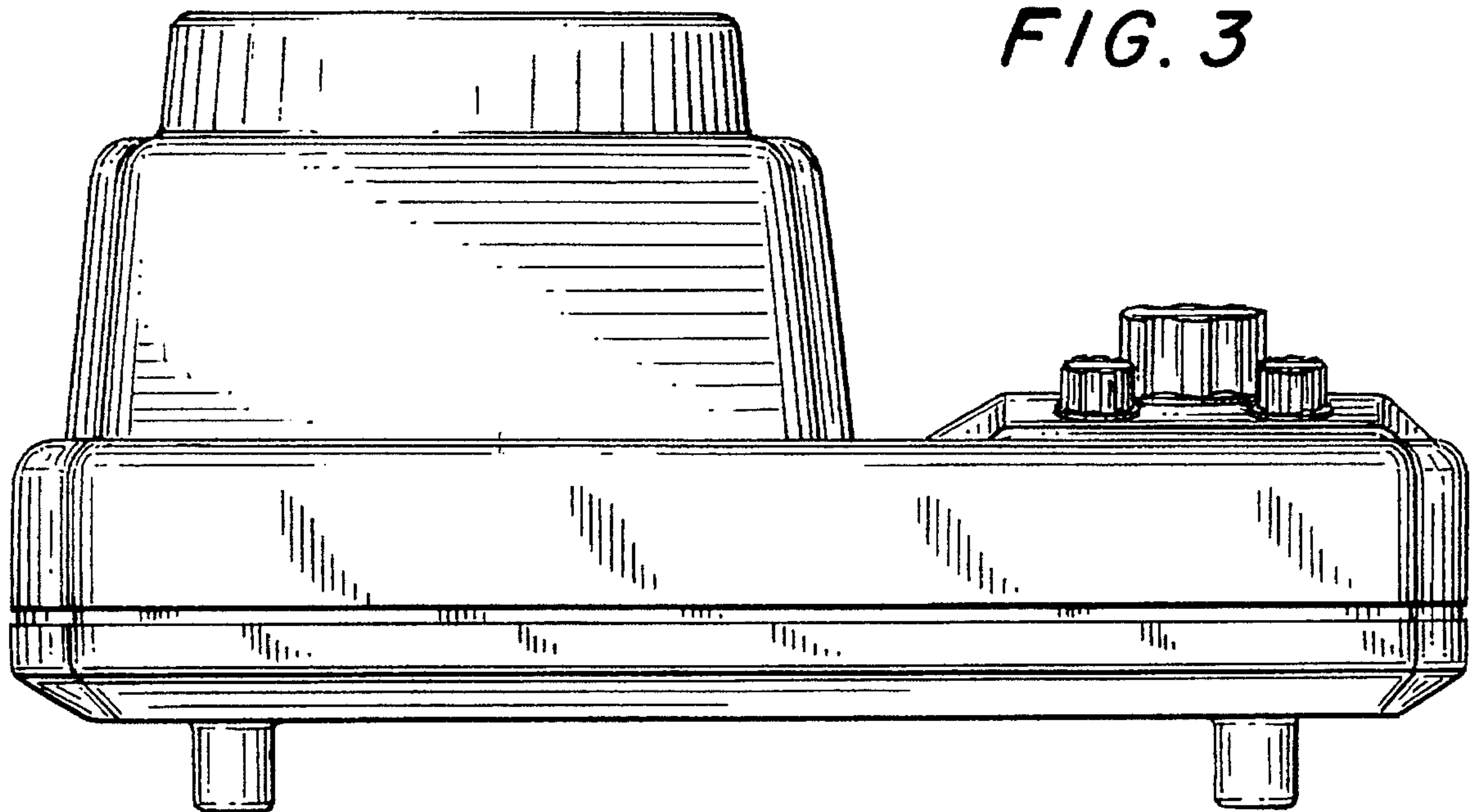


FIG. 4

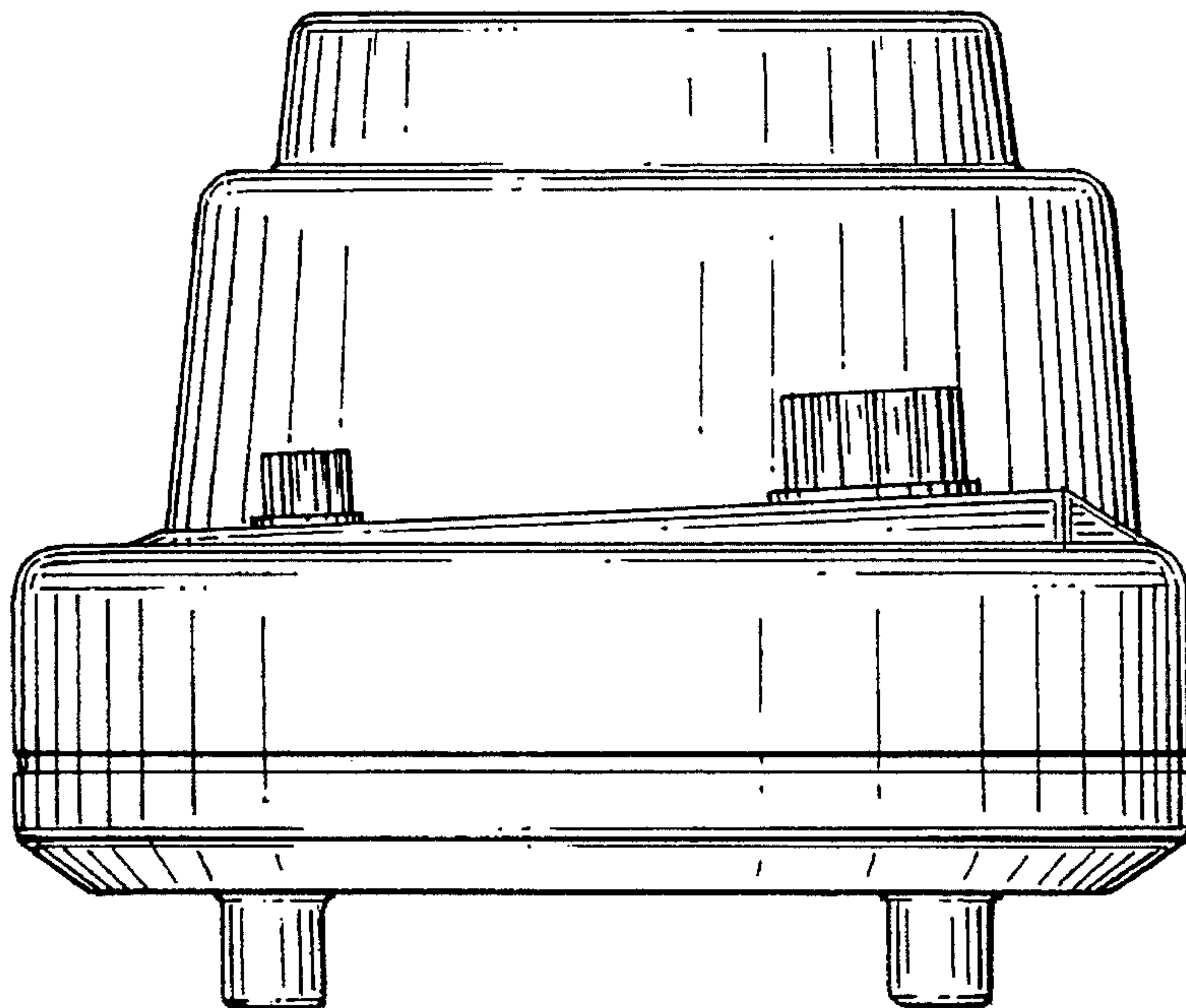


FIG. 5

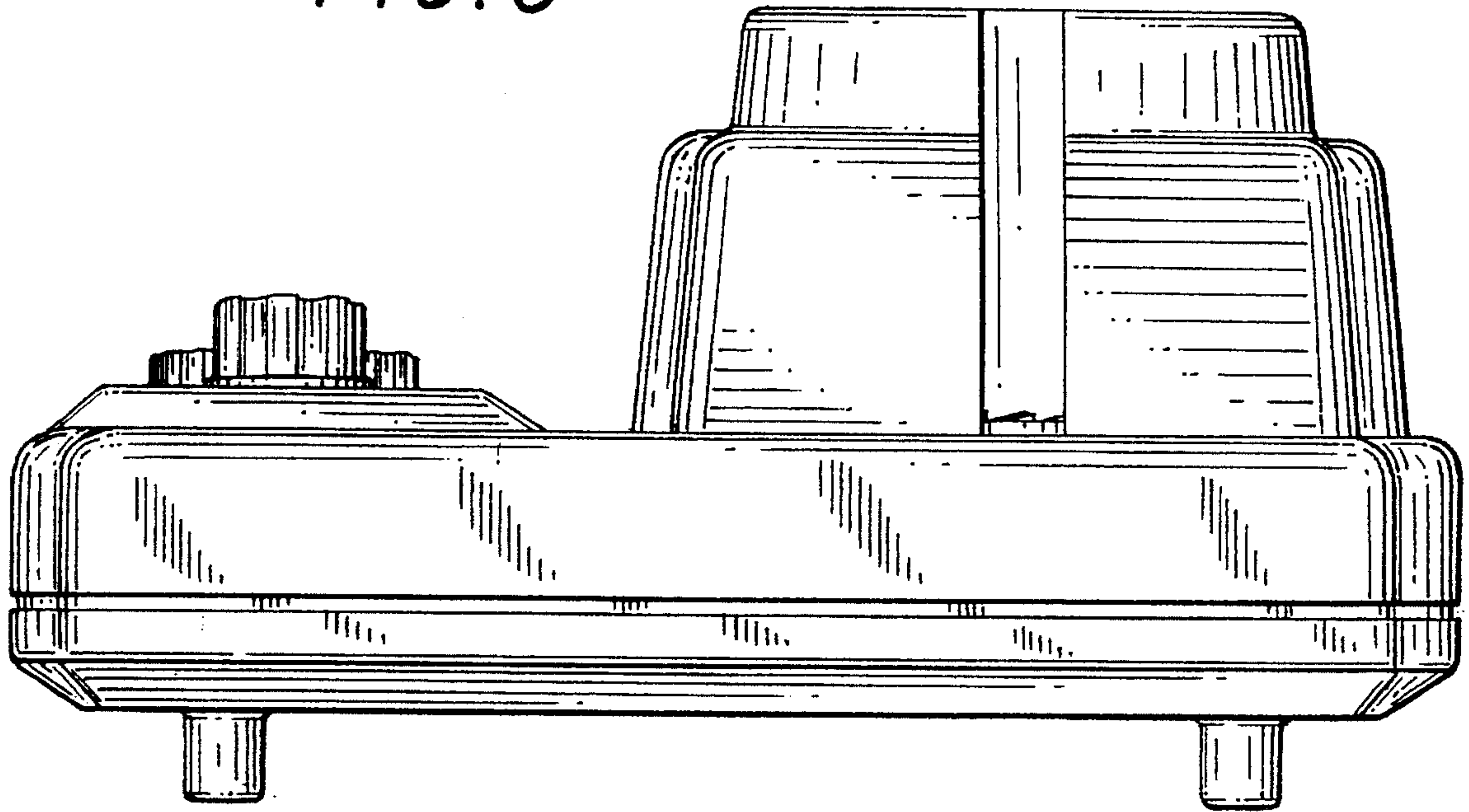


FIG. 6

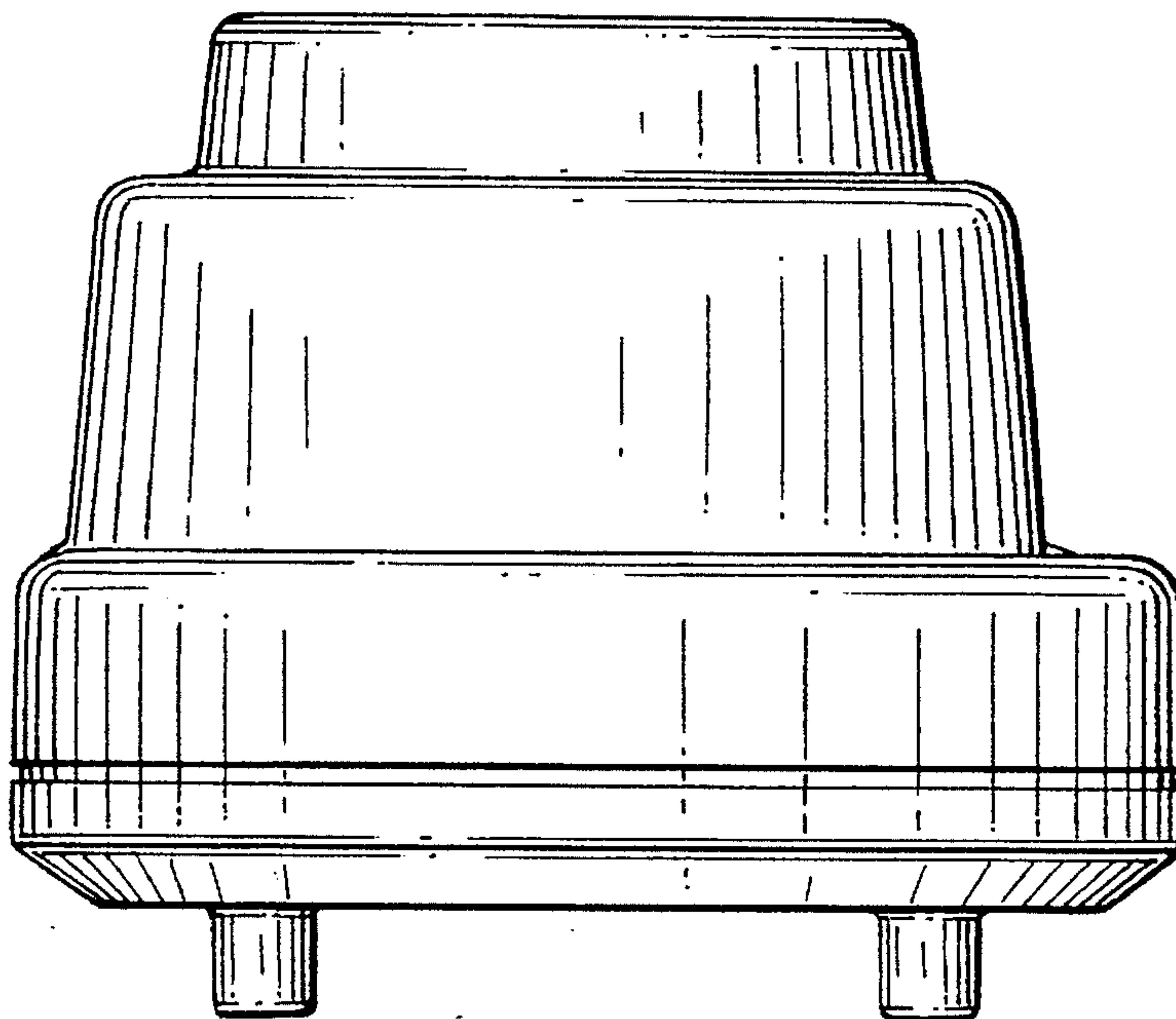


FIG. 7

