



US00D368203S

**United States Patent** [19]  
**Hsu**

[11] **Patent Number:** **Des. 368,203**

[45] **Date of Patent:** **\*\*Mar. 26, 1996**

[54] **PASTA MAKER**

4,219,318 8/1980 Cavalli ..... D7/376 X

[75] Inventor: **Maxwell Hsu**, Taipei, Taiwan

*Primary Examiner*—Carmen H. Vales-Lado

*Assistant Examiner*—Caron D. Veynar

*Attorney, Agent, or Firm*—Fields, Lewis & Rost

[73] Assignee: **Airlux Electrical Co., Ltd.**, Taipei, Taiwan

[57] **CLAIM**

[\*\*] Term: **14 Years**

The ornamental design for the pasta maker, as shown and described.

[21] Appl. No.: **17,538**

**DESCRIPTION**

[22] Filed: **Jan. 14, 1994**

[52] **U.S. Cl.** ..... **D7/376**

FIG. 1 is a perspective view of the pasta maker design of this invention;

FIG. 2 is a top plan view thereof;

FIG. 3 is a front elevation thereof;

FIG. 4 is a rear elevation thereof;

FIG. 5 is a left side elevation thereof;

FIG. 6 is a right side elevation thereof; and,

FIG. 7 is a bottom plan view thereof.

[58] **Field of Search** ..... D7/376, 381, 386,  
D7/601, 368; 366/91, 92, 98; 425/190,  
191, 204, 205

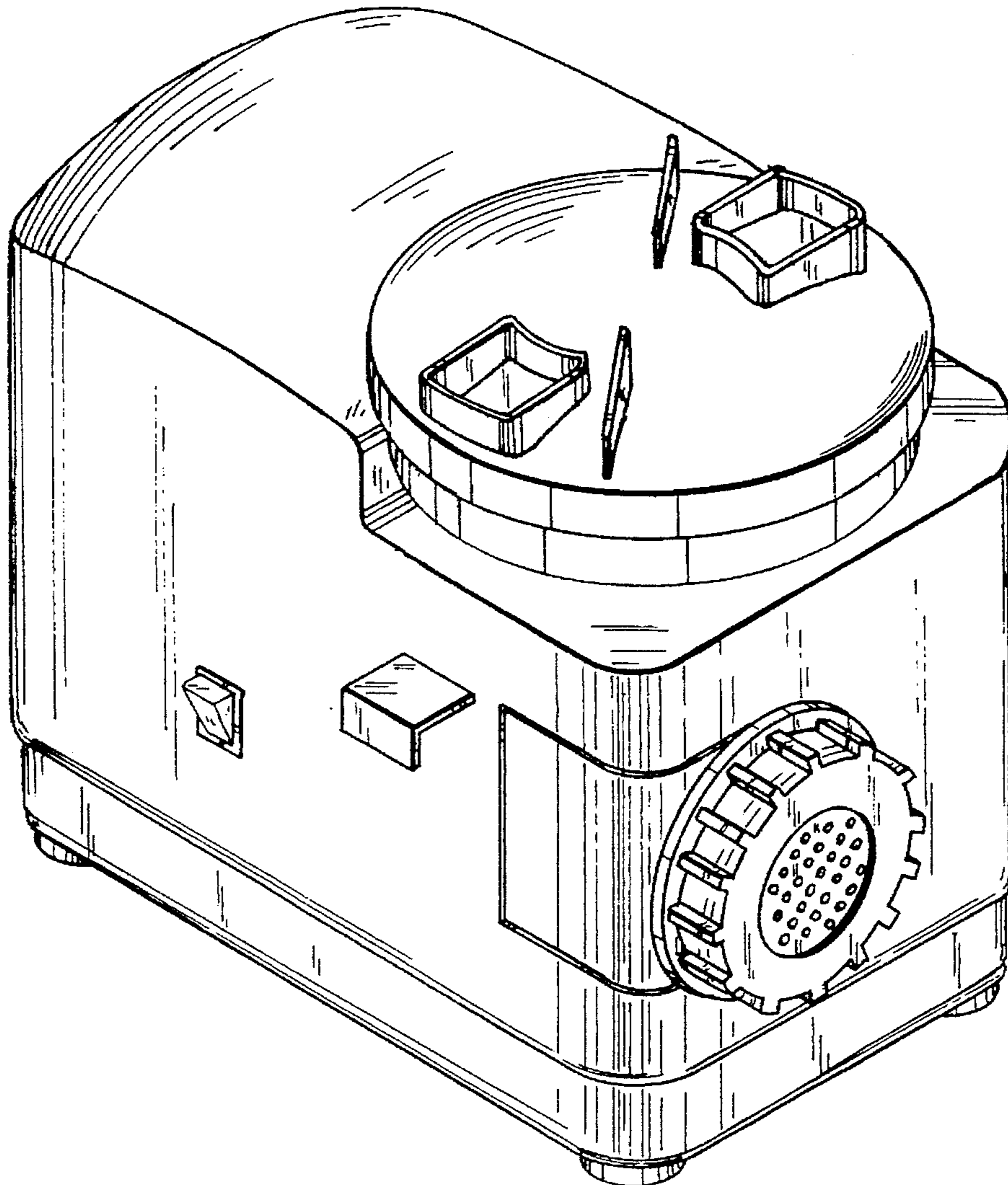
[56] **References Cited**

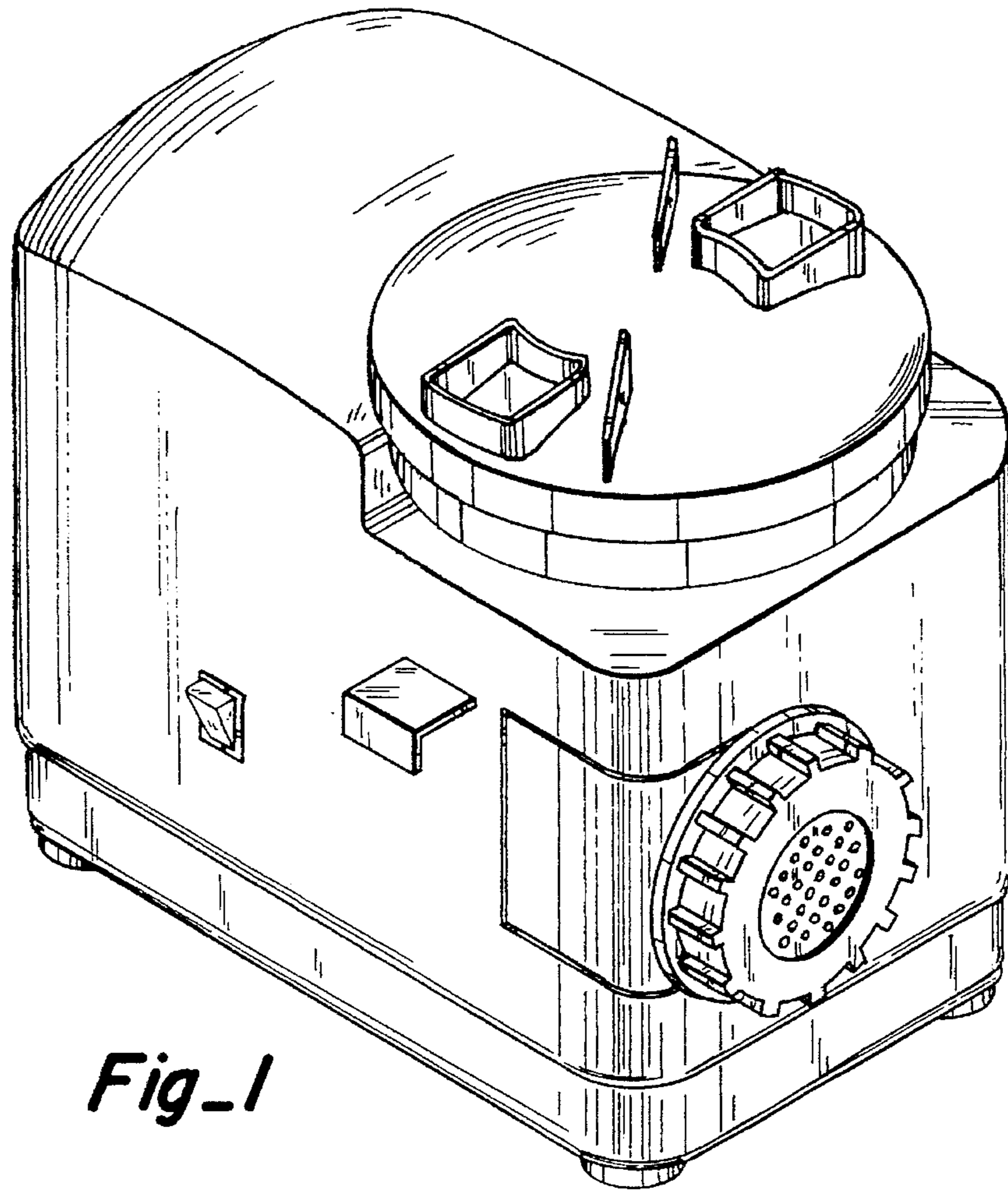
**U.S. PATENT DOCUMENTS**

D. 267,771 2/1983 Cavalli ..... D7/376

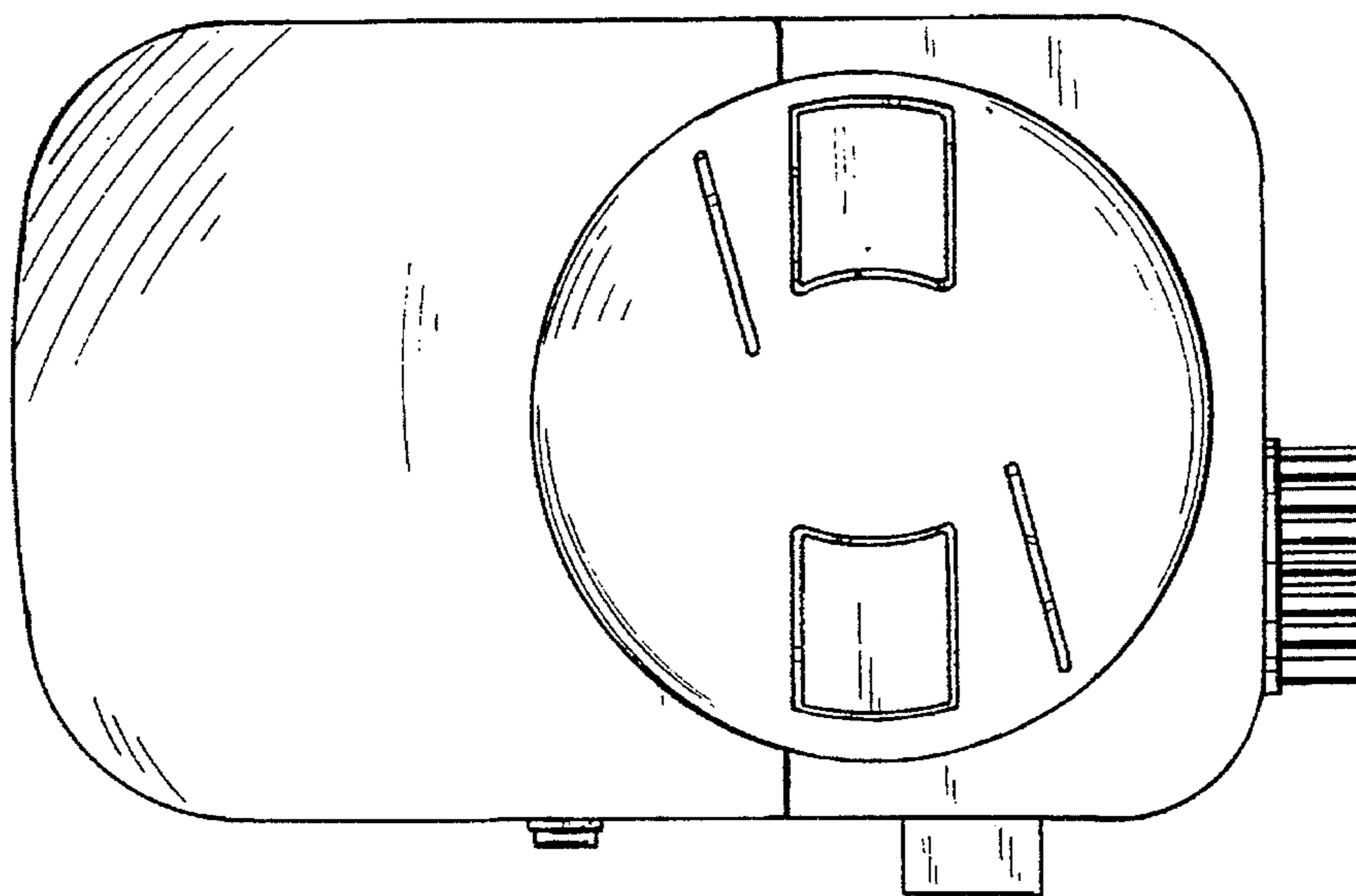
D. 343,762 2/1994 Pagani ..... D7/376 X

**1 Claim, 4 Drawing Sheets**

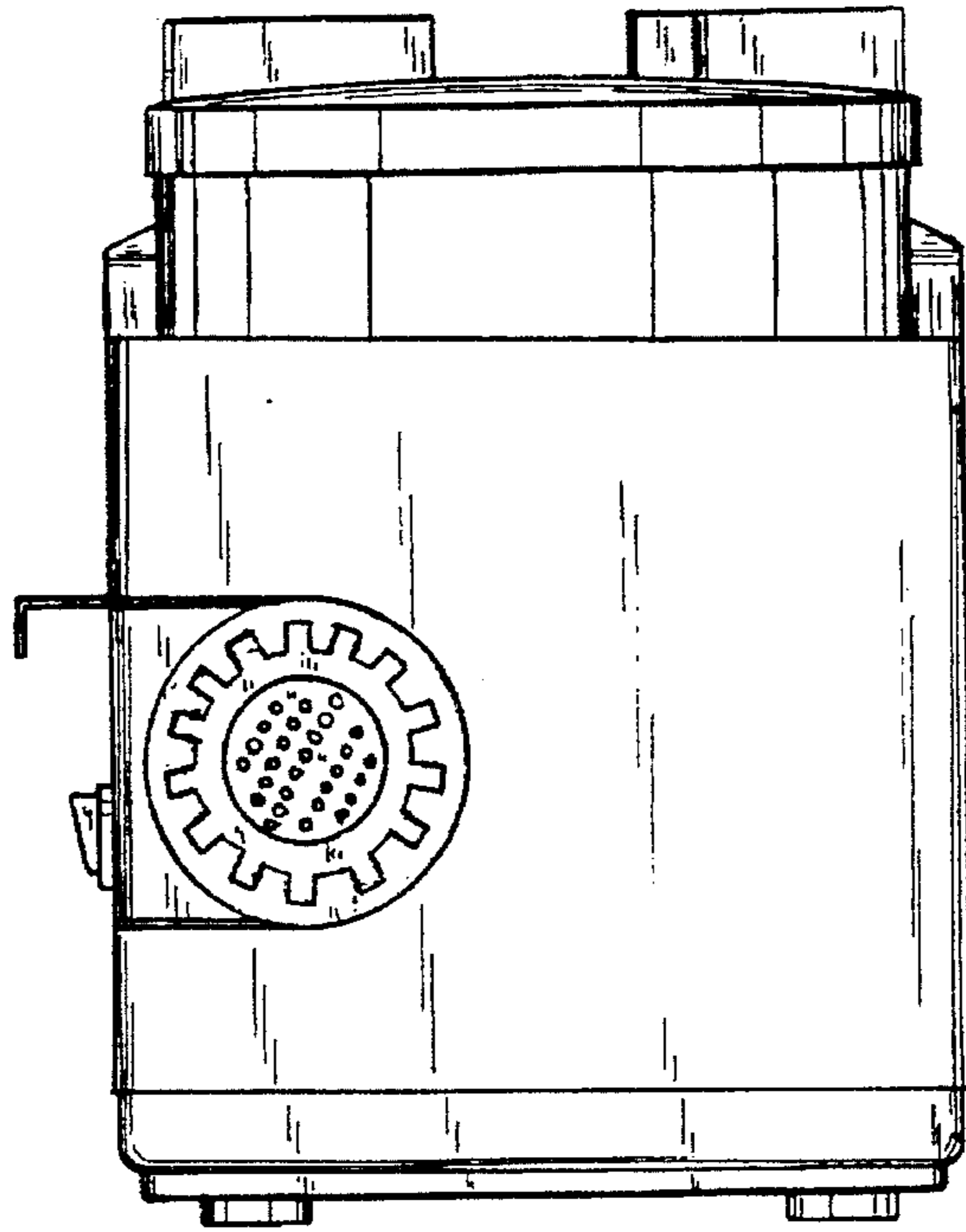




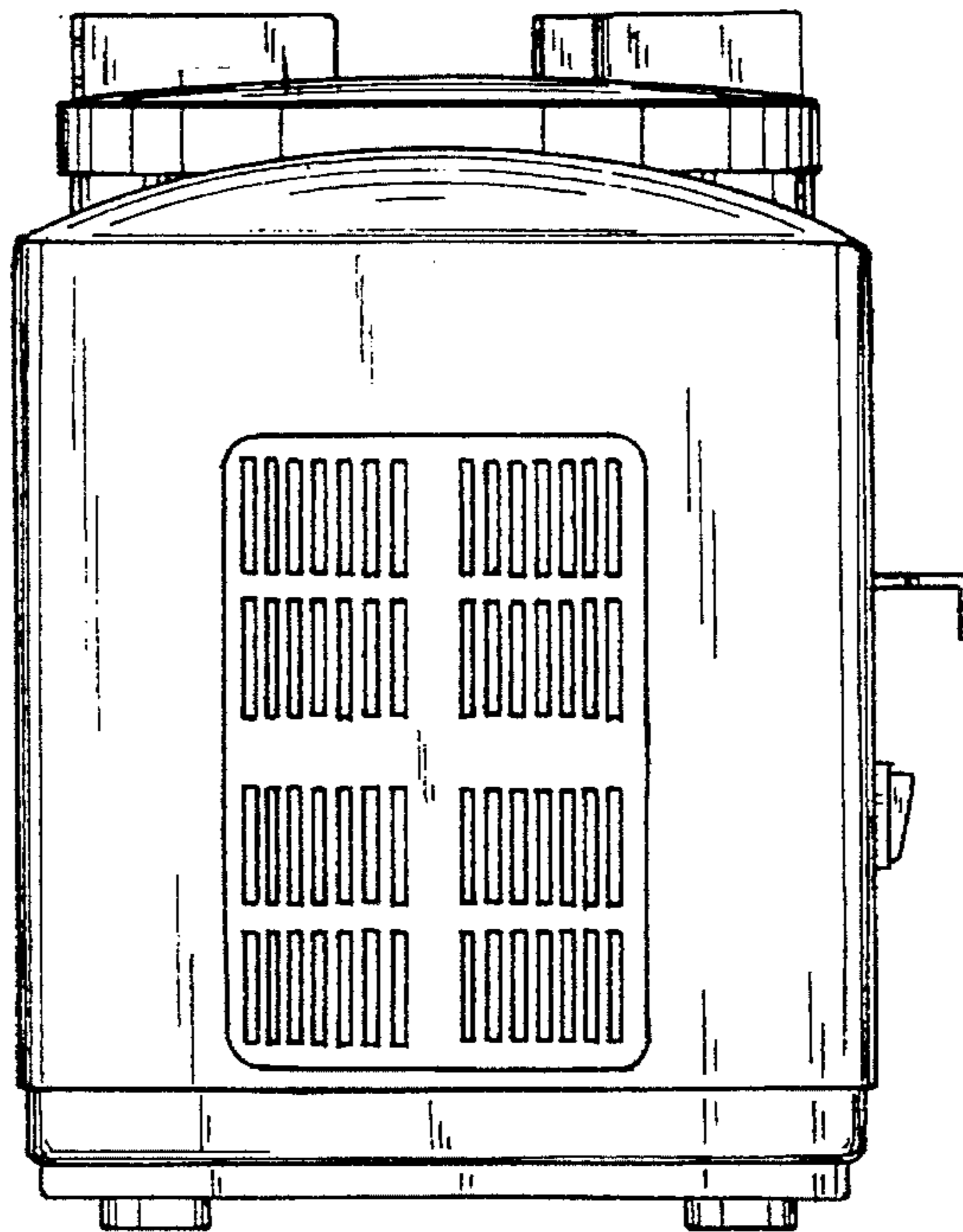
*Fig-1*



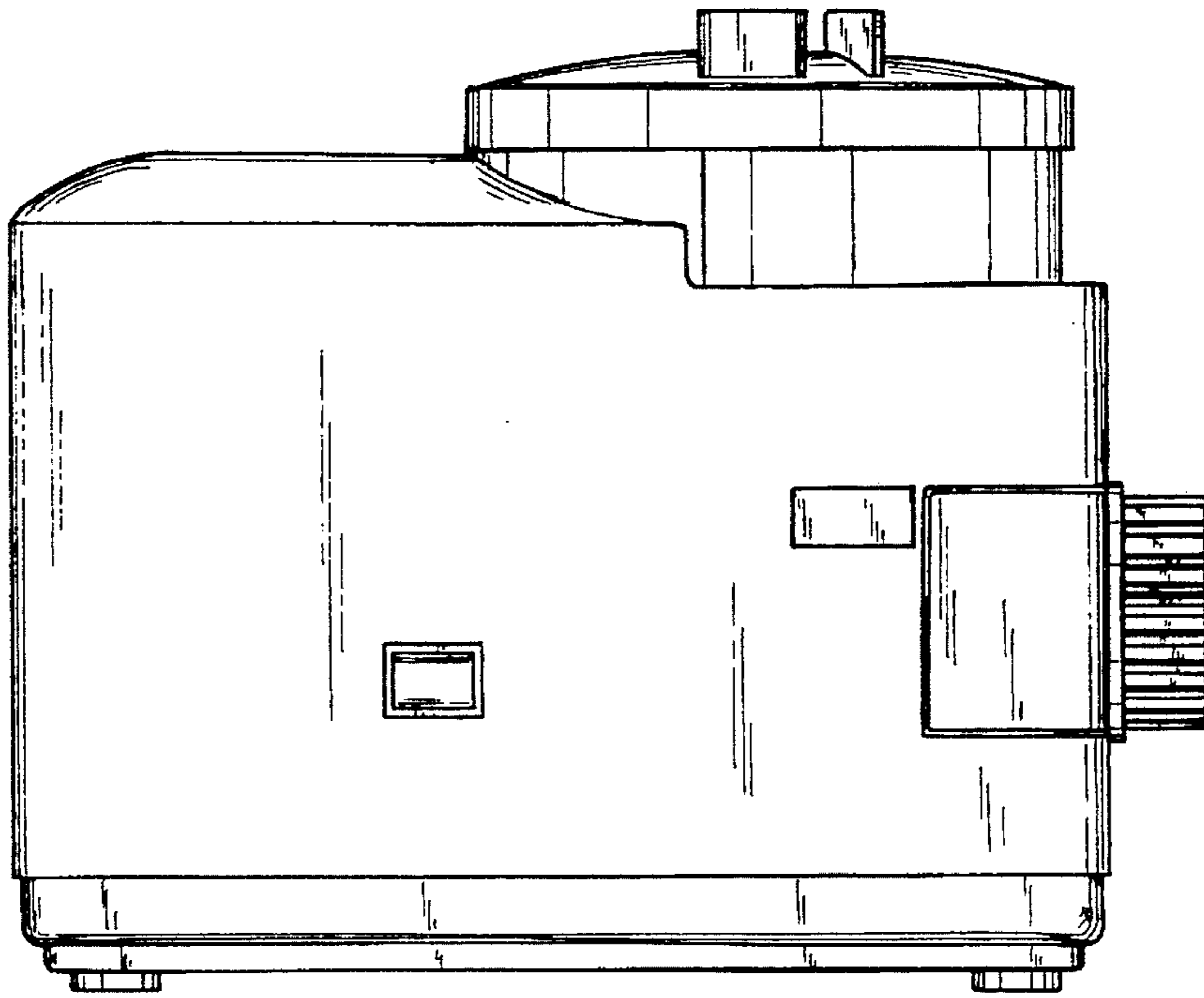
*Fig-2*



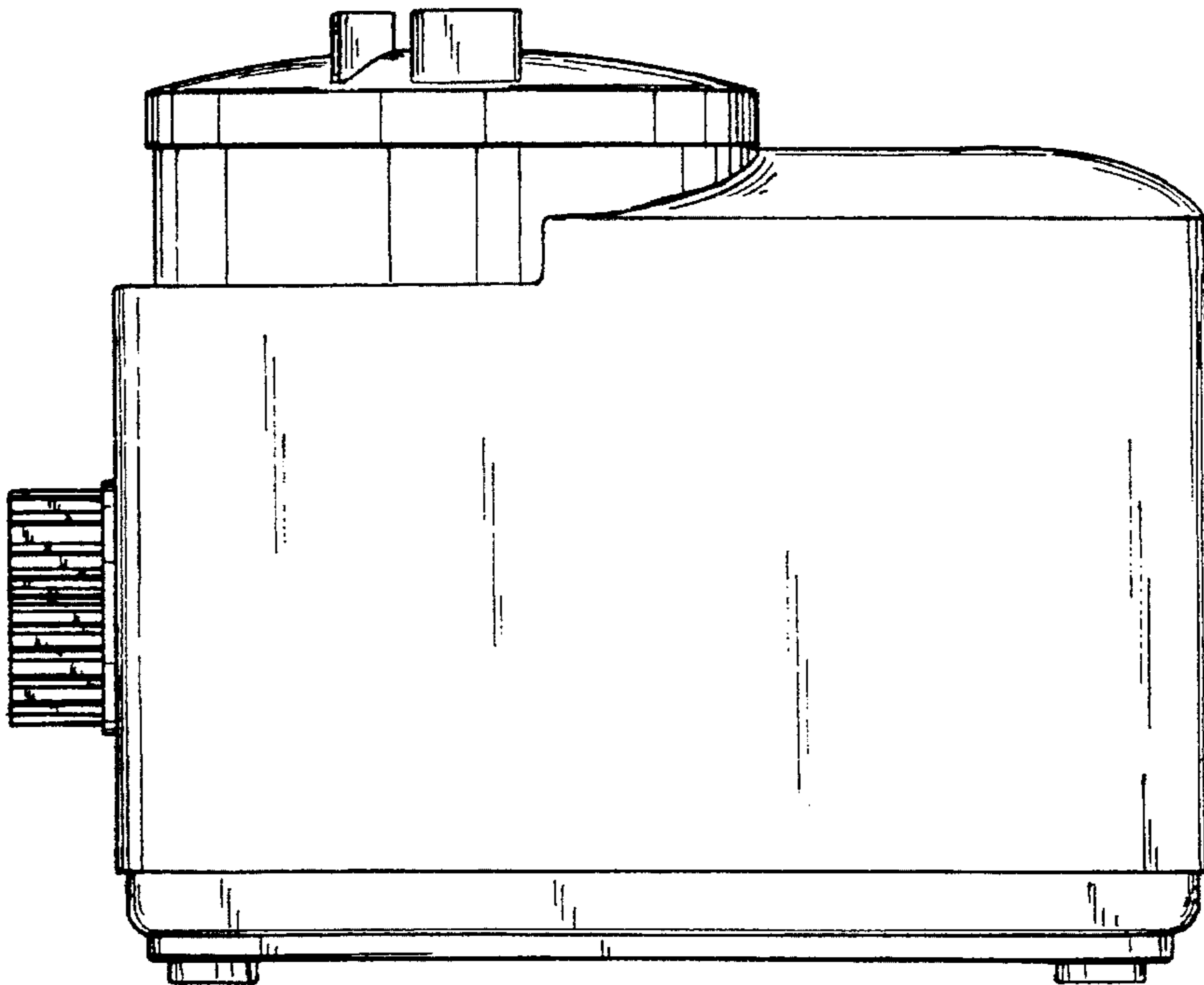
*Fig\_3*



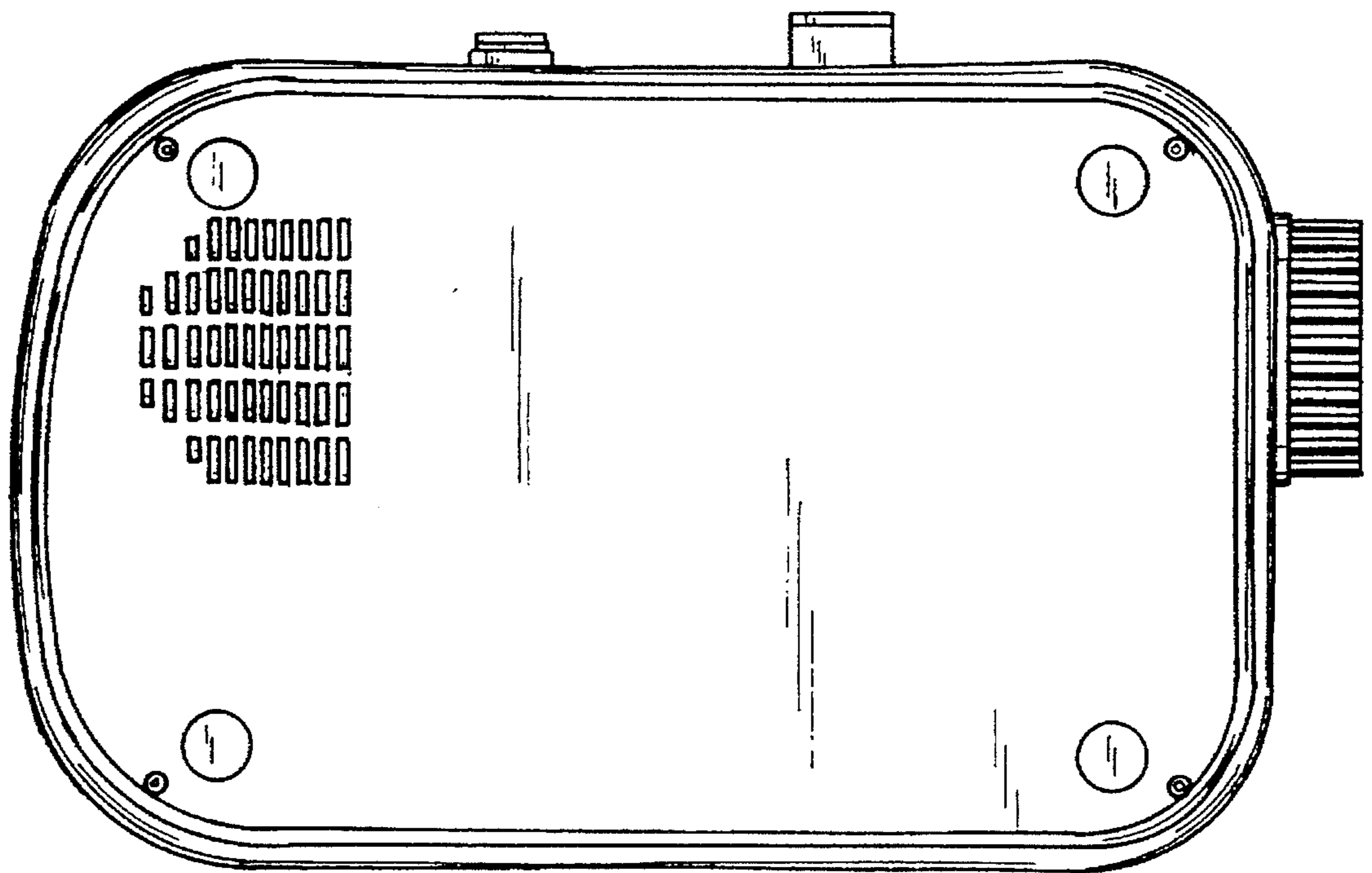
*Fig\_4*



*Fig\_5*



*Fig\_6*



*Fig - 7*