



US00D368202S

United States Patent [19]
Goble

[11] **Patent Number: Des. 368,202**

[45] **Date of Patent: **Mar. 26, 1996**

[54] **SCALING, PEELING, MIXING, GRINDING,
AND CLEANING MACHINE**
[76] Inventor: **Rowland H. Goble**, 145 W. Crystal
Lake Ave., Lake Mary, Fla. 32746-2913
[**] Term: **14 Years**
[21] Appl. No.: **36,689**
[22] Filed: **Mar. 24, 1995**
[52] U.S. Cl. **D7/372; 99/584**
[58] **Field of Search** **D7/693, 368, 372;**
99/584, 588, 501, 502, 505, 521, 522, 603

5,427,015 6/1995 Zittel 99/348

Primary Examiner—Louis S. Zarfaz
Assistant Examiner—Frank Martinez
Attorney, Agent, or Firm—William M. Hobby, III

[57] **CLAIM**

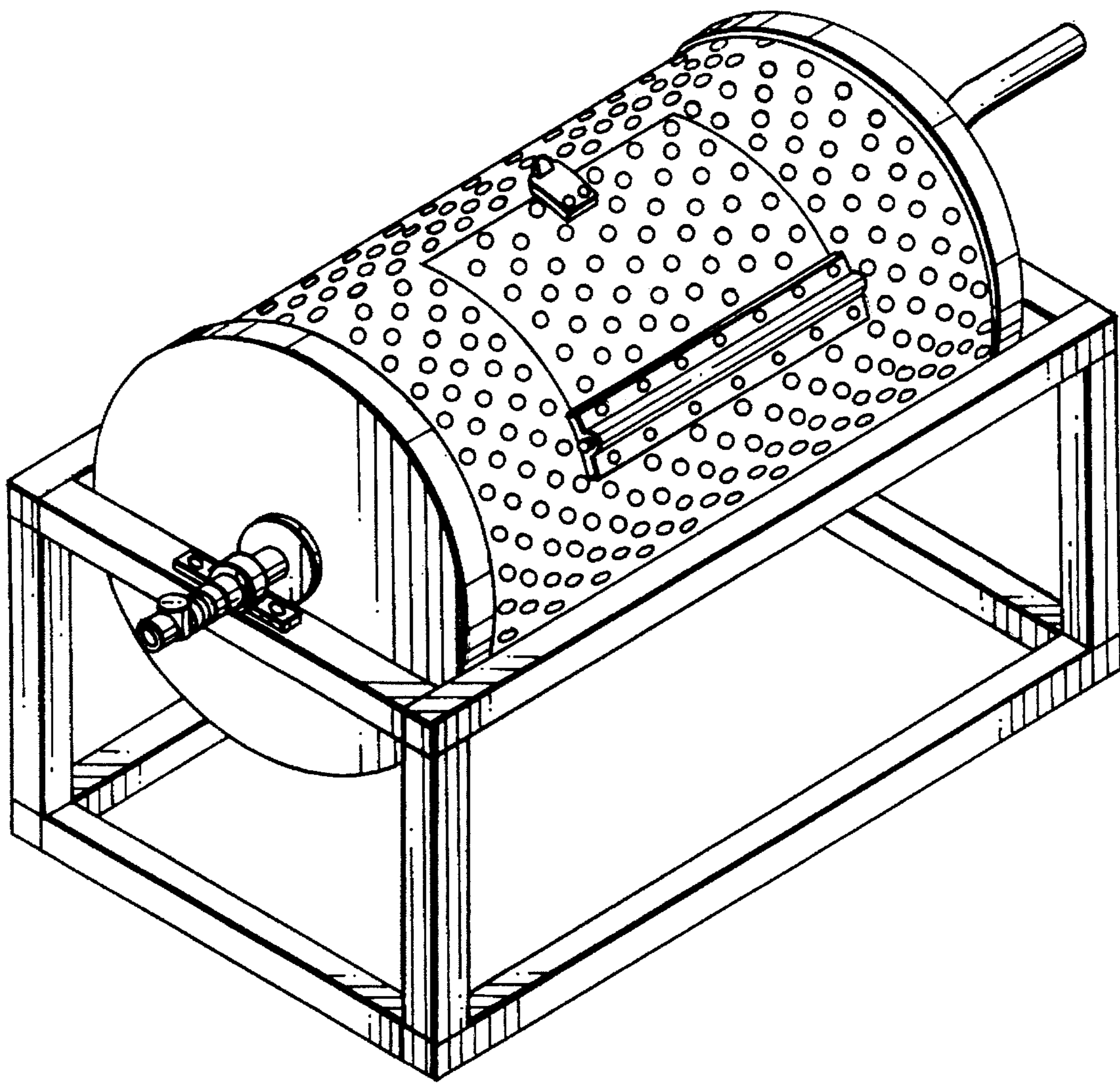
The ornamental design for a scaling, peeling, mixing, grinding, and cleaning machine design, as shown.

DESCRIPTION

FIG. 1 is a top front perspective view of my new scaling, peeling, mixing, grinding, and cleaning machine; FIG. 2 is a top plan view; FIG. 3 is a rear side elevation; FIG. 4 is a left side elevation; FIG. 5 is a right side elevation; and, FIG. 6 is a bottom plan view.

[56] **References Cited**
U.S. PATENT DOCUMENTS
290,288 12/1883 Todd 99/603 X
D. 343,985 2/1994 Roth D7/368
1,717,647 6/1929 Barody 99/584 X

1 Claim, 1 Drawing Sheet



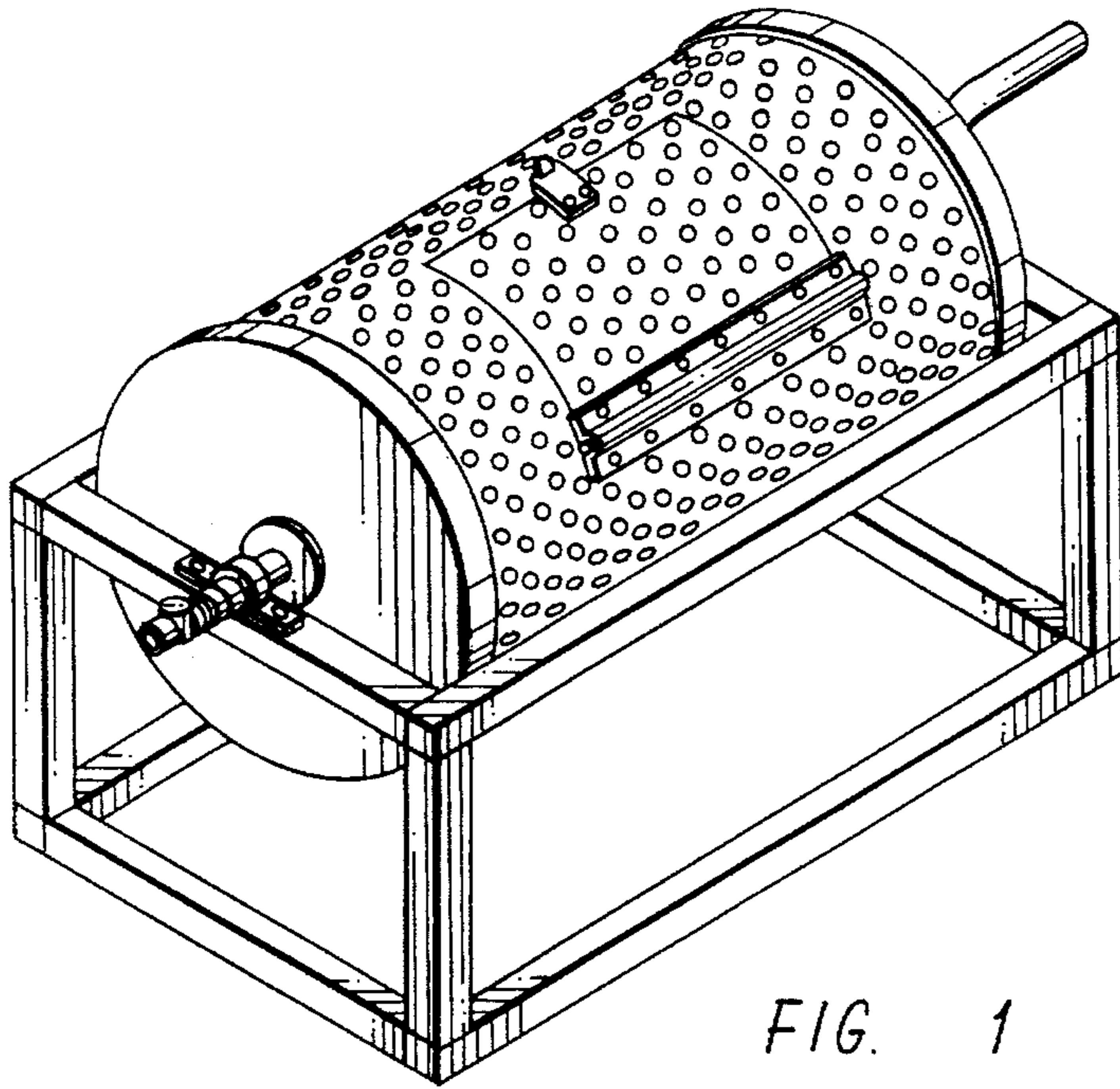


FIG. 1

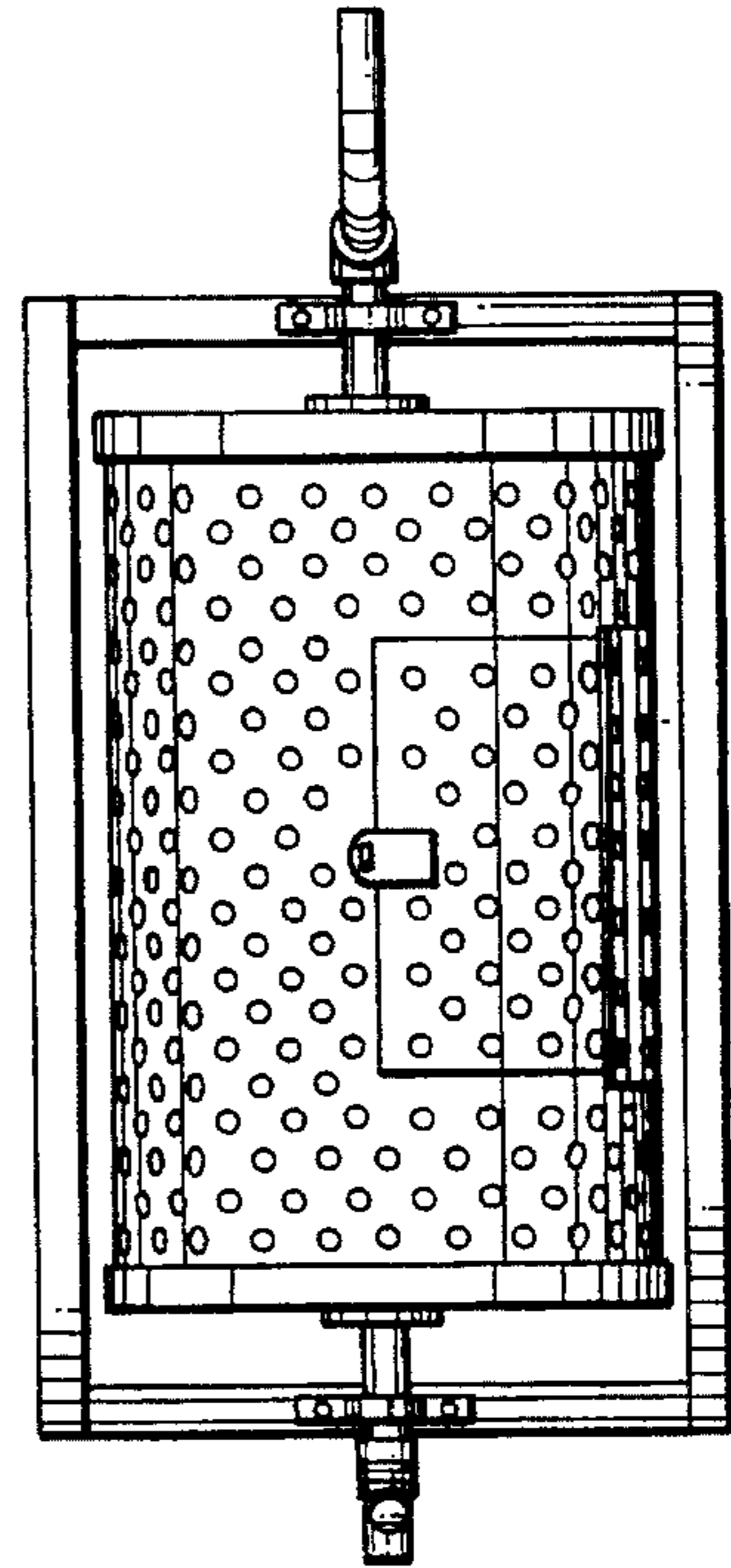


FIG. 2

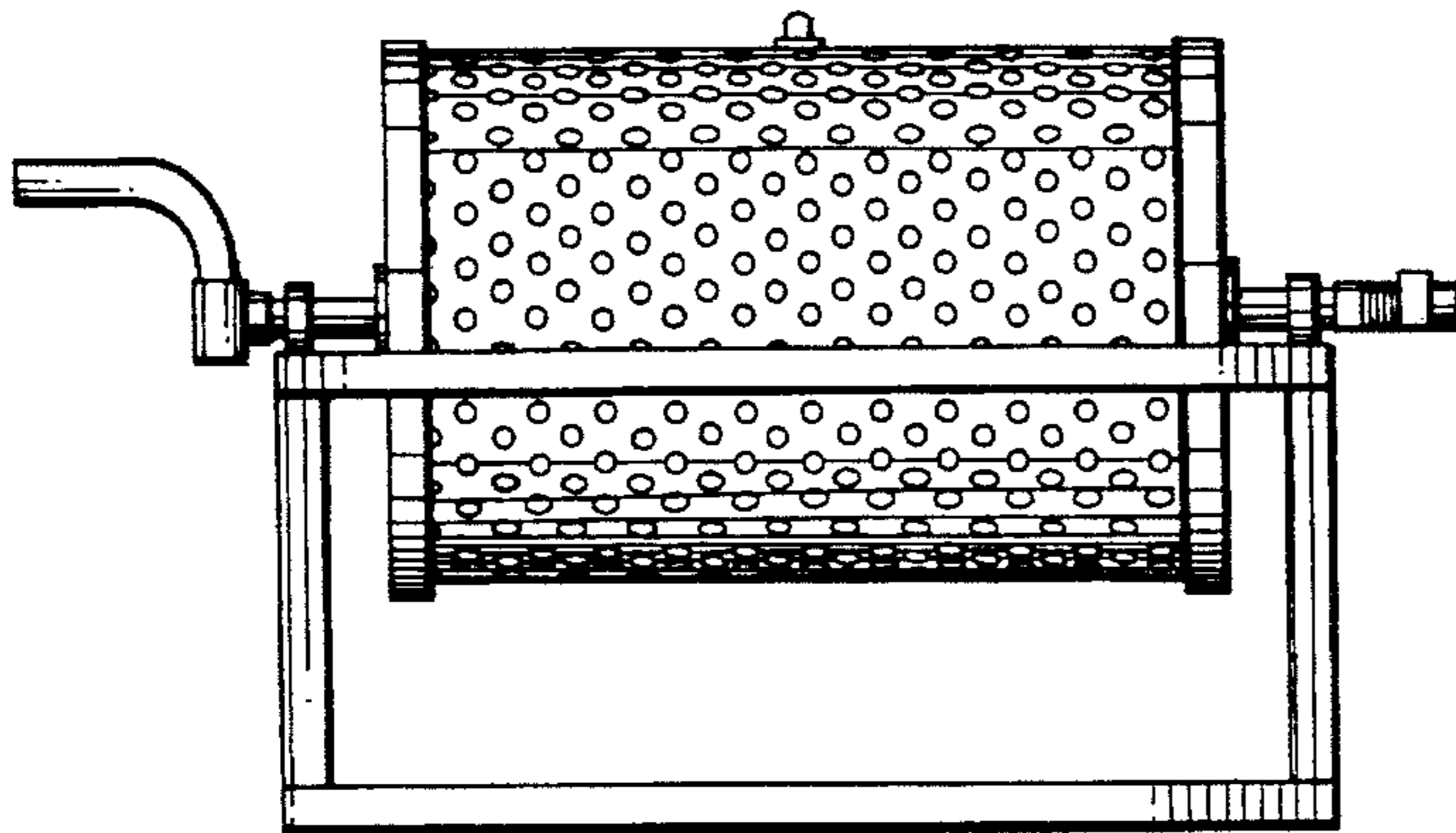


FIG. 3

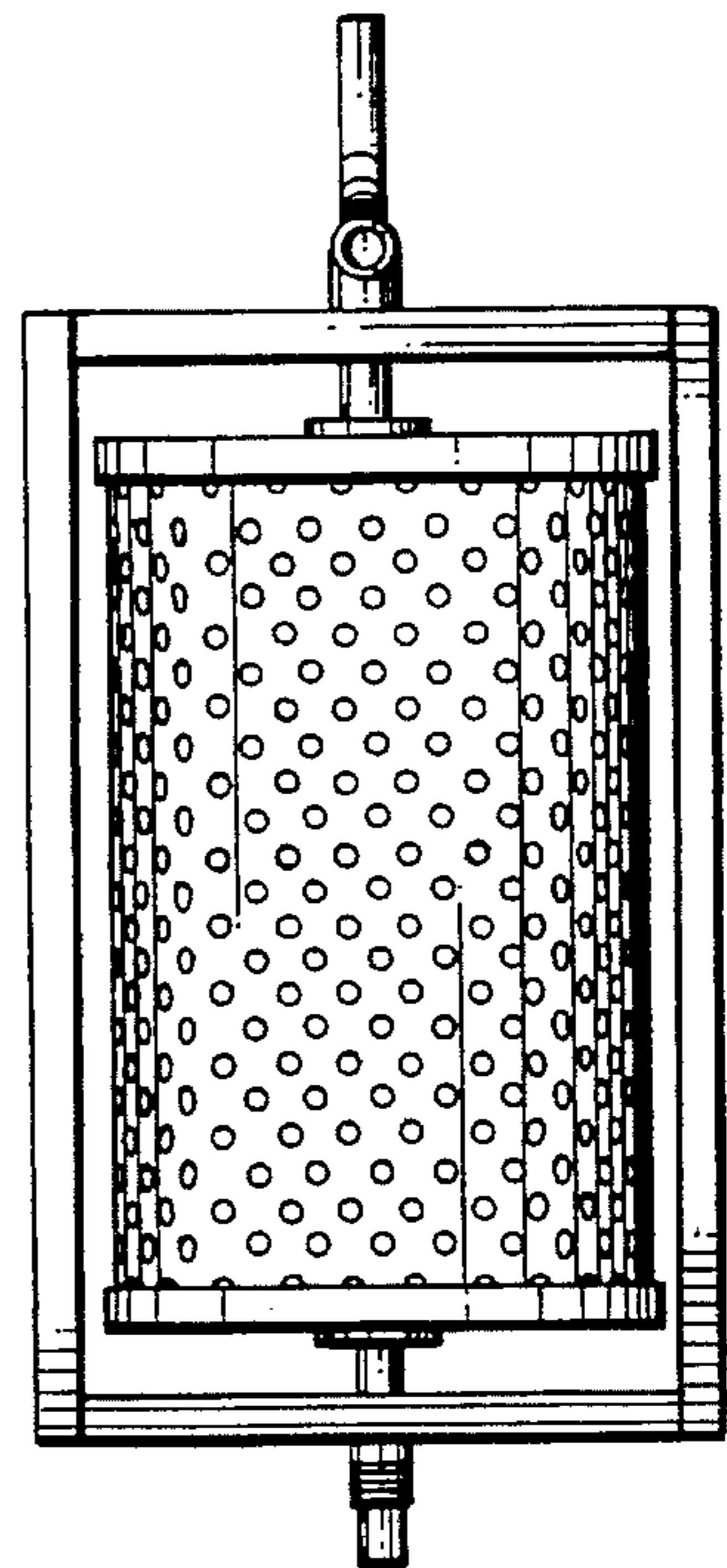


FIG. 6

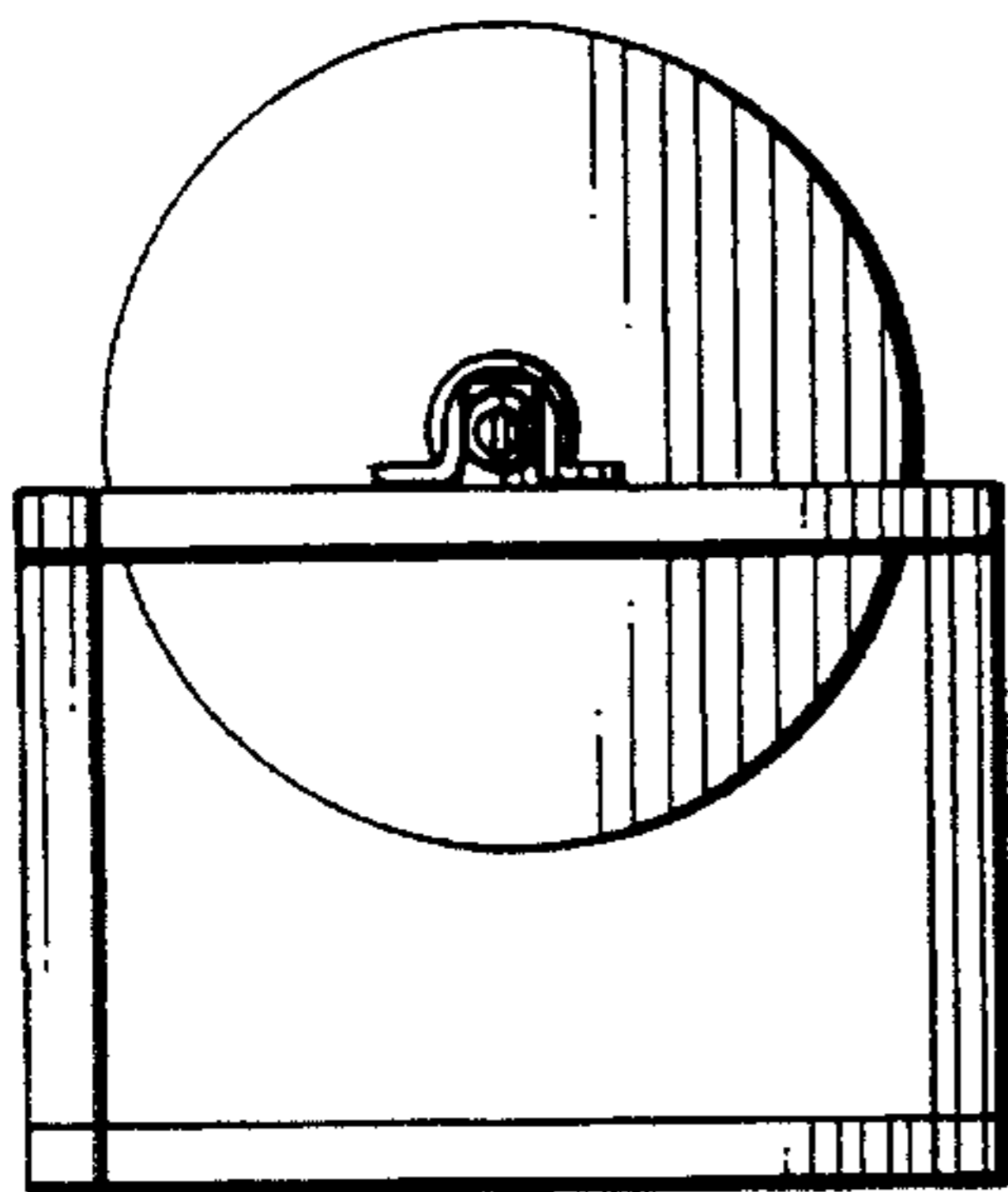


FIG. 4

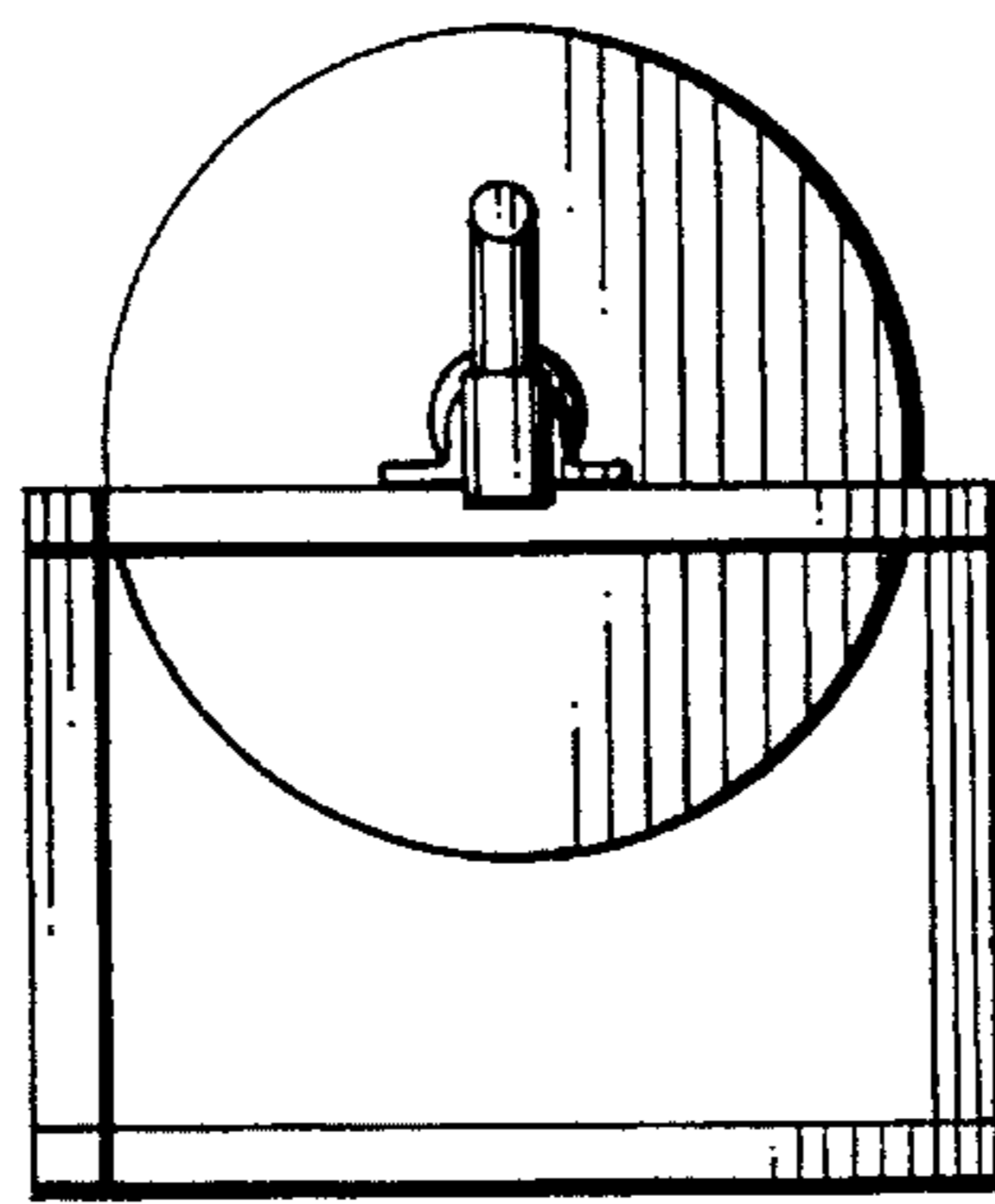


FIG. 5