



US00D368197S

# United States Patent [19]

Fulayter et al.

[11] Patent Number: **Des. 368,197**

[45] Date of Patent: **\*\*Mar. 26, 1996**

[54] **QUILT HANGER**

4,641,756 2/1987 Brown ..... 211/89

[76] Inventors: **Kenneth V. Fulayter; Thyra M. Fulayter**, both of 982 W. 19th St., Upland, Calif. 91784

*Primary Examiner*—Brian N. Vinson  
*Attorney, Agent, or Firm*—Leo R. Carroll

[\*\*] Term: **14 Years**

[57] **CLAIM**

The ornamental design for the quilt hanger, as shown and described.

[21] Appl. No.: **35,250**

[22] Filed: **Feb. 23, 1995**

**DESCRIPTION**

[52] U.S. Cl. .... **D6/553**

[58] Field of Search ..... D6/553, 567, 547;  
211/13, 60.1, 86-87, 89, 113, 123-124;  
248/466

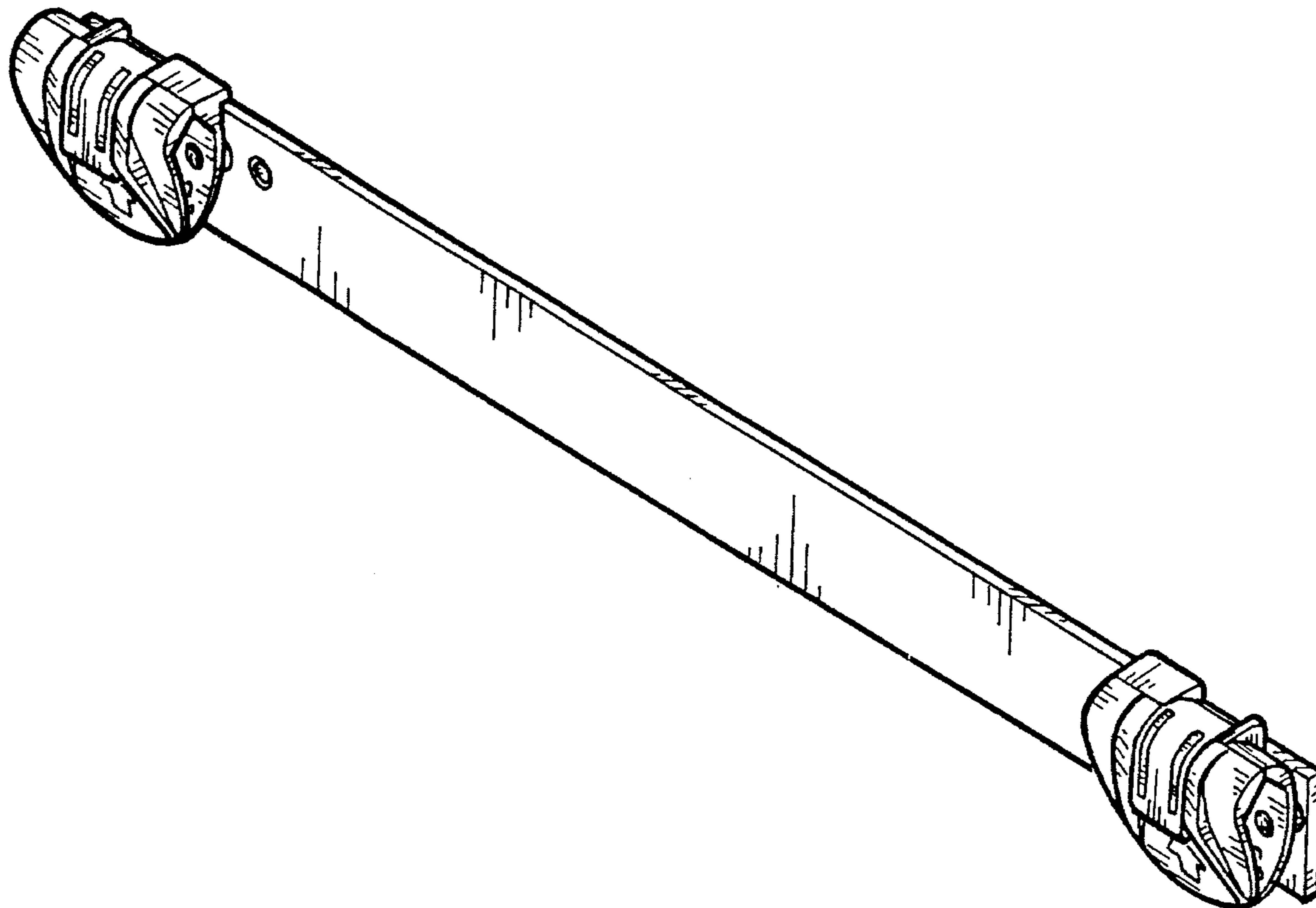
FIG. 1 is a top, front, and right side perspective view of a quilt hanger showing our new design;  
FIG. 2 is a front elevational view thereof;  
FIG. 3 is a top plan view thereof;  
FIG. 4 is a bottom plan view thereof;  
FIG. 5 is a right side elevational view thereof, the left side being a mirror image of that shown; and,  
FIG. 6 is an enlarged fragmentary top, front, and right side perspective view of the right side gripping element thereof, shown in an opened position.

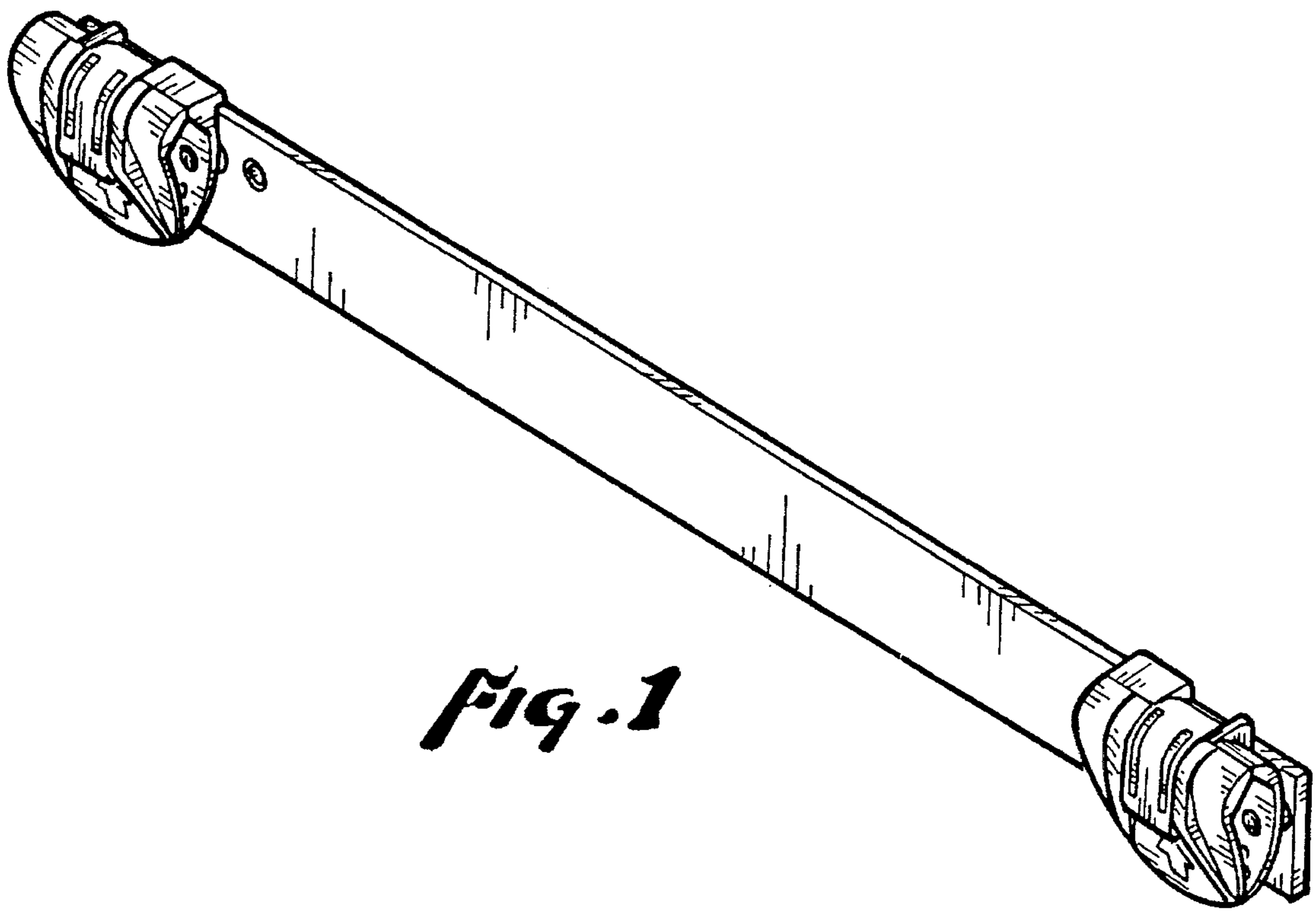
[56] **References Cited**

**U.S. PATENT DOCUMENTS**

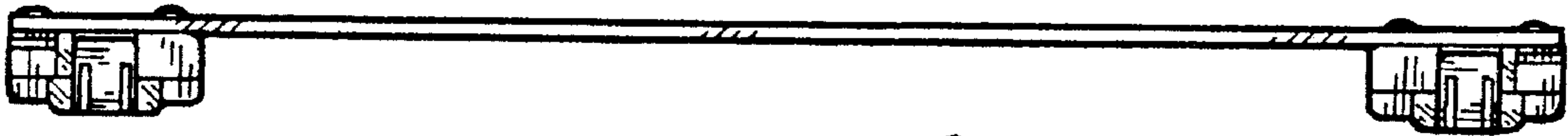
D. 320,521	10/1991	Baur	.....	D6/553
D. 326,027	5/1992	Estes	.....	D6/553
D. 327,382	6/1992	Cabler	.....	D6/547 X
4,105,127	8/1978	Holl	.....	211/89 X

**1 Claim, 3 Drawing Sheets**

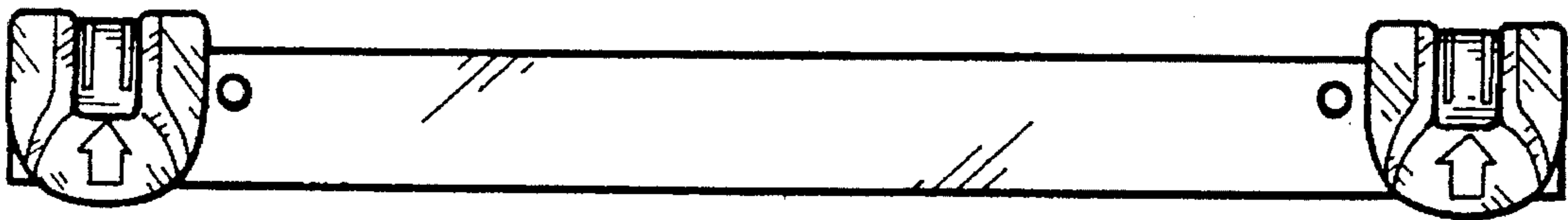




*Fig. 1*



*Fig. 3*



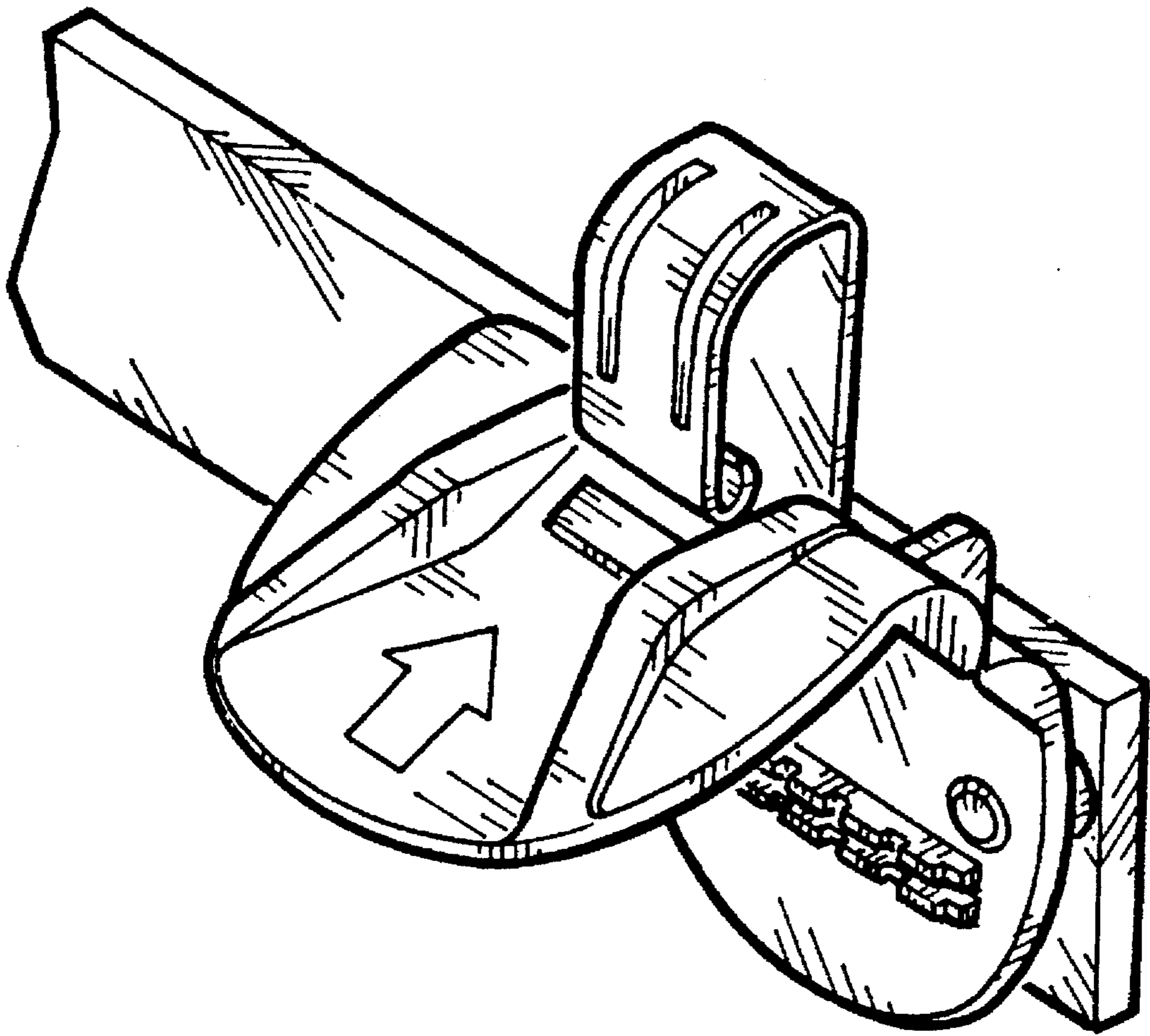
*Fig. 2*



*Fig. 4*



*Fig. 5*



*Fig. 6*