



US00D368193S

# United States Patent [19] Walters

[11] Patent Number: **Des. 368,193**

[45] Date of Patent: **\*\*Mar. 26, 1996**

[54] **GLASS TOP TABLE**

1,952,665 3/1934 Failey .  
2,570,634 10/1951 Bartschy .  
4,941,413 7/1990 Vanderminde ..... 108/157

[75] Inventor: **Glenn T. Walters**, Port Washington, Wis.

### OTHER PUBLICATIONS

[73] Assignee: **Bemis Manufacturing Company**, Sheboygan Falls, Wis.

Grosfillex Contract, p. 33, pedestal base at top right.  
Brown Jordan c1986, p. 57, #1735-4800 at lower right.  
Brown Jordan, table #1525-2901 at top right.

[\*\*] Term: **14 Years**

*Primary Examiner*—Janice E. Seeger  
*Attorney, Agent, or Firm*—Michael, Best & Friedrich

[21] Appl. No.: **32,520**

### [57] CLAIM

[22] Filed: **Dec. 20, 1994**

[52] U.S. Cl. .... **D6/486**; D6/488

The ornamental design for a glass top table, as shown and described.

[58] Field of Search ..... D6/480-489, 495-499,  
D6/429; 108/150, 153, 156, 161; 248/188.7,  
188.8

### DESCRIPTION

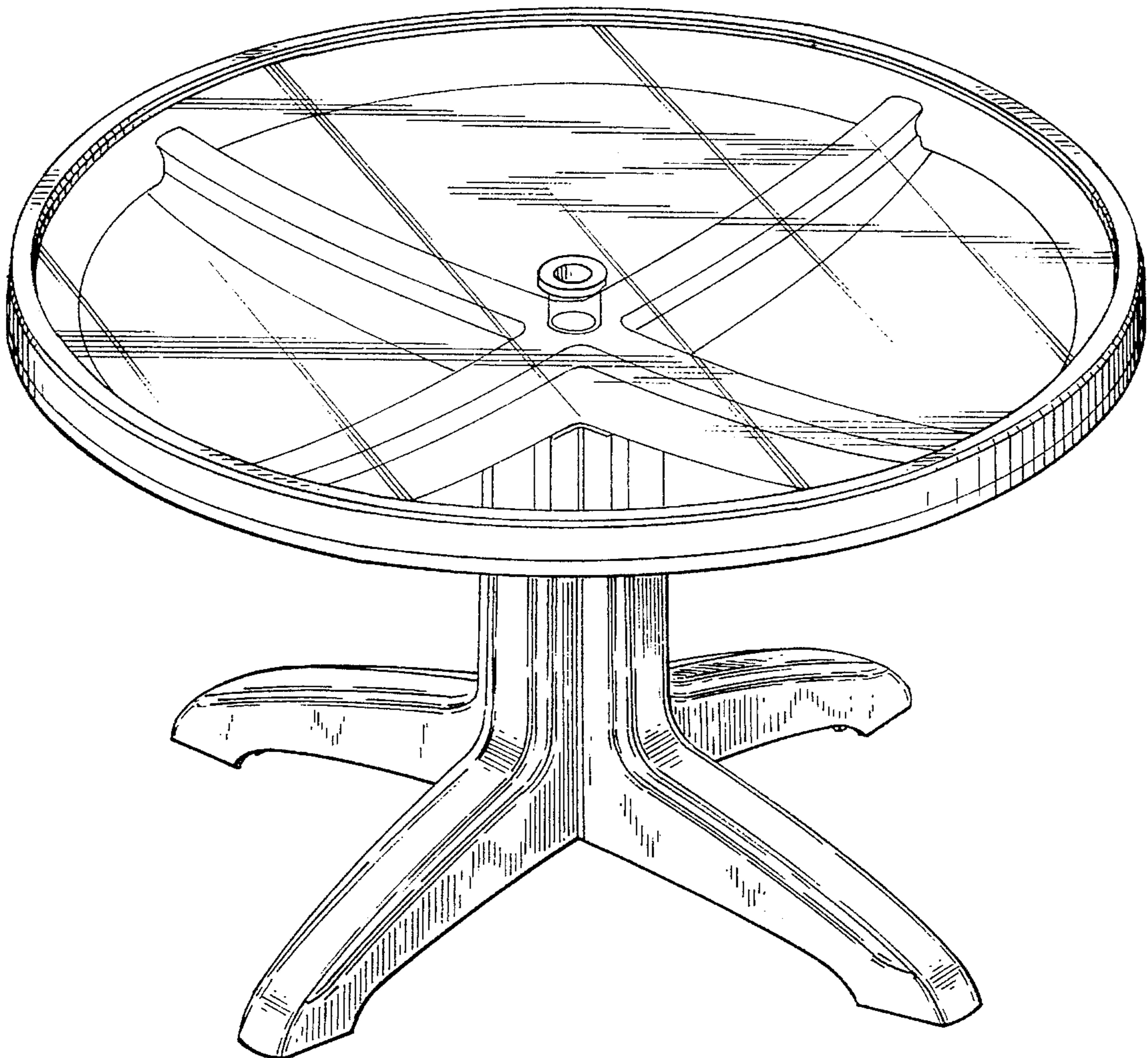
### [56] References Cited

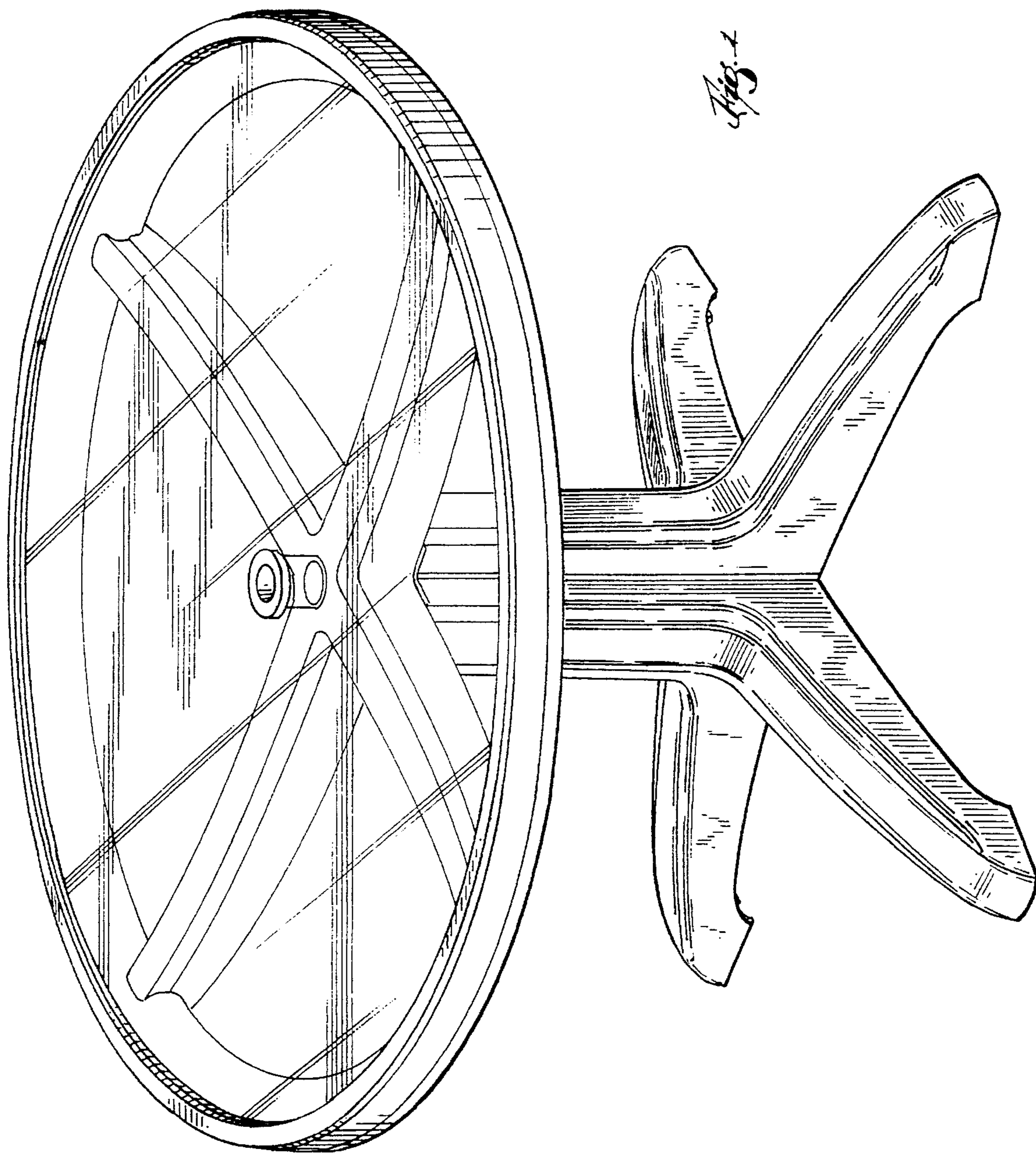
FIG. 1 is a perspective view of the glass top table showing my new design;  
FIG. 2 is a top plan view thereof;  
FIG. 3 is a bottom plan view thereof; and,  
FIG. 4 is a side elevational view thereof, the other three side elevational views being identical.

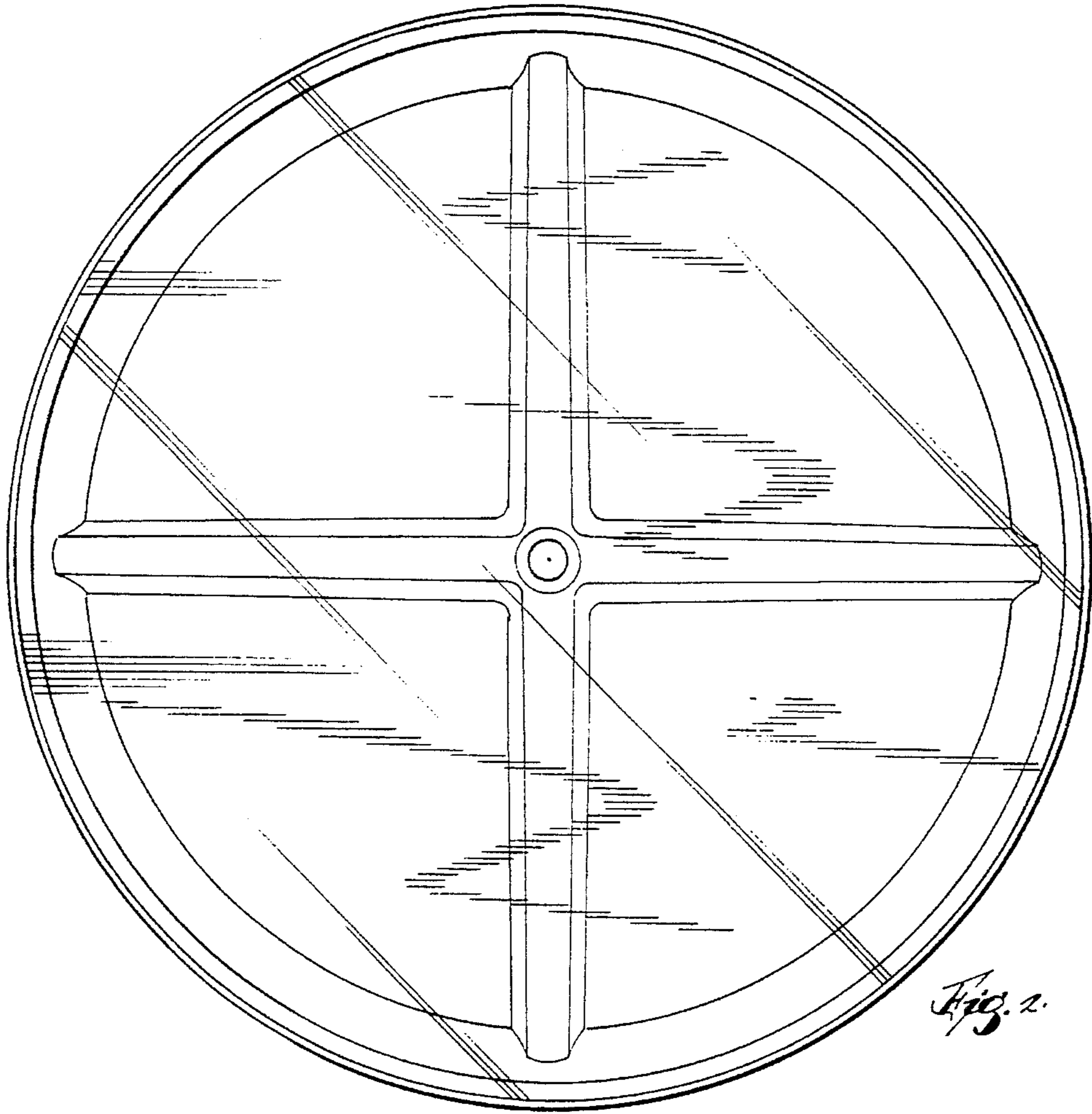
#### U.S. PATENT DOCUMENTS

D. 279,634	7/1985	Platner .....	D6/487
D. 299,196	1/1989	Frinier .....	D6/499
D. 334,313	3/1993	Grosfillex .....	D6/487
D. 337,010	7/1993	Bennett .....	D6/488
D. 346,080	4/1994	Weis .....	D6/452

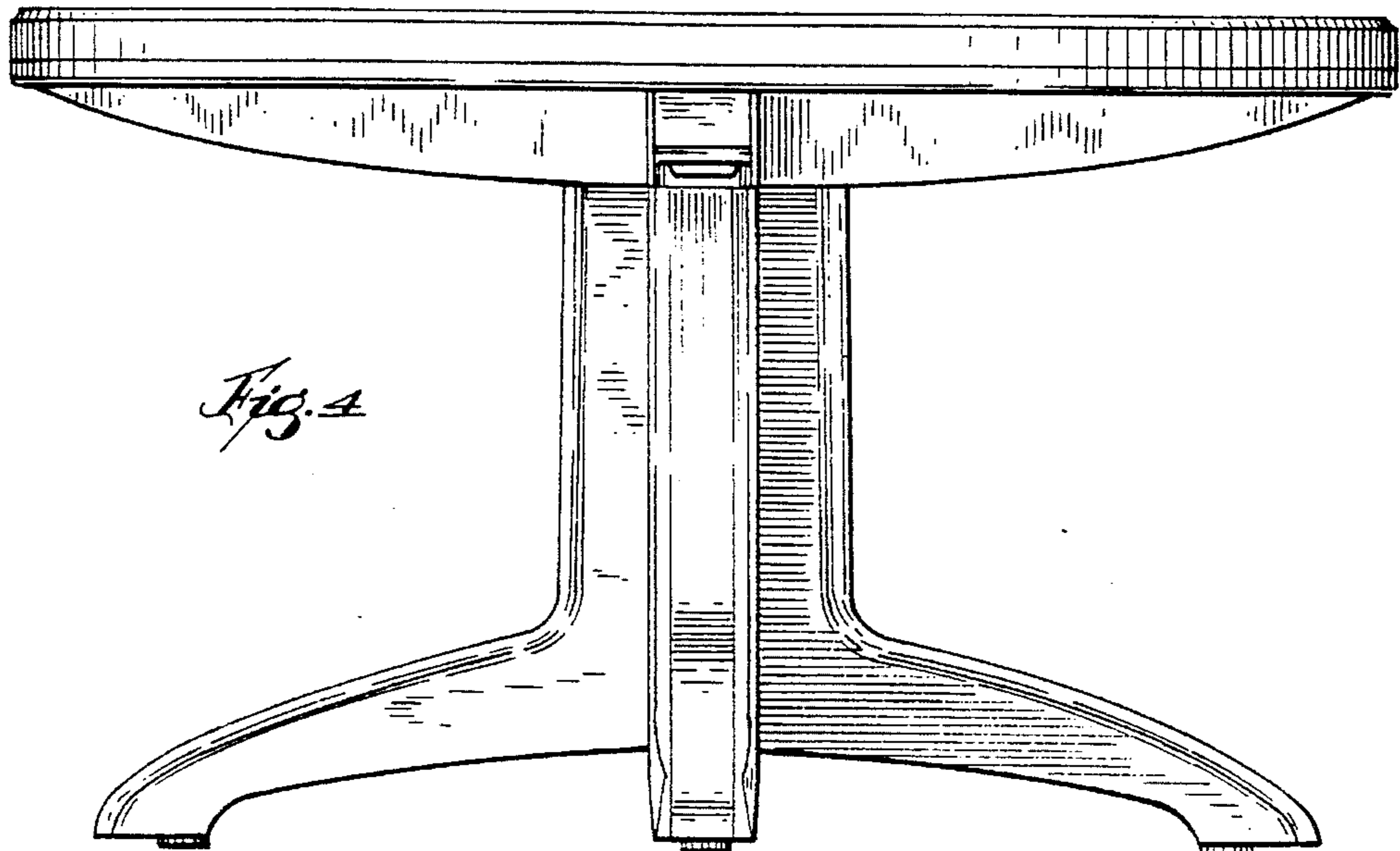
**1 Claim, 3 Drawing Sheets**



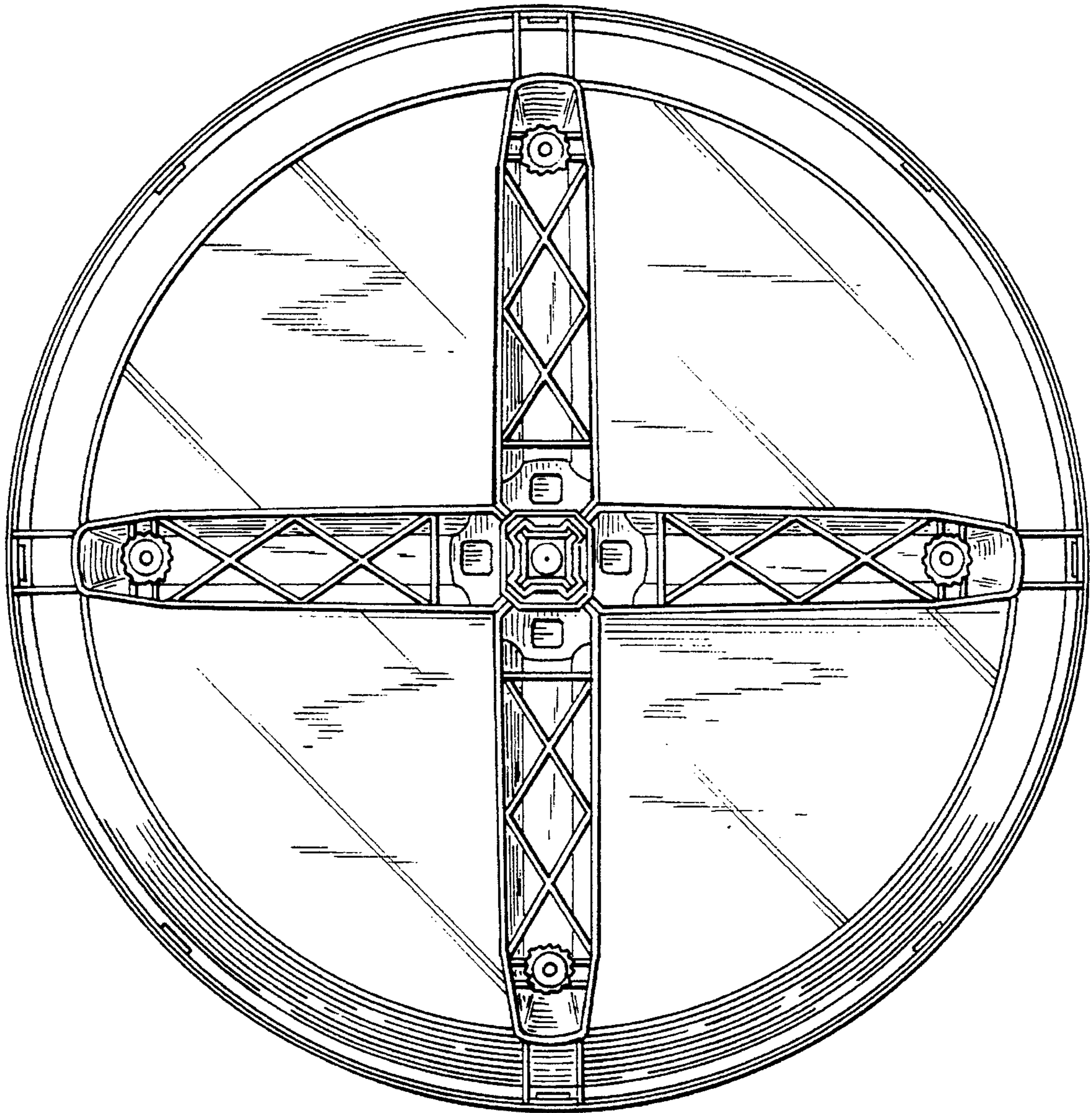




*Fig. 2.*



*Fig. 4*



*Fig. 3*