



US00D368192S

# United States Patent [19] Haigh et al.

[11] Patent Number: **Des. 368,192**  
[45] Date of Patent: **\*\*Mar. 26, 1996**

[54] TABLE

[75] Inventors: **Paul Haigh**, Greenwich, Conn.;  
**William A. Heisler**, East Grand Rapids,  
Mich.; **James W. Ross**, Grand Rapids,  
Mich.; **William C. Small**, Greenville,  
Mich.

[73] Assignee: **Steelcase Inc.**, Grand Rapids, Mich.

[\*\*] Term: **14 Years**

[21] Appl. No.: **30,402**

[22] Filed: **Oct. 28, 1994**

[52] U.S. Cl. .... **D6/484**

[58] Field of Search ..... D6/480-489, 422,  
D6/428, 429, 495; 108/151, 153, 156, 157,  
161; 248/188, 188.1

[56] **References Cited**

**U.S. PATENT DOCUMENTS**

D. 101,223	9/1936	Jiranek .....	D6/480 X
D. 113,250	2/1939	Altorfer .....	D6/484
D. 161,772	1/1951	MacDonald .	
D. 193,192	7/1962	Blevins .	
D. 210,131	2/1968	Rourke .	
D. 223,838	6/1972	Valic .	
D. 242,832	12/1976	Swensson .	
D. 258,184	2/1981	Nelson .....	D6/480
D. 260,836	9/1981	Polo et al. ....	D6/484
D. 270,217	8/1983	Daventry .....	D6/480
D. 320,904	10/1991	Coleman et al. .	
D. 341,043	11/1993	Pesso .....	D6/484
1,967,979	7/1934	Stern .	
2,092,441	9/1937	Ciprus .	
3,093,096	6/1963	Black et al. .	
3,105,726	10/1963	Jung .	
3,583,337	6/1971	Yokeley .	
3,714,906	2/1973	Finestone .	
3,741,852	6/1973	Keener .	
4,066,305	1/1978	Gazarek .	
4,103,981	8/1978	Donahue et al. .	
4,163,592	8/1979	Nelson .	
4,665,836	5/1987	Burr .	
4,732,088	3/1988	Koehlin et al. .	

5,035,470	7/1991	Miller .
5,050,829	9/1991	Sykes .
5,163,373	11/1992	Anderson et al. .
5,176,435	1/1993	Pipkens .

*Primary Examiner*—Janice E. Seeger  
*Attorney, Agent, or Firm*—Price, Heneveld, Cooper, DeWitt & Litton

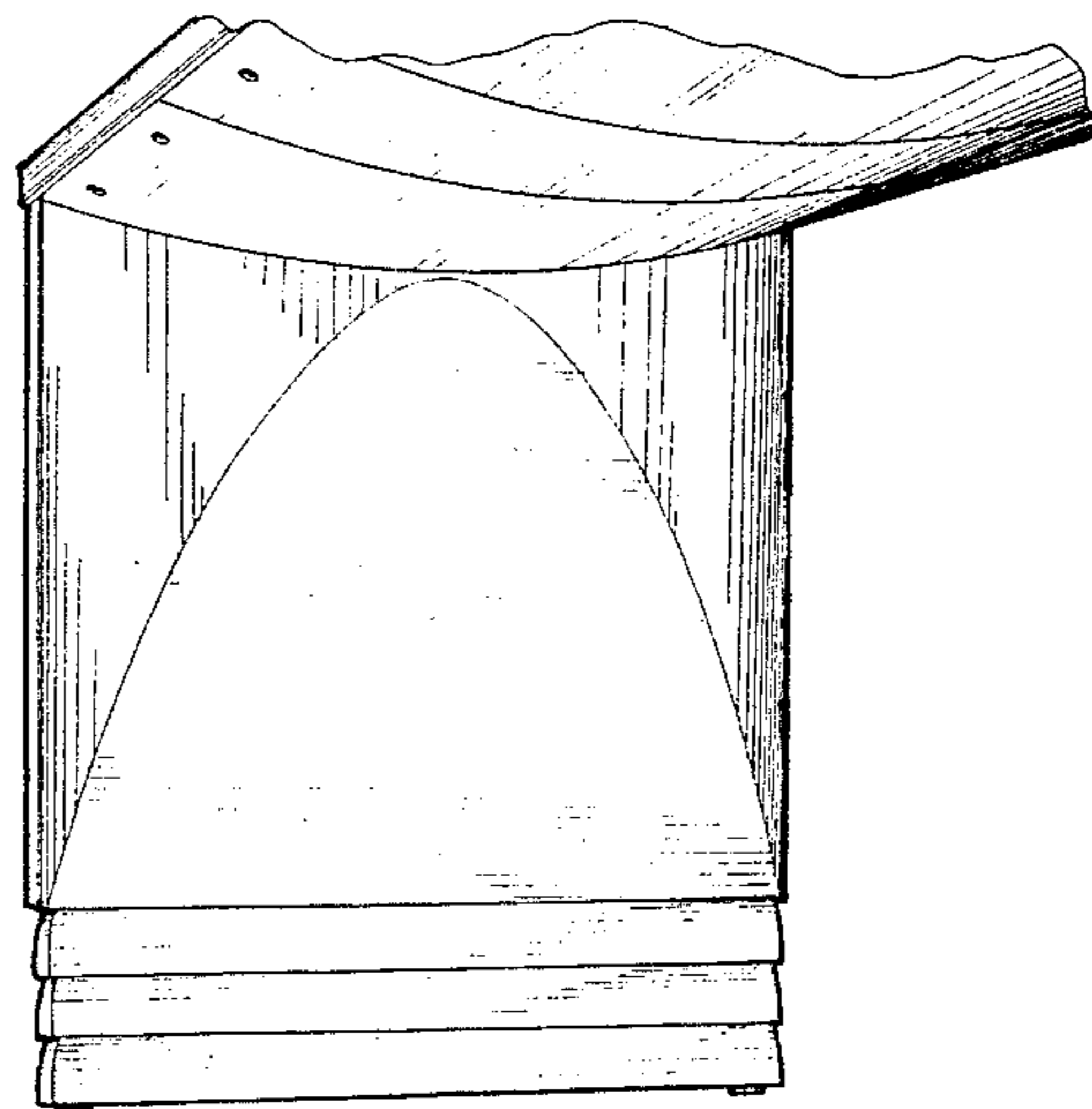
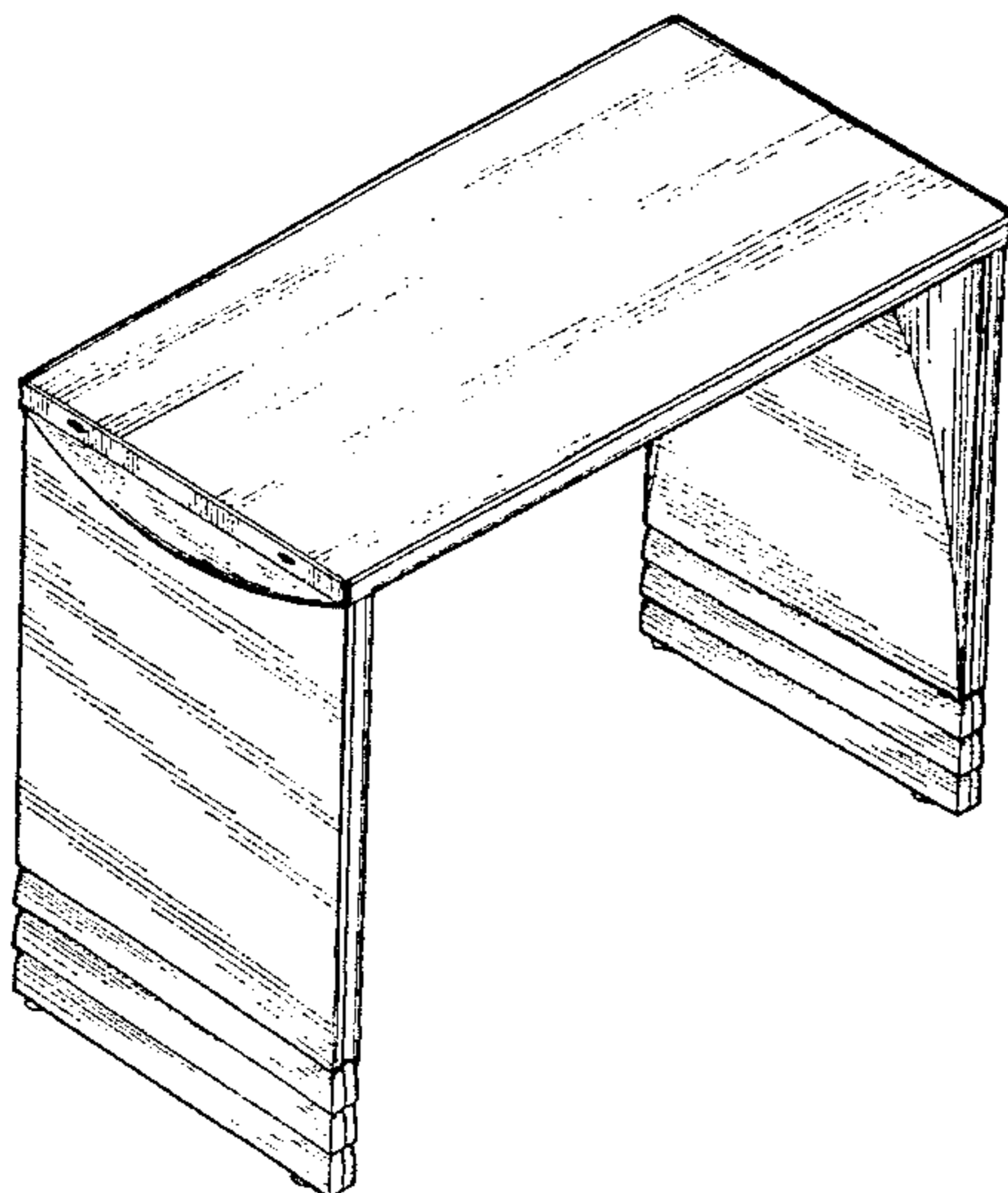
[57] **CLAIM**

The ornamental design for a table, as shown and described.

**DESCRIPTION**

FIG. 1 is a perspective view of a table, taken from an upper, left side portion thereof, showing our new design;  
 FIG. 2 is a fragmentary perspective view, taken from a lower, right side portion thereof;  
 FIG. 3 is a front elevational view;  
 FIG. 4 is a left-hand side elevational view, wherein the right-hand side elevational view is substantially identical;  
 FIG. 5 is a top plan view;  
 FIG. 6 is a vertical, cross-sectional view, taken through a medial portion of the table; and  
 FIG. 7 is a bottom plan view thereof;  
 FIG. 8 is a perspective view of another embodiment of our design; and  
 FIG. 9 is a top plan view thereof;  
 FIG. 10 is a perspective view of another embodiment of our design; and  
 FIG. 11 is a top plan view thereof;  
 FIG. 12 is a perspective view of another embodiment of our design; and  
 FIG. 13 is a top plan view thereof;  
 FIG. 14 is a perspective view of another embodiment of our design; and  
 FIG. 15 is a top plan view thereof;  
 FIG. 16 is a perspective view of another embodiment of our design; and  
 FIG. 17 is a top plan view thereof;  
 FIG. 18 is a perspective view of another embodiment of our design, taken from an upper, left side portion thereof; and,  
 FIG. 19 is a fragmentary perspective view thereof, taken from a lower, right side portion thereof.

**1 Claim, 8 Drawing Sheets**



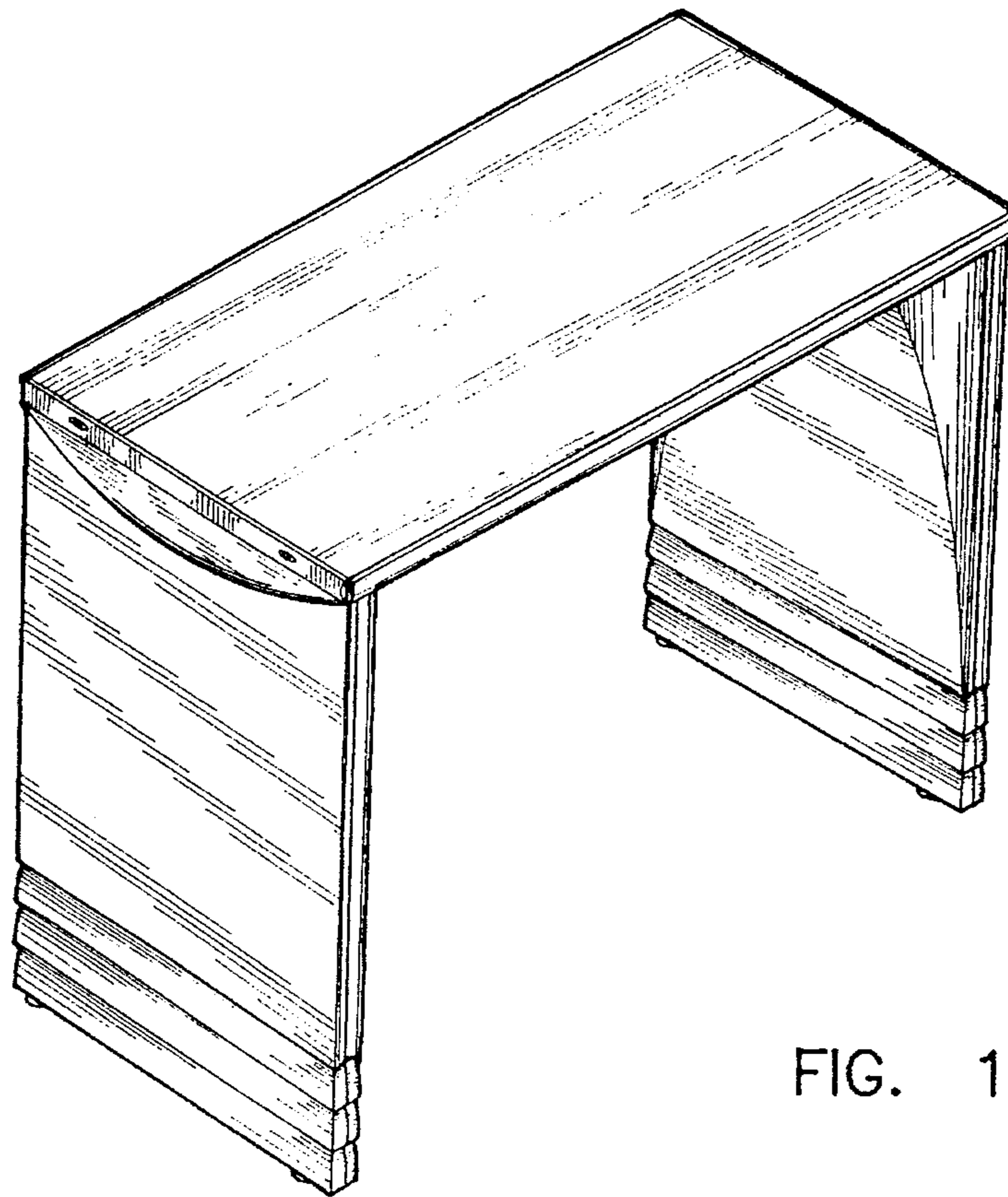


FIG. 1

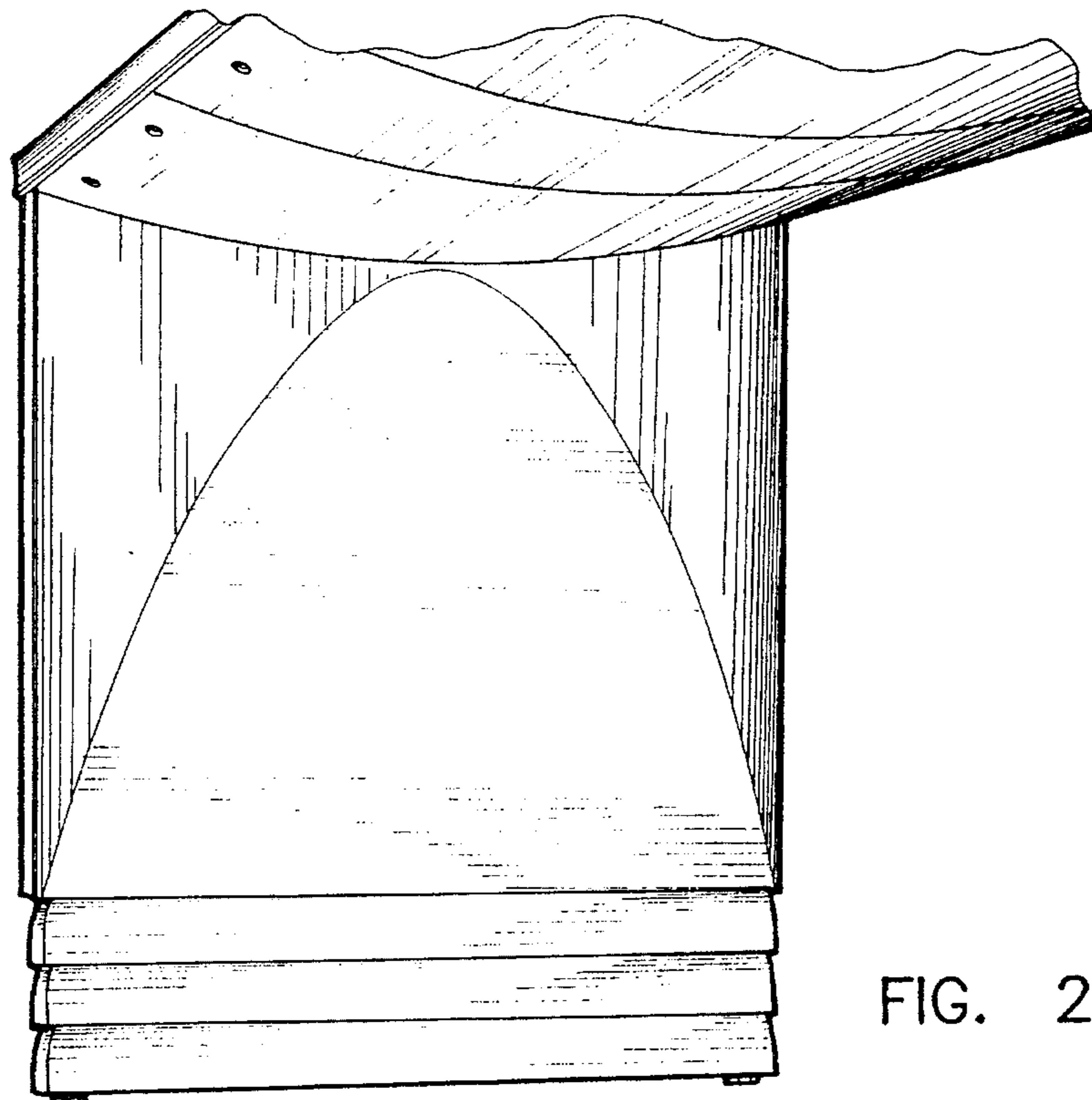


FIG. 2

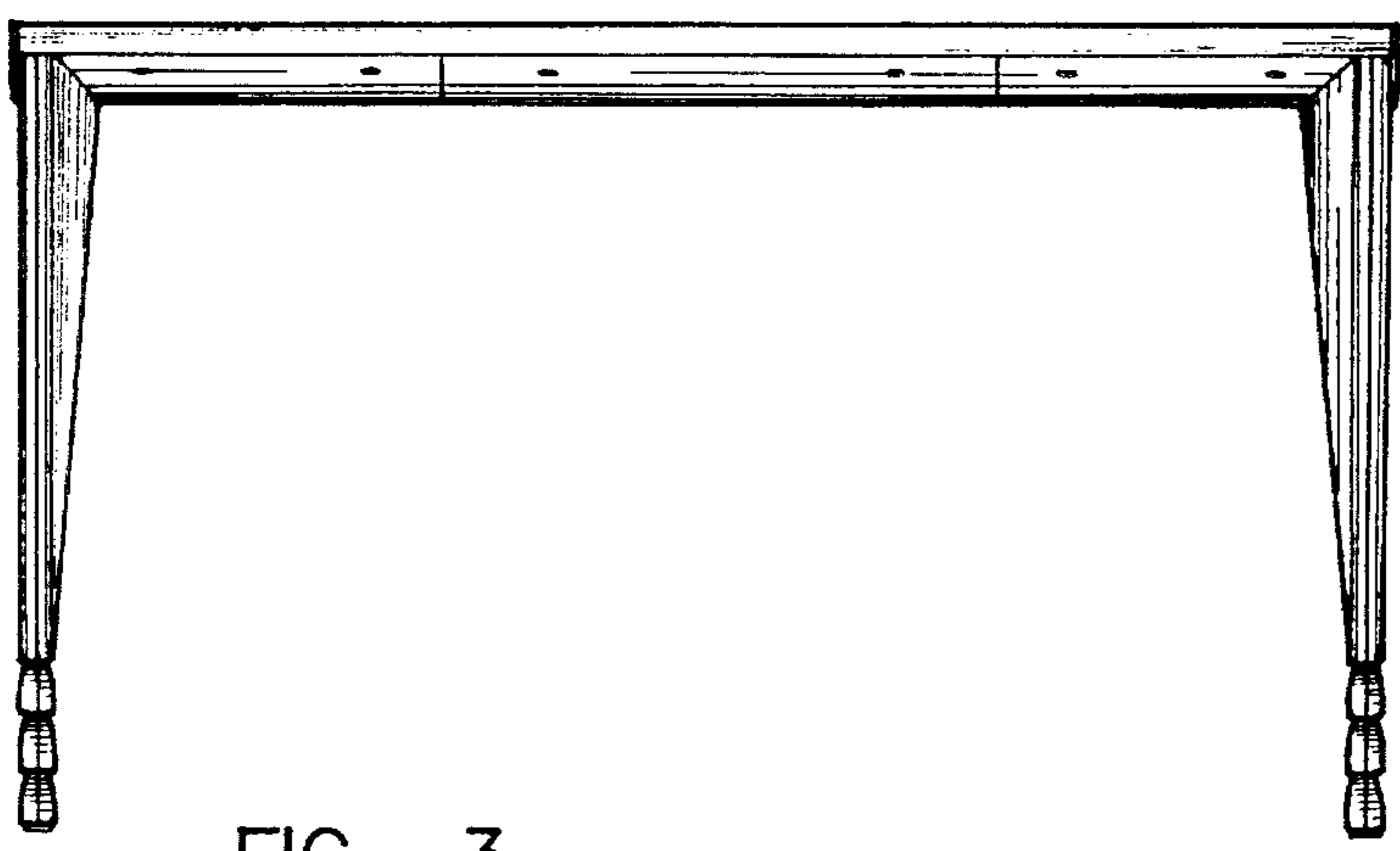


FIG. 3

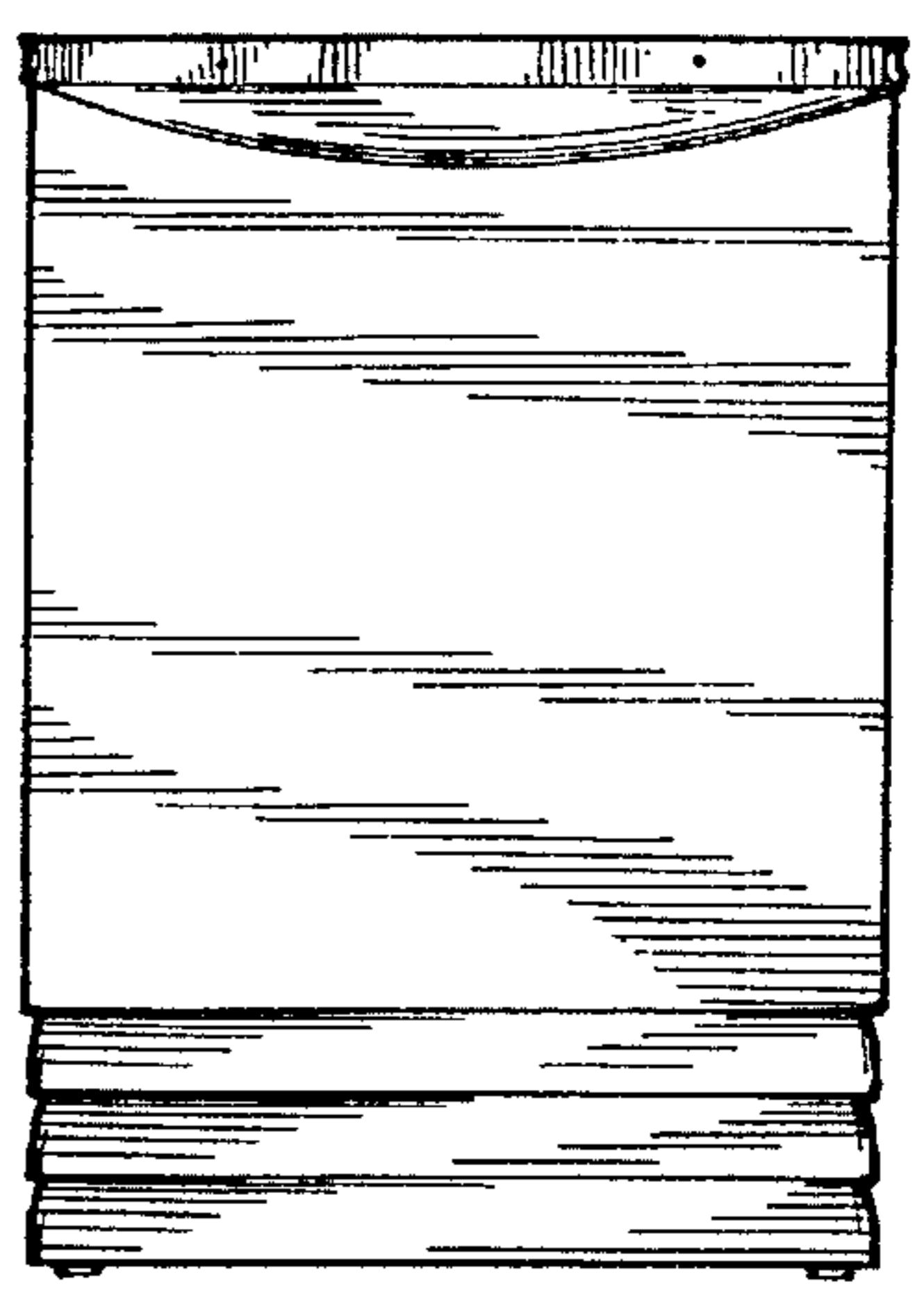


FIG. 4

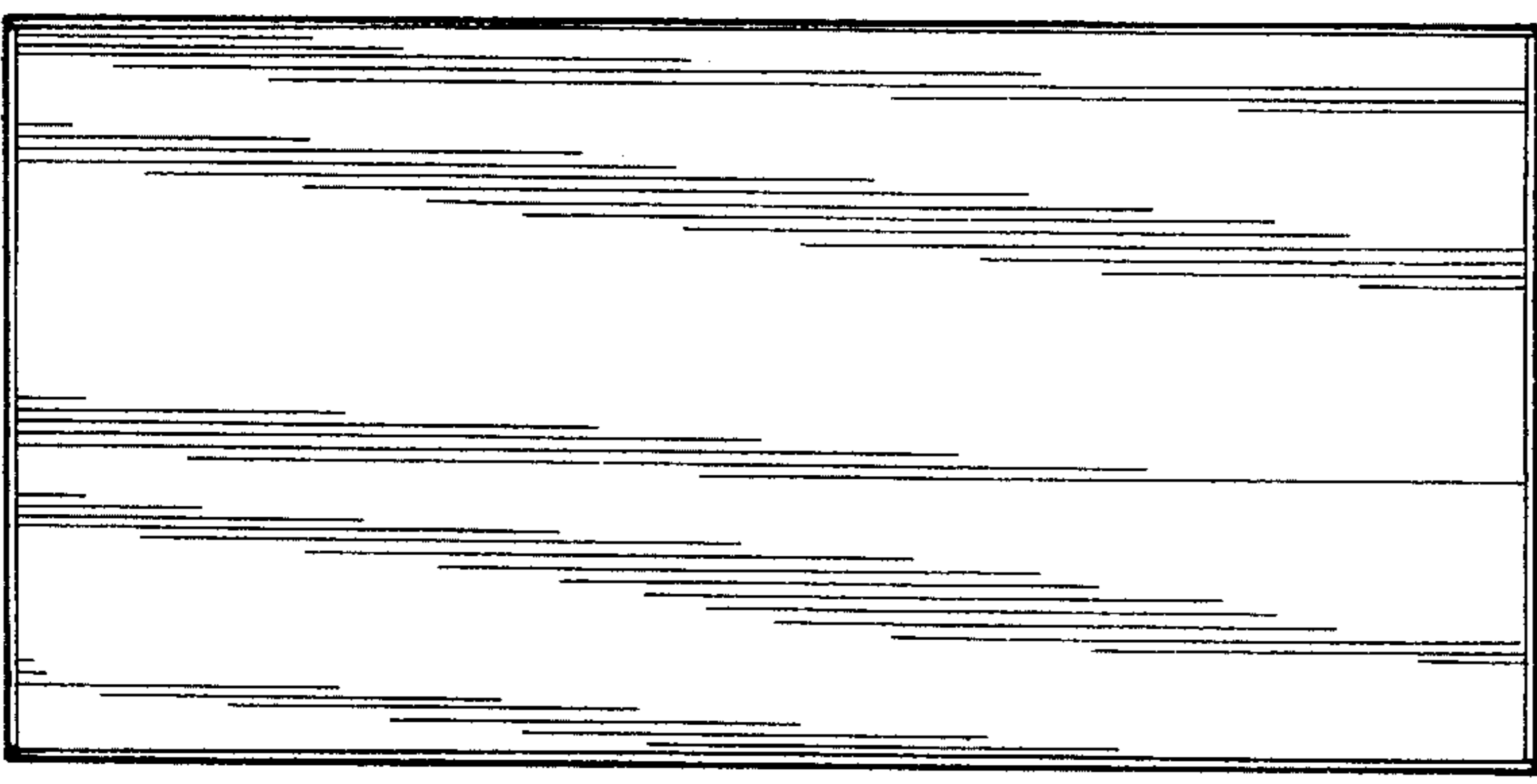


FIG. 5

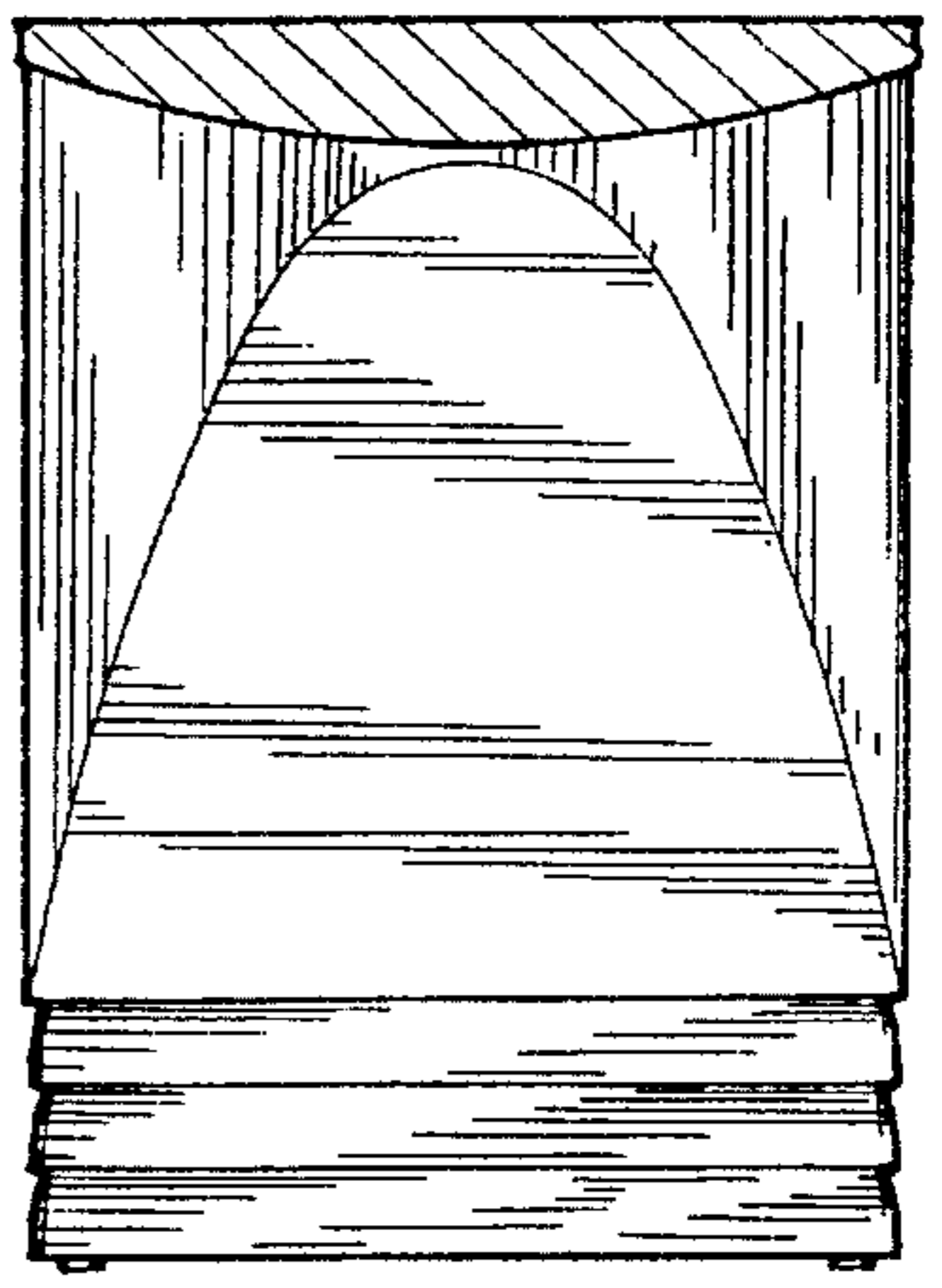


FIG. 6

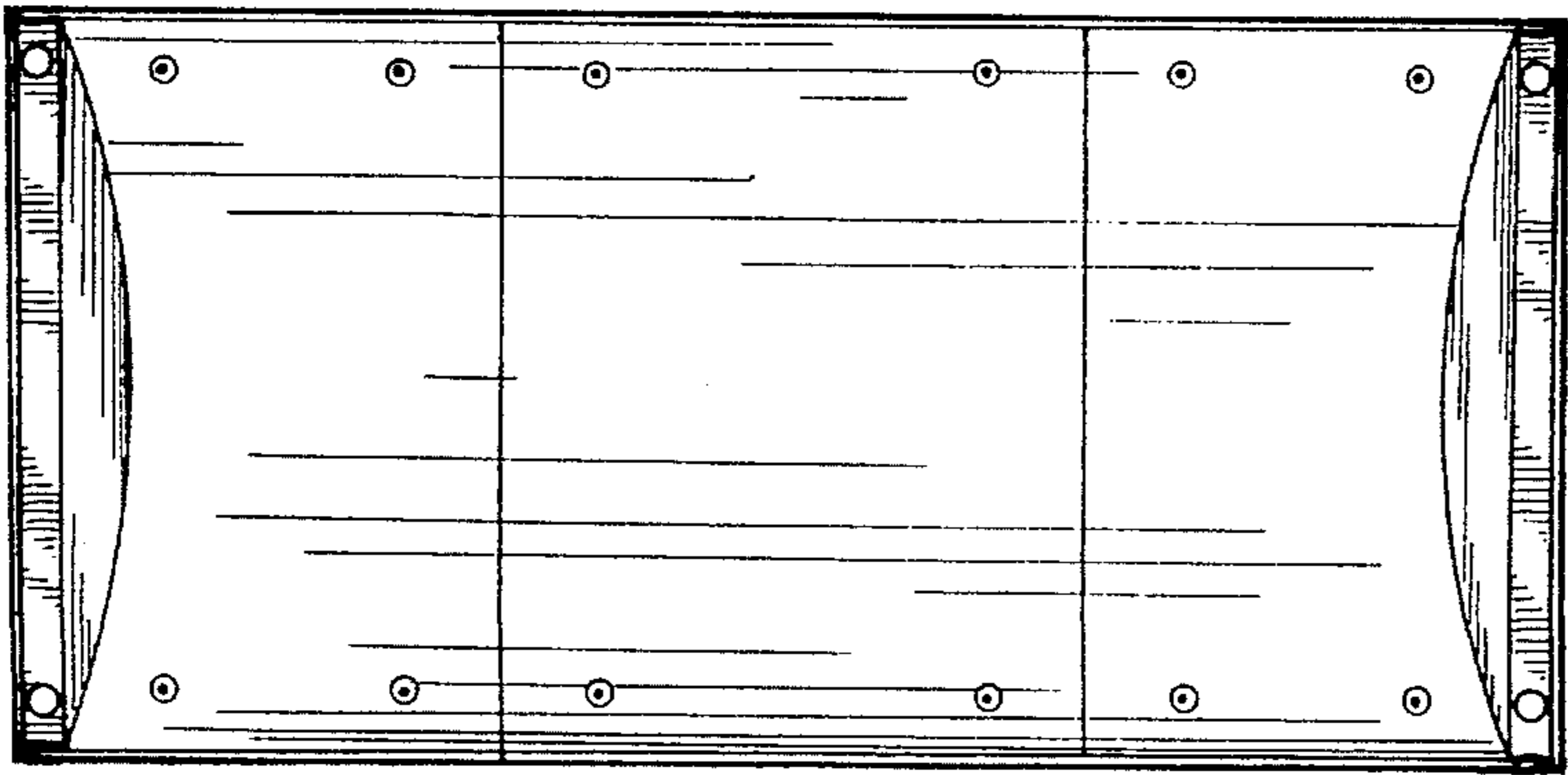


FIG. 7

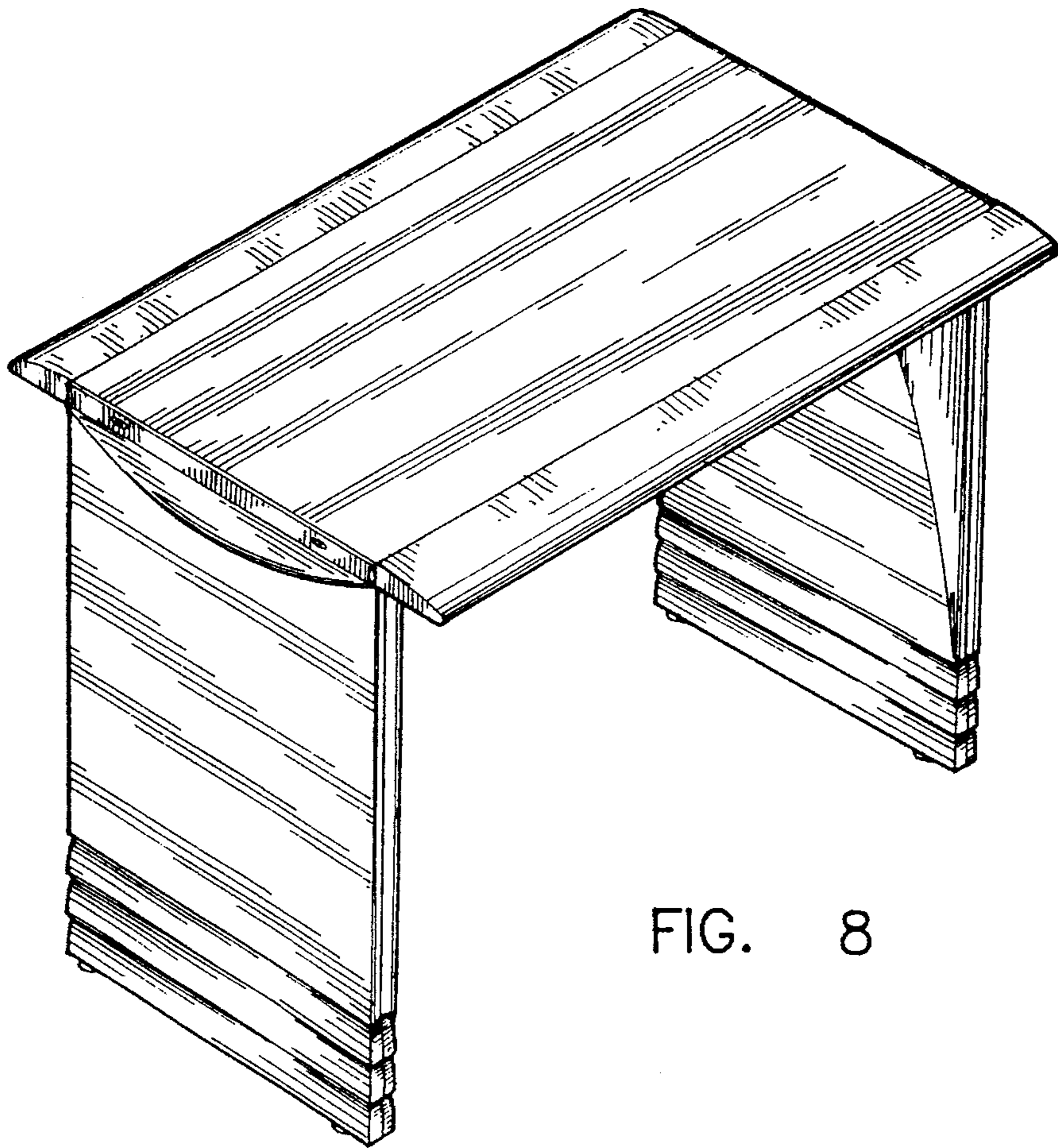


FIG. 8

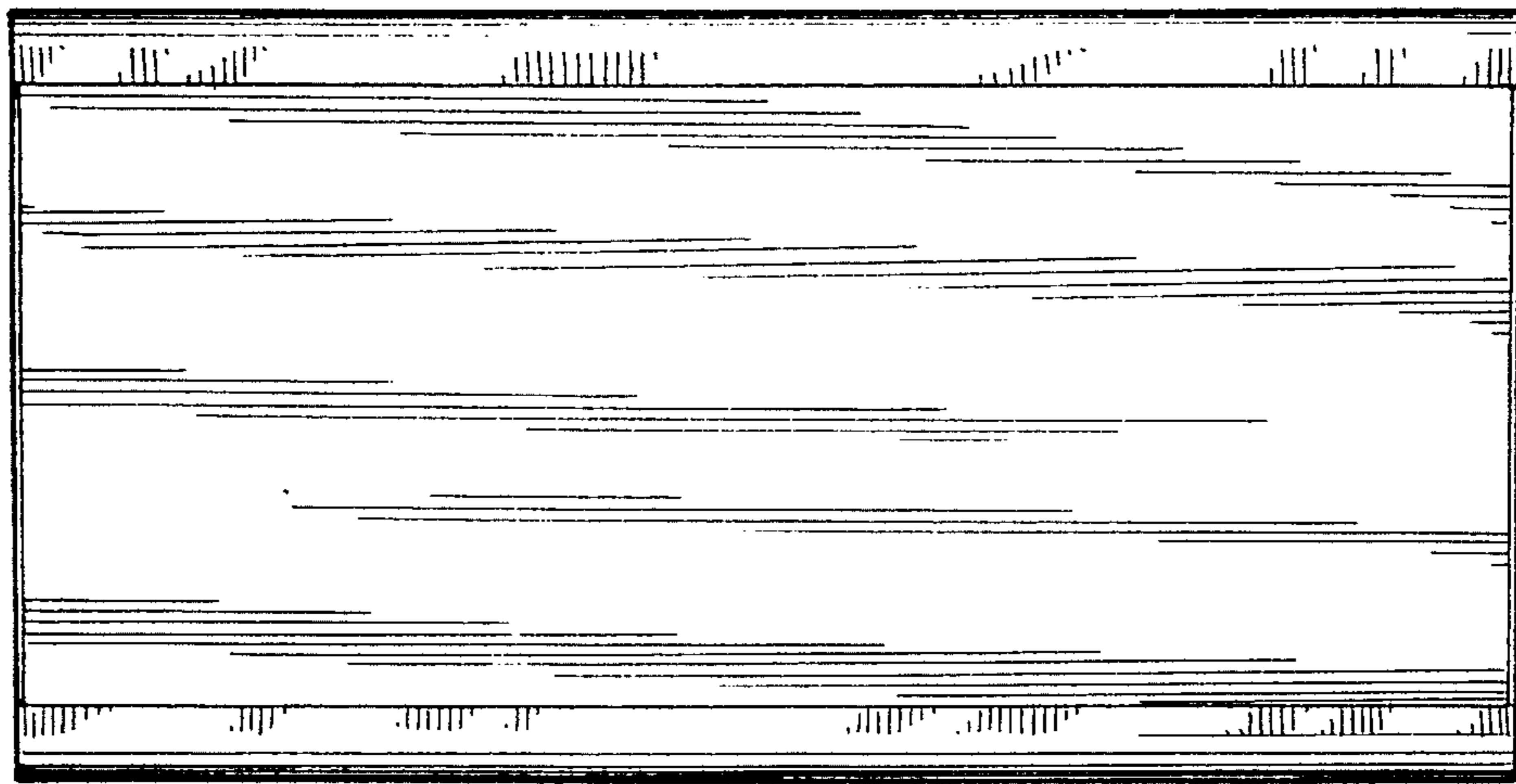


FIG. 9

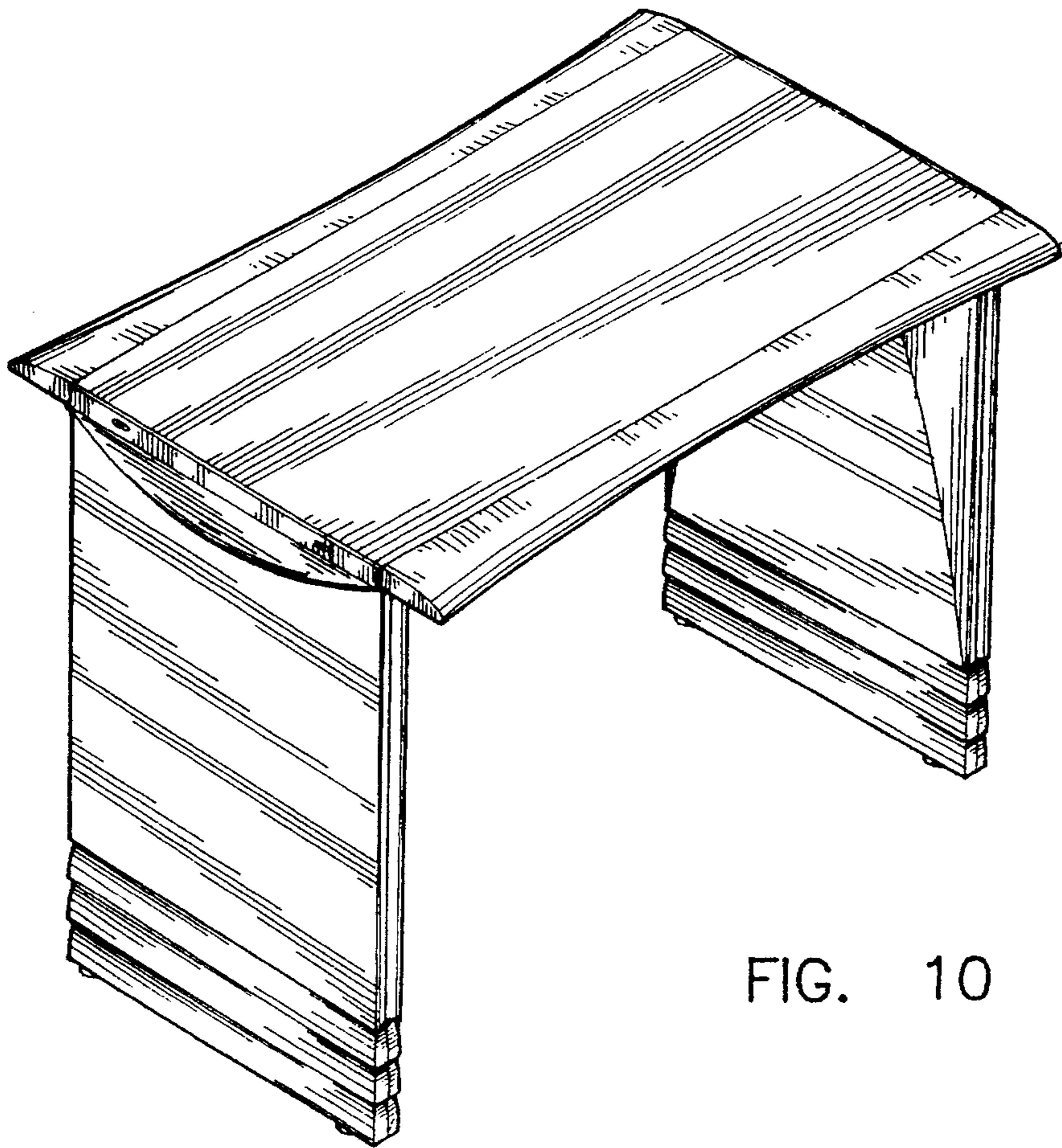


FIG. 10

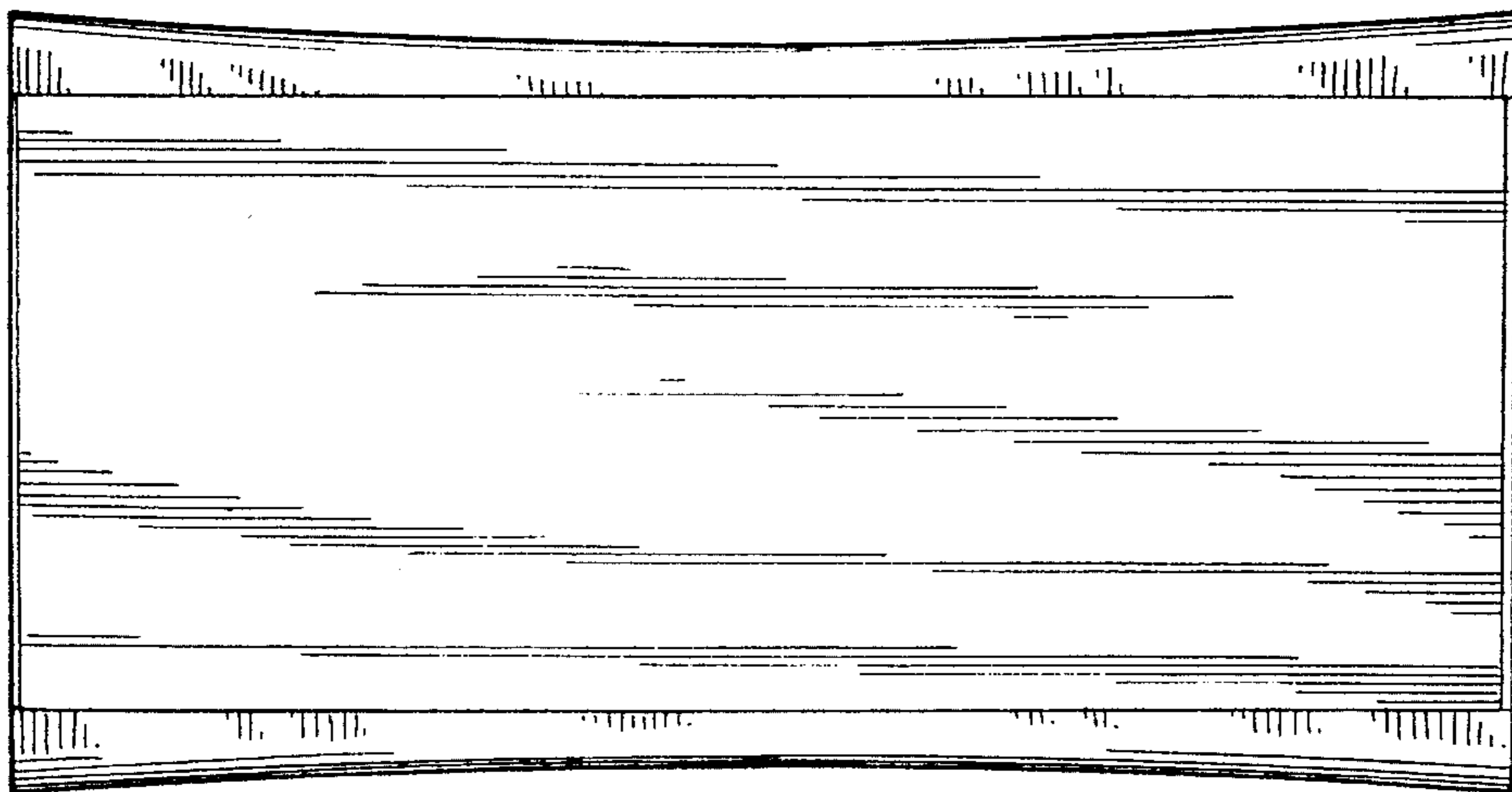


FIG. 11

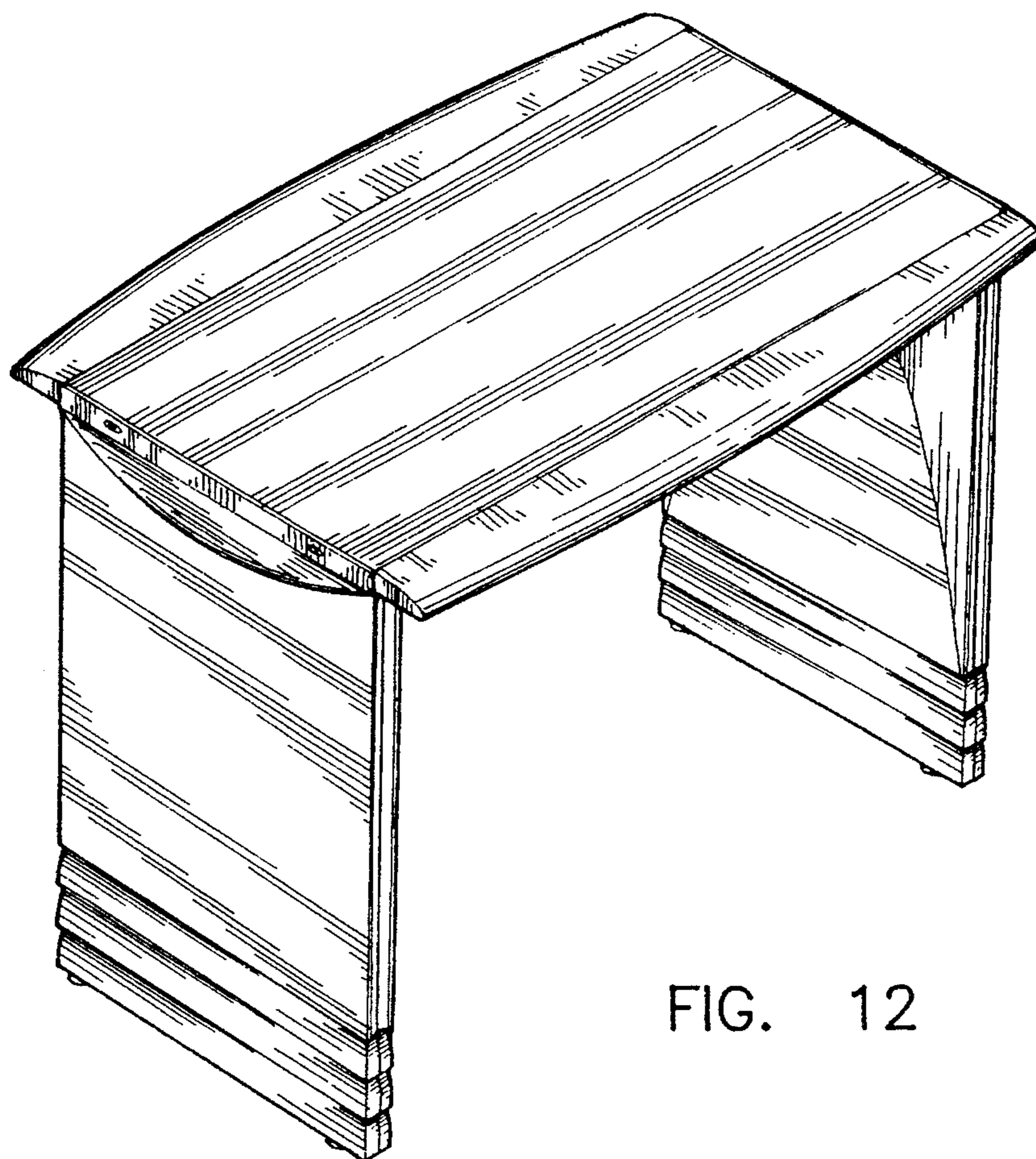


FIG. 12

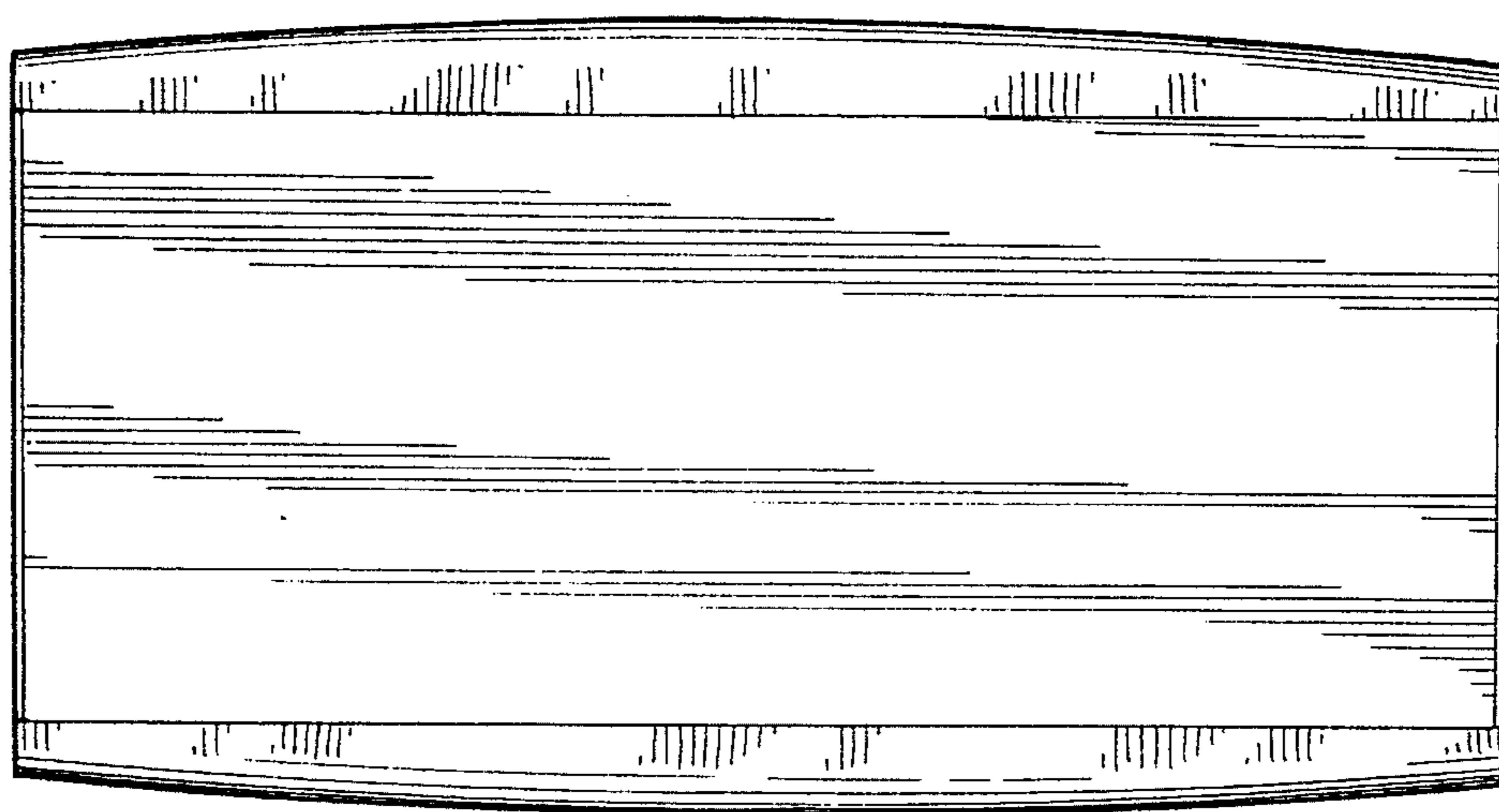


FIG. 13

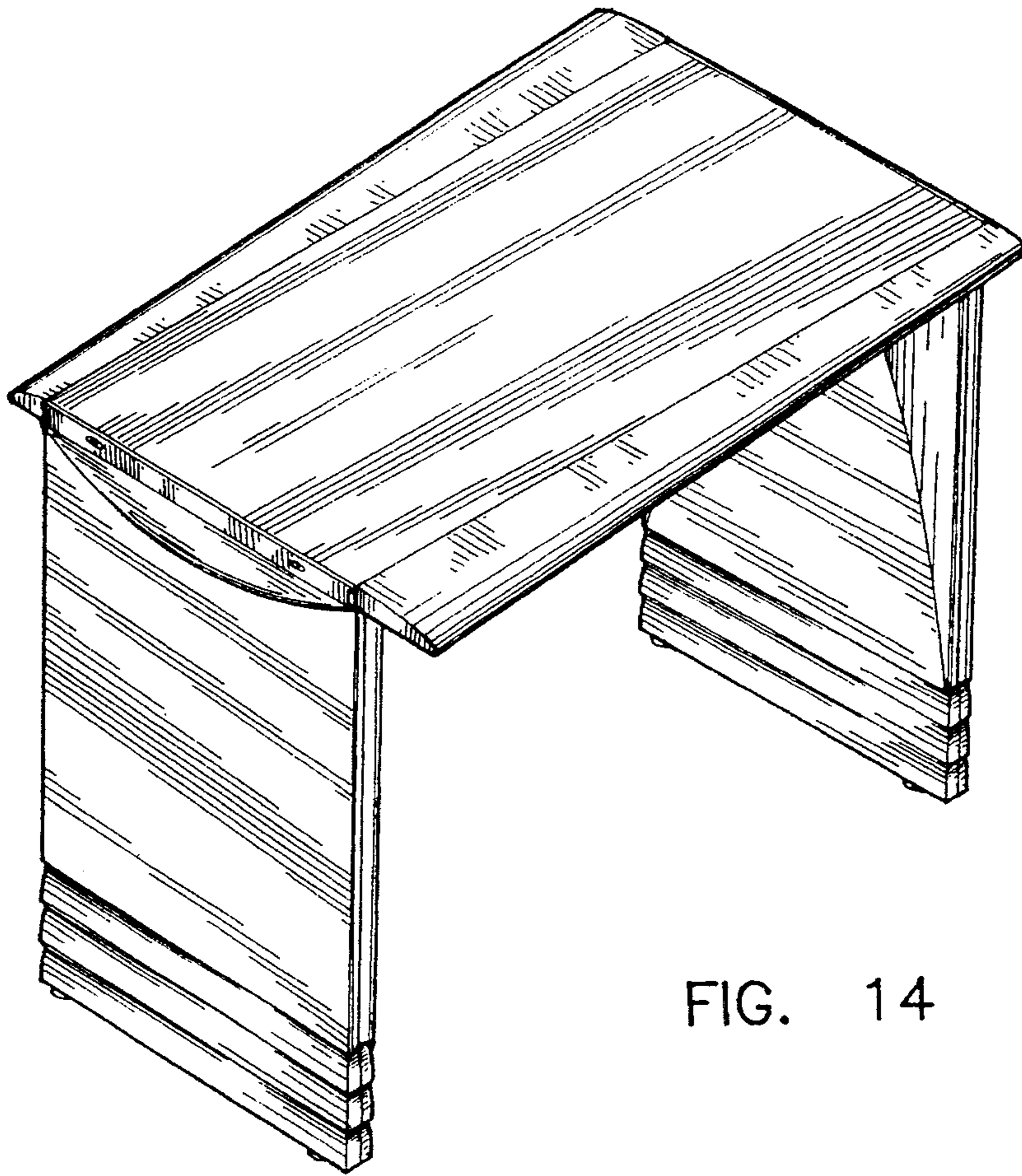


FIG. 14

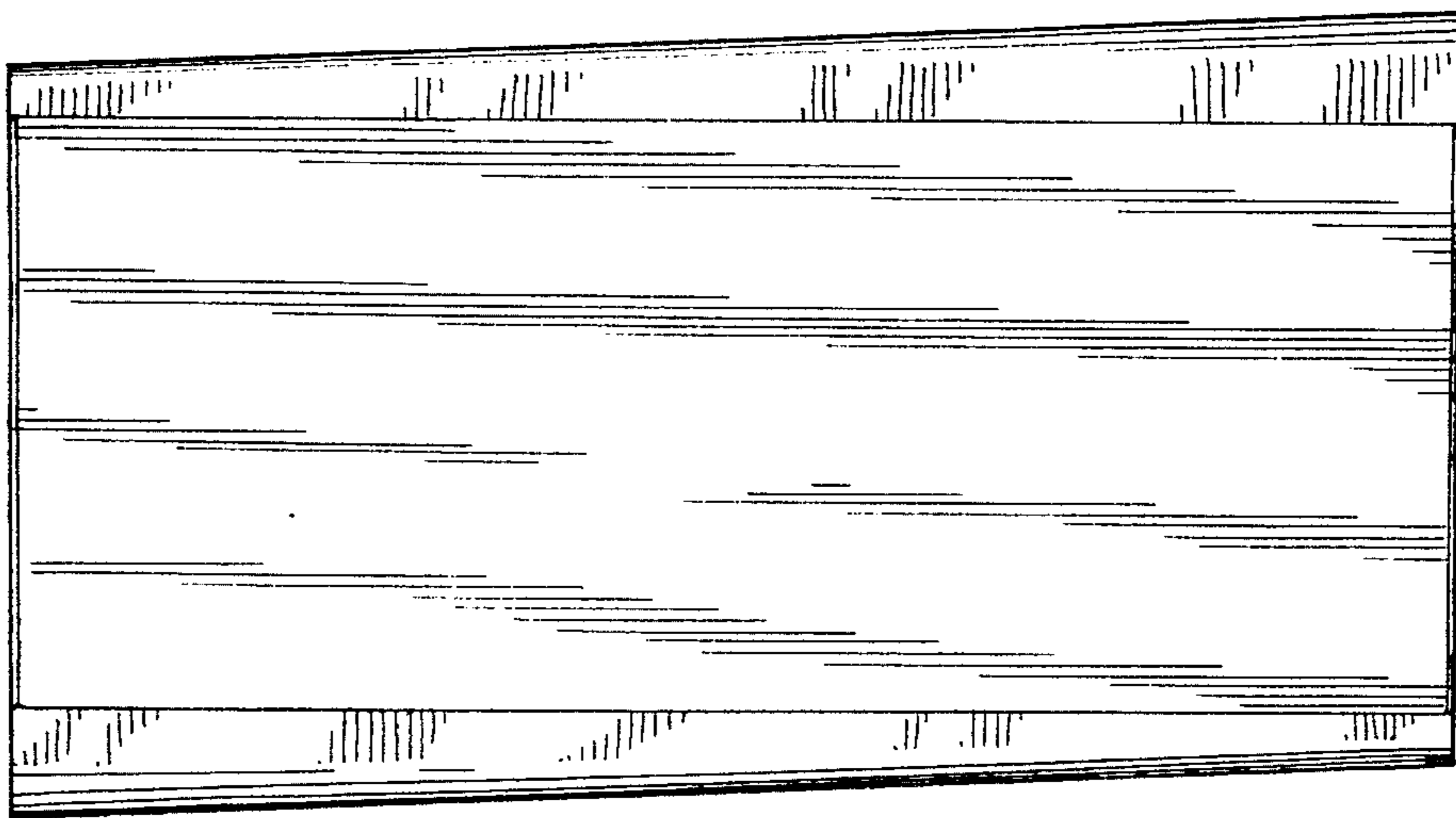


FIG. 15

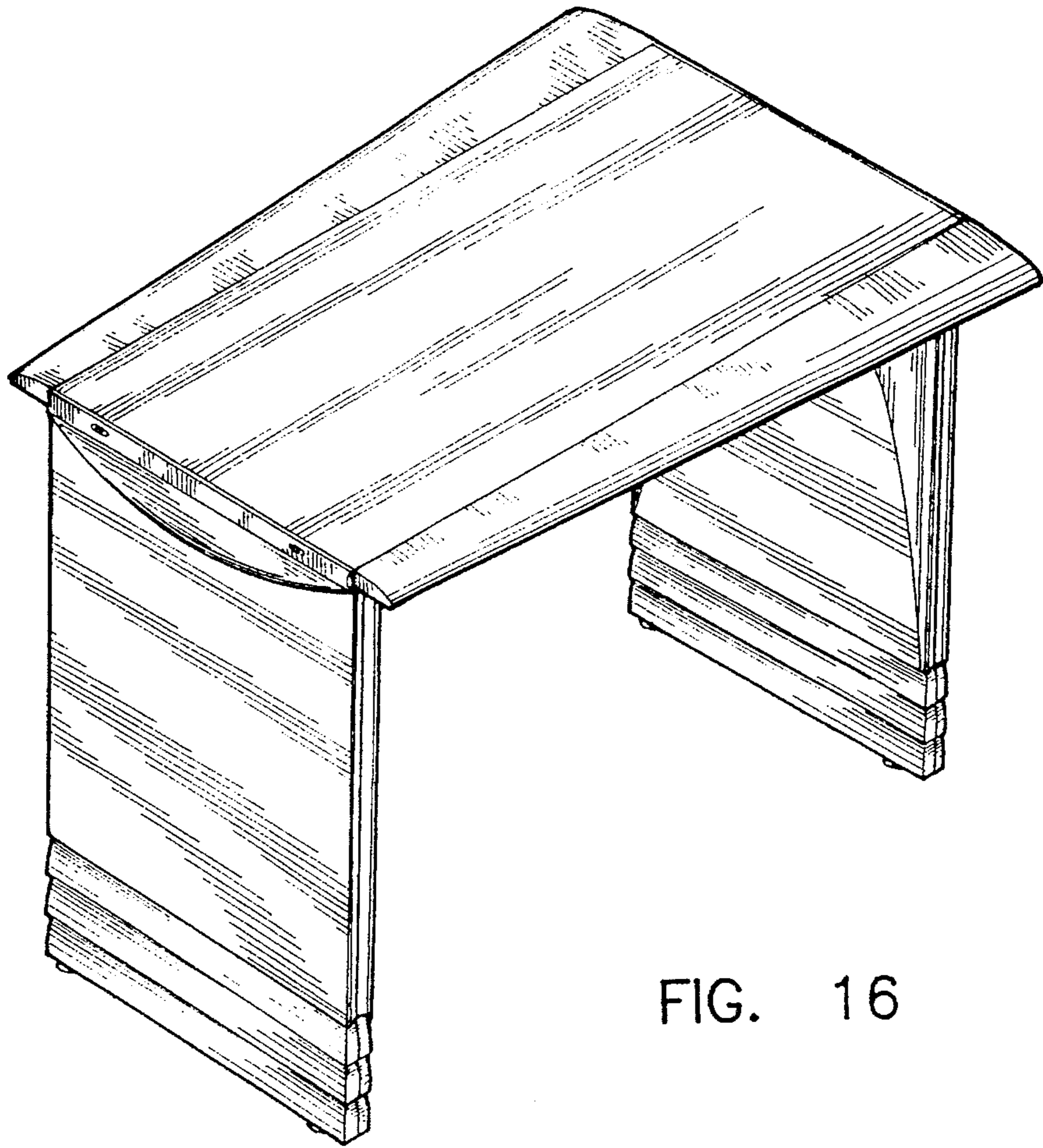


FIG. 16

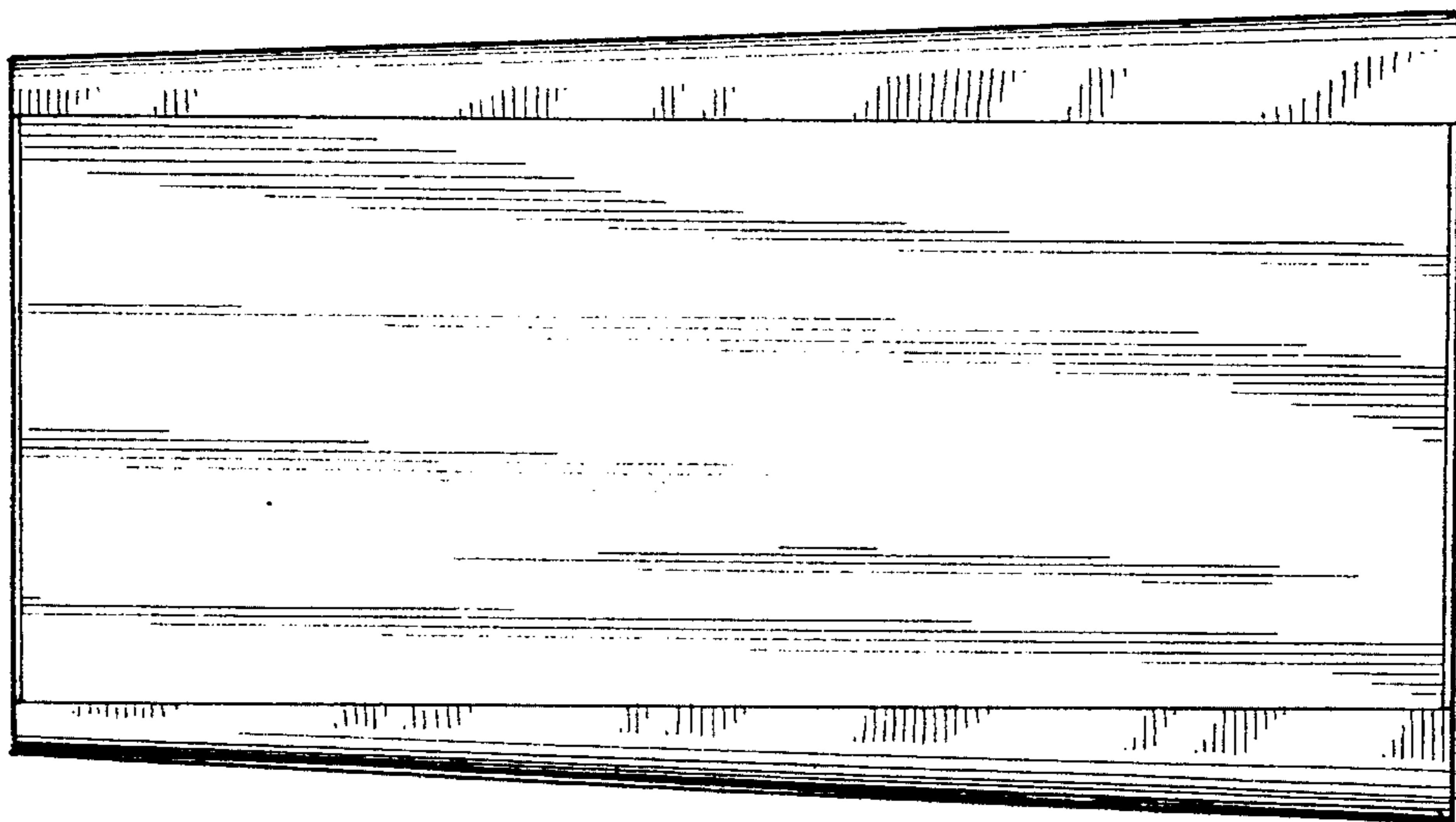


FIG. 17



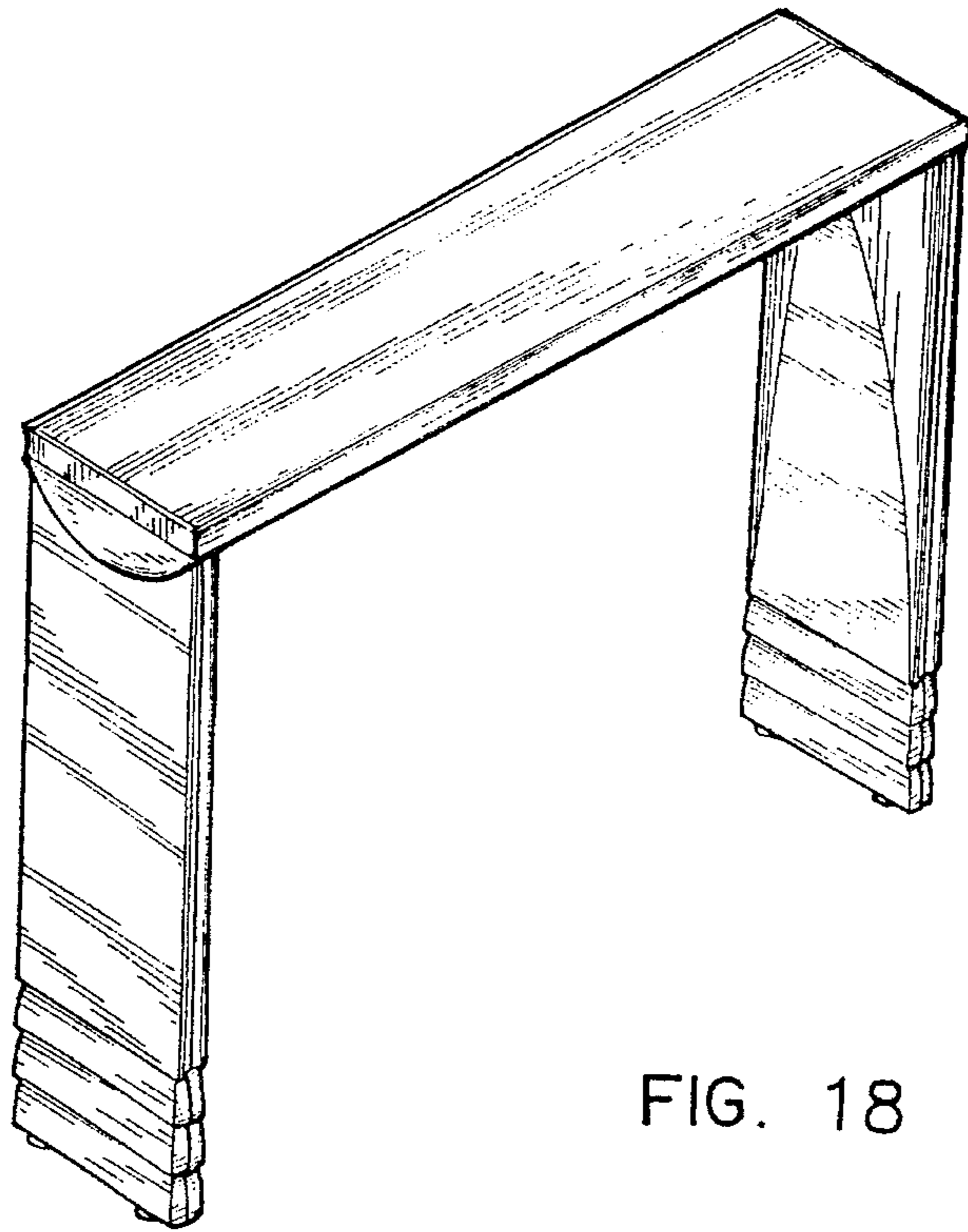


FIG. 18

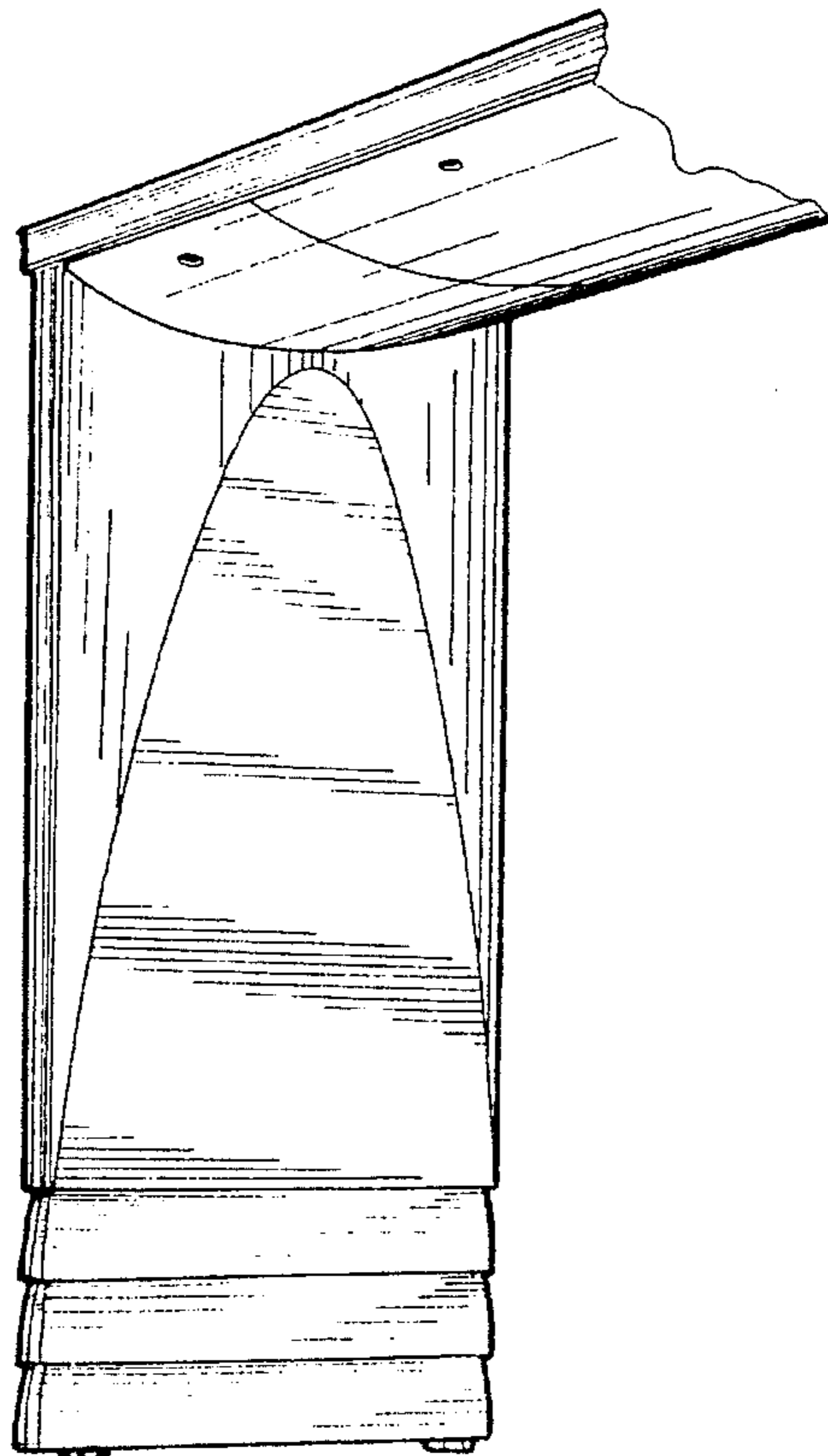


FIG. 19