



US00D368191S

United States Patent [19] Mitchell

[11] Patent Number: **Des. 368,191**
[45] Date of Patent: ****Mar. 26, 1996**

[54] **TABLE**
[75] Inventor: **Bob Mitchell**, Lenoir, N.C.
[73] Assignee: **Master Design Furniture, Inc.**,
Greensboro, N.C.
[**] Term: **14 Years**
[21] Appl. No.: **25,452**
[22] Filed: **Jul. 1, 1994**
[52] U.S. Cl. **D6/484; D6/511**
[58] Field of Search D6/480-489, 495,
D6/511, 451; 108/153, 156, 161; 248/188,
188.1

D. 346,714 5/1994 Ferguson D6/480
D. 350,865 9/1994 Ward D6/484
3,885,765 5/1975 Richards .

OTHER PUBLICATIONS

Evans 1987-1988, p. 232, #2 at top left.
American of Martinsville, p. 3, table at top.
Furniture Today, Apr. 10, 1989, p. 142, table at top right.
Official Buyers Guide to the Southern Market, South. Furn.
Market Center, Spring 1983, p. 143, table at bottom.
Chromcraft, p. CO 1.
Chromcraft, p. EL 1.

Primary Examiner—Janice E. Seeger
Attorney, Agent, or Firm—Rhodes Coates & Bennett

[56] References Cited

U.S. PATENT DOCUMENTS

D. 86,529 1/1932 Lober et al. .
D. 181,538 11/1957 Lubberts et al. D6/480 X
D. 239,843 5/1976 Freeman .
D. 243,982 4/1977 Carter D6/484
D. 243,983 4/1977 Carter D6/484
D. 259,981 9/1981 Alpert .
D. 260,711 9/1981 Redmond D6/480
D. 263,909 4/1982 Adkinson .
D. 283,382 4/1986 Goldsmith .
D. 284,919 8/1986 Garcia et al. .
D. 288,642 3/1987 DeLuca .
D. 297,599 9/1988 DeLuca .
D. 297,989 10/1988 DeLuca .
D. 323,086 1/1992 Arcese et al. .
D. 342,631 12/1993 Geniele et al. .
D. 344,421 2/1994 Keller D6/511 X
D. 346,713 5/1994 Ferguson .

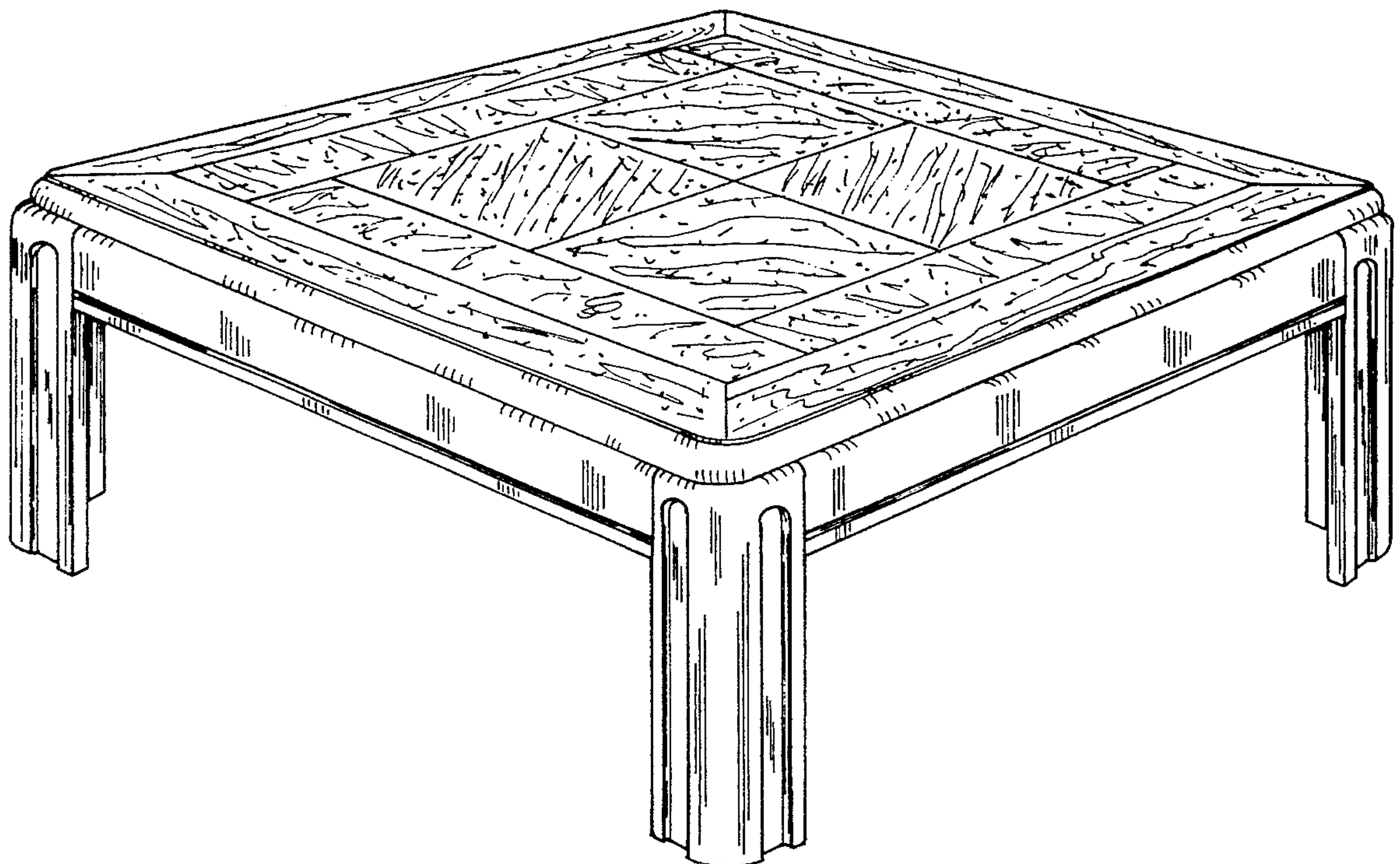
[57] CLAIM

The ornamental design for table, as shown and described.

DESCRIPTION

FIG. 1 is a perspective view of a first embodiment of a table according to my new design;
FIG. 2 is a top view of the table of FIG. 1;
FIG. 3 is a front elevation view of the table of FIG. 1;
FIG. 4 is a side elevation view of the table of FIG. 1;
FIG. 5 is a close-up, detail view of the intersection of a leg and table skirt according to all of the embodiments;
FIG. 6 is a perspective view of a table, showing a second embodiment of my new design;
FIG. 7 is a perspective view of a table, showing a third embodiment of my new design; and,
FIG. 8 is a perspective view of a table, showing a fourth embodiment of my new design.

1 Claim, 6 Drawing Sheets



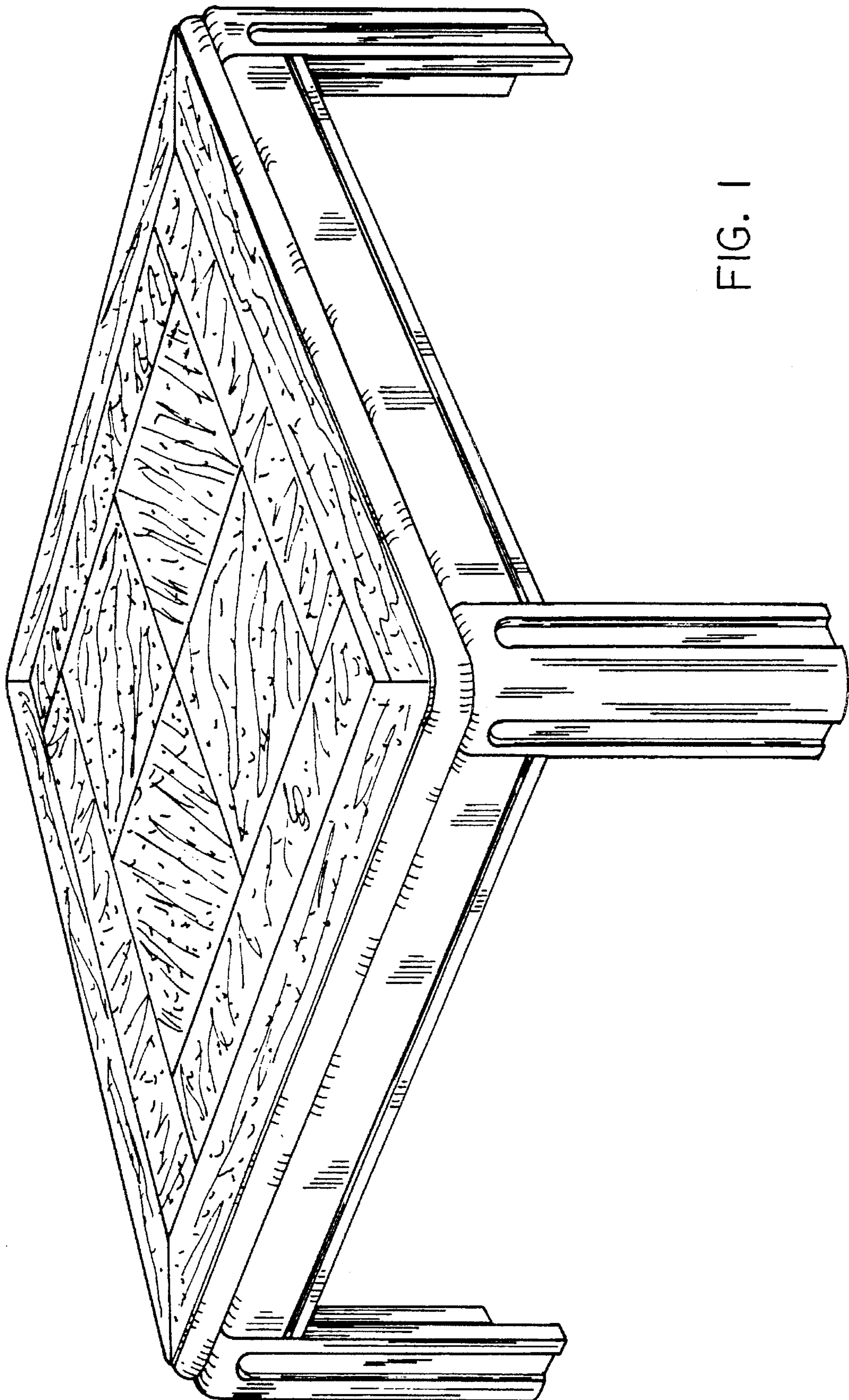


FIG. 1

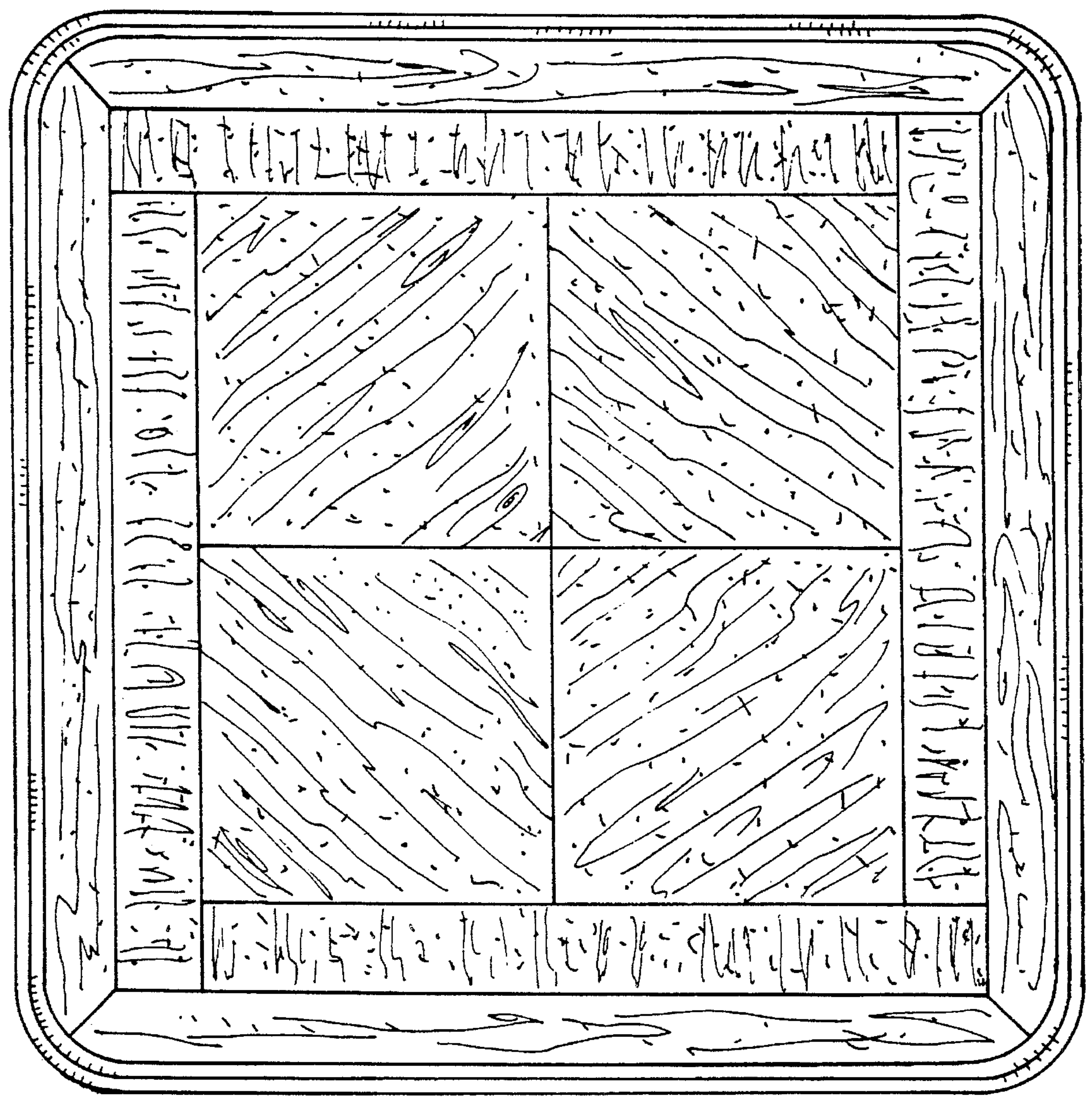
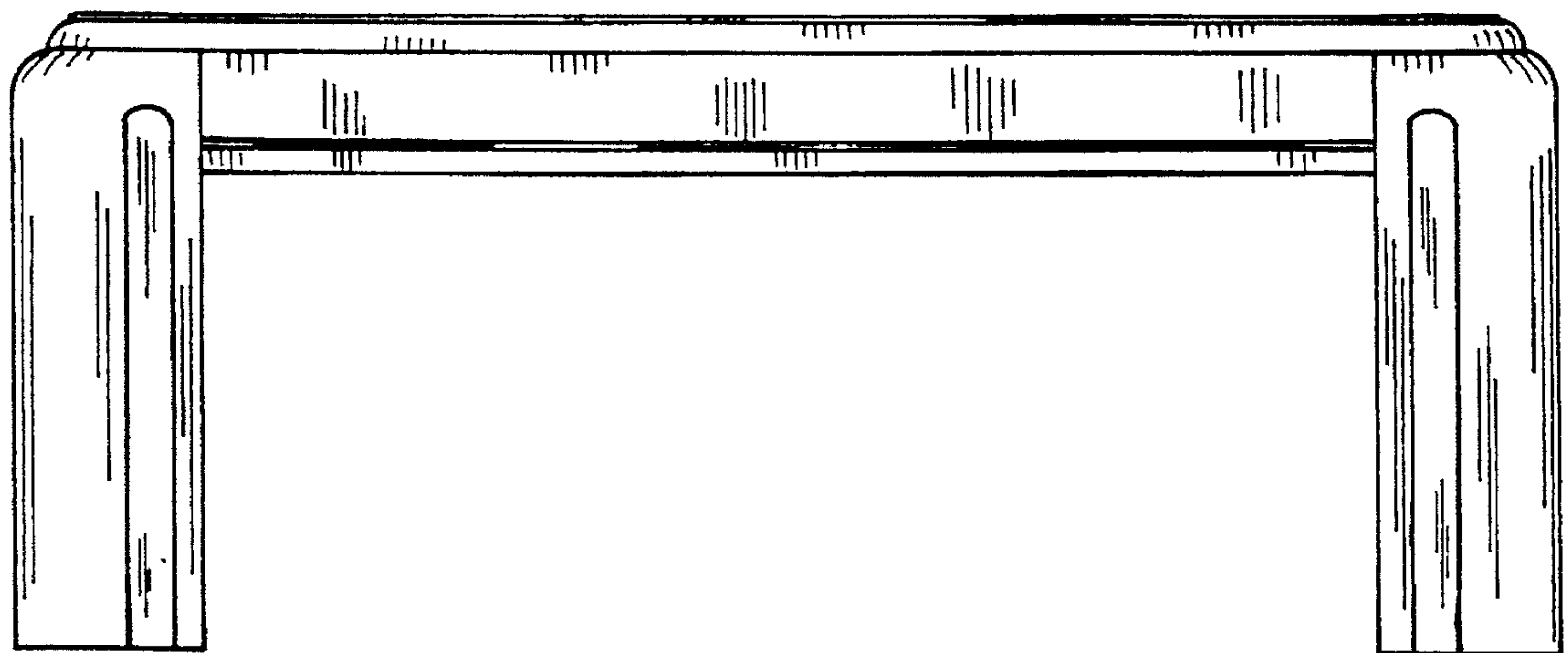


FIG. 2

FIG. 3



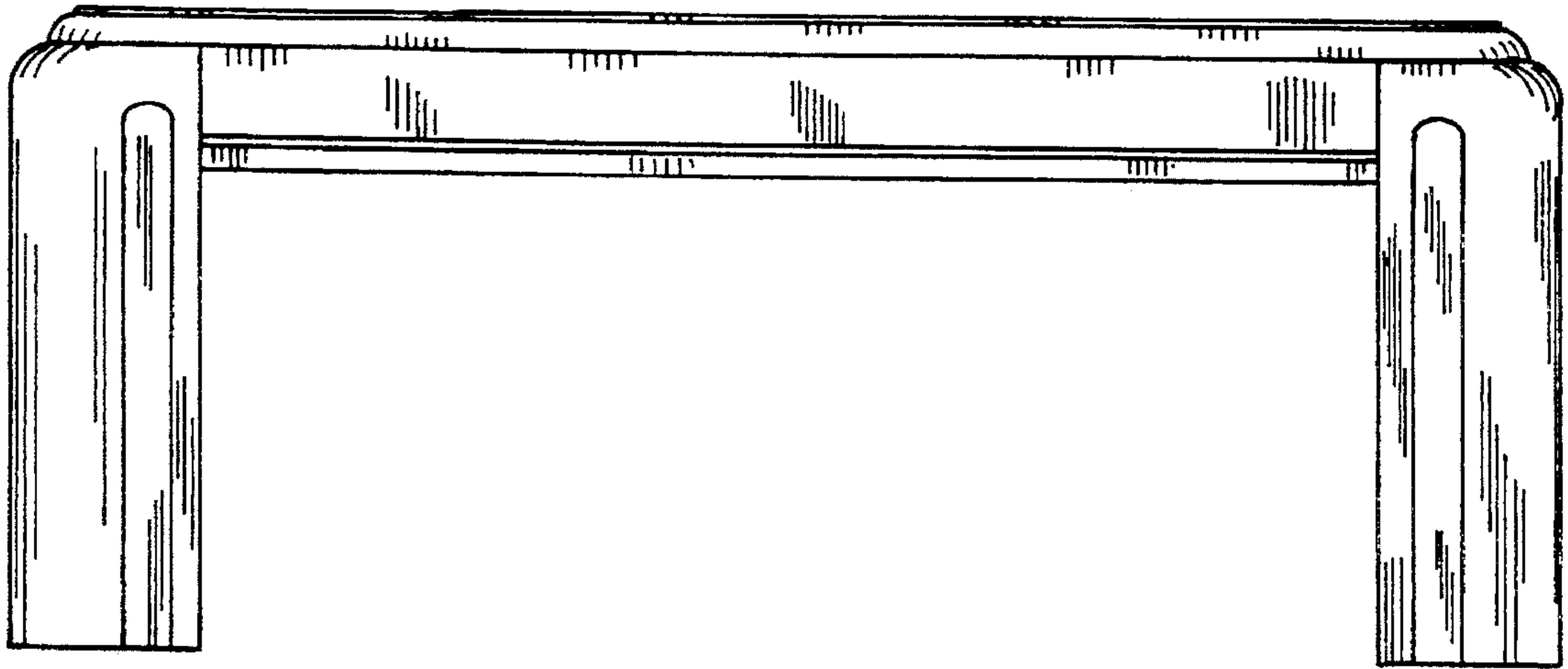
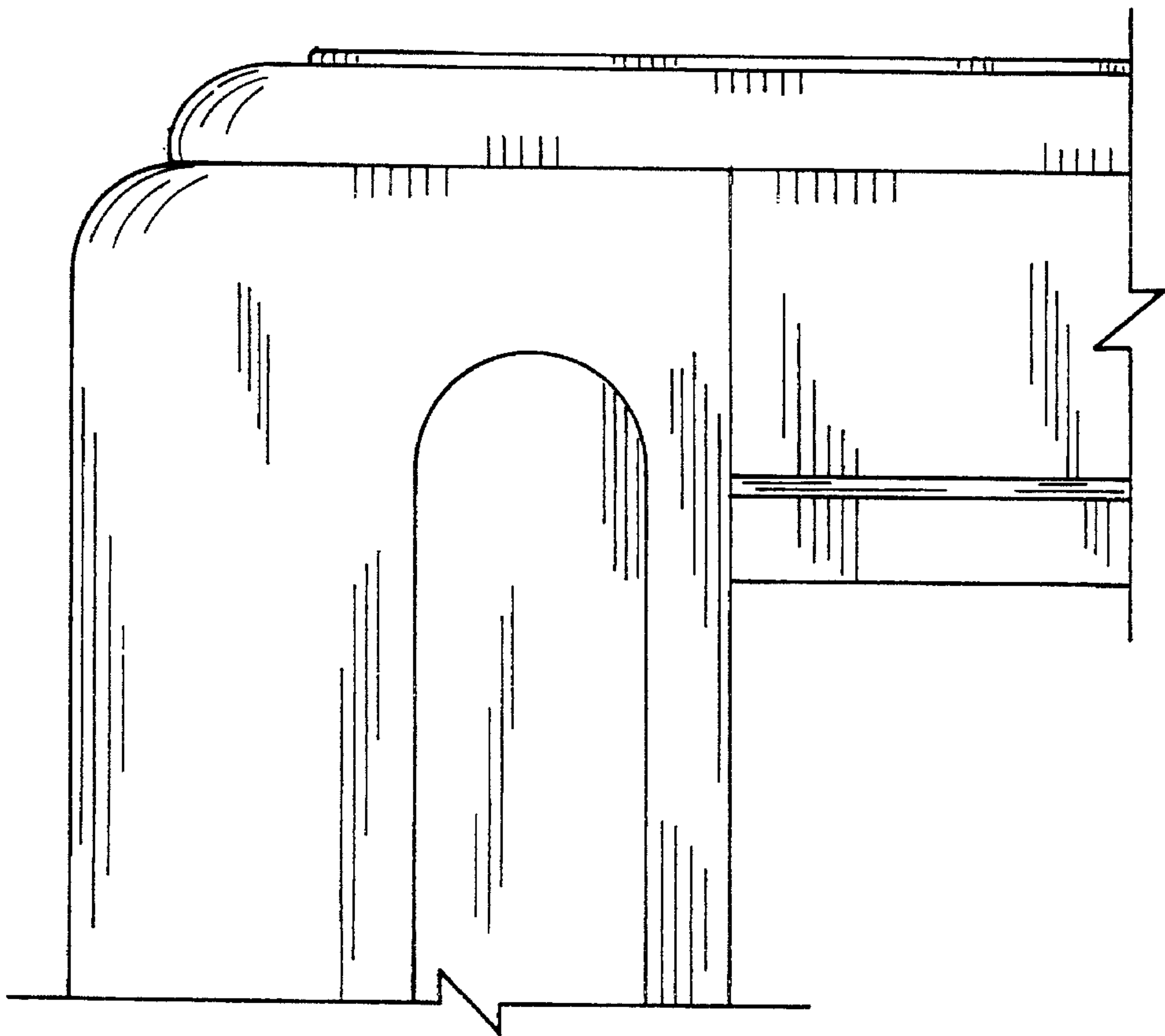


FIG. 4

FIG. 5



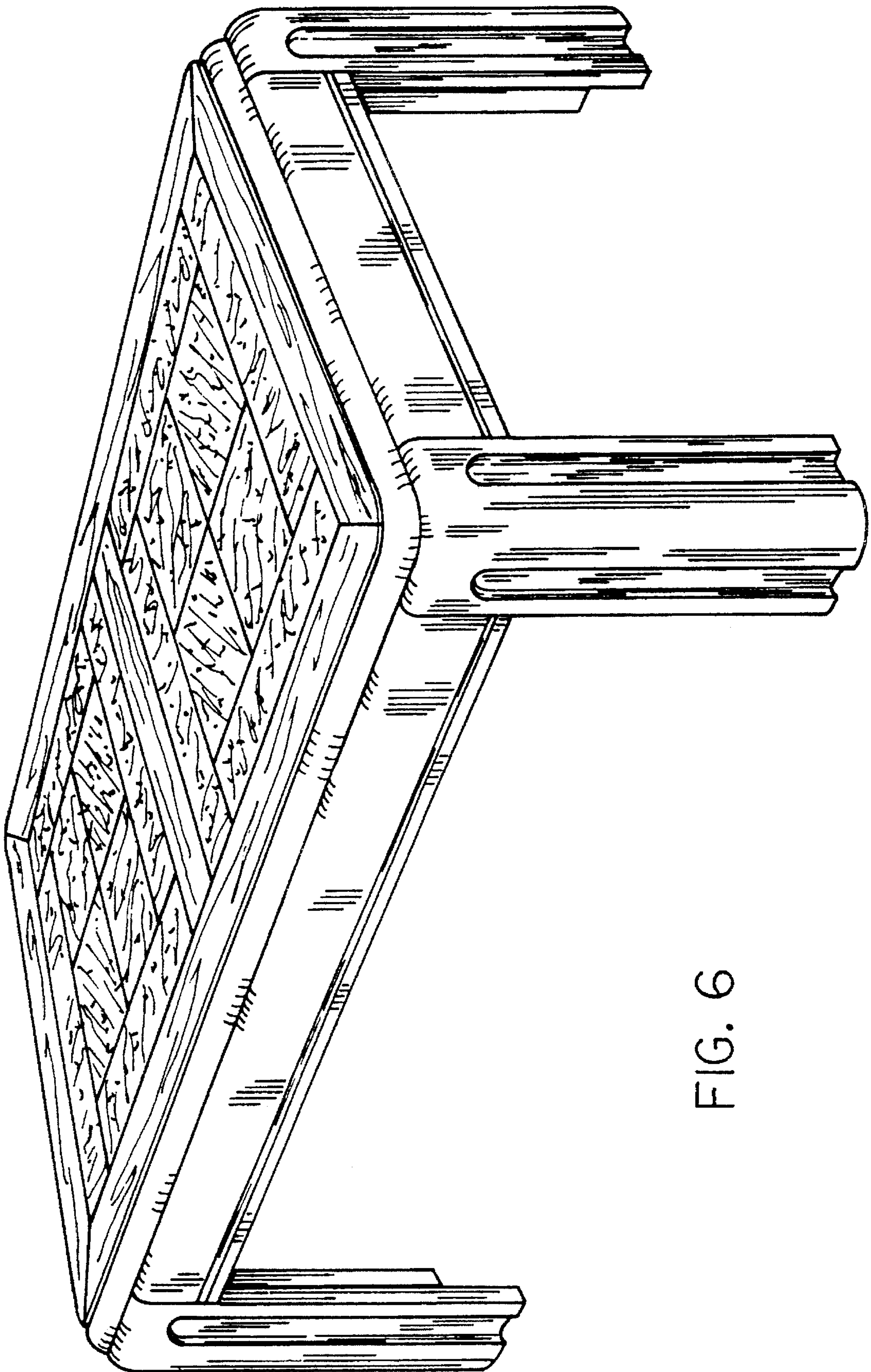


FIG. 6

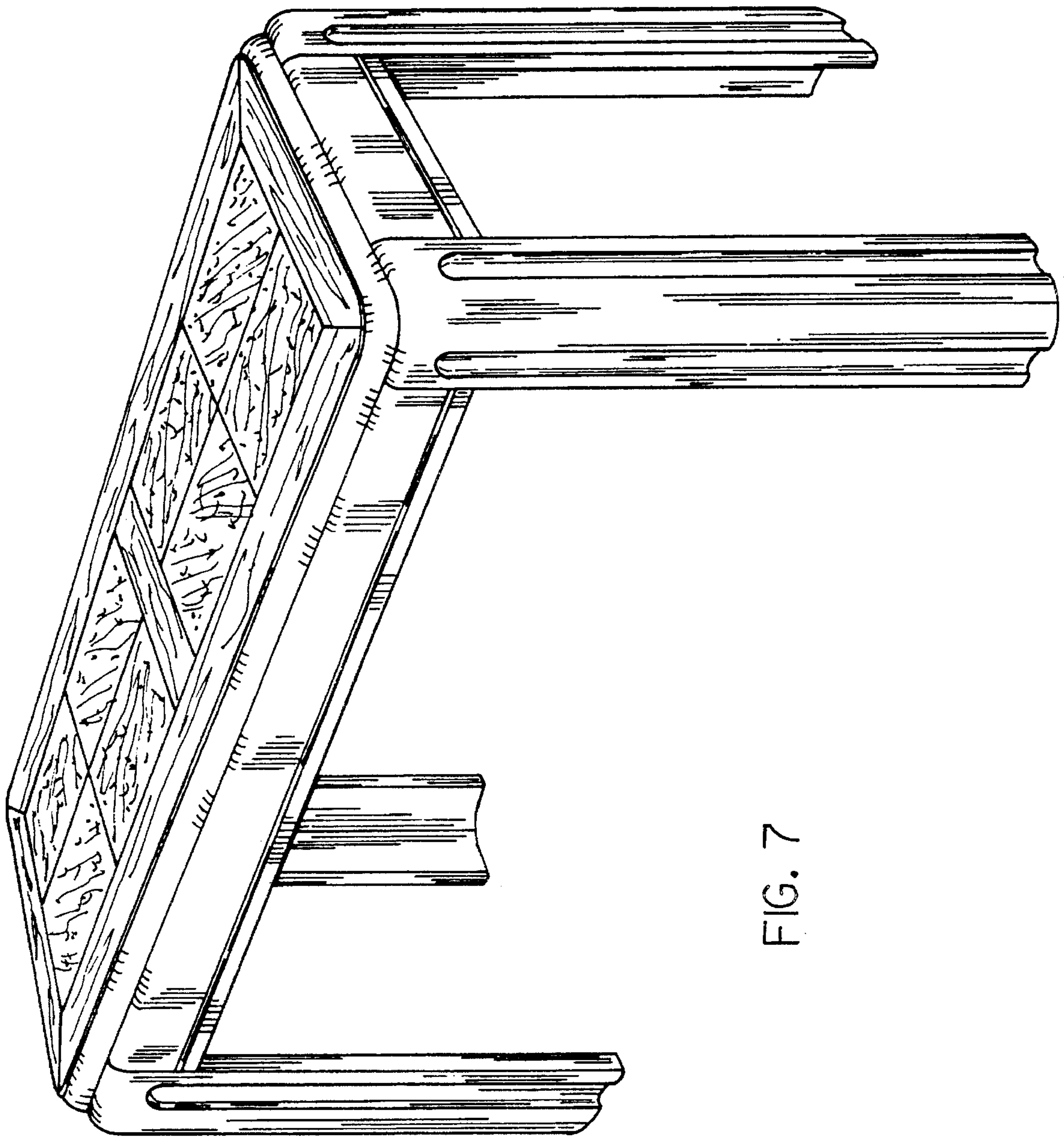


FIG. 7

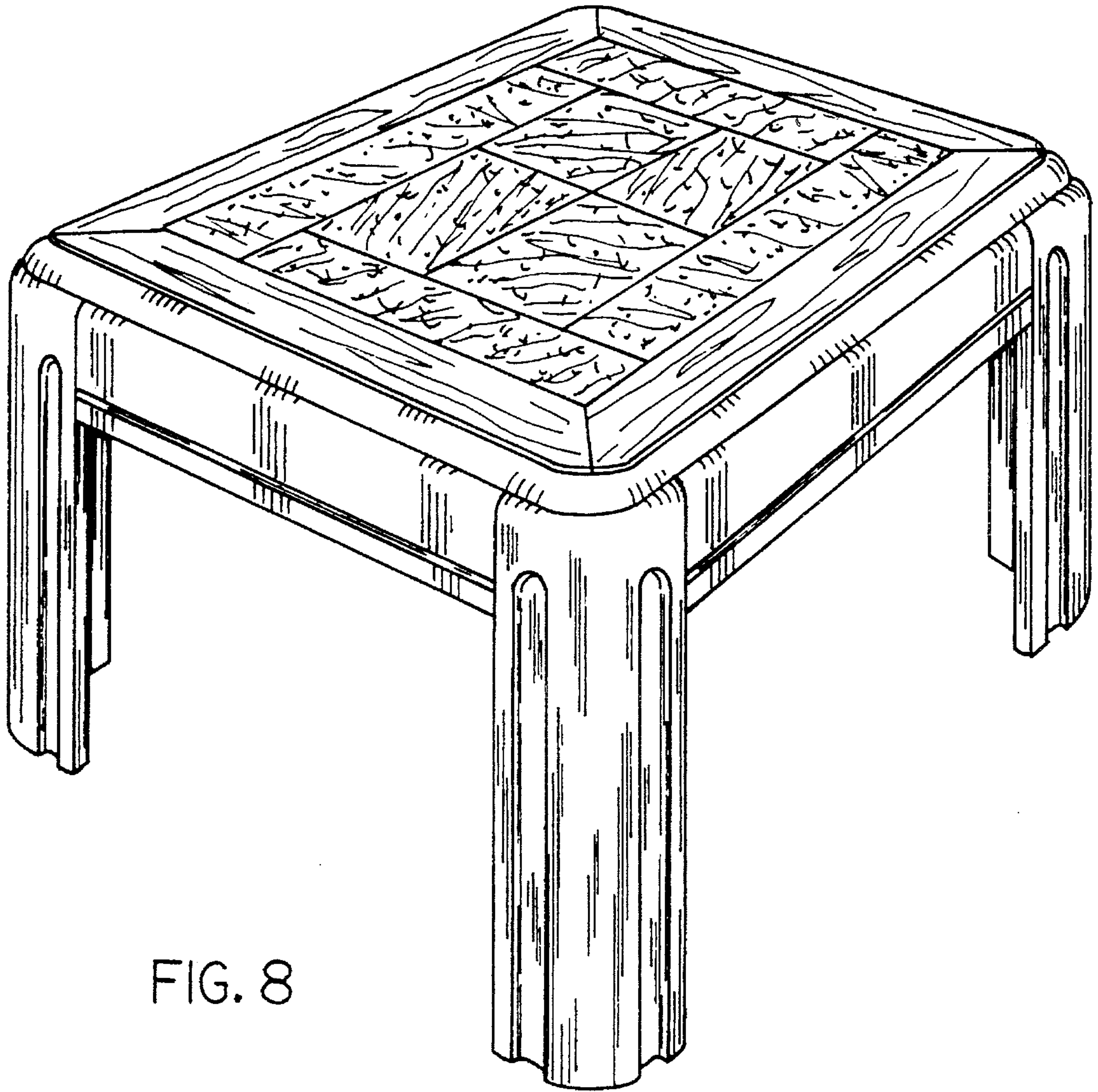


FIG. 8