



US00D368190S

United States Patent [19]
Mitchell

[11] **Patent Number: Des. 368,190**
[45] **Date of Patent: **Mar. 26, 1996**

[54] **TABLE**

[75] Inventor: **Bob Mitchell**, Lenoir, N.C.
[73] Assignee: **Master Design Furniture, Inc.**,
Greensboro, N.C.
[**] Term: **14 Years**

[21] Appl. No.: **25,450**
[22] Filed: **Jul. 1, 1994**
[52] **U.S. Cl.** **D6/484; D6/511**
[58] **Field of Search** **D6/480-489, 495,**
D6/511, 451; 108/153, 156, 161; 248/188,
188.1

[56] **References Cited**

U.S. PATENT DOCUMENTS

| | | | |
|------------|---------|----------------------|----------|
| D. 86,529 | 1/1932 | Lober et al. . | |
| D. 181,538 | 11/1957 | Lubberts et al. | D6/480 X |
| D. 239,843 | 5/1976 | Freeman . | |
| D. 243,982 | 4/1977 | Carter | D6/484 |
| D. 243,983 | 4/1977 | Carter | D6/484 |
| D. 259,981 | 7/1981 | Alpert . | |
| D. 260,711 | 9/1981 | Redmond | D6/480 |
| D. 263,909 | 4/1982 | Adkinson . | |
| D. 283,382 | 4/1986 | Goldsmith . | |
| D. 284,919 | 8/1986 | Garcia et al. . | |
| D. 288,642 | 3/1987 | DeLuca . | |
| D. 297,599 | 9/1988 | DeLuca . | |
| D. 297,989 | 10/1988 | DeLuca . | |
| D. 323,086 | 1/1992 | Arcese et al. . | |
| D. 342,631 | 12/1993 | Geniele et al. . | |
| D. 344,421 | 2/1994 | Keller | D6/511 X |
| D. 346,713 | 5/1994 | Ferguson . | |
| D. 346,714 | 5/1994 | Ferguson | D6/480 |
| D. 350,865 | 9/1994 | Ward | D6/484 |
| 3,885,765 | 5/1975 | Richards . | |

OTHER PUBLICATIONS

Evans 1987-1988, p. 232, #2 at top left.
American of Martinsville, p. 3, table at top.
Furniture Today, Apr. 10, 1989, p. 142, table at top right.
Official Buyers Guide to the Southern Market, South. Furn
Market Center, Spring 1983, p. 143, table at bottom.
Chromcraft, p. CO 1.
Chromcraft, p. EL1.
Meridian Oak 8500 Series.
Meridian Shelf 6500 Series.
Meridian Shelf 6600 Series.
Carmel 6100 Series.
Carmel 6300 Series.
6200 Series.

Primary Examiner—Janice E. Seeger
Attorney, Agent, or Firm—Rhodes Coats & Bennett

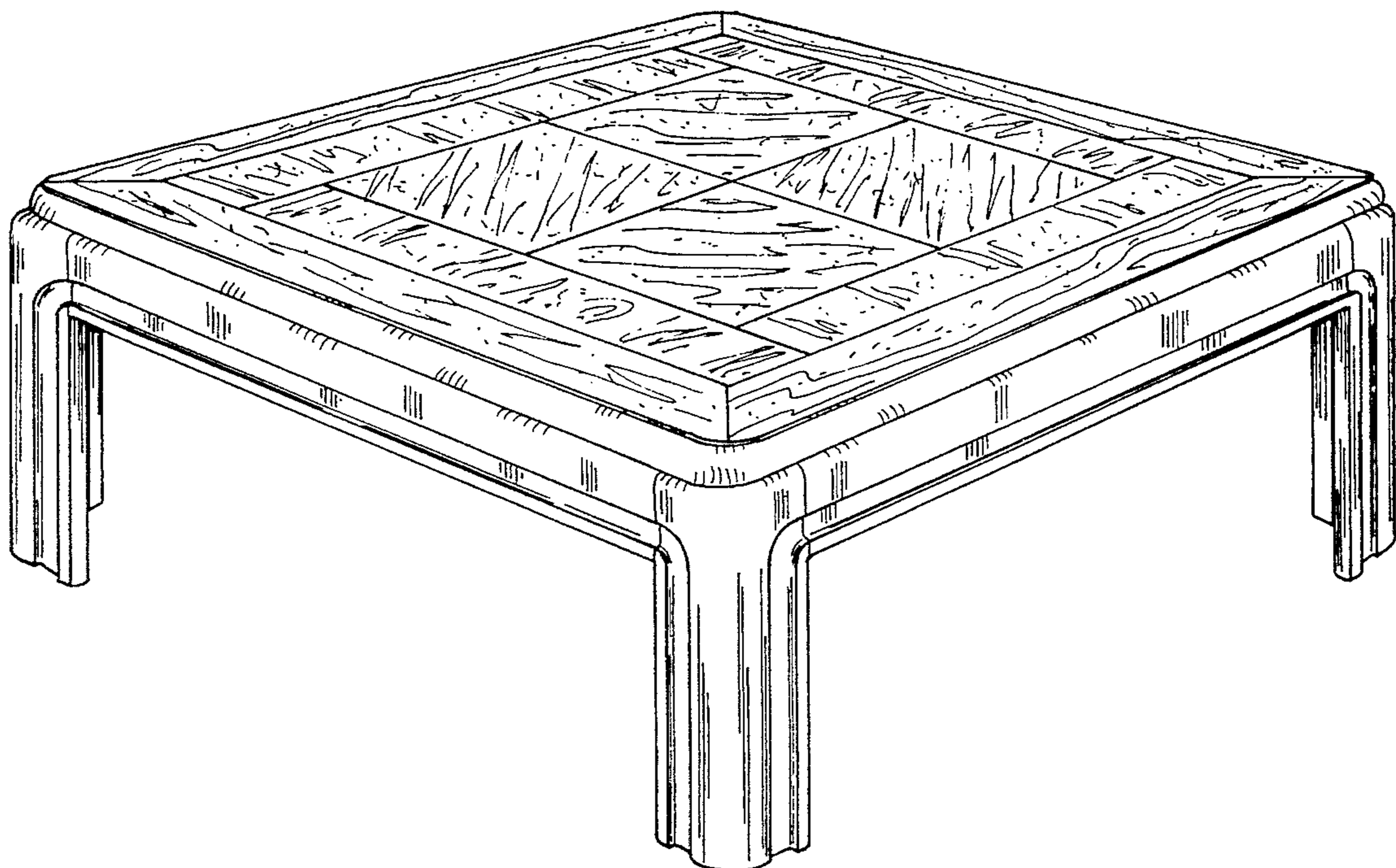
[57] **CLAIM**

The ornamental design for table, as shown and described.

DESCRIPTION

FIG. 1 is a perspective view of a first embodiment of a table according to my new design;
FIG. 2 is a top view of the table of FIG. 1;
FIG. 3 is a front elevation view of the table of FIG. 1;
FIG. 4 is a side elevation view of the table of FIG. 1;
FIG. 5 is a close-up, detail view of the intersection of a leg and table skirt according to all of the embodiments;
FIG. 6 is a perspective view of a table, showing a second embodiment of my new design;
FIG. 7 is a perspective view of a table, showing a third embodiment of my new design; and,
FIG. 8 is a perspective view of a table, showing a fourth embodiment of my new design.

1 Claim, 6 Drawing Sheets



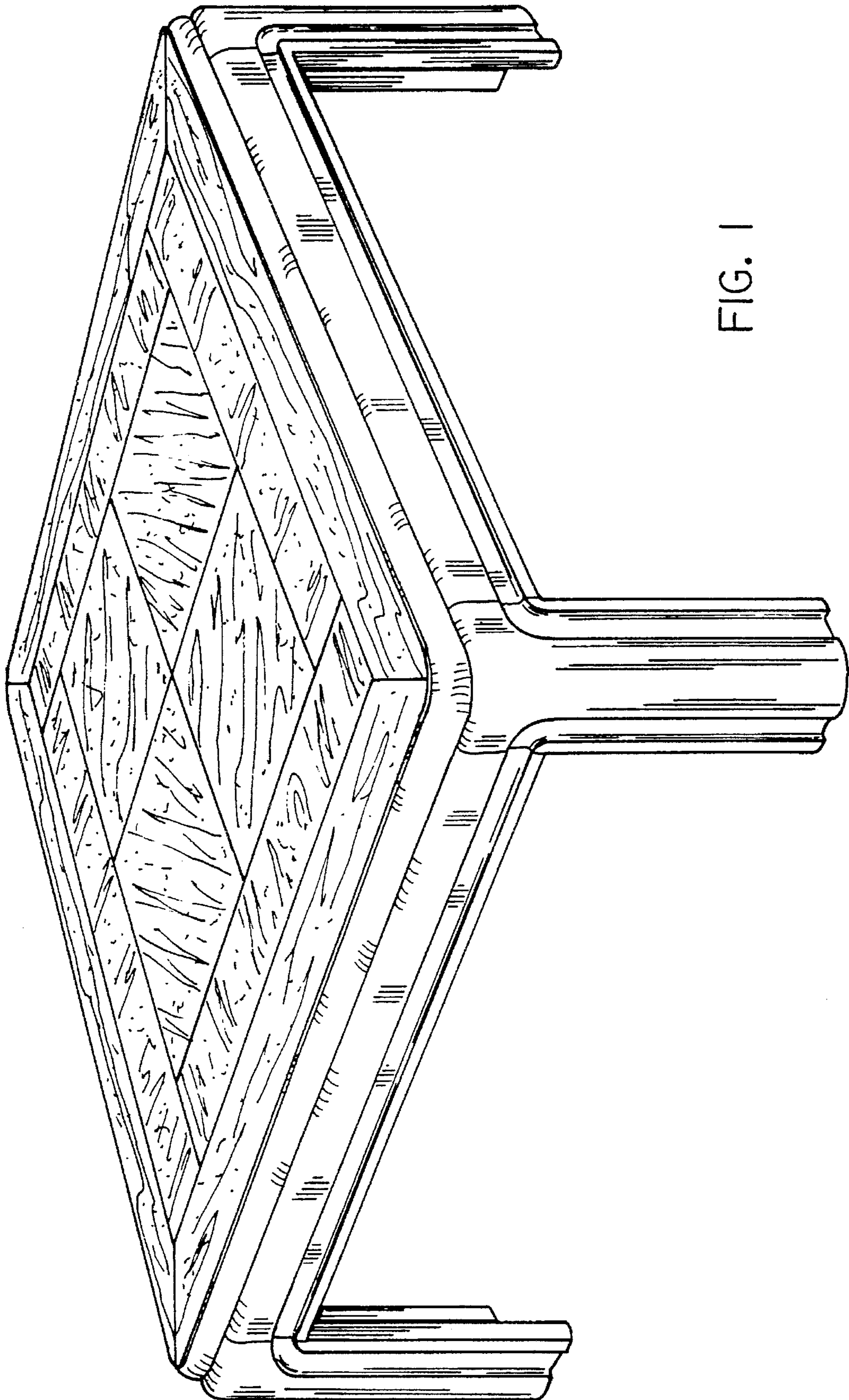


FIG. 1

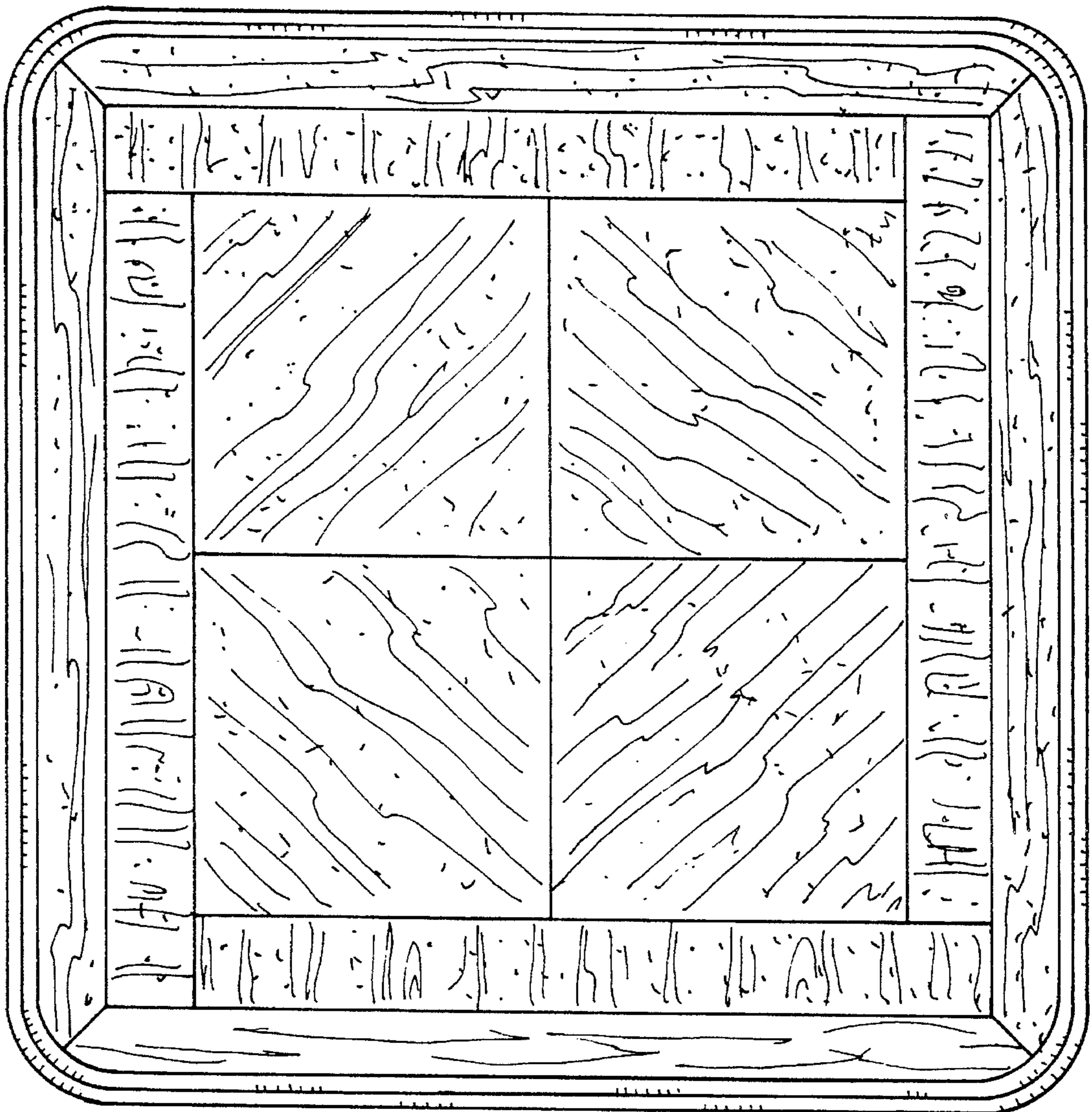
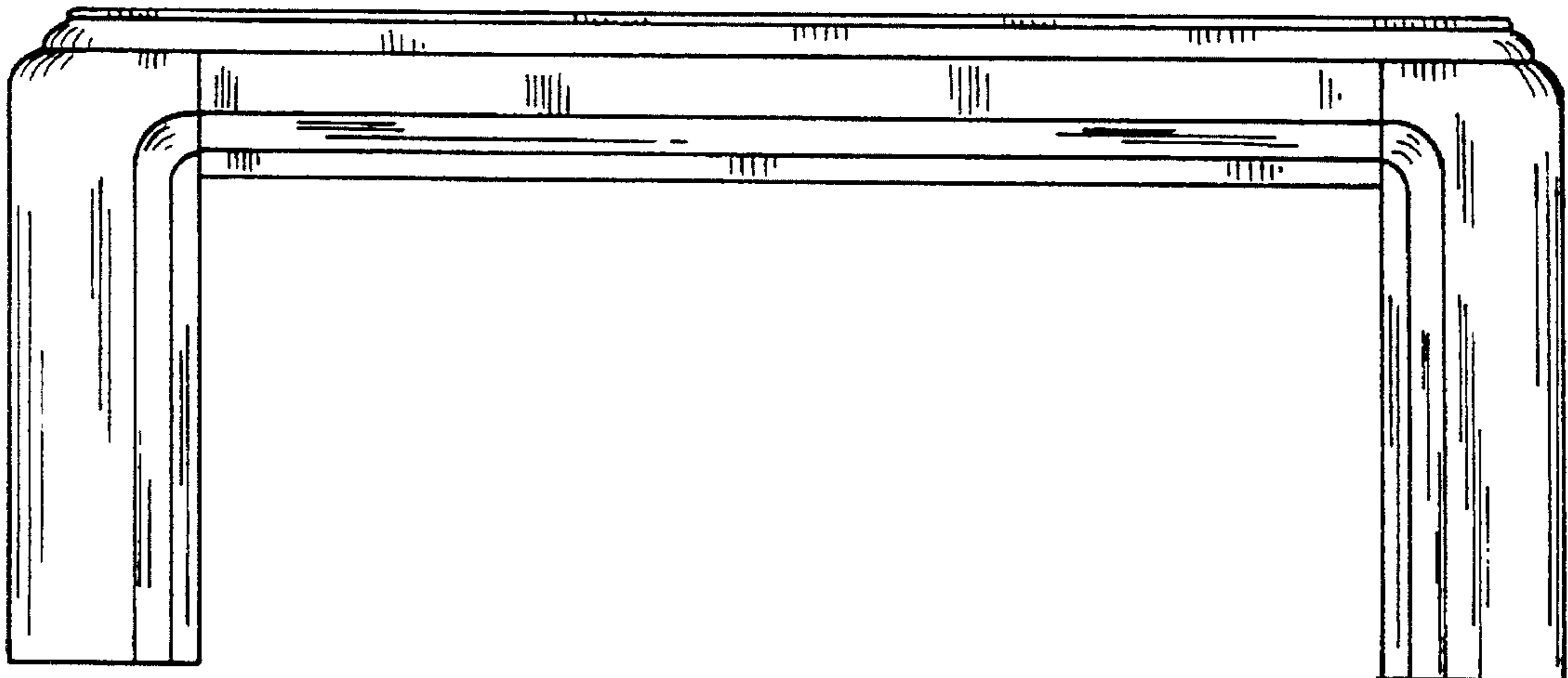


FIG. 2

FIG. 3



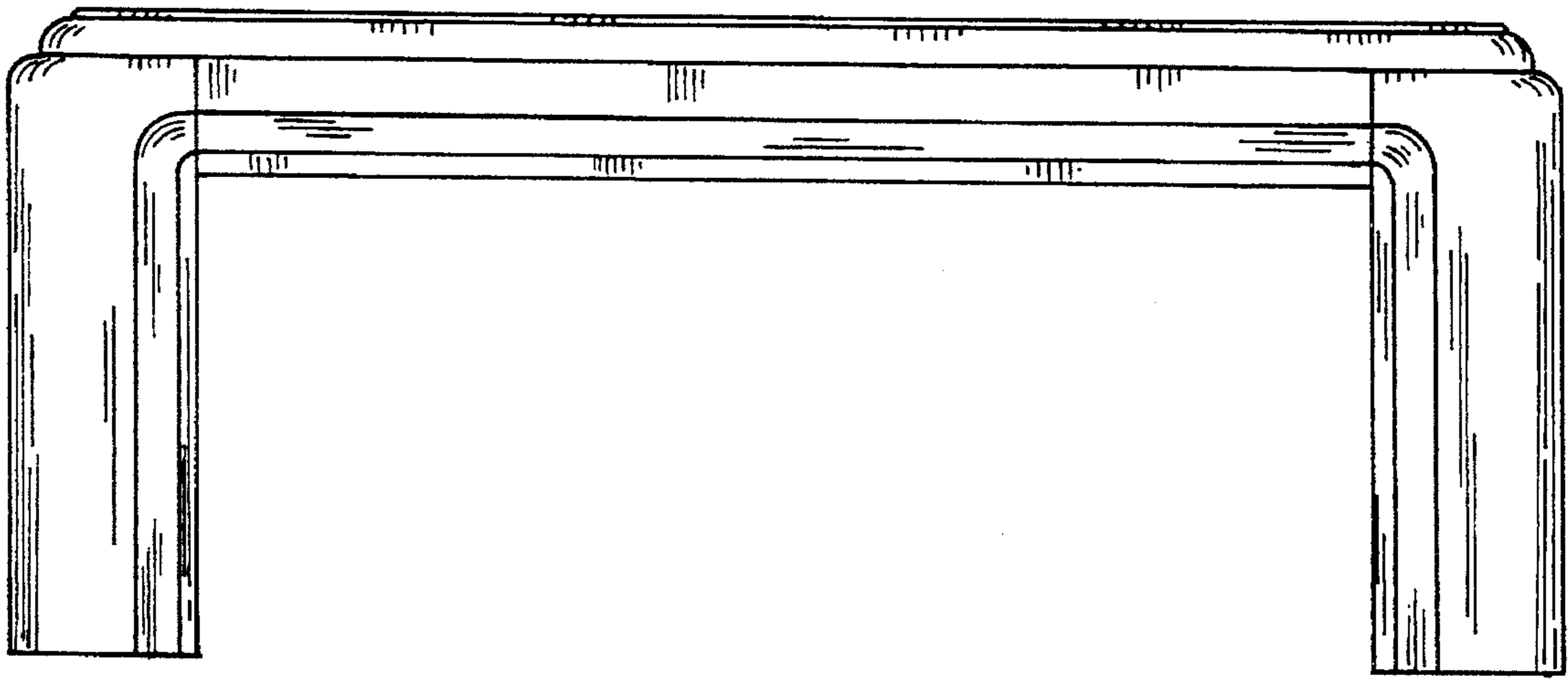
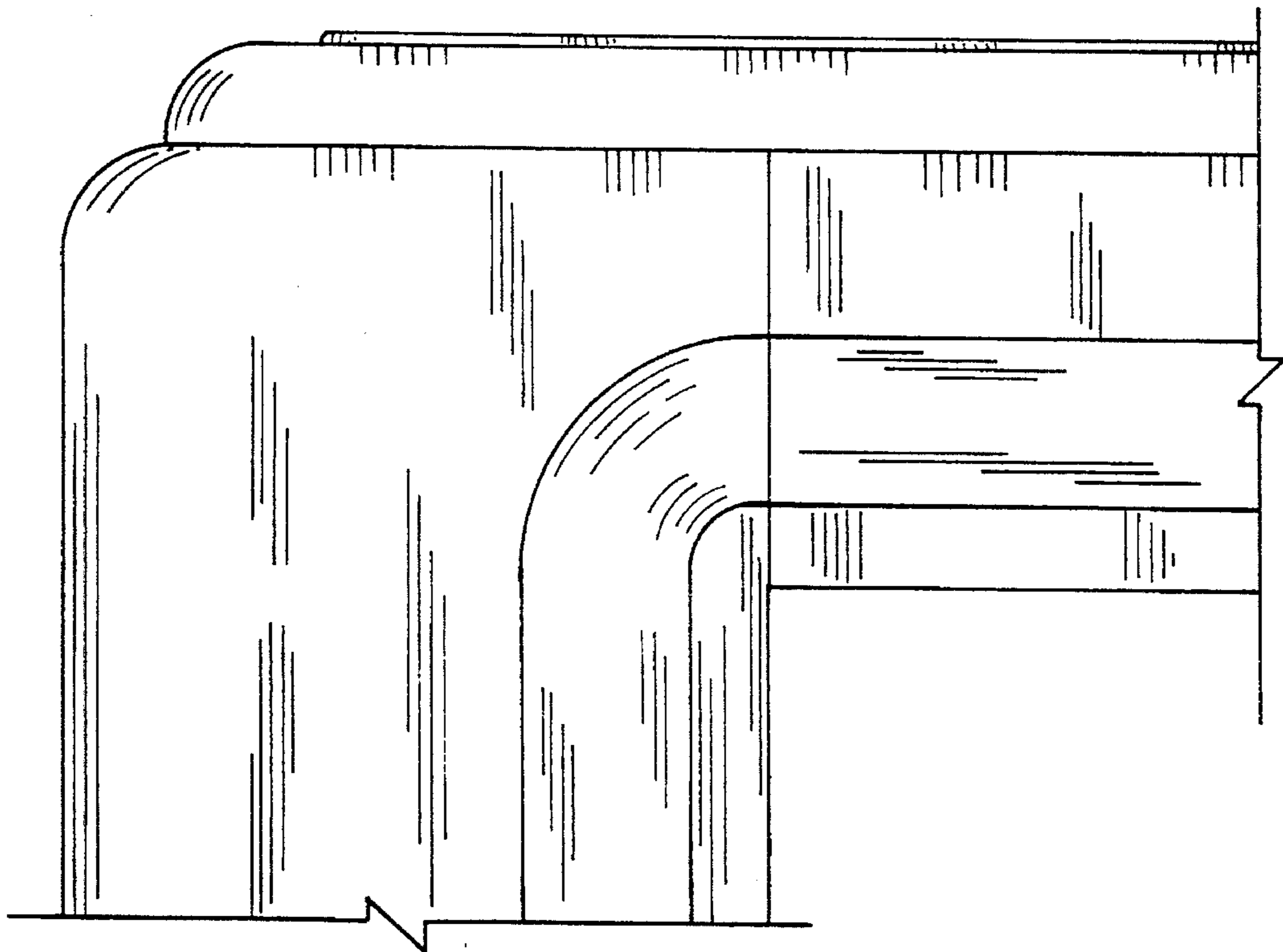


FIG. 4

FIG. 5



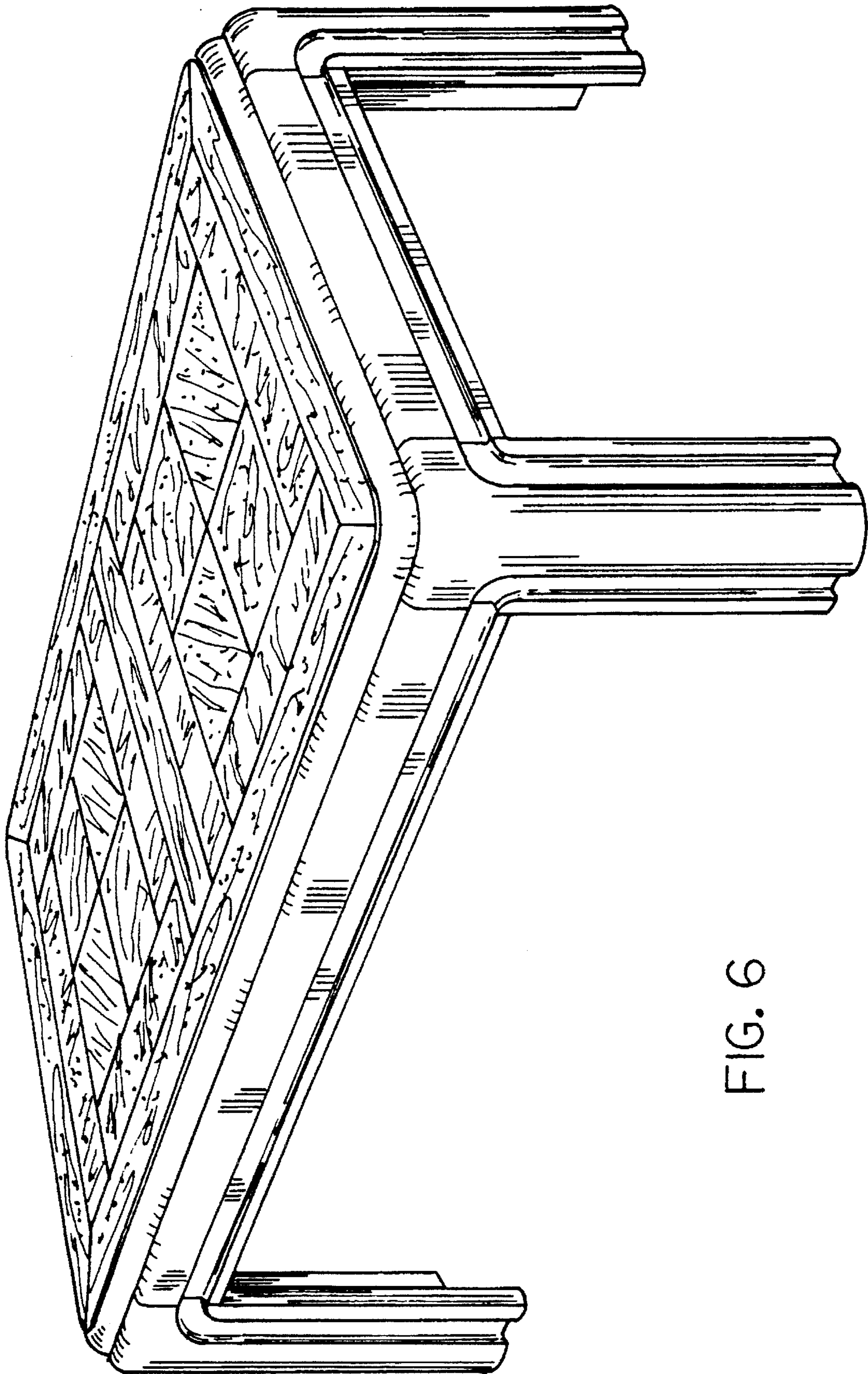


FIG. 6

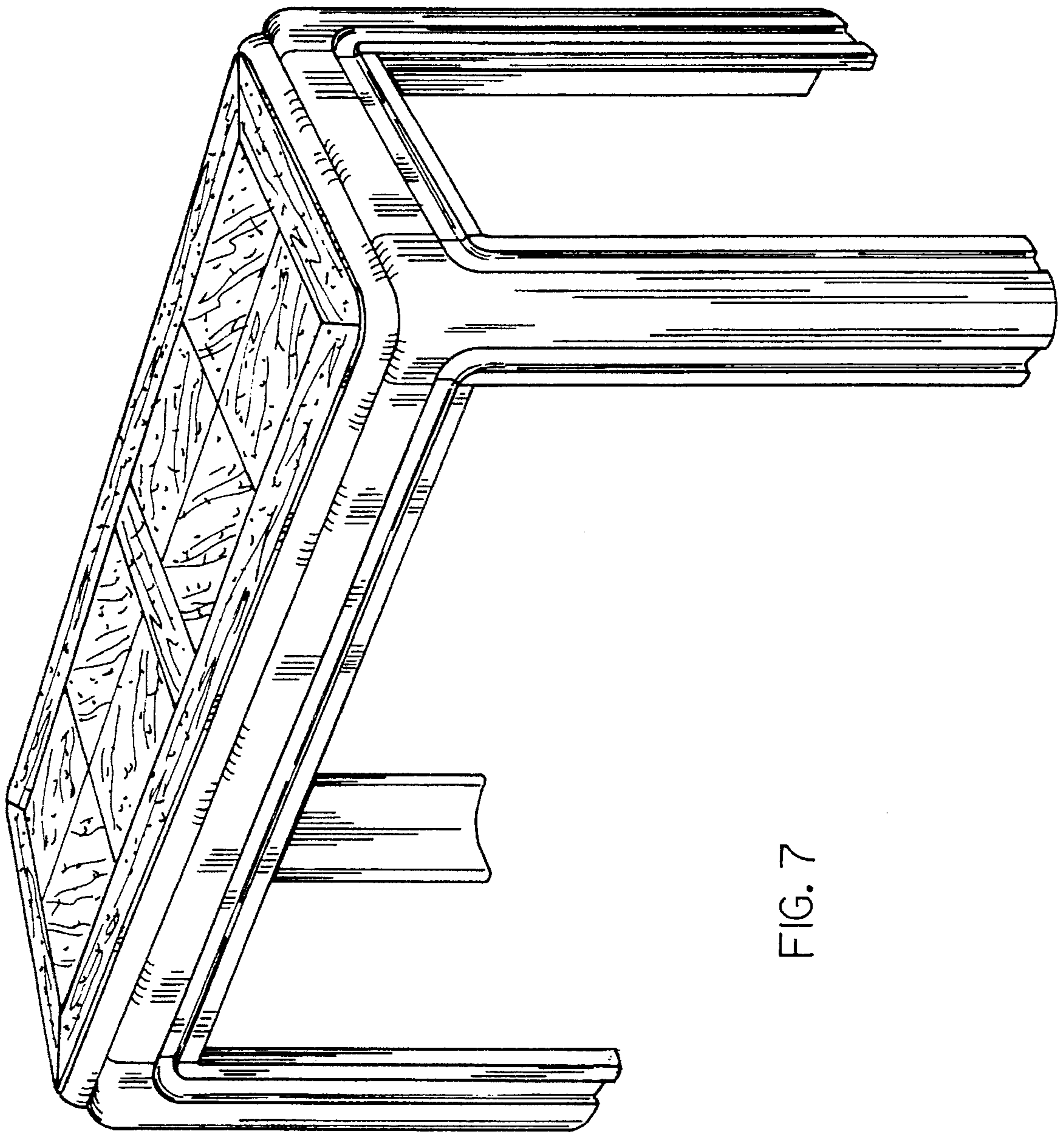


FIG. 7

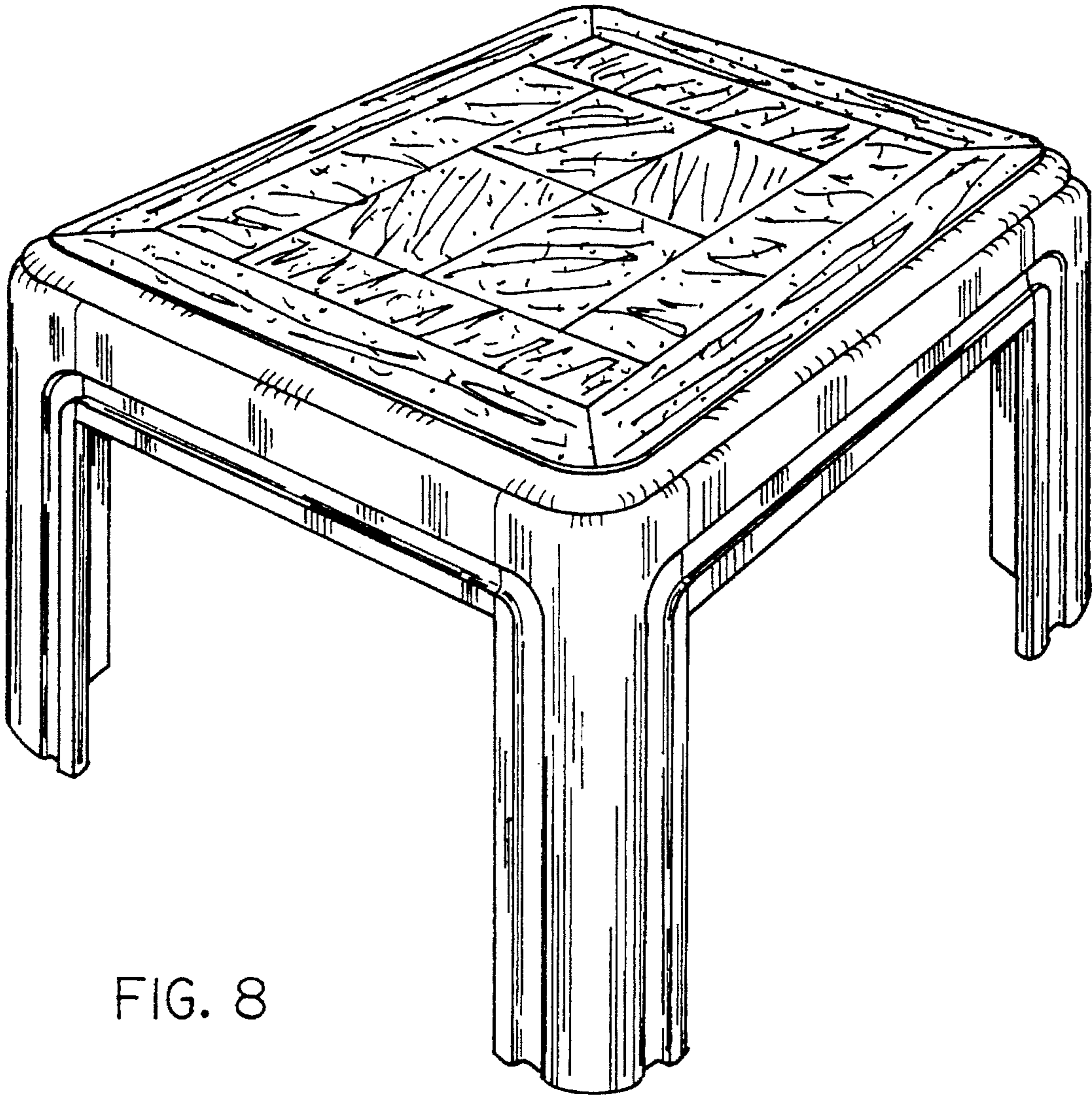


FIG. 8