



US00D368189S

# United States Patent [19]

Bro et al.

[11] Patent Number: **Des. 368,189**

[45] Date of Patent: **\*\*Mar. 26, 1996**

[54] **MULTIPURPOSE TABLE**

[75] Inventors: **Jay M. Bro**, Plano; **Richard P. Machos**, Coppell; **Peter J. Myers**, Plano, all of Tex.

[73] Assignee: **Today's Kids, Inc.**, Booneville, Ark.

[\*\*] Term: **14 Years**

[21] Appl. No.: **34,782**

[22] Filed: **Feb. 10, 1995**

[52] U.S. Cl. .... **D6/480**; D6/420; D19/52

[58] Field of Search ..... D6/480-489, 495, D6/429, 511, 397, 420, 419; 108/153, 156, 157, 161, 13, 14, 26, 62; D21/121; D19/52

[56] **References Cited**

**U.S. PATENT DOCUMENTS**

D. 169,579	5/1953	Campbell	.....	D15/11
D. 282,218	1/1986	Catelli	.....	D21/121
D. 287,741	1/1987	Taylor	.....	D21/121
D. 308,896	6/1990	Ng	.....	D21/121
D. 327,185	6/1992	Ryaa	.....	D6/432
D. 330,573	10/1992	Monneret	.....	D6/420 X
D. 362,142	9/1995	Yu-Chin	.....	D6/397 X
484,718	10/1892	Isaacs	.	
1,850,420	3/1932	Schuldt	.....	108/13
2,106,436	1/1938	Pyle	.....	311/81
2,185,907	1/1940	Alexander	.....	108/26
2,285,576	6/1942	Fox	.....	312/163
2,564,338	8/1951	McCarroll	.....	155/1
3,605,650	9/1971	Hebel et al.	.....	108/62 X
4,852,499	8/1989	Ozols	.....	108/44
4,872,410	10/1989	Lilly	.....	108/26
4,897,066	1/1990	Tapdrup et al.	.....	446/97
5,055,081	10/1991	Nayak	.....	446/75
5,070,795	12/1991	Redlin et al.	.....	108/26
5,218,912	6/1993	Buske	.....	108/26
5,244,271	9/1993	Hackwood et al.	.....	108/156 X
5,250,000	10/1993	Boutin et al.	.....	446/75
5,360,264	11/1994	Crane	.....	312/293.1

**FOREIGN PATENT DOCUMENTS**

2150017	6/1985	United Kingdom	.....	108/14
---------	--------	----------------	-------	--------

*Primary Examiner*—Janice E. Seeger  
*Attorney, Agent, or Firm*—Kirkpatrick & Lockhart

[57] **CLAIM**

The ornamental design for multipurpose table, as shown and described.

**DESCRIPTION**

FIG. 1 is a front perspective view of a multipurpose table showing our new design with the removable play surface thereof in a first position and one of the pivotal trays thereof in an extended position;

FIG. 2 is a rear perspective view of the multipurpose table of FIG. 1 with another one of the pivotal trays thereof in an extended position;

FIG. 3 is a plan view of the multipurpose table of FIGS. 1 and 2;

FIG. 4 is a front elevational view of the multipurpose table of FIGS. 1-3;

FIG. 5 is a left side elevational view of the multipurpose table of FIGS. 1-4;

FIG. 6 is a right side elevational view of the multipurpose table of FIGS. 1-5;

FIG. 7 is a rear elevational view of the multipurpose table of FIGS. 1-6;

FIG. 8 is a bottom view of the multipurpose table of FIGS. 1-7;

FIG. 9 is a perspective view of the multipurpose table showing our new design with the removable play surface thereof in a second position and the pivotal trays thereof in second positions;

FIG. 10 is a top view of the multipurpose table of FIG. 9; FIG. 11 is a front elevational view of the multipurpose table of FIGS. 9 and 10;

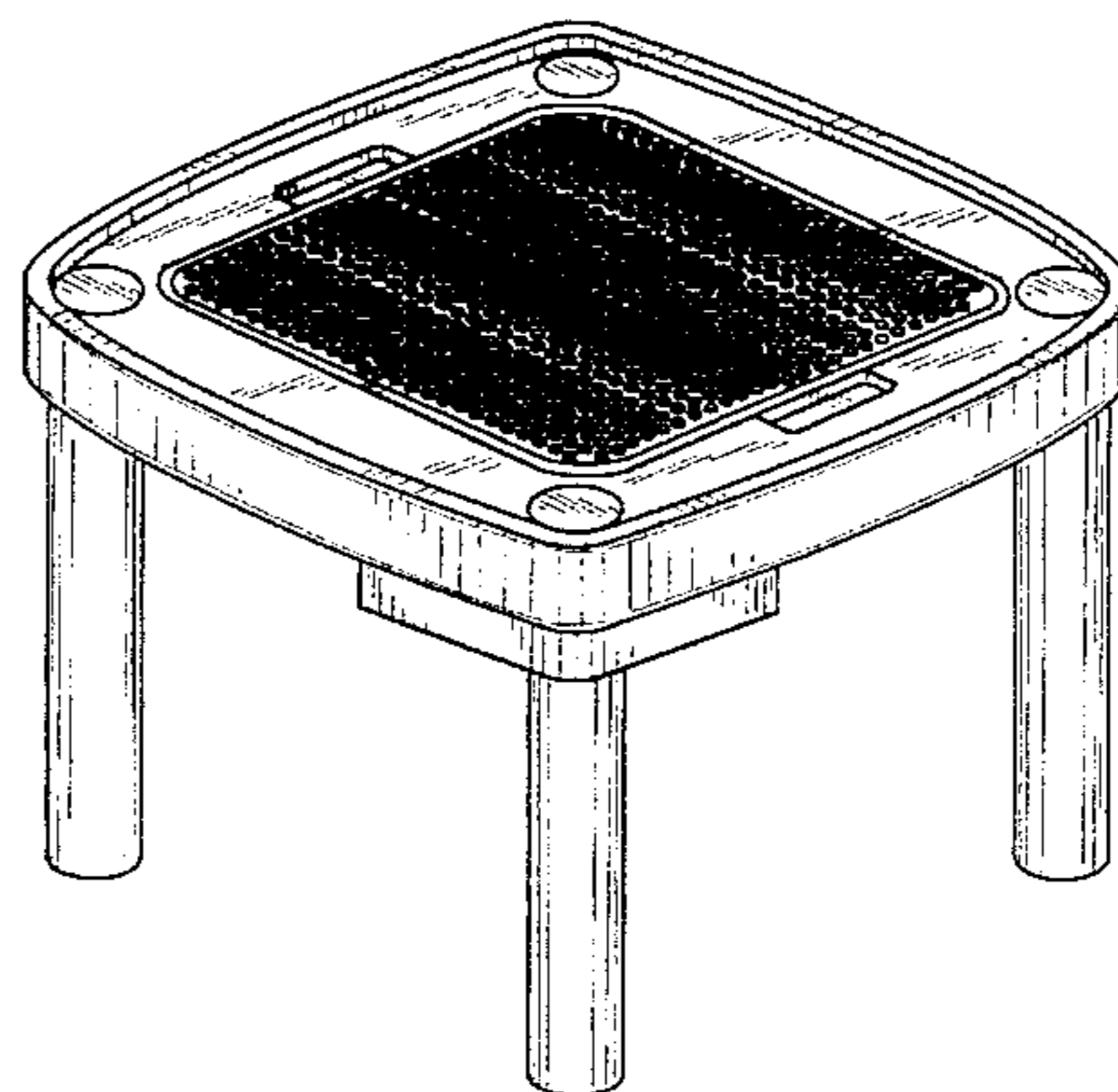
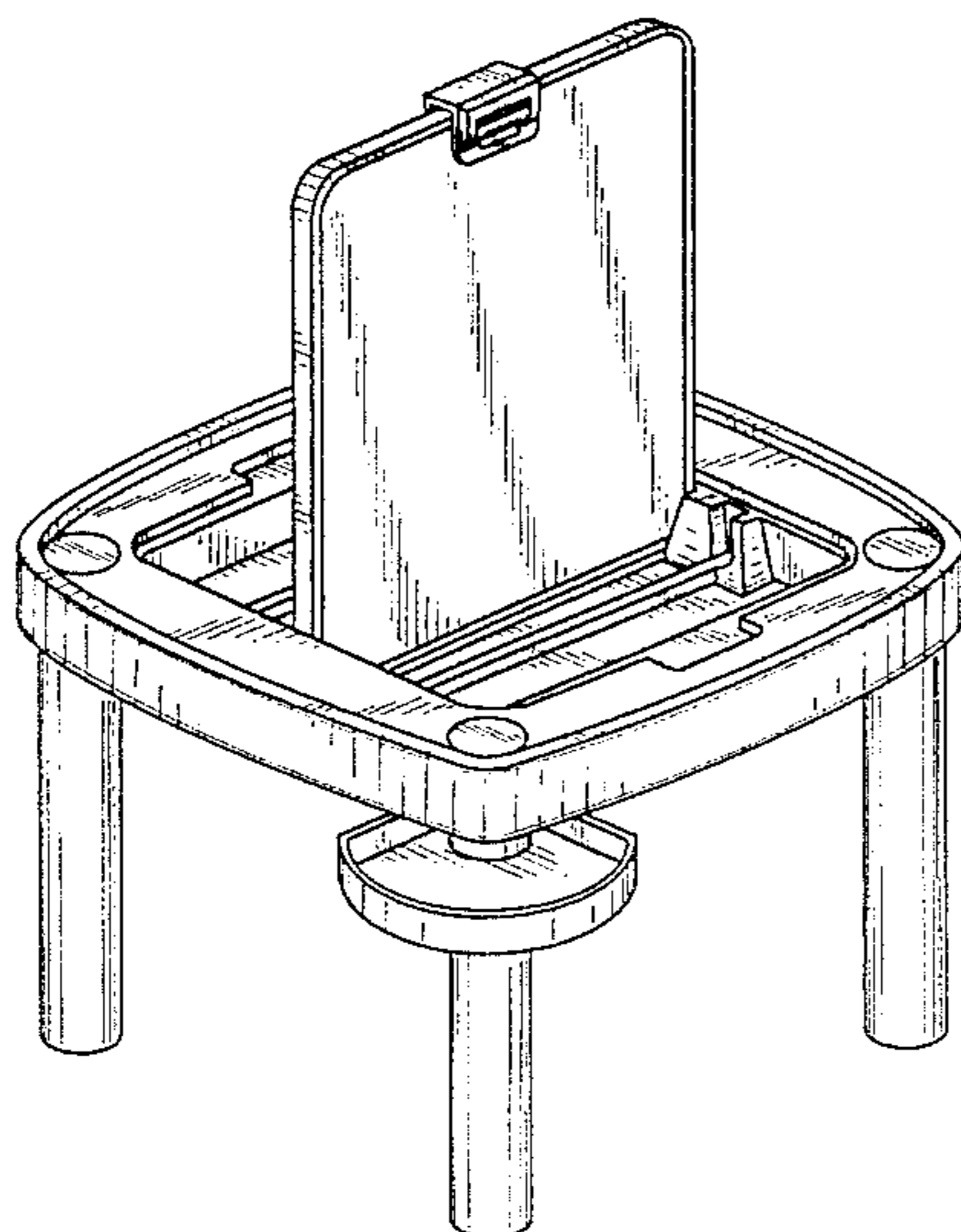
FIG. 12 is a right side elevational view of the multipurpose table of FIGS. 9-11;

FIG. 13 is a rear elevational view of the multipurpose table of FIGS. 9-12;

FIG. 14 is a left side elevational view of the multipurpose table of FIGS. 9-13; and,

FIG. 15 is a bottom view of the multipurpose table of FIGS. 9-14.

**1 Claim, 15 Drawing Sheets**



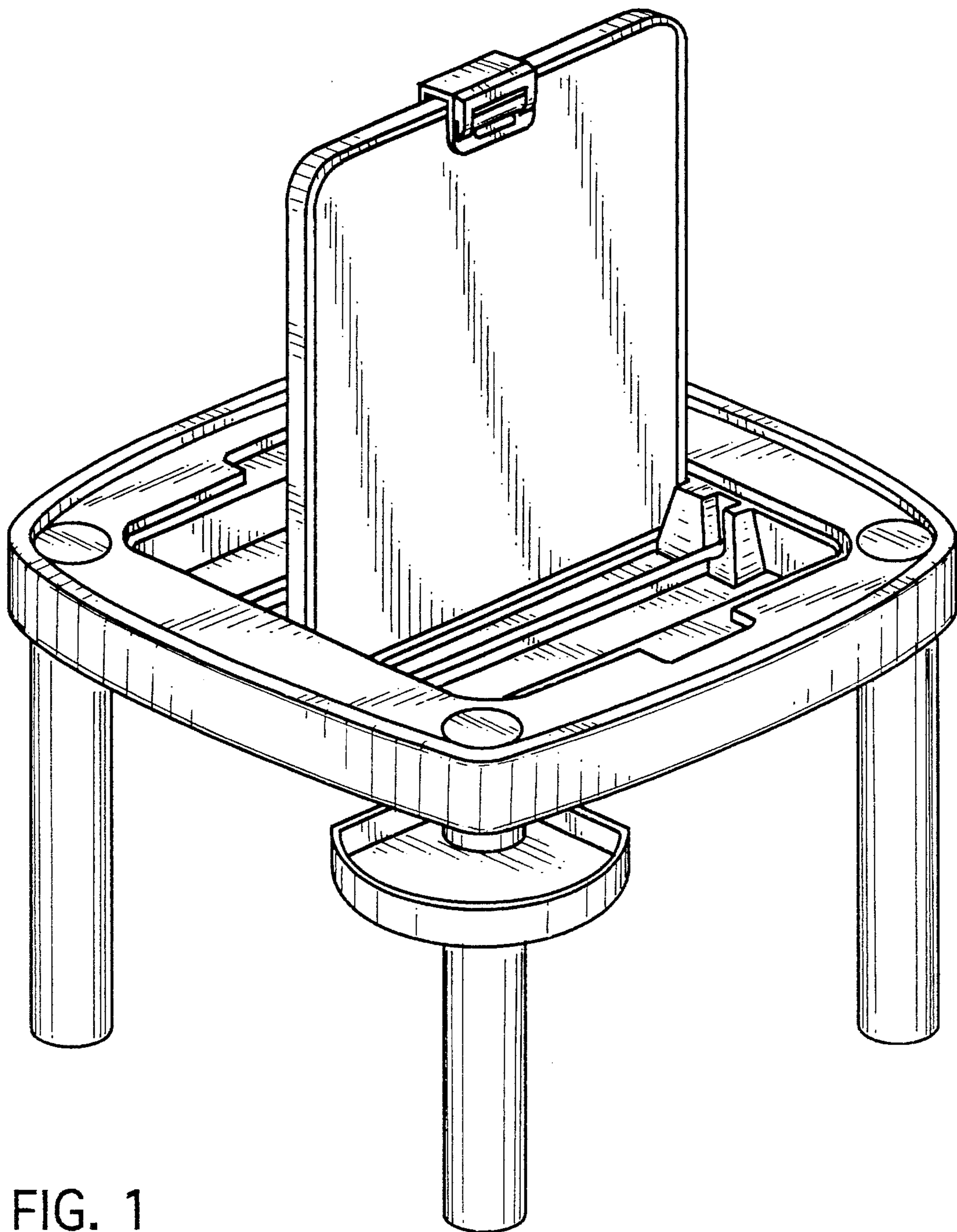


FIG. 1

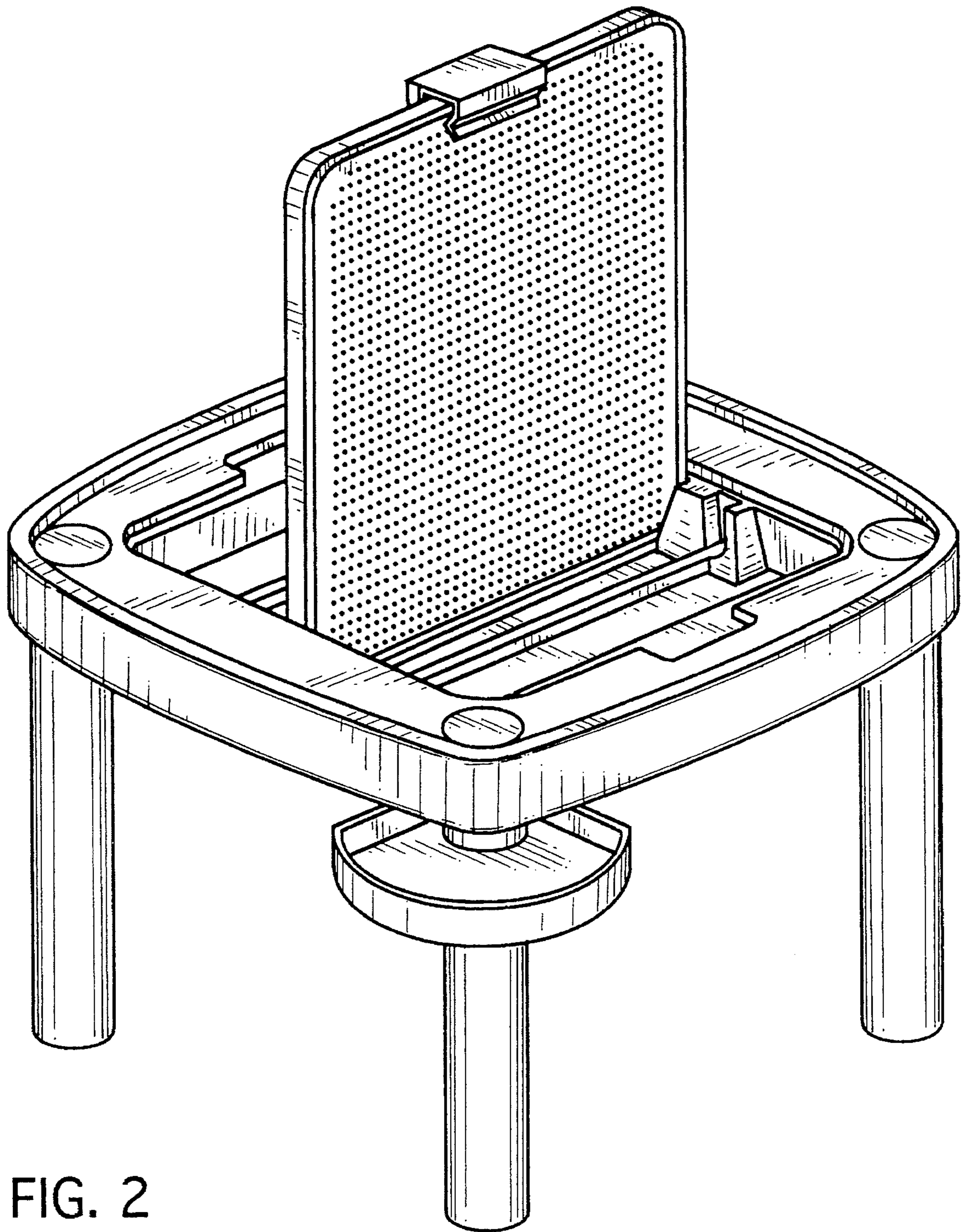


FIG. 2

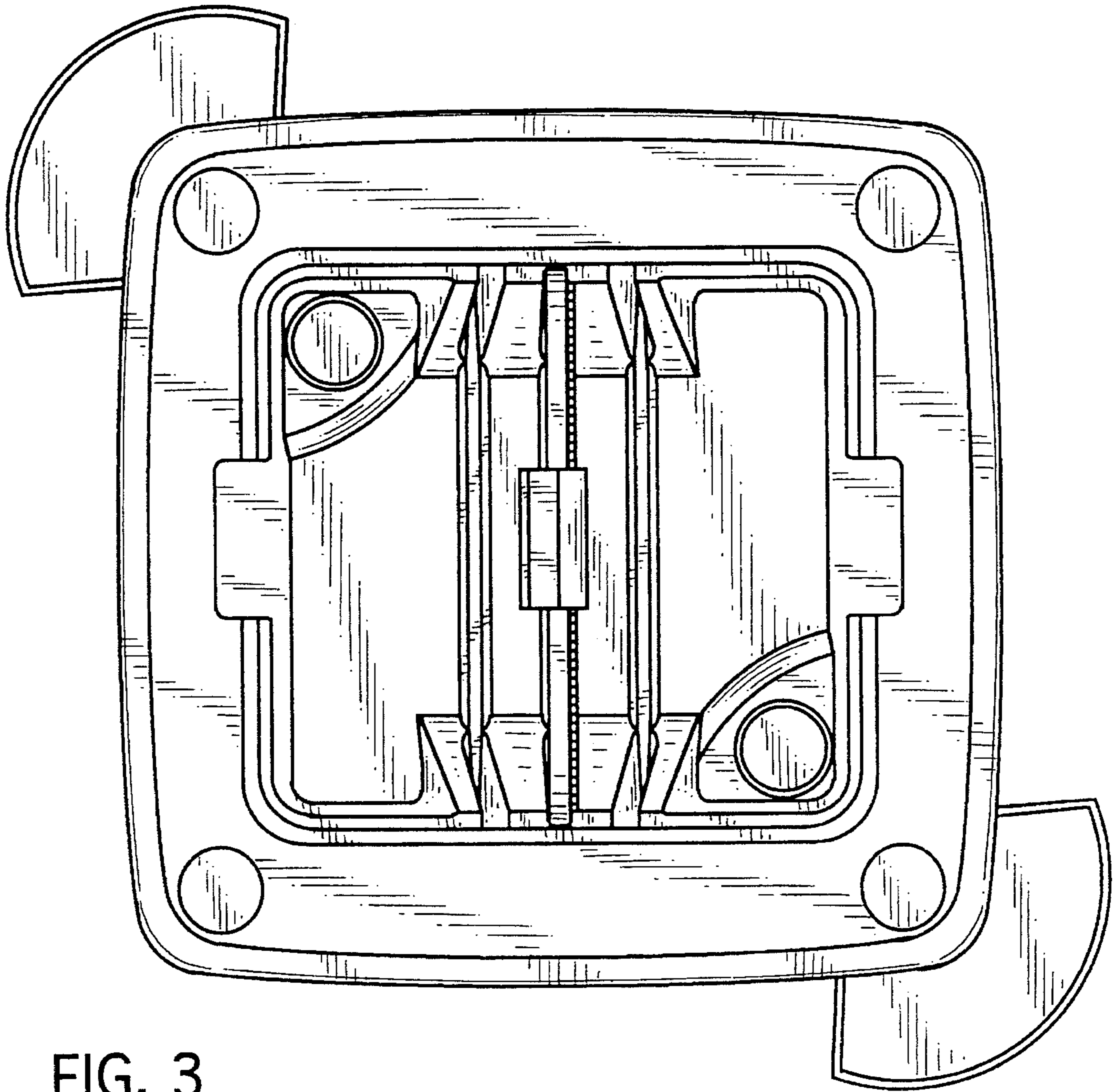


FIG. 3

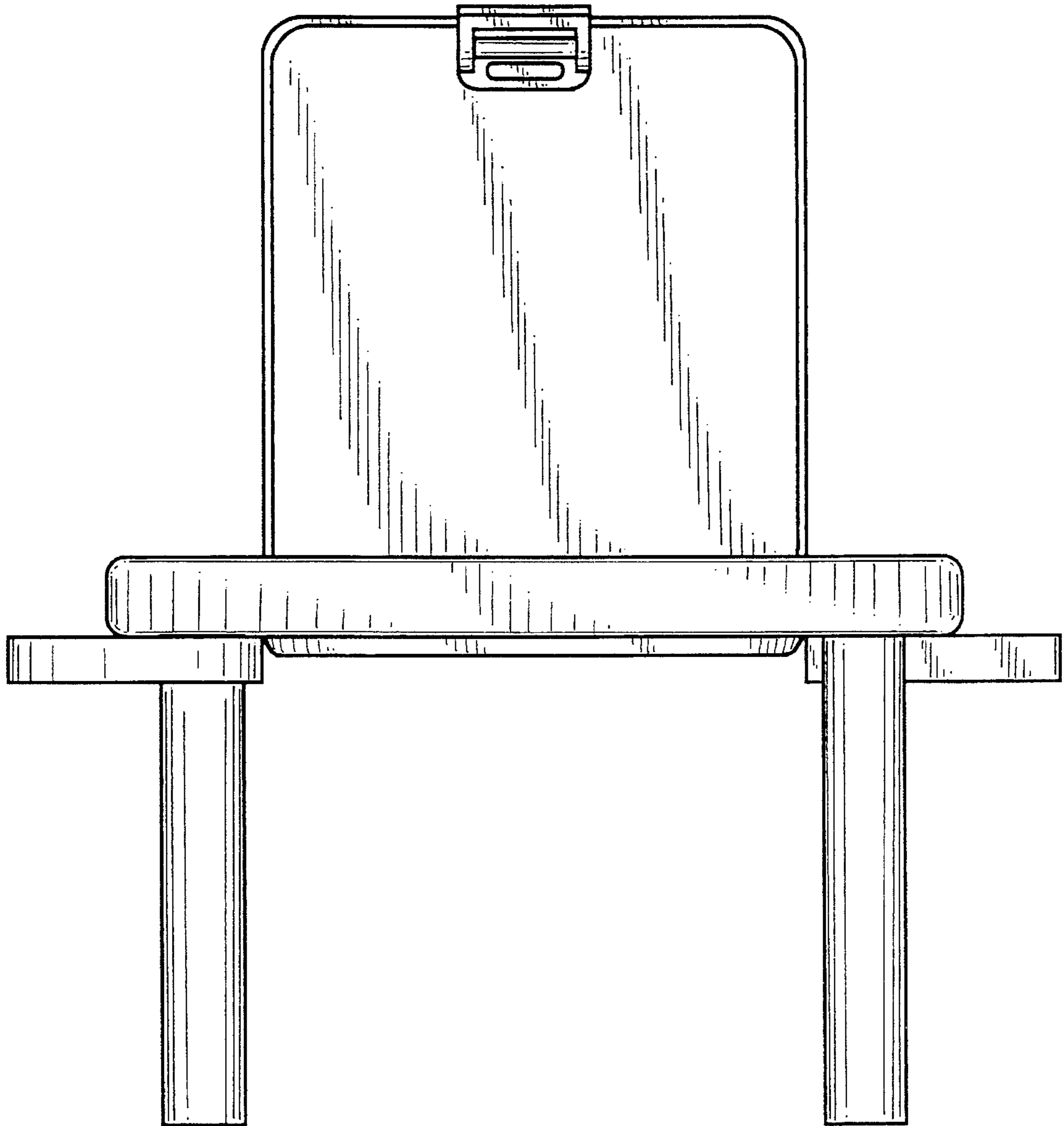


FIG. 4

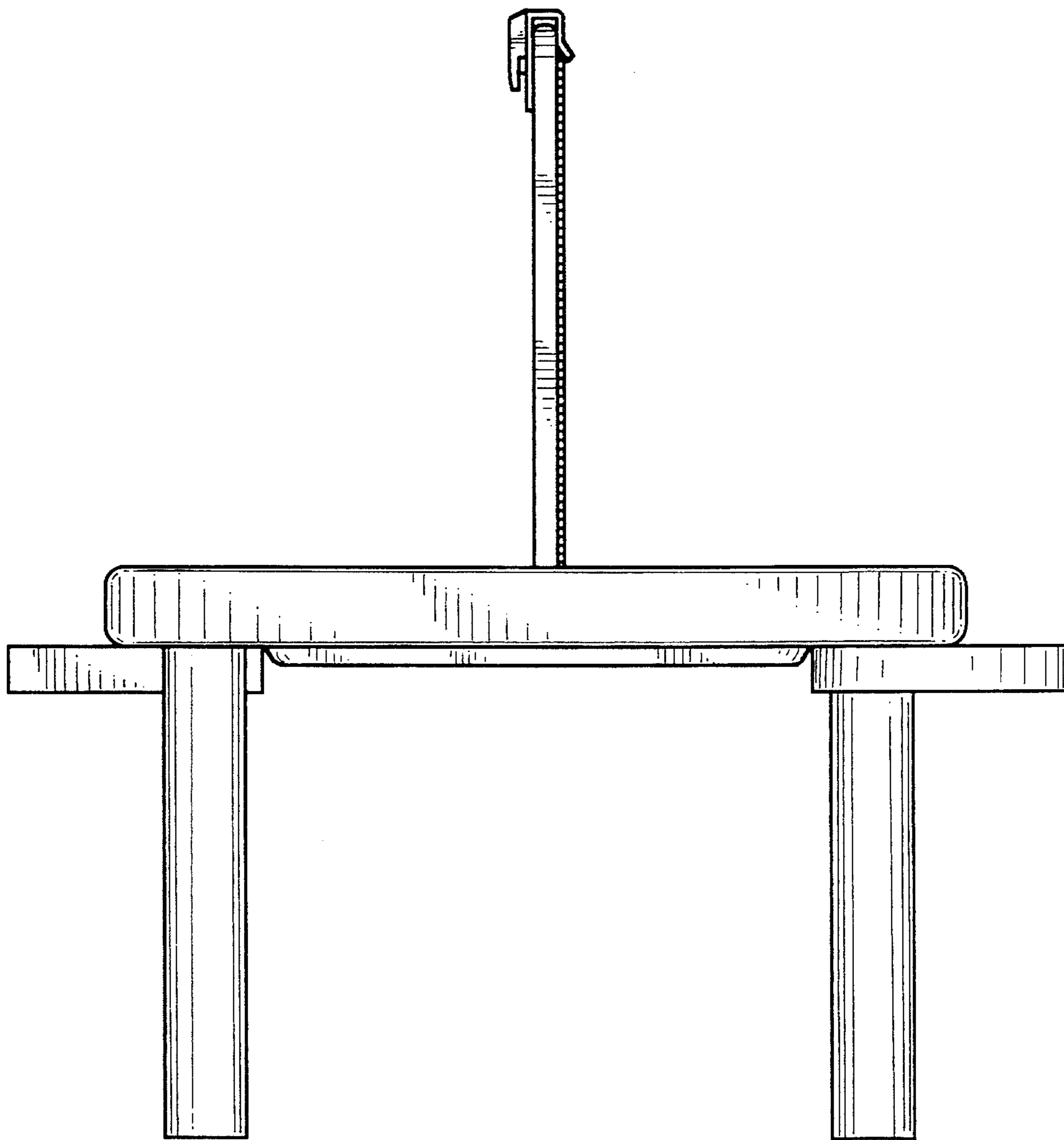


FIG. 5

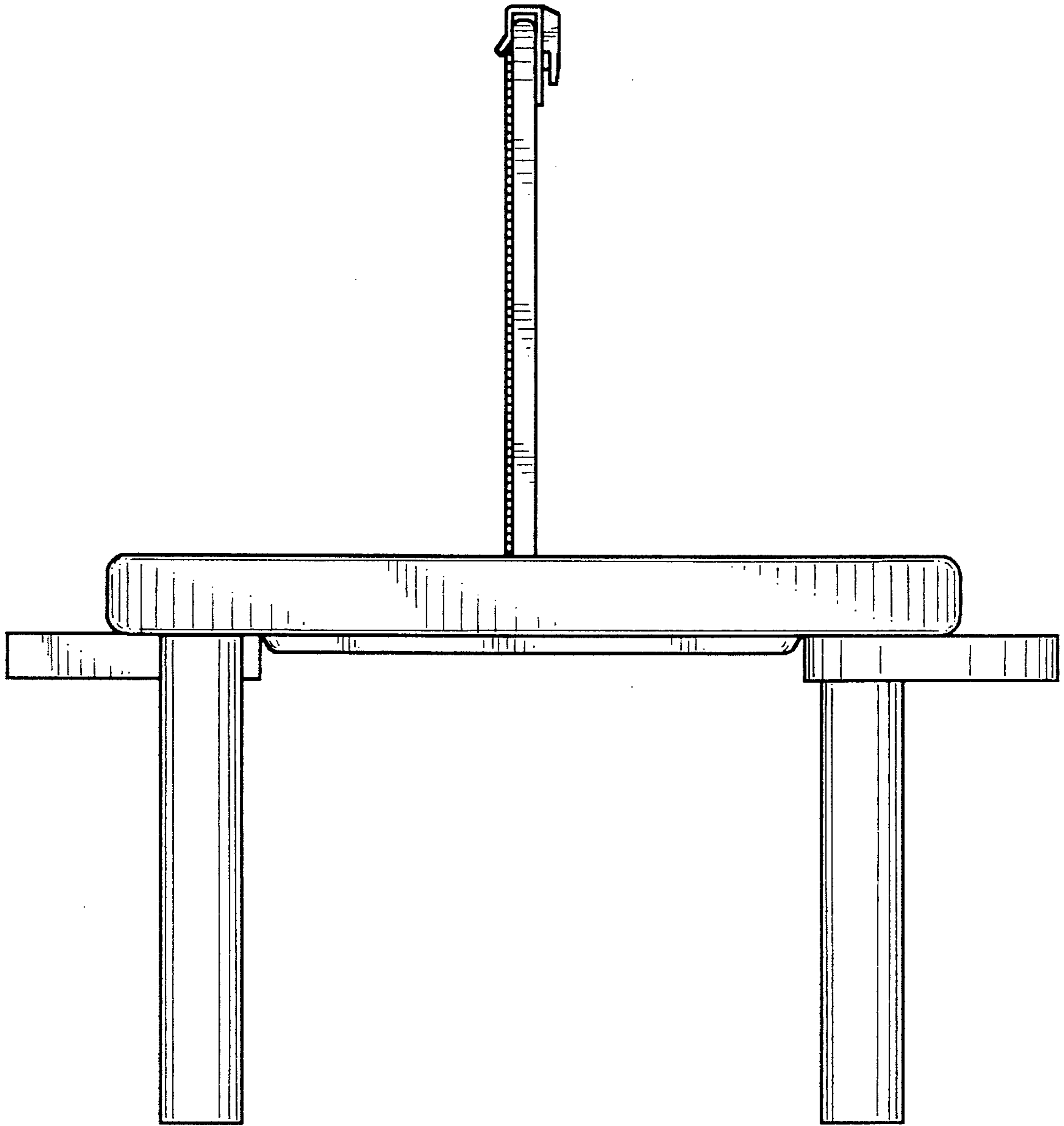


FIG. 6

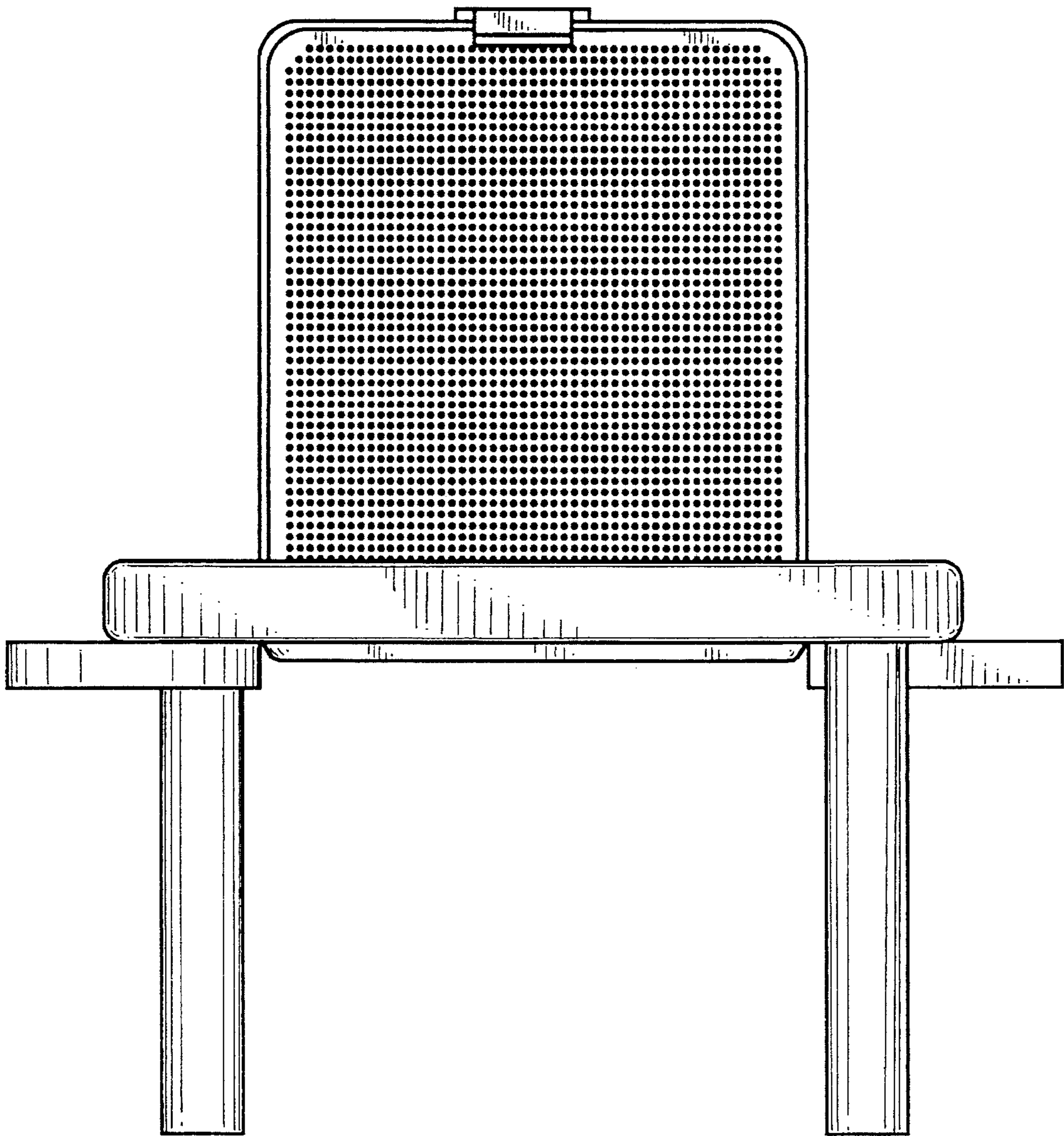


FIG. 7



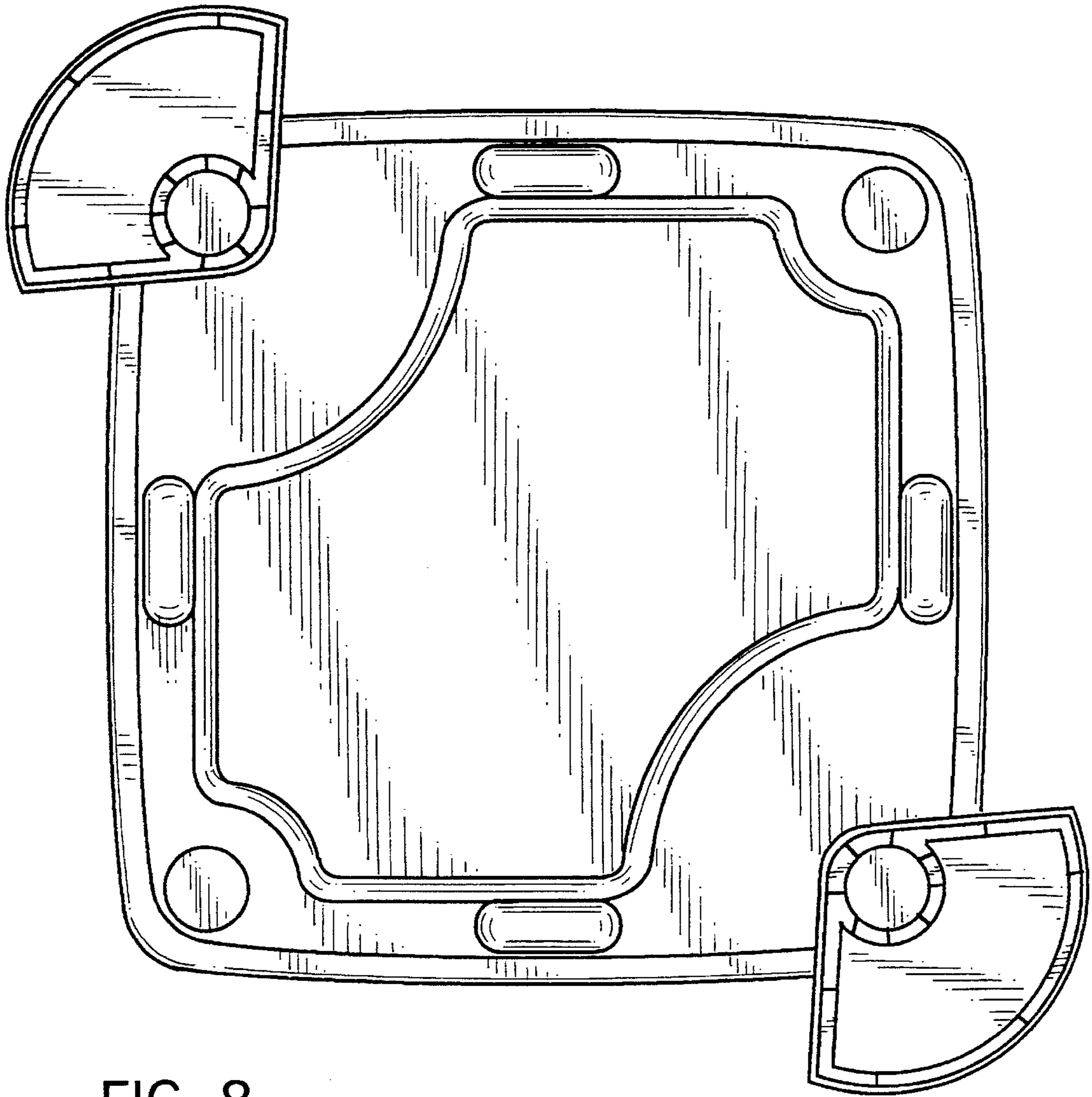


FIG. 8

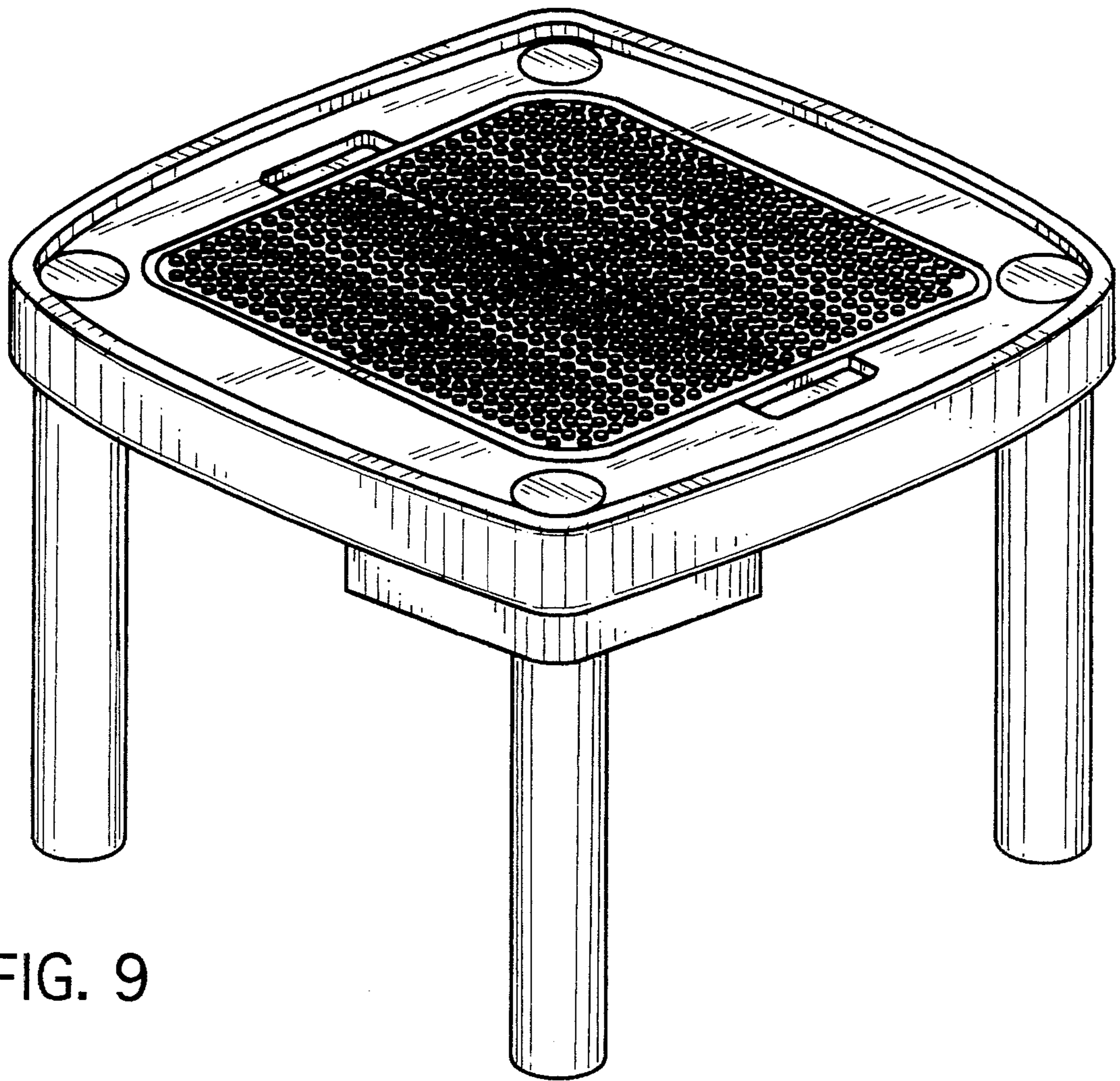


FIG. 9

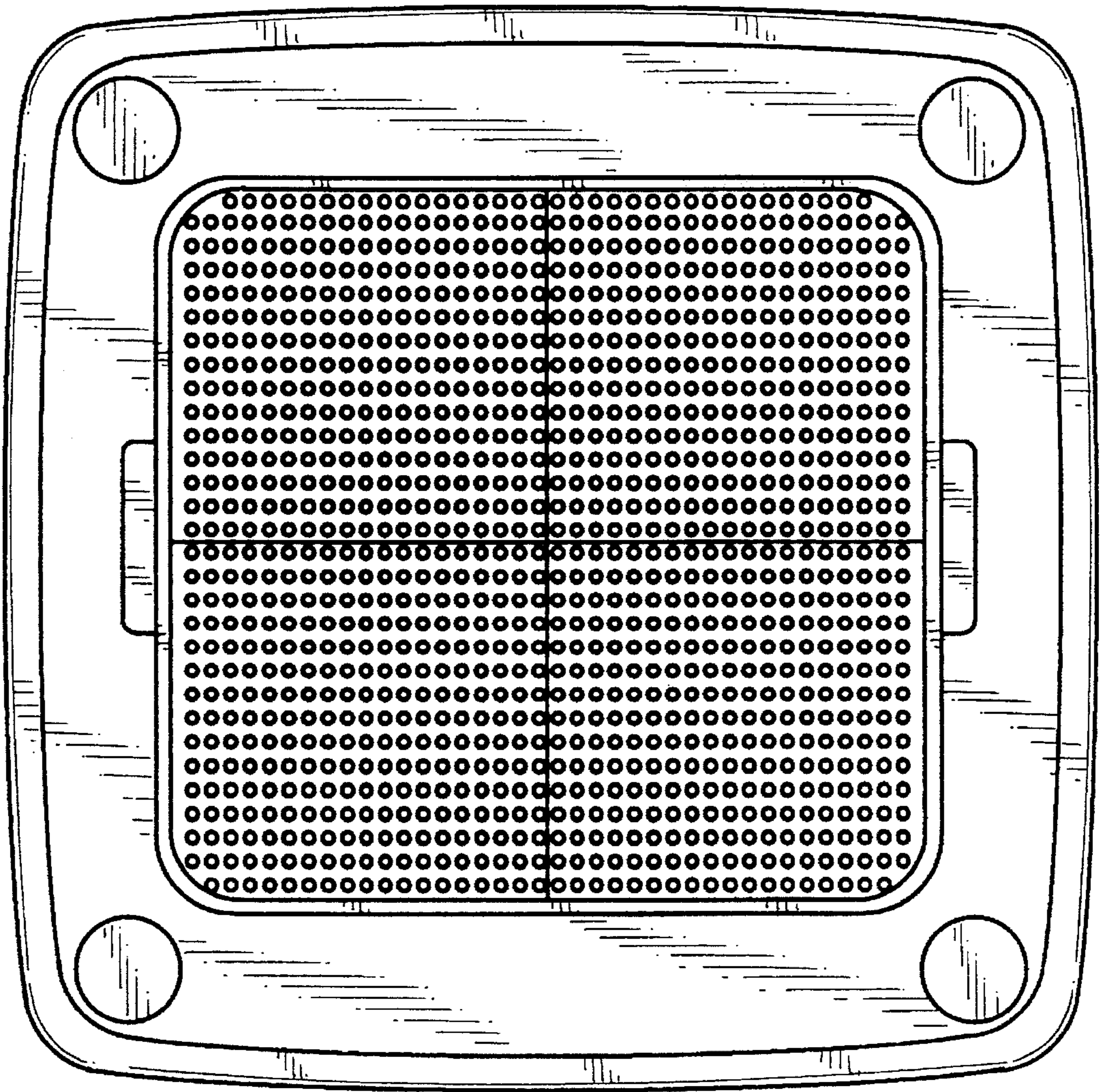


FIG. 10

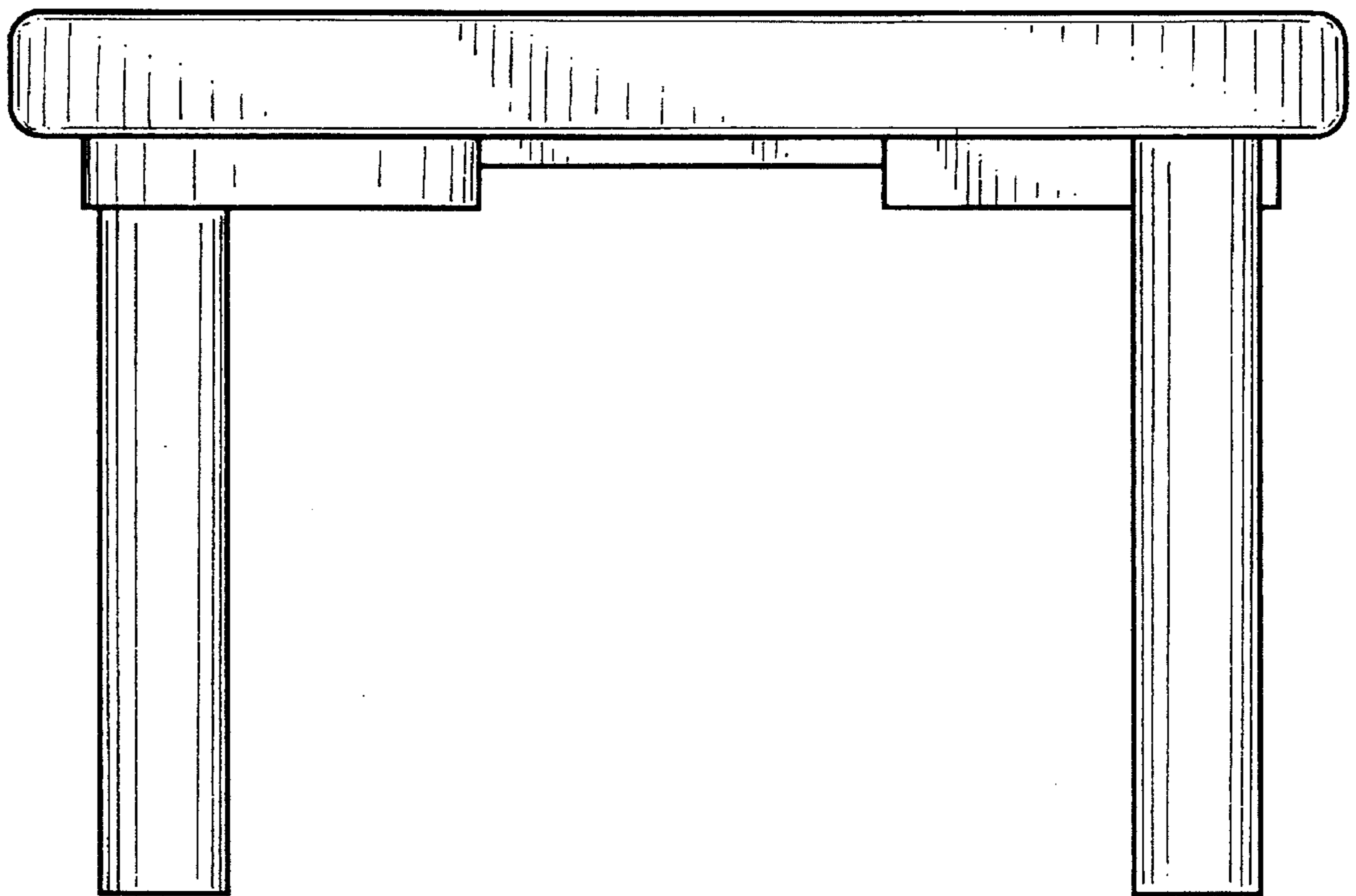


FIG. 11

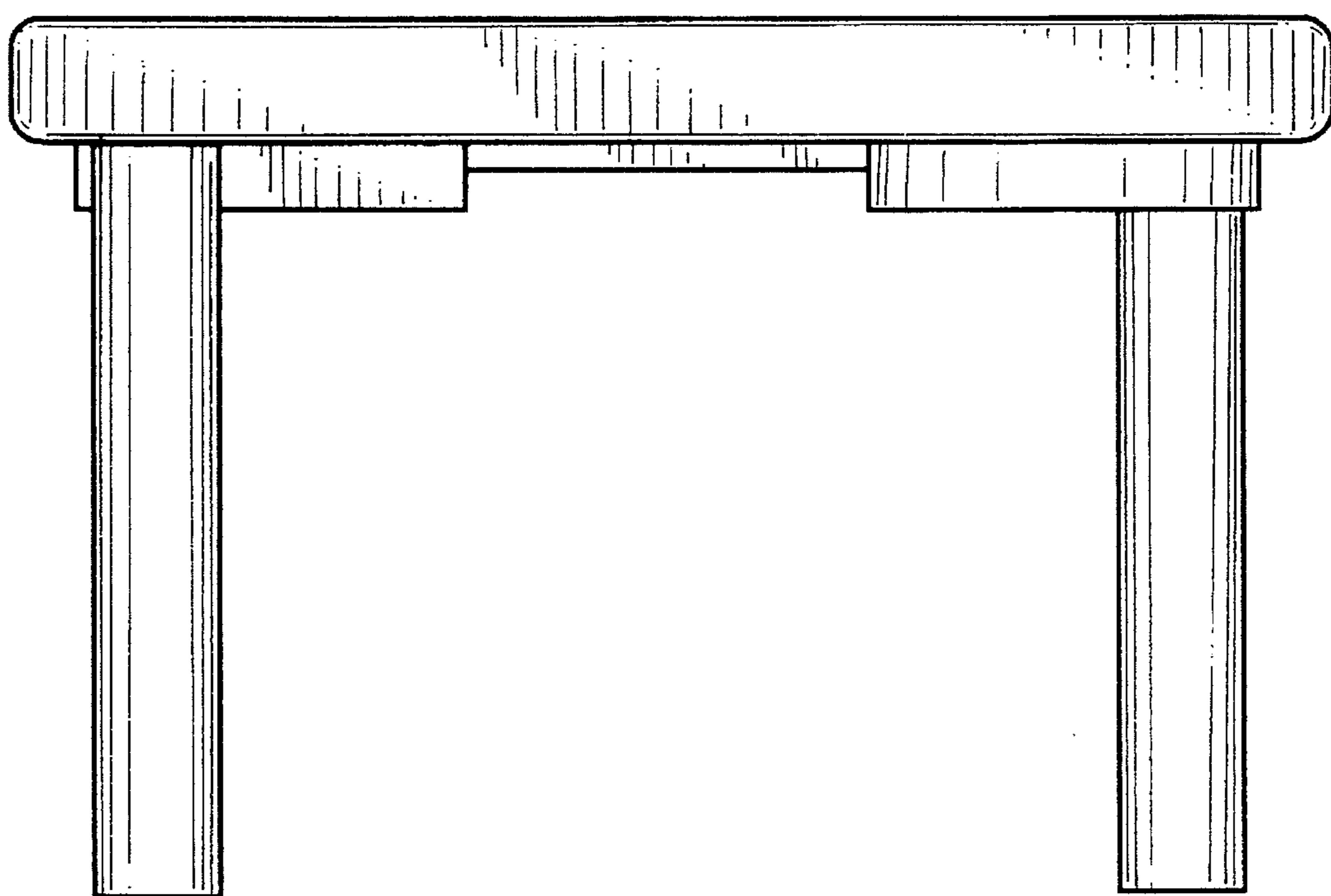


FIG. 12

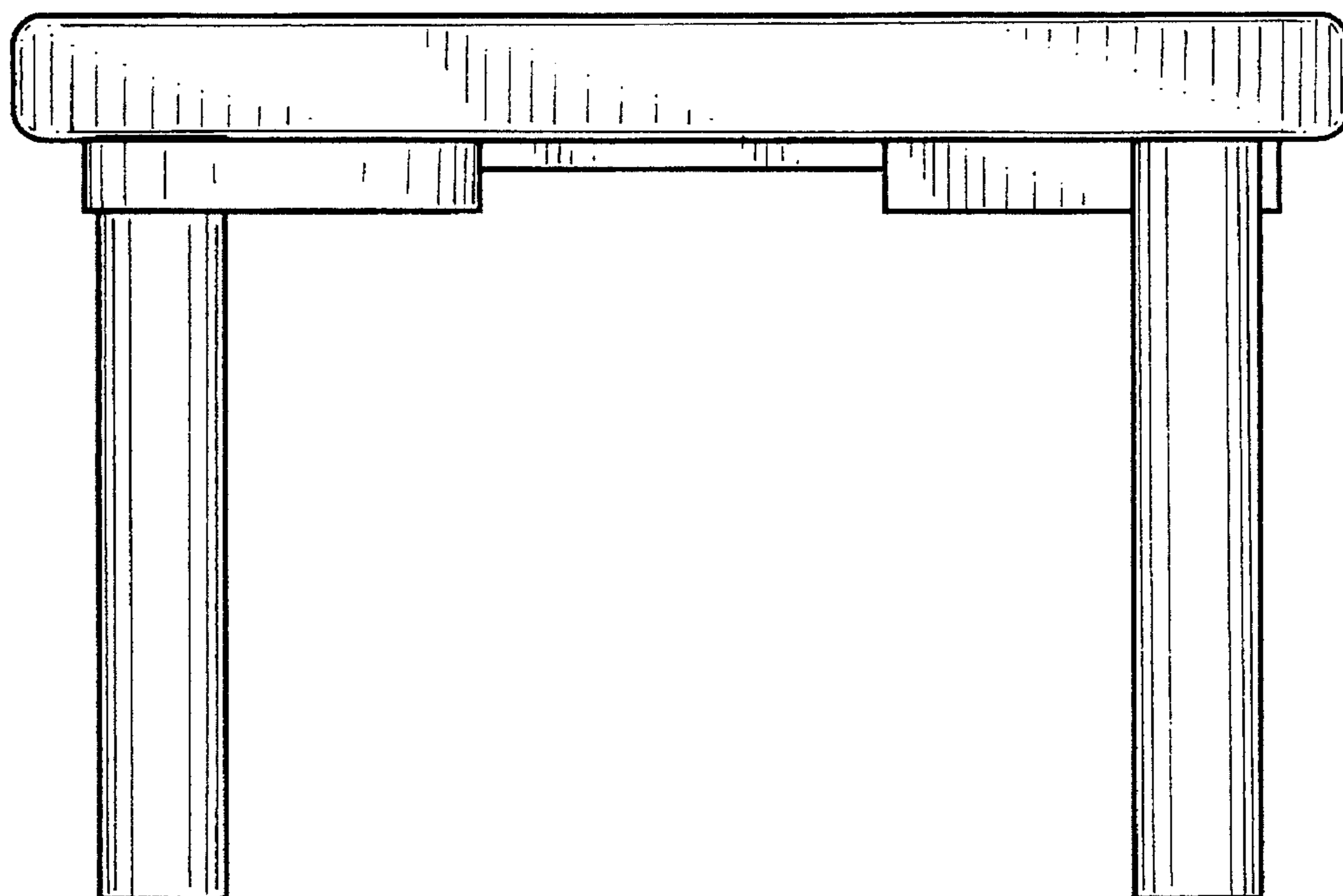


FIG. 13

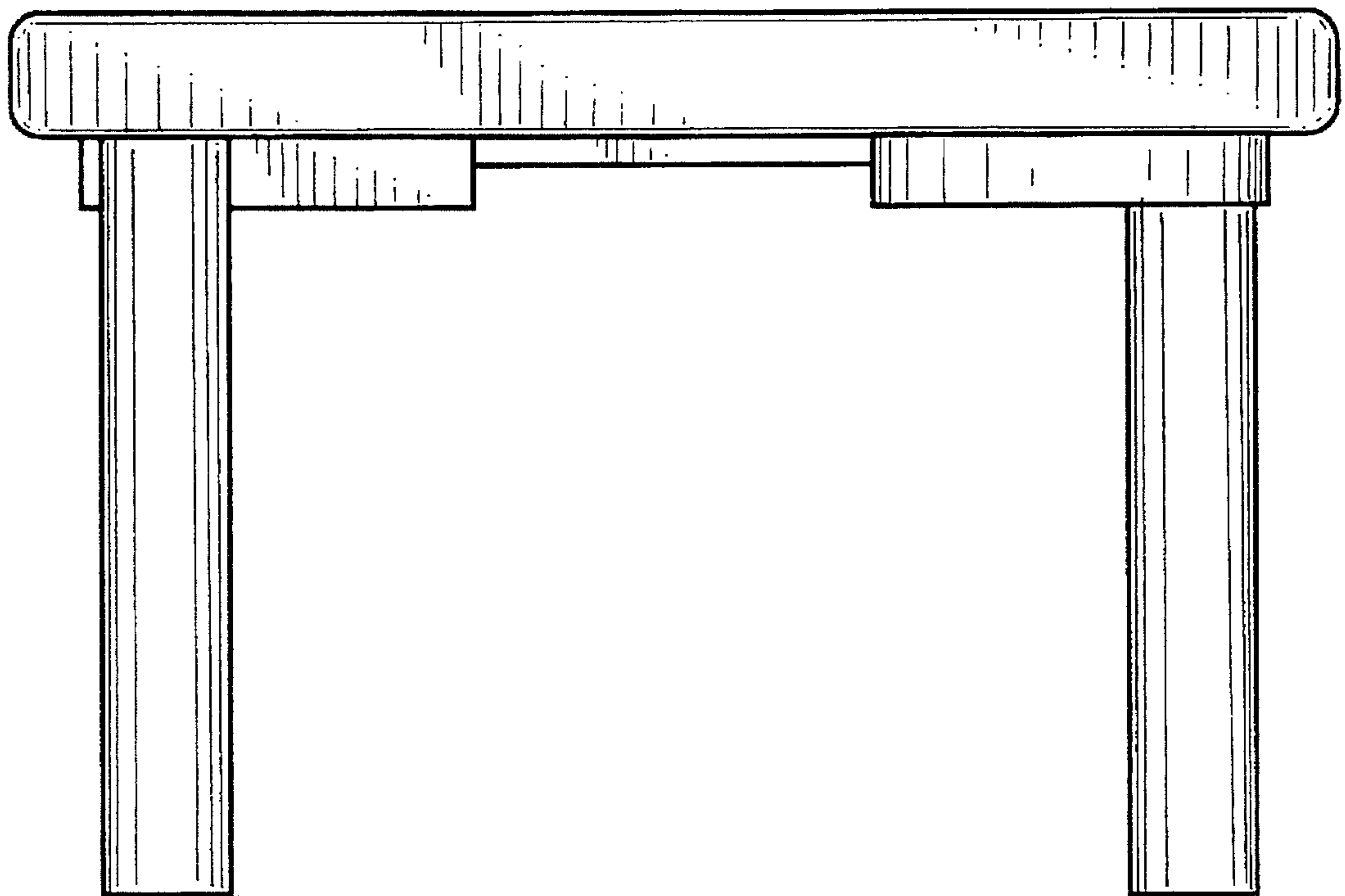


FIG. 14

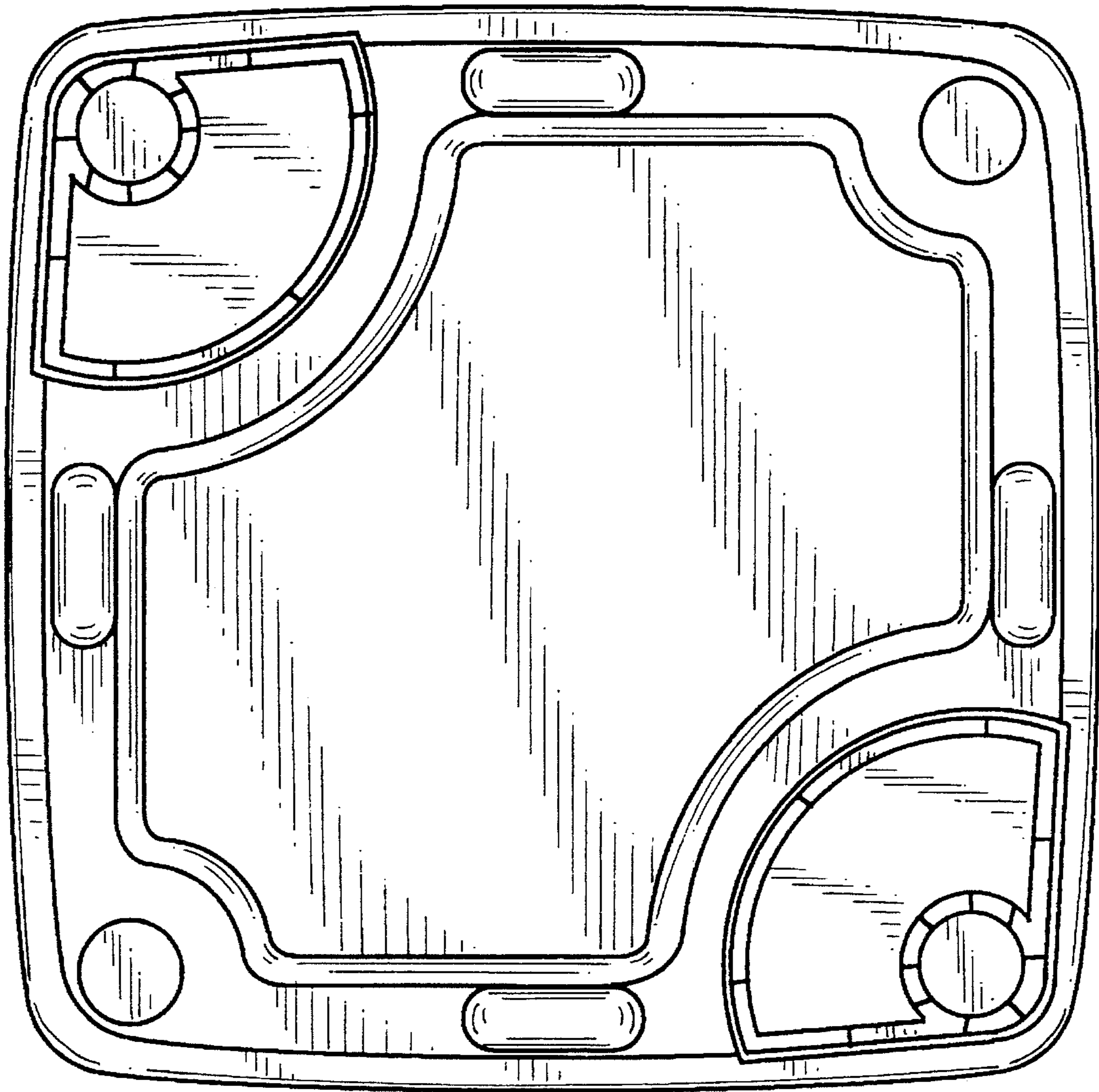


FIG. 15