



US00D368186S

# United States Patent [19] Tiemann

[11] Patent Number: **Des. 368,186**

[45] Date of Patent: **\*\*Mar. 26, 1996**

[54] **THREE TIER COOLING RACK**  
[75] Inventor: **Frank Tiemann, Braham, Minn.**

3,680,712 8/1972 Jurasek ..... 211/181  
4,595,101 6/1986 Rivera ..... 211/13  
5,415,302 5/1995 Carlson et al. .... 211/181 X

[73] Assignee: **T & L Nifty Products, Inc.,  
Cambridge, Minn.**

### OTHER PUBLICATIONS

William Sonoma Catalog, Jan. 1989, Item A, p. 58.

[\*\*] Term: **14 Years**

*Primary Examiner*—Jeffrey Asch  
*Attorney, Agent, or Firm*—J. R. Cwayna

[21] Appl. No.: **34,895**

### [57] CLAIM

[22] Filed: **Feb. 10, 1995**

The ornamental design for a three tier cooling rack, as shown and described.

[52] U.S. Cl. .... **D6/465; D6/429; D32/59**

[58] Field of Search ..... D6/462-465, 408,  
D6/467, 468, 479, 473, 474, 458, 429;  
211/133, 181, 126, 189, 186, 13; D7/409,  
388

### DESCRIPTION

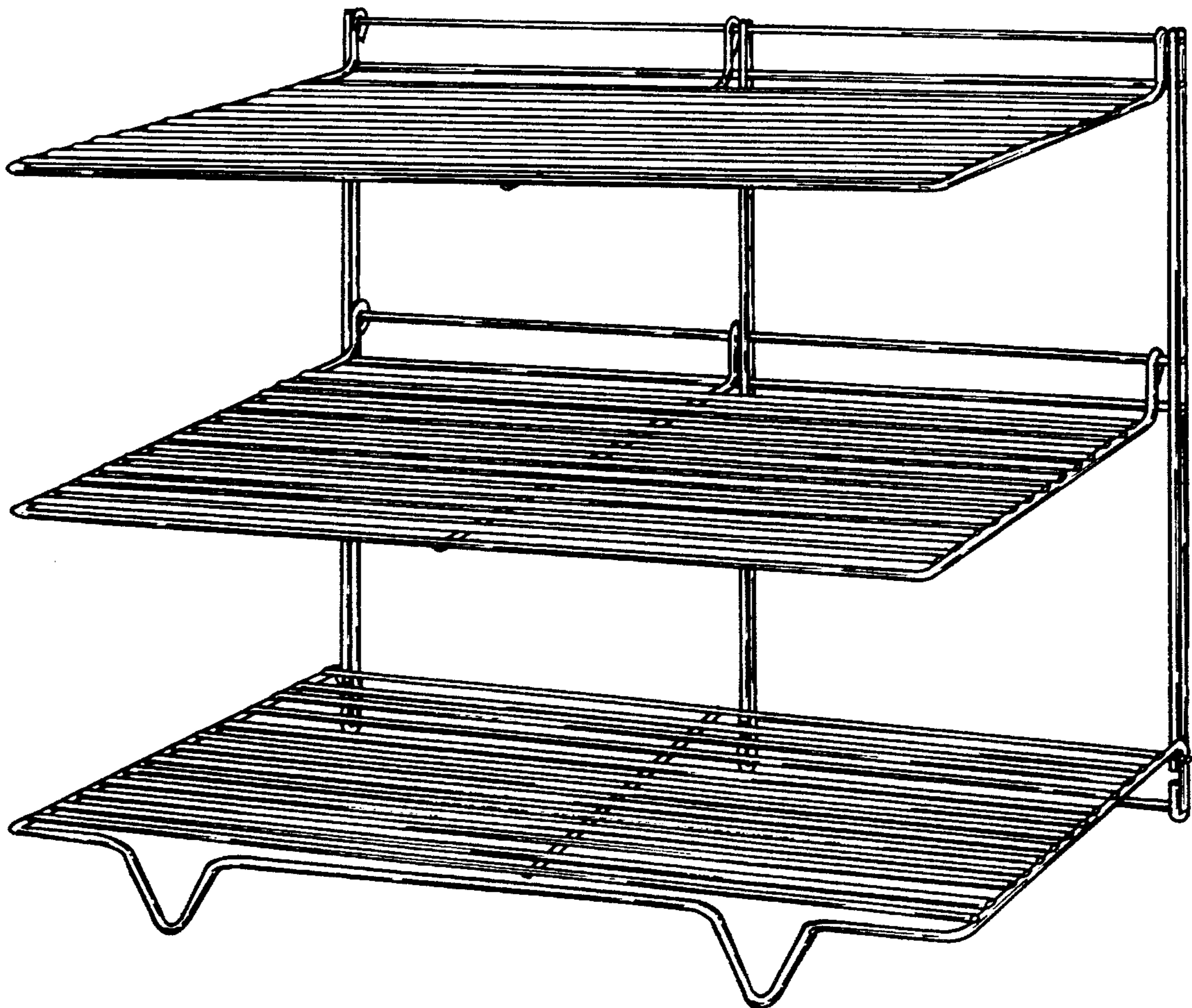
### [56] References Cited

#### U.S. PATENT DOCUMENTS

D. 30,424	3/1899	Bryant	.....	D32/55
D. 104,568	5/1937	Griffin	.....	D6/464
D. 214,603	7/1969	Cohen	.....	D6/465
D. 278,196	4/1985	Koves	.....	D6/465
D. 292,658	11/1987	Kester	.....	D6/465
D. 319,356	8/1991	Vukelich, Sr.	.....	D6/464 X
D. 321,609	11/1991	Dardashti	.....	D6/463 X
3,487,951	1/1970	Beltzung	.....	211/133

FIG. 1 is a front perspective view of a three tier cooling rack showing my new design;  
FIG. 2 is a front view of the three tier cooling rack;  
FIG. 3 is a view of one side of the three tier cooling rack, the opposite side being a mirror image thereof;  
FIG. 4 is a view from the side of FIG. 3, illustrating the folding of the unit the arrows showing the direction in which each tier is folded; and,  
FIG. 5 is a view similar to FIG. 4 illustrating the unit in folded position.

1 Claim, 4 Drawing Sheets



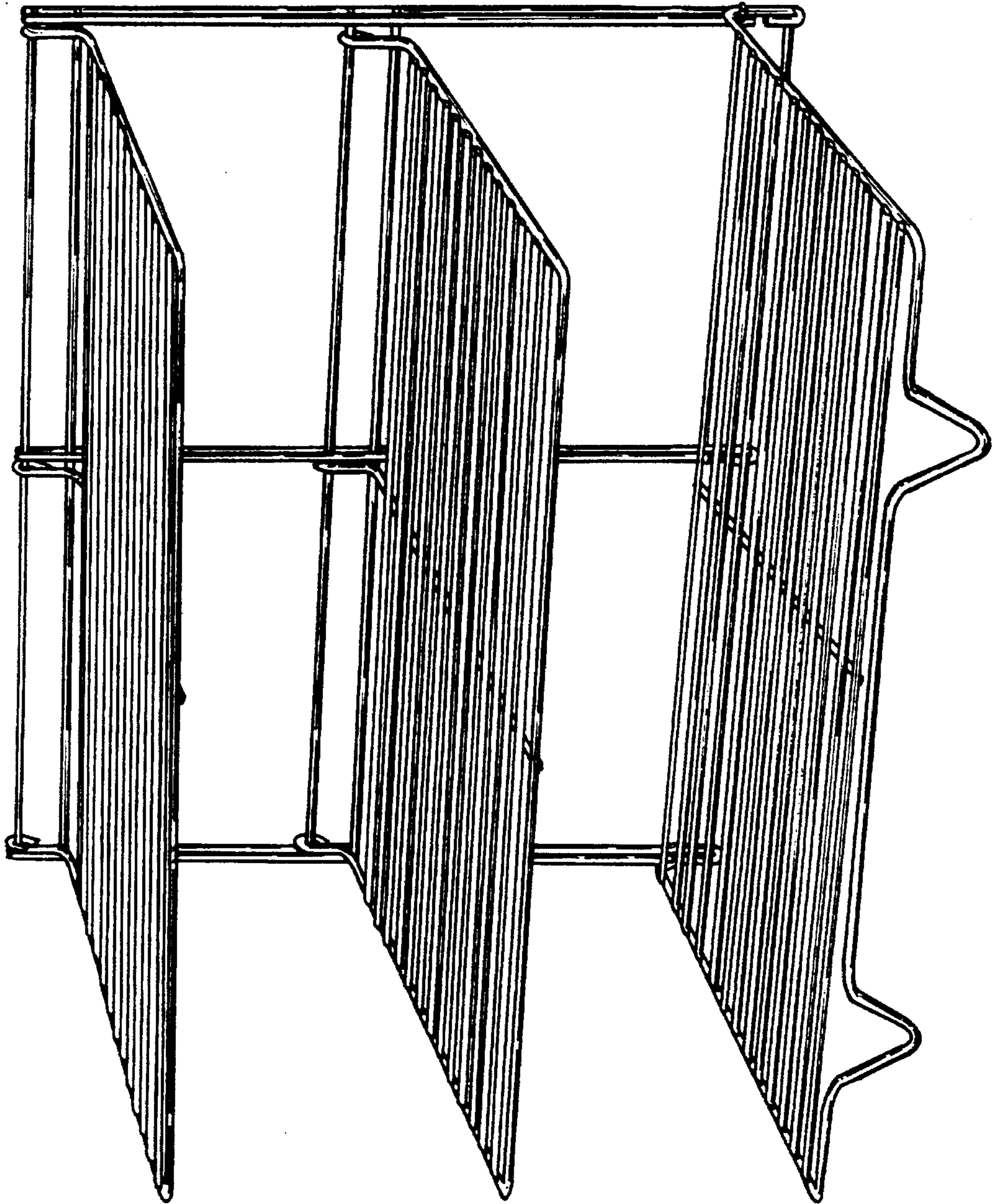


FIG. 1

FIG. 2

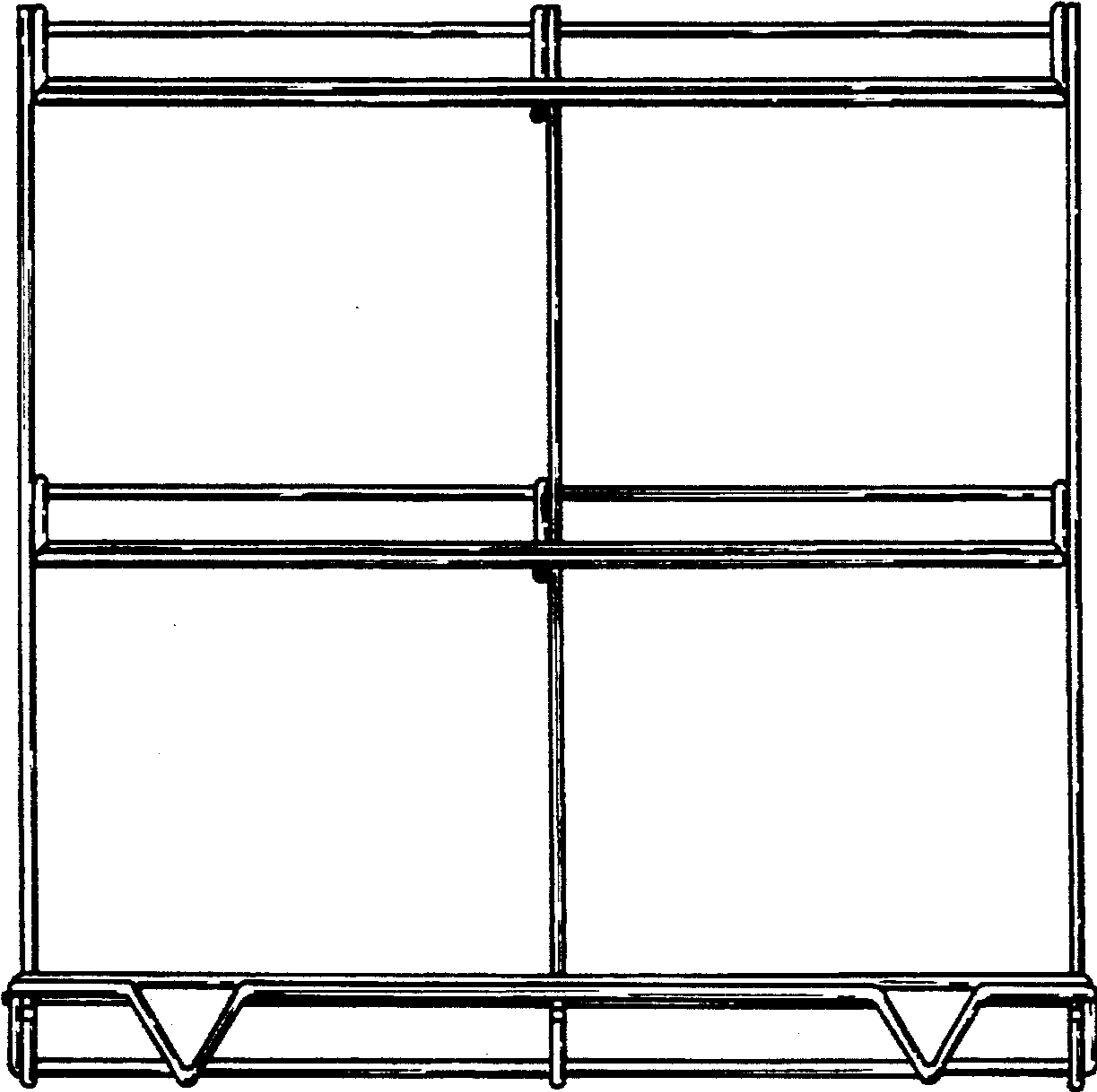
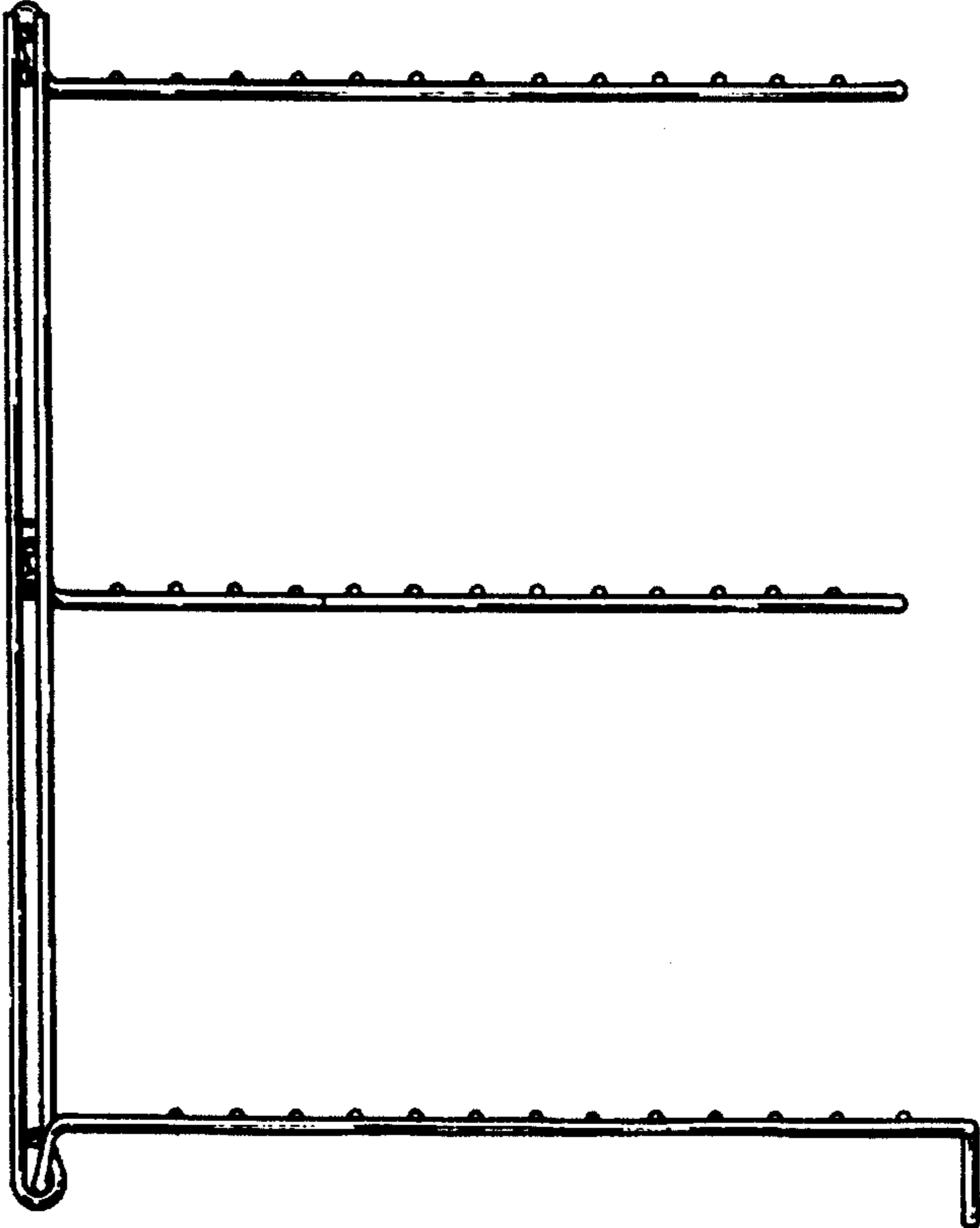
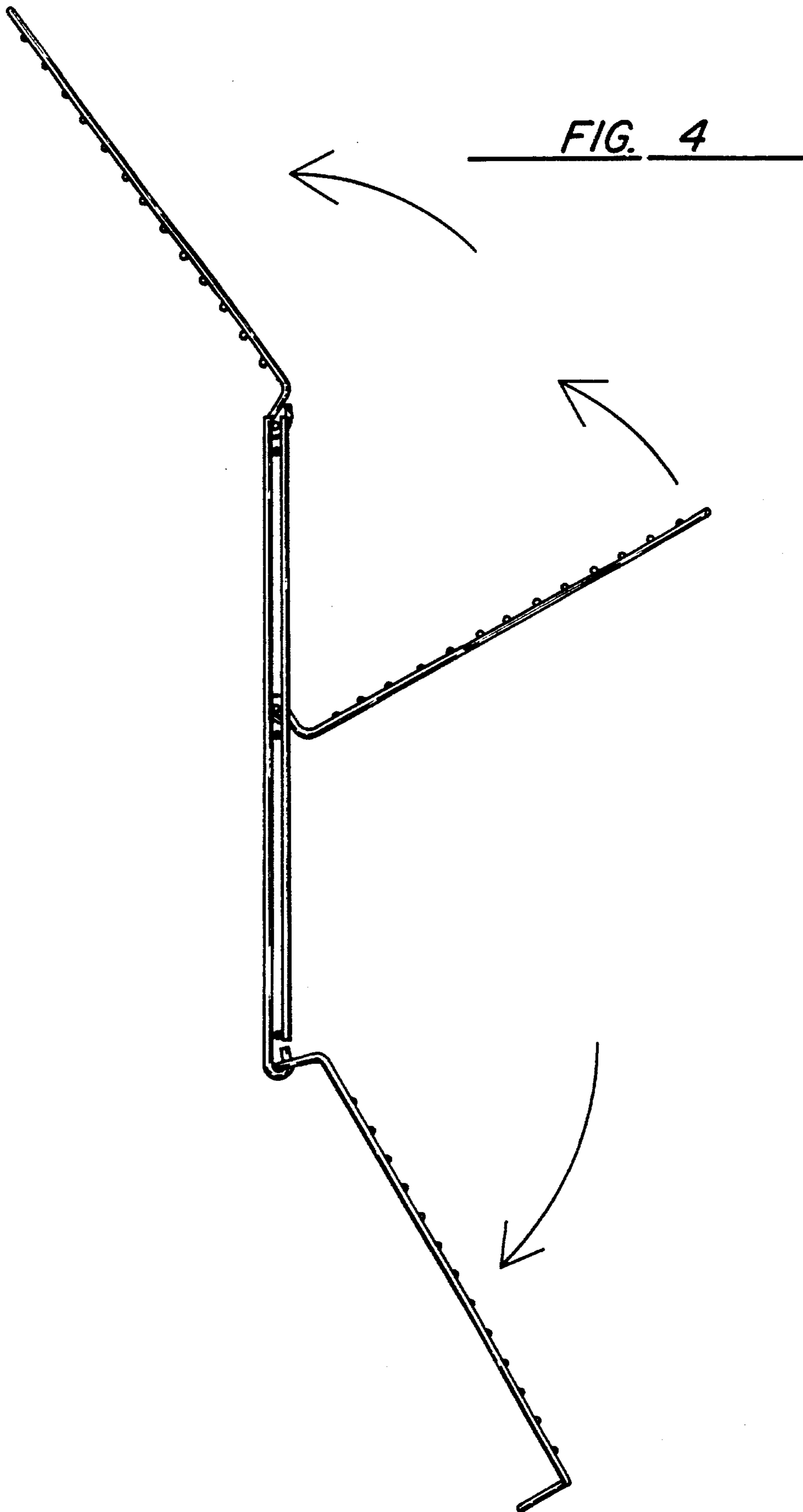


FIG. 3







*FIG. 5*

---

