



US00D368175S

# United States Patent [19] Wang

[11] **Patent Number:** **Des. 368,175**  
[45] **Date of Patent:** **\*\*Mar. 26, 1996**

[54] **CHAIR**

D. 358,267 5/1995 Ginat ..... D6/379

[75] **Inventor:** **Wei-Kuan Wang**, Taipei Hsien, Taiwan

### OTHER PUBLICATIONS

[73] **Assignee:** **SEDA Chemical Products Co., Ltd.**,  
Taipei Hsien, Taiwan

Design Institute America, Ellipse Chair at bottom left.  
Lowenstein Catalist 14, Jun. 1, 1985, p. 18, Chair #750  
center page.

[\*\*] **Term:** **14 Years**

Bogesunds publication, Medusa Chair at left center.

[21] **Appl. No.:** **38,373**

*Primary Examiner*—Gary D. Watson

*Attorney, Agent, or Firm*—Jacobson, Price, Holman & Stern

[22] **Filed:** **May 4, 1995**

[52] **U.S. Cl.** ..... **D6/379**

### [57] CLAIM

[58] **Field of Search** ..... D6/334, 374, 375,  
D6/379, 500, 501, 502; 297/446

The ornamental design for a chair, as shown and described.

### DESCRIPTION

### [56] References Cited

FIG. 1 is a front and top perspective view of a chair showing  
my new design;

#### U.S. PATENT DOCUMENTS

D. 115,052	5/1939	Salomon	.....	D6/379
D. 291,632	9/1987	Zola	.....	D6/379
D. 301,946	7/1989	Meyer	.....	D6/379
D. 305,389	1/1990	Bellini	.....	D6/379
D. 308,305	6/1990	Snodgrass	.....	D6/379
D. 312,005	11/1990	Snodgrass	.....	D6/379
D. 331,156	11/1992	Bennett	.....	D6/379
D. 349,822	8/1994	Murry	.....	D6/379

FIG. 2 is a front elevational view thereof;

FIG. 3 is a rear elevational view thereof;

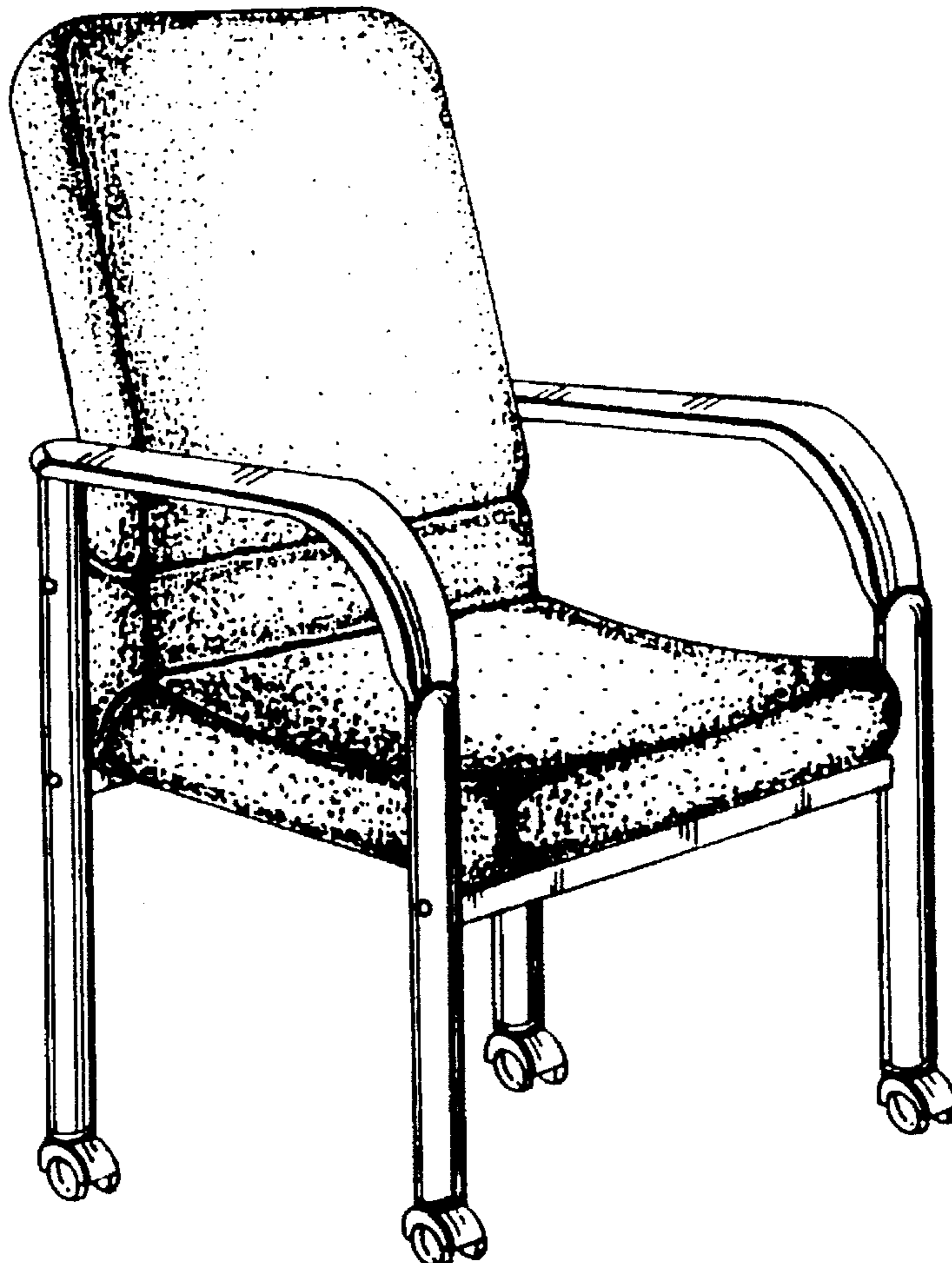
FIG. 4 is a left side elevational view thereof;

FIG. 5 is a right side elevational view thereof;

FIG. 6 is a top plan view thereof; and,

FIG. 7 is a bottom plan view thereof.

**1 Claim, 4 Drawing Sheets**



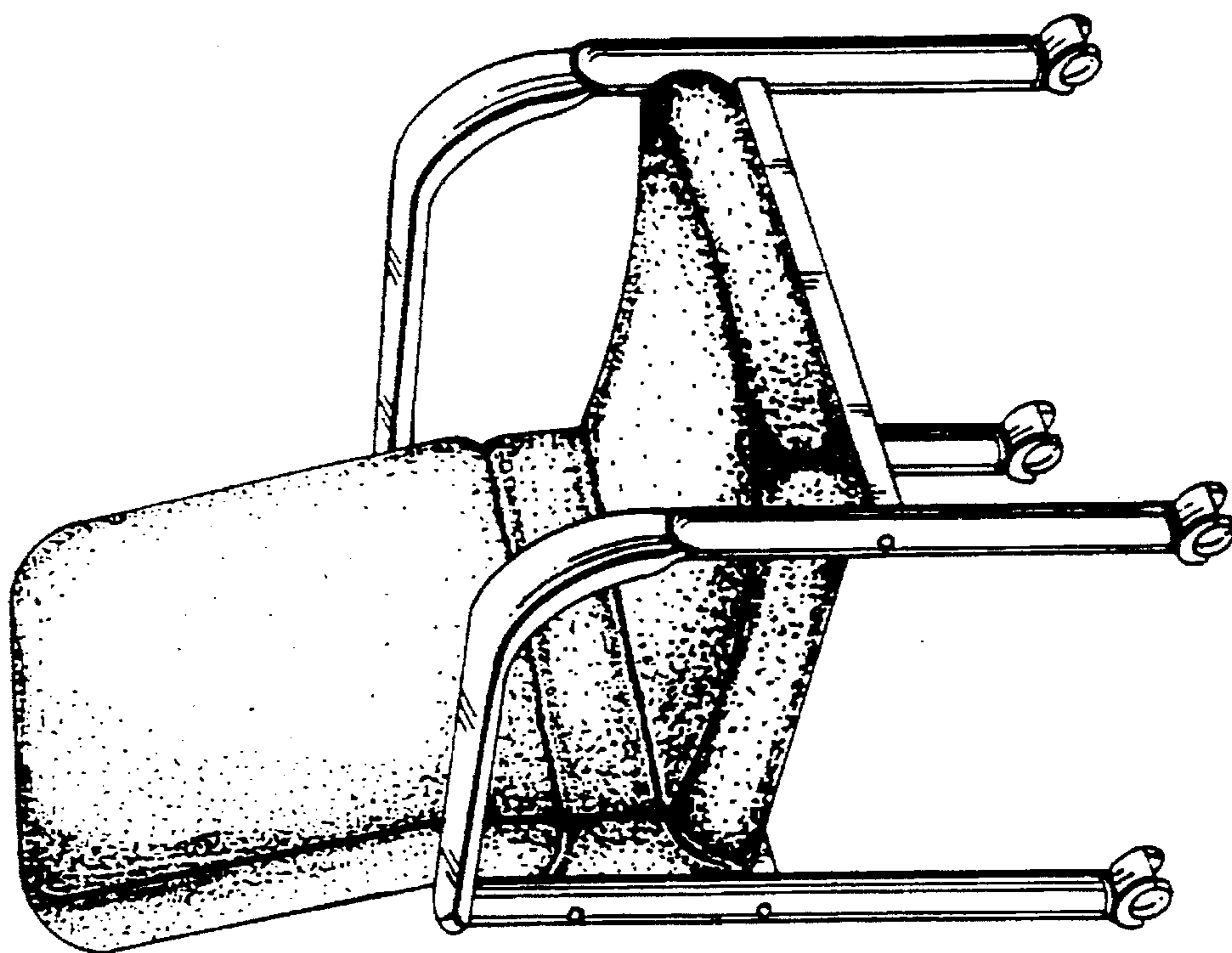


FIG. 1

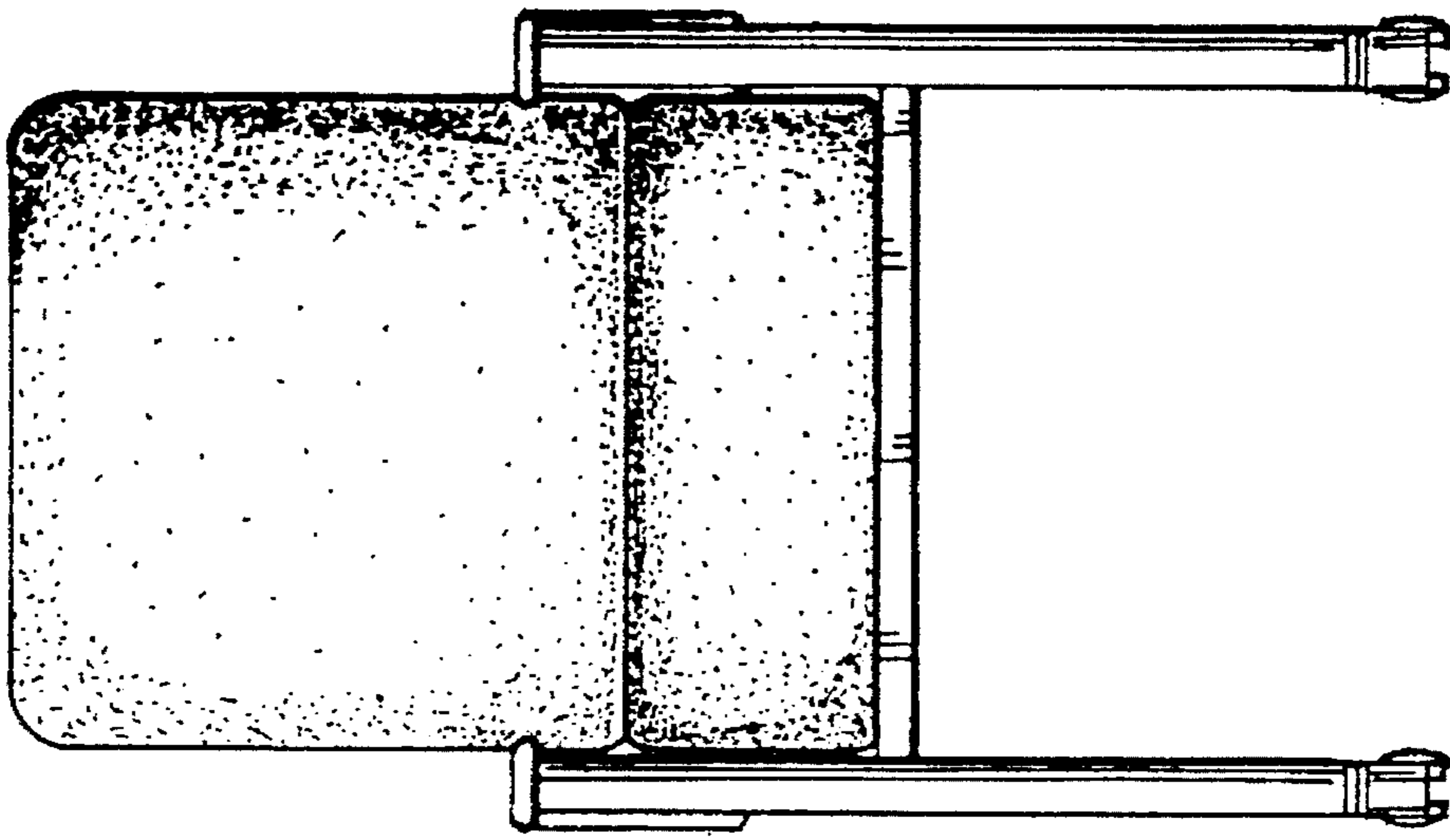


FIG. 3

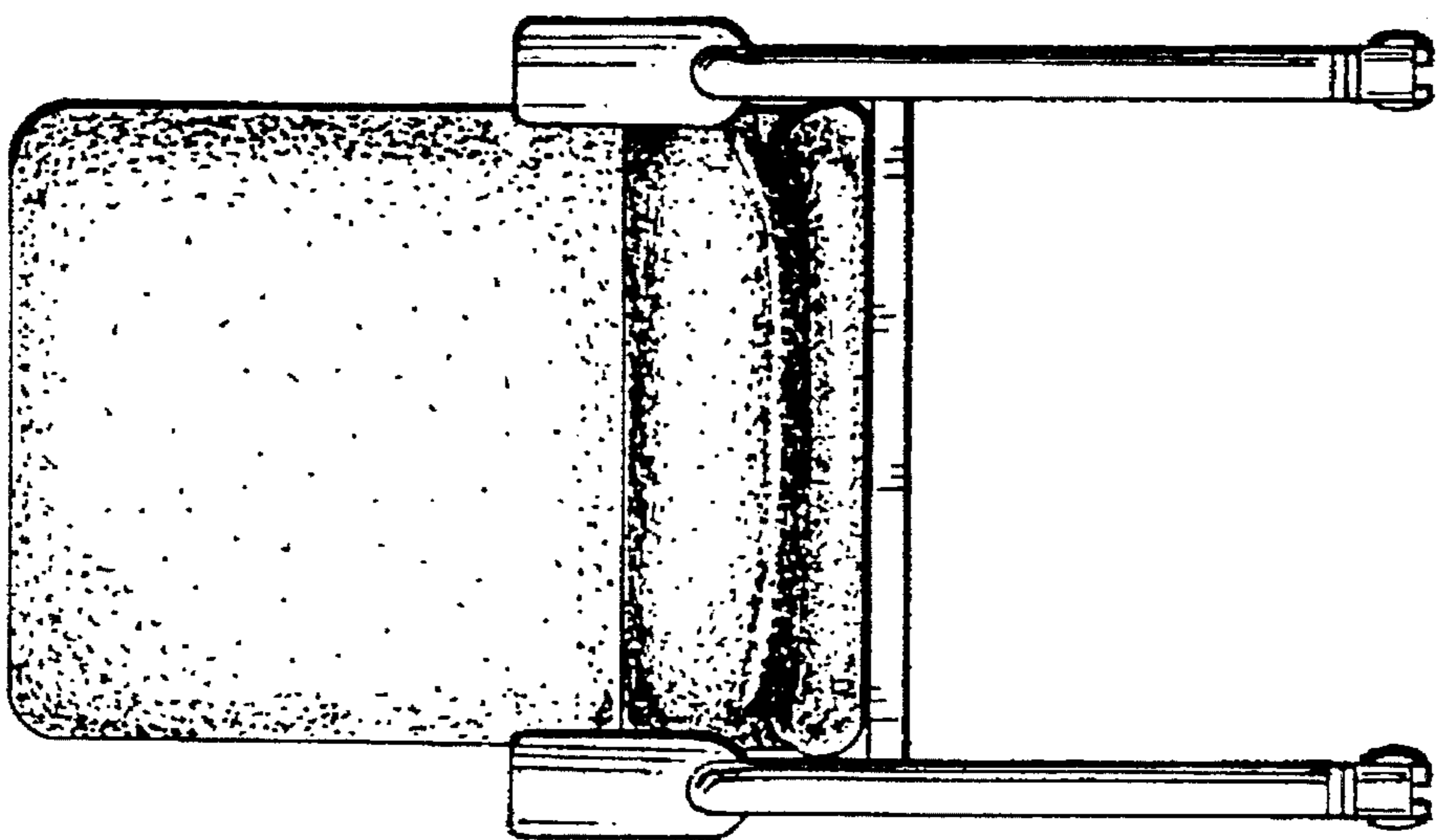


FIG. 2

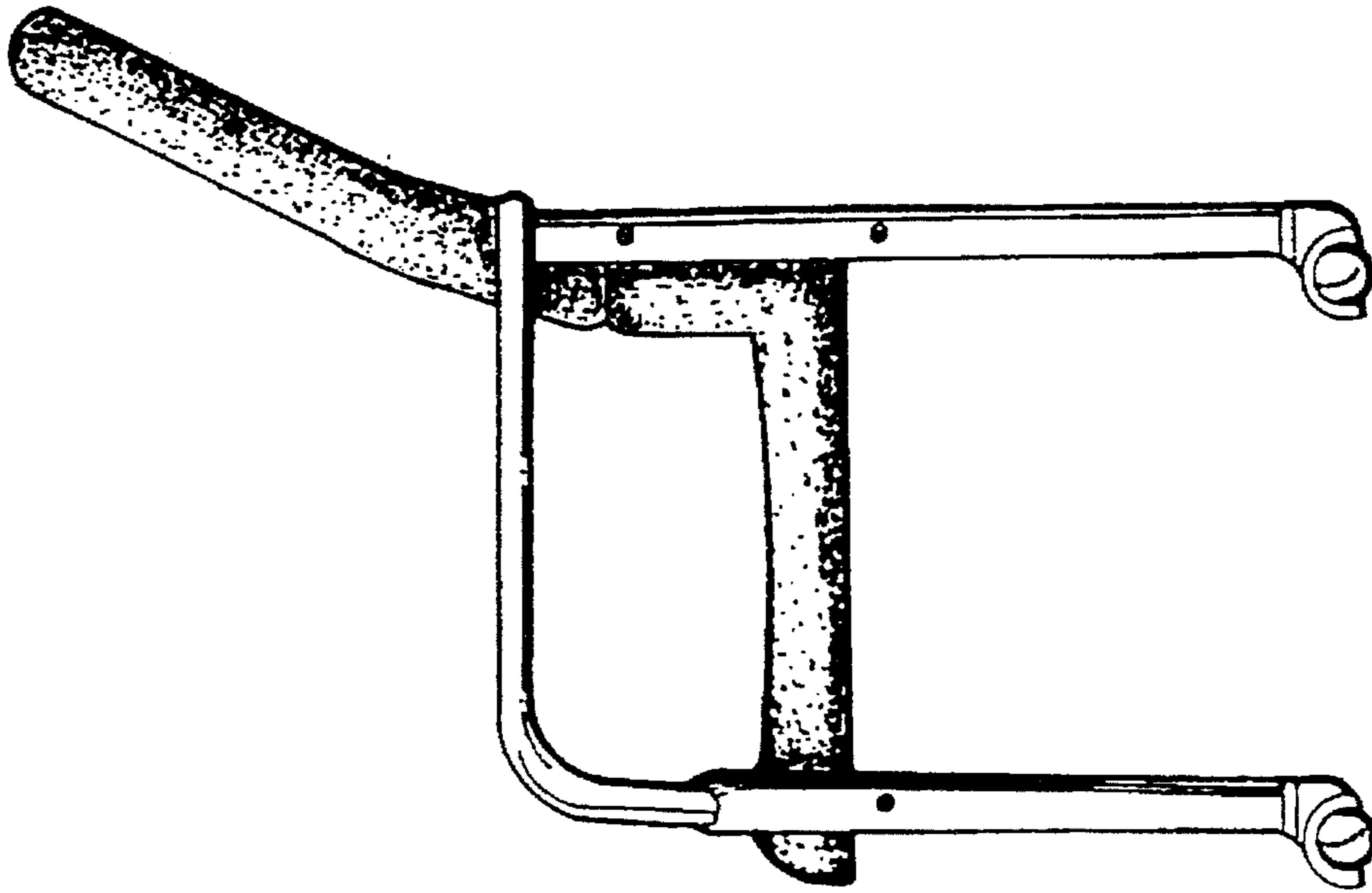


FIG. 5

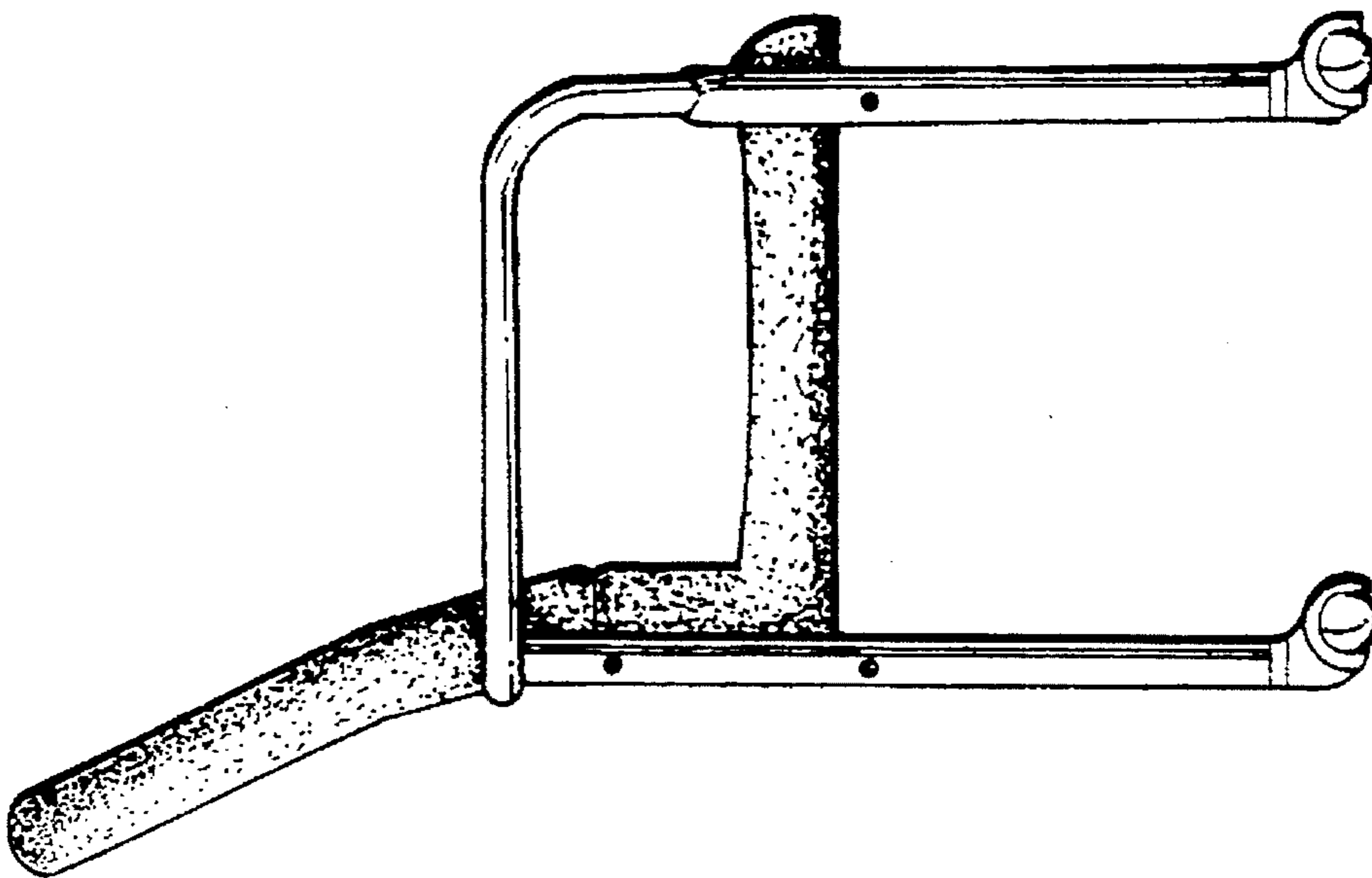


FIG. 4



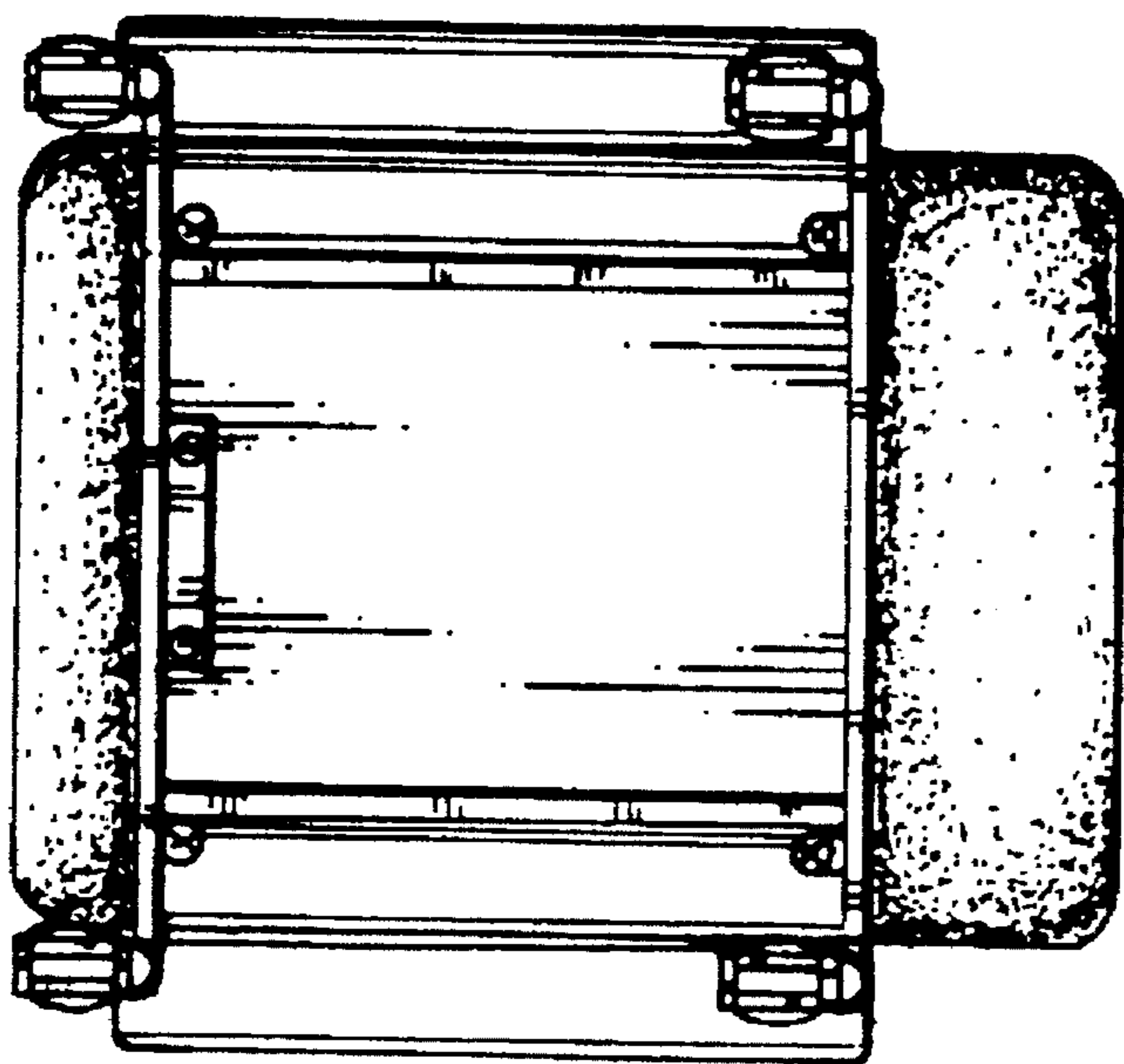


FIG. 7

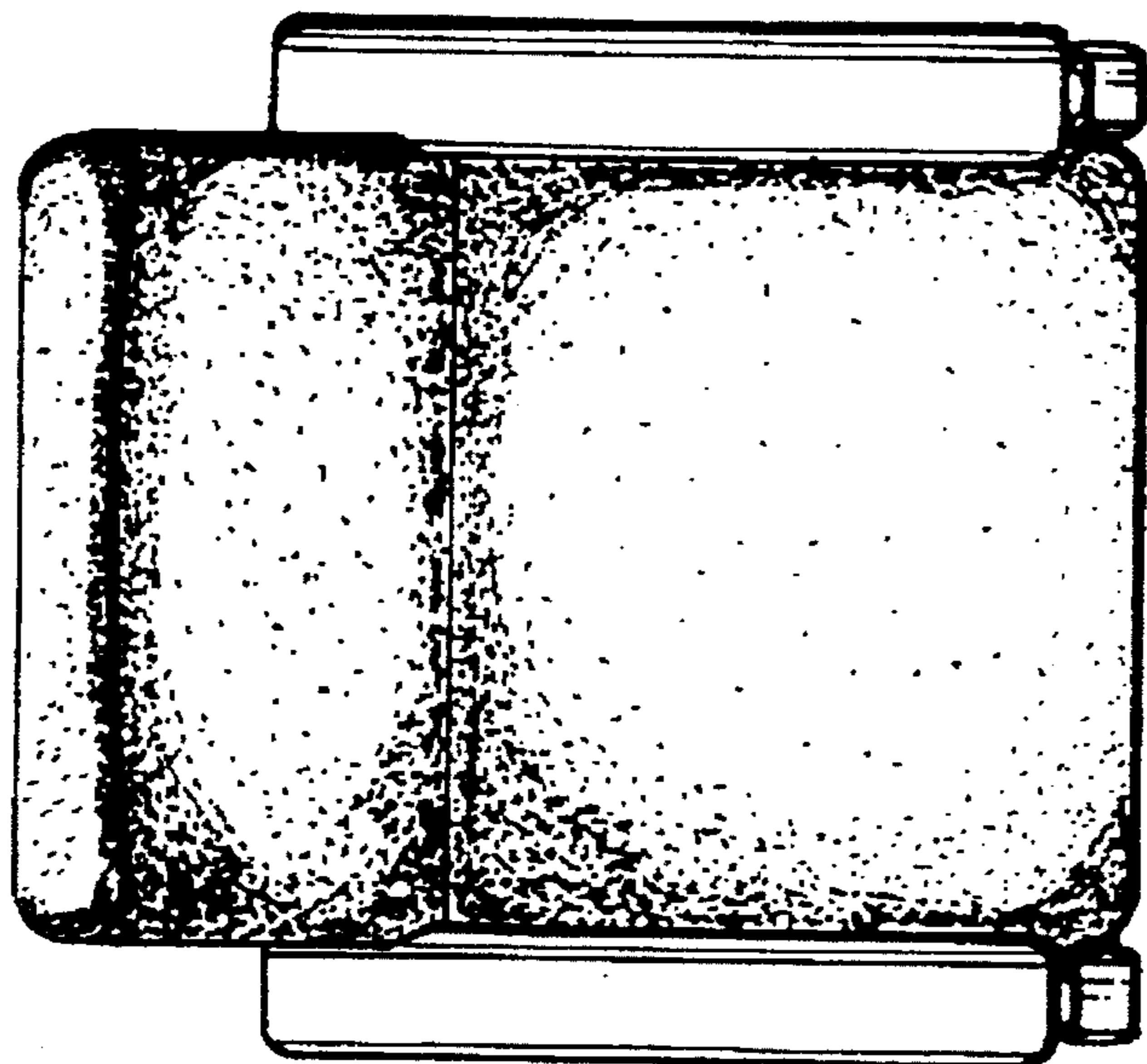


FIG. 6