



US00D368172S

United States Patent [19]

[11] Patent Number: **Des. 368,172**

Locher

[45] Date of Patent: ****Mar. 26, 1996**

[54] **CHAIR**

[75] Inventor: **Hermann Locher**, Schwanden,
Switzerland

[73] Assignee: **Giroflex Entwicklungs AG**, Koblenz,
Switzerland

[**] Term: **14 Years**

[21] Appl. No.: **37,630**

[22] Filed: **Apr. 18, 1995**

[30] Foreign Application Priority Data

Oct. 19, 1994 [WO] WIPO DM/031 051

[52] U.S. Cl. **D6/366**

[58] Field of Search D6/334, 335, 336,
D6/367, 379, 500, 501, 502; 297/411.2,
411.44

[56] References Cited

U.S. PATENT DOCUMENTS

- D. 247,463 3/1978 Müller-Deisig D6/366
- D. 256,740 9/1980 Acton D6/366

- D. 256,741 9/1980 Acton D6/366
- D. 267,990 2/1983 Buhk et al. D6/366
- D. 274,675 7/1984 Diffrient D6/366
- D. 276,576 12/1984 Helmholdt D6/366
- D. 277,143 1/1985 Helmholdt D6/366
- D. 341,951 12/1993 Engel D6/366
- D. 345,866 4/1994 Barker D6/366
- D. 355,303 2/1995 Scheper et al. D6/366

Primary Examiner—Gary D. Watson
Attorney, Agent, or Firm—Greenblum & Bernstein

[57] CLAIM

The ornamental design for a chair, as shown and described.

DESCRIPTION

FIG. 1 is a front perspective view of a chair, showing my new design;
 FIG. 2 is a front elevational view thereof;
 FIG. 3 is a rear elevational view thereof;
 FIG. 4 is a left side elevational view thereof;
 FIG. 5 is a right side elevational view thereof;
 FIG. 6 is a top plan view thereof; and,
 FIG. 7 is a bottom plan view thereof.

1 Claim, 6 Drawing Sheets

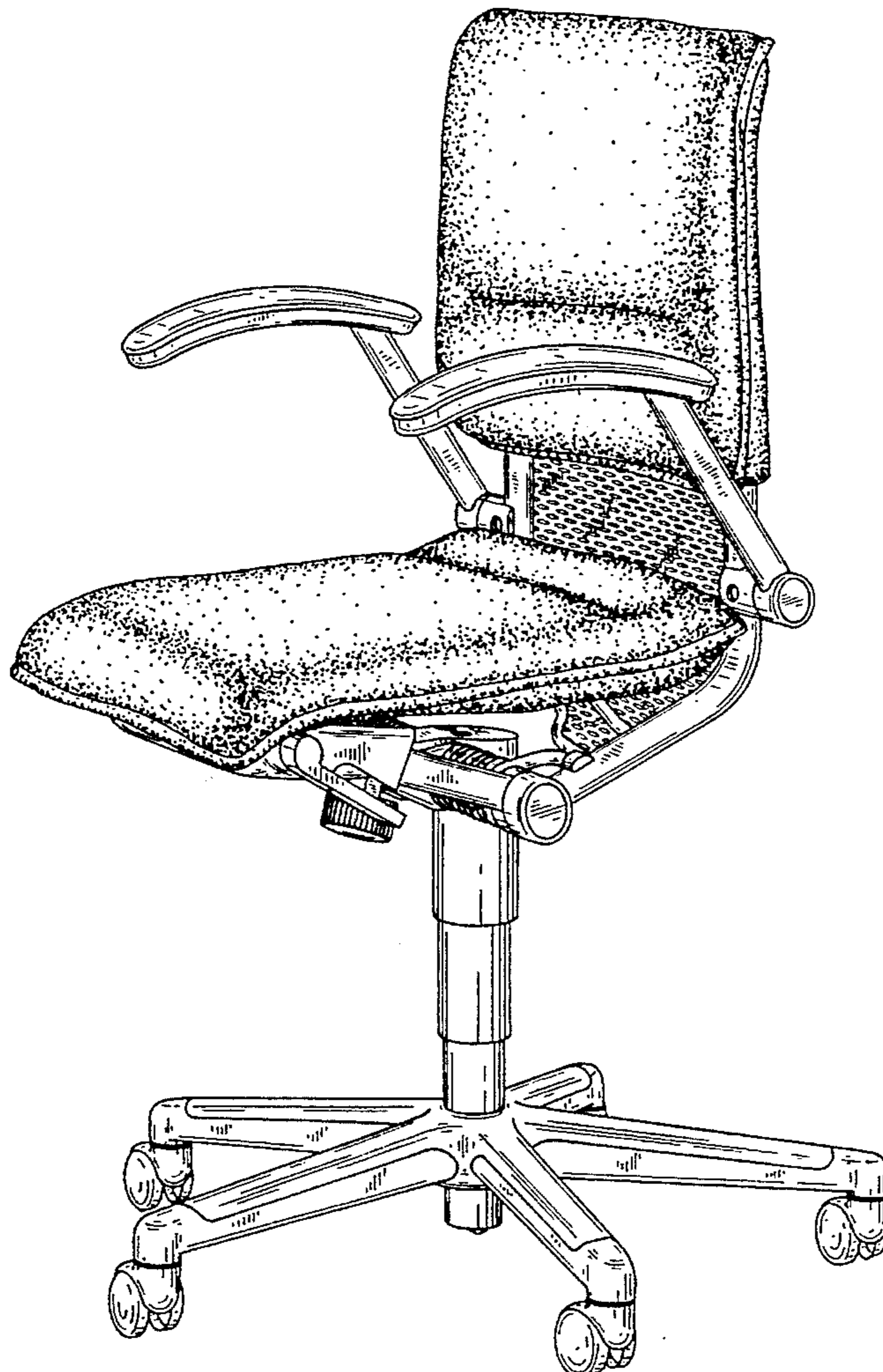




FIG. 1

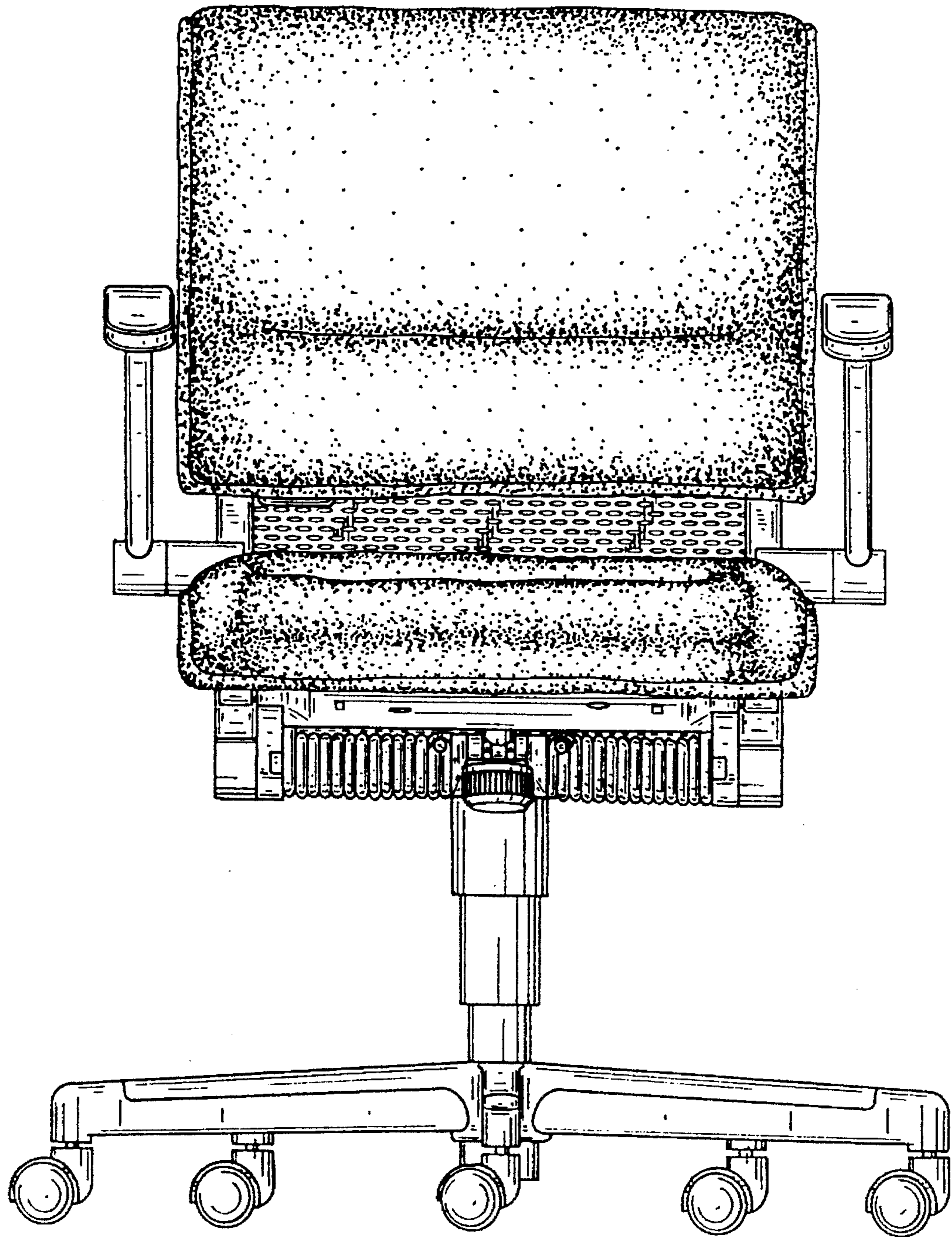


FIG. 2

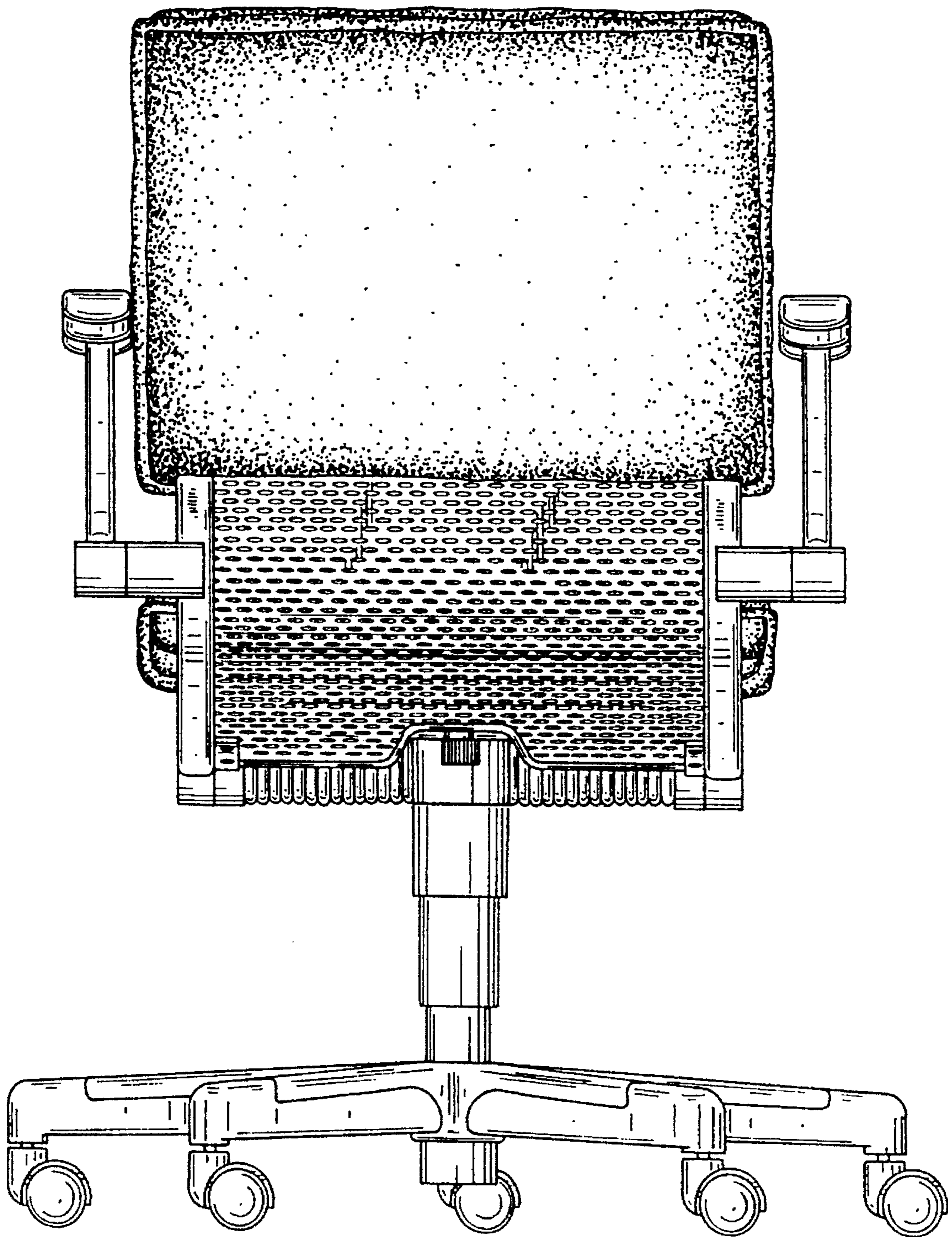


FIG. 3

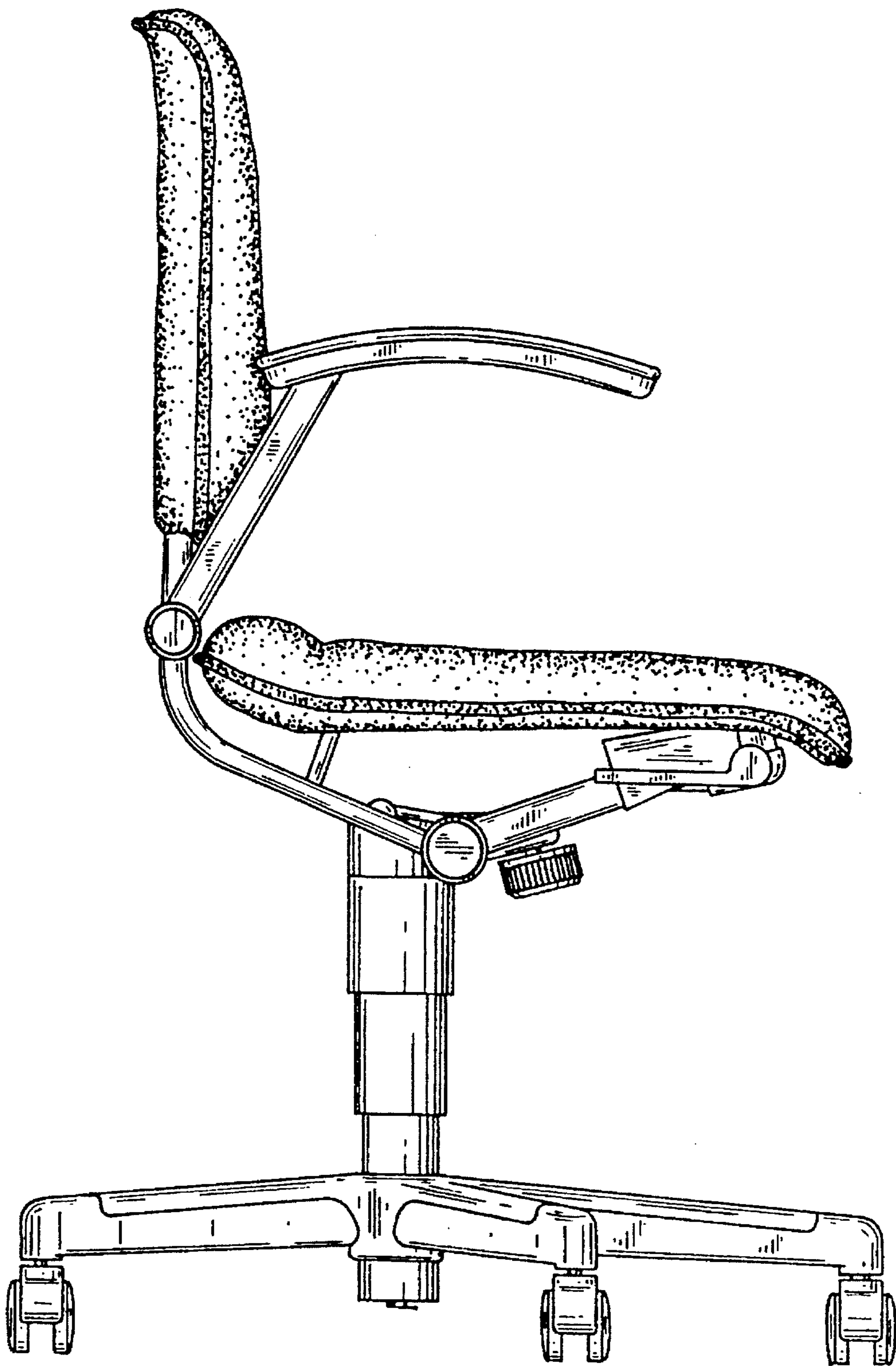


FIG. 4

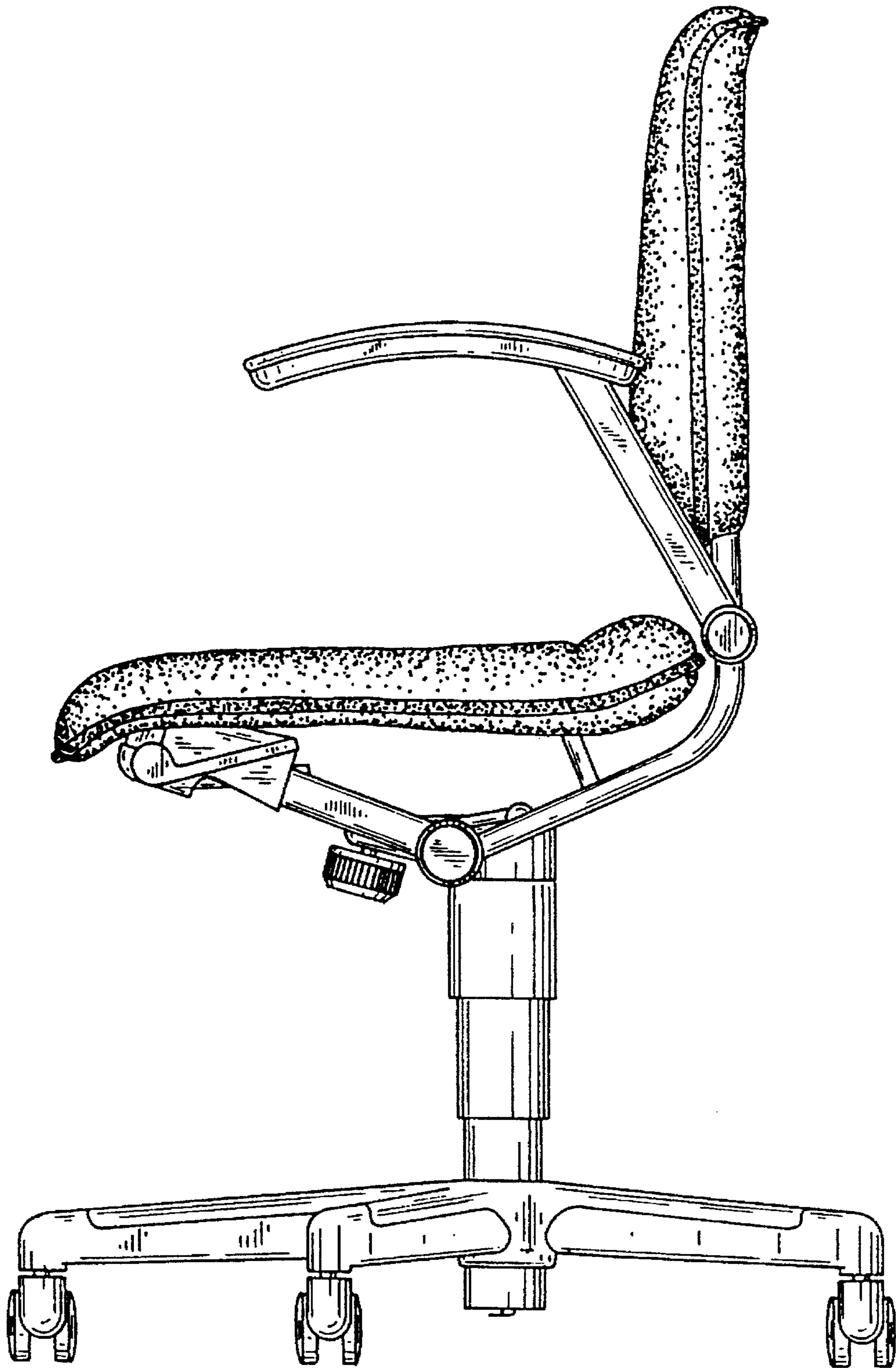


FIG. 5

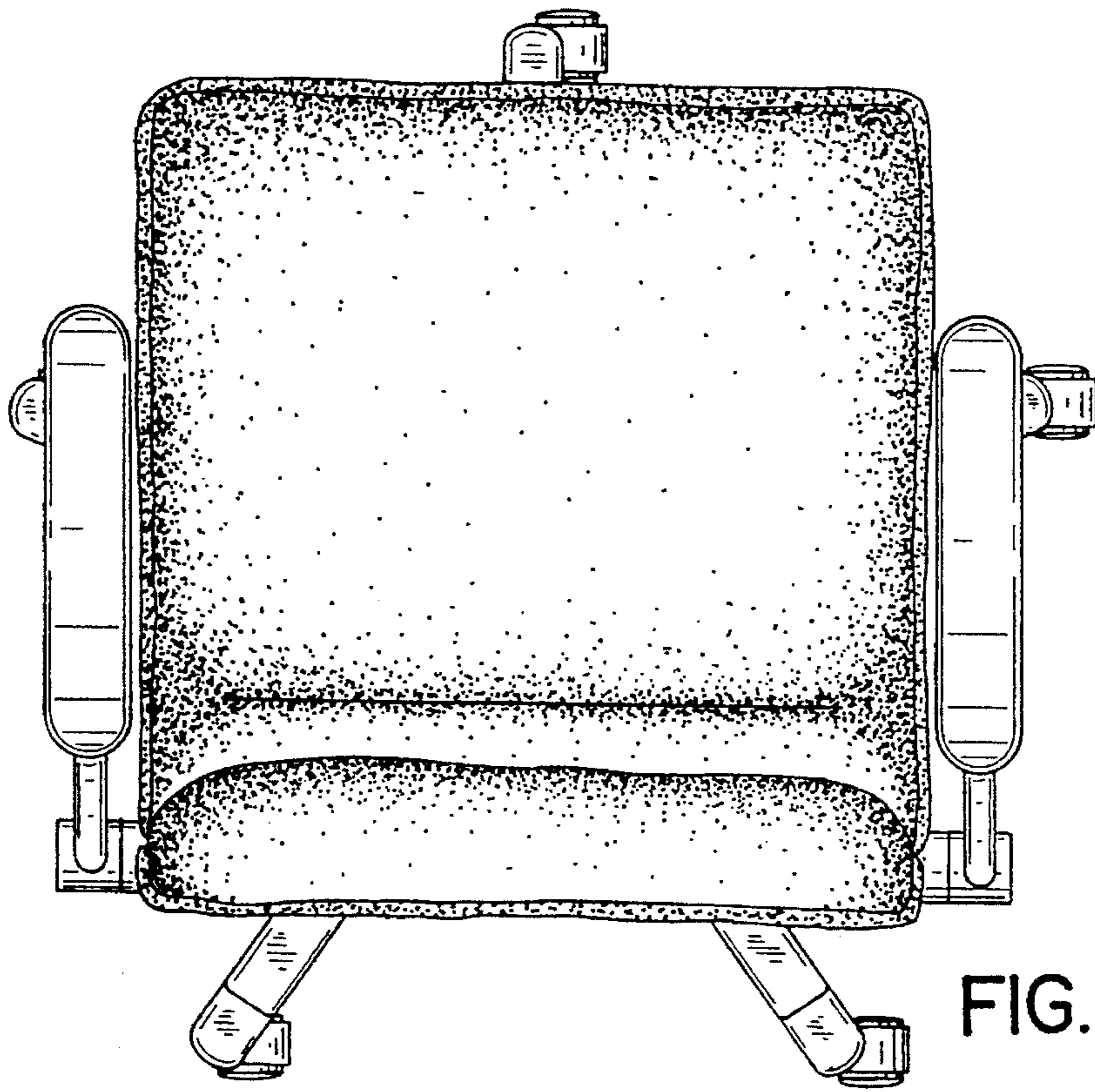


FIG. 6

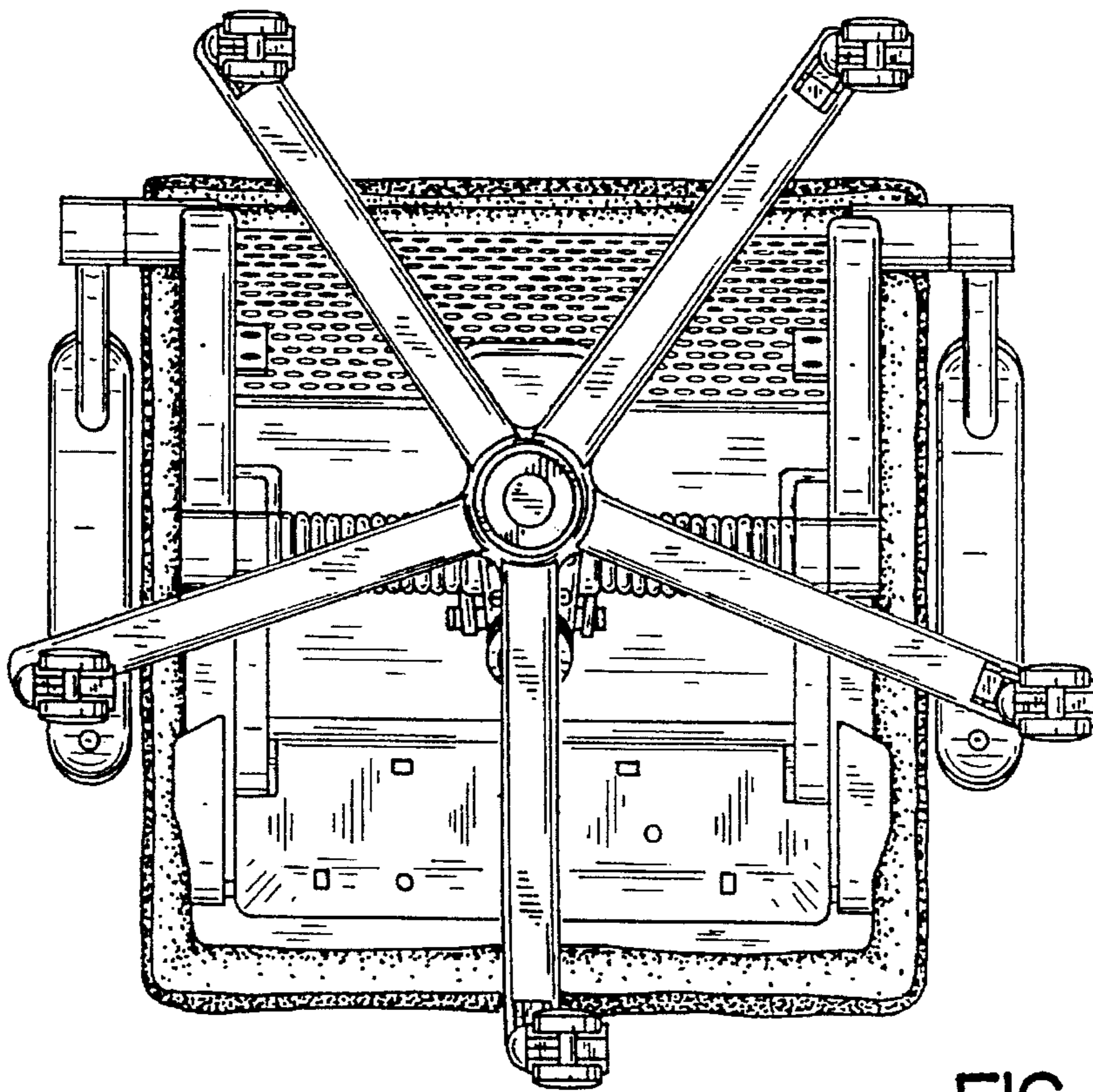


FIG. 7