



US00D368171S

# United States Patent [19]

[11] Patent Number: **Des. 368,171**

**Snell**

[45] Date of Patent: **\*\*Mar. 26, 1996**

[54] **CONVERTIBLE BENCH TABLE**

[76] Inventor: **David H. Snell**, 206 Three Elms Road, Hereford HR4 0RF, United Kingdom

[\*\*] Term: **14 Years**

[21] Appl. No.: **33,898**

[22] Filed: **Jan. 23, 1995**

[52] U.S. Cl. .... **D6/336; D6/335**

[58] Field of Search ..... **D6/334, 335, 336, D6/337, 370, 381, 500, 501, 502; 297/119, 124, 126, 232**

[56] **References Cited**

**U.S. PATENT DOCUMENTS**

D. 248,903	8/1978	O'Connor	.....	D6/337	X
D. 336,796	6/1993	Chang	.....	D6/381	X
D. 354,173	1/1995	Escobal et al.	.....	D6/335	
1,757,960	5/1930	Greenstreet	.....	297/124	
2,882,957	4/1959	Anderson	.....	297/124	
4,211,449	7/1980	Richardson et al.	.....	297/126	
4,801,175	1/1989	Albanese	.....	297/124	
4,913,488	4/1990	Donnell, Jr.	.....	297/124	

*Primary Examiner*—Carmen H. Vales-Lado  
*Assistant Examiner*—Gary D. Watson

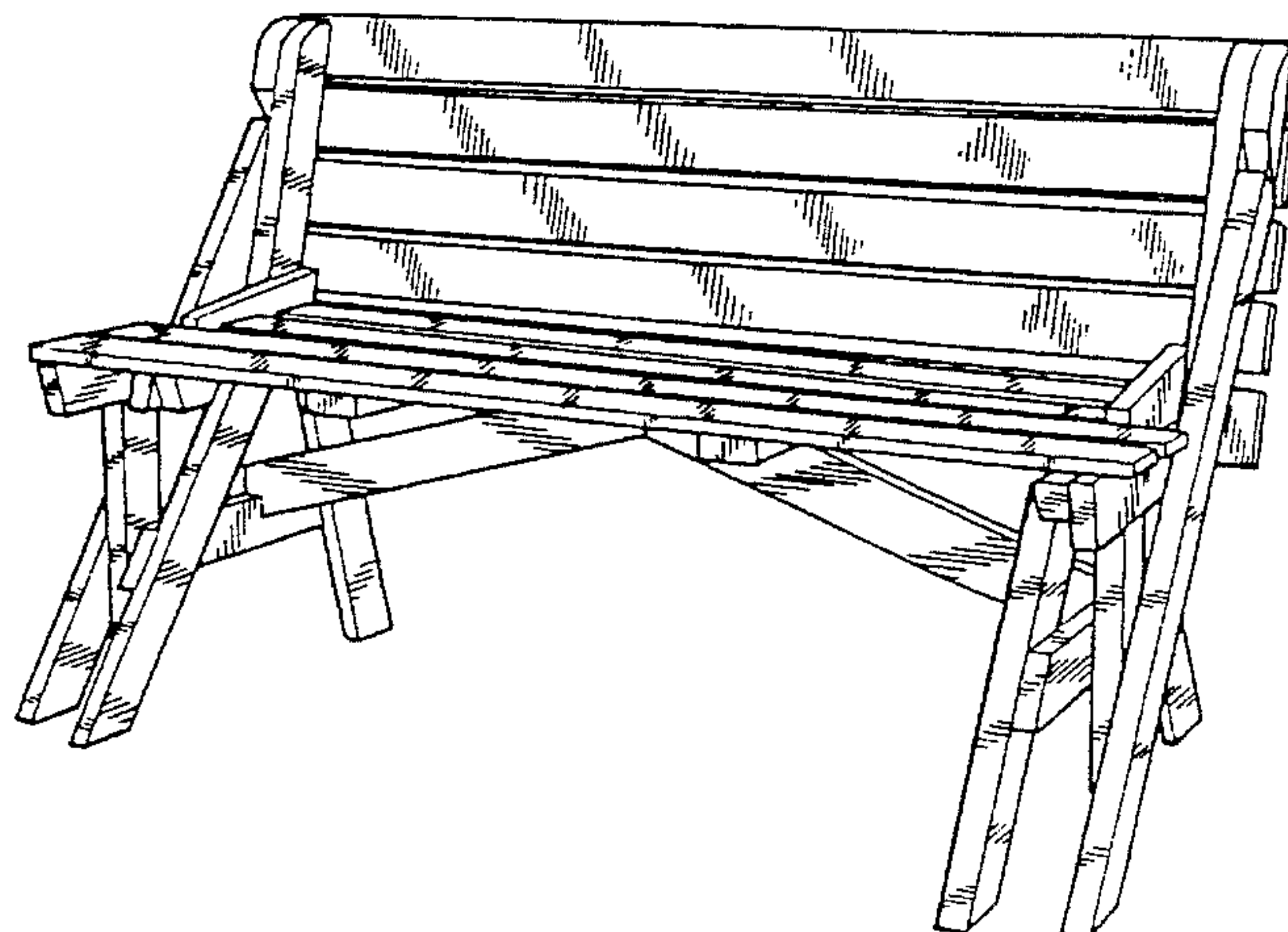
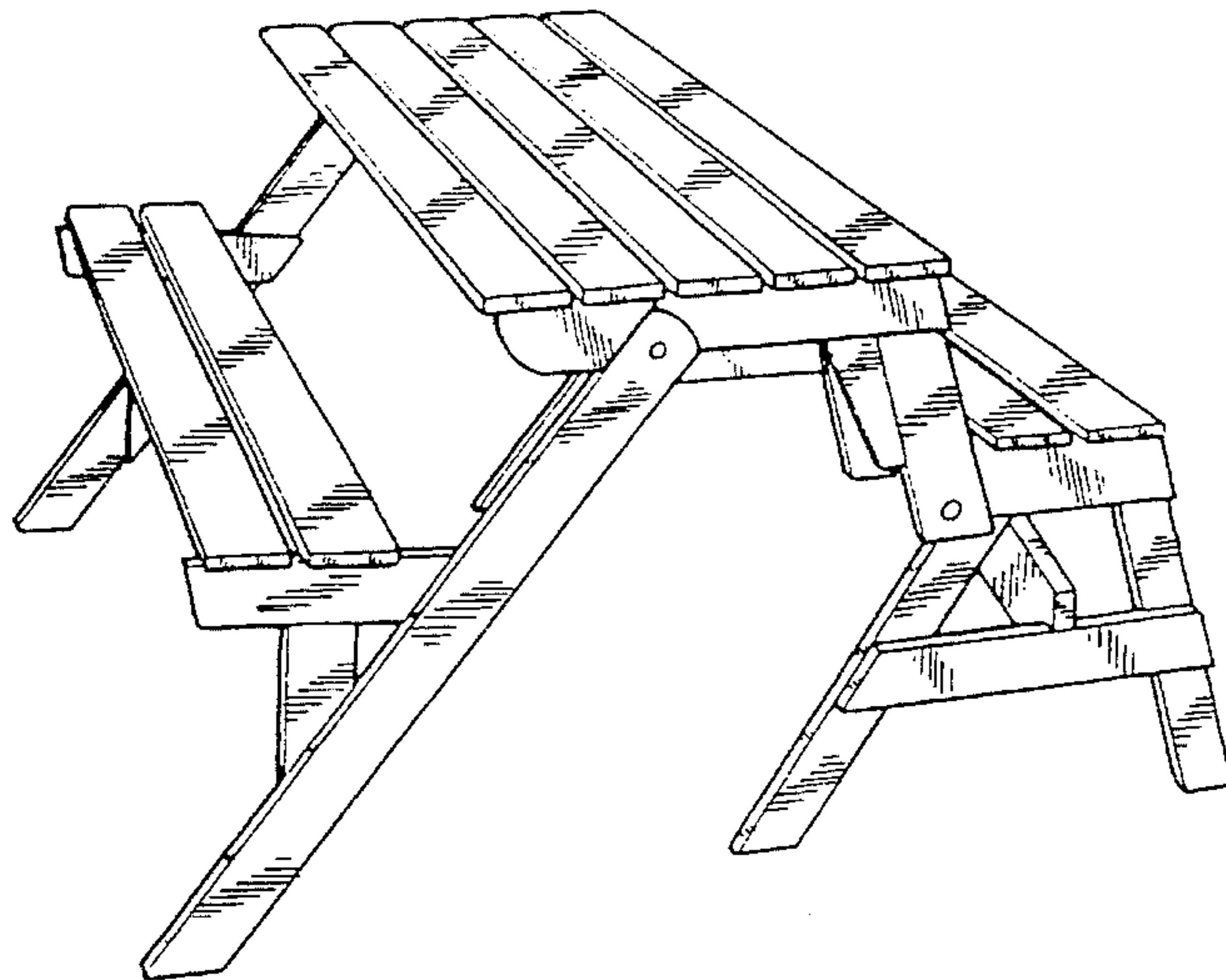
[57] **CLAIM**

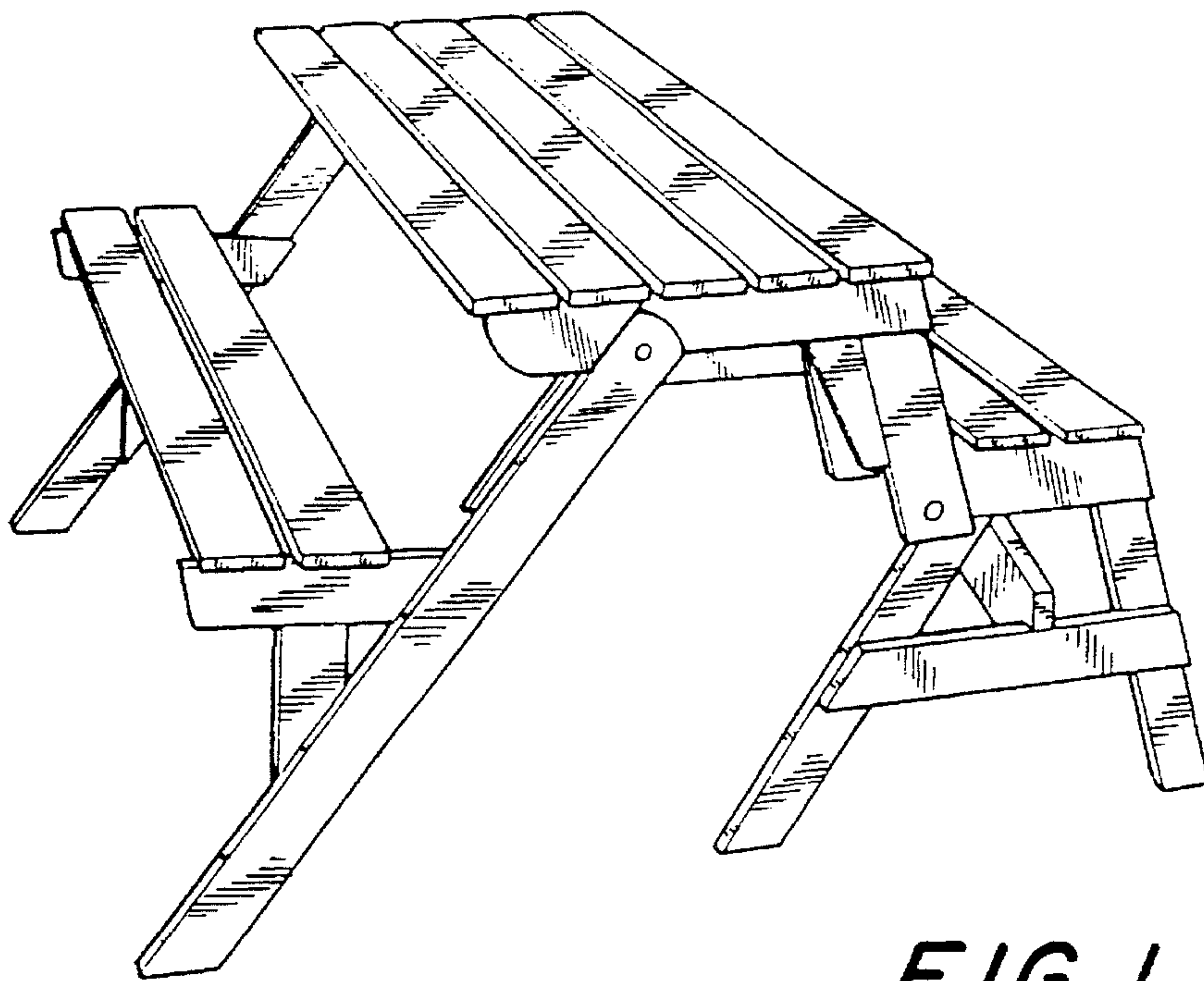
The ornamental design for a convertible bench table, as shown.

**DESCRIPTION**

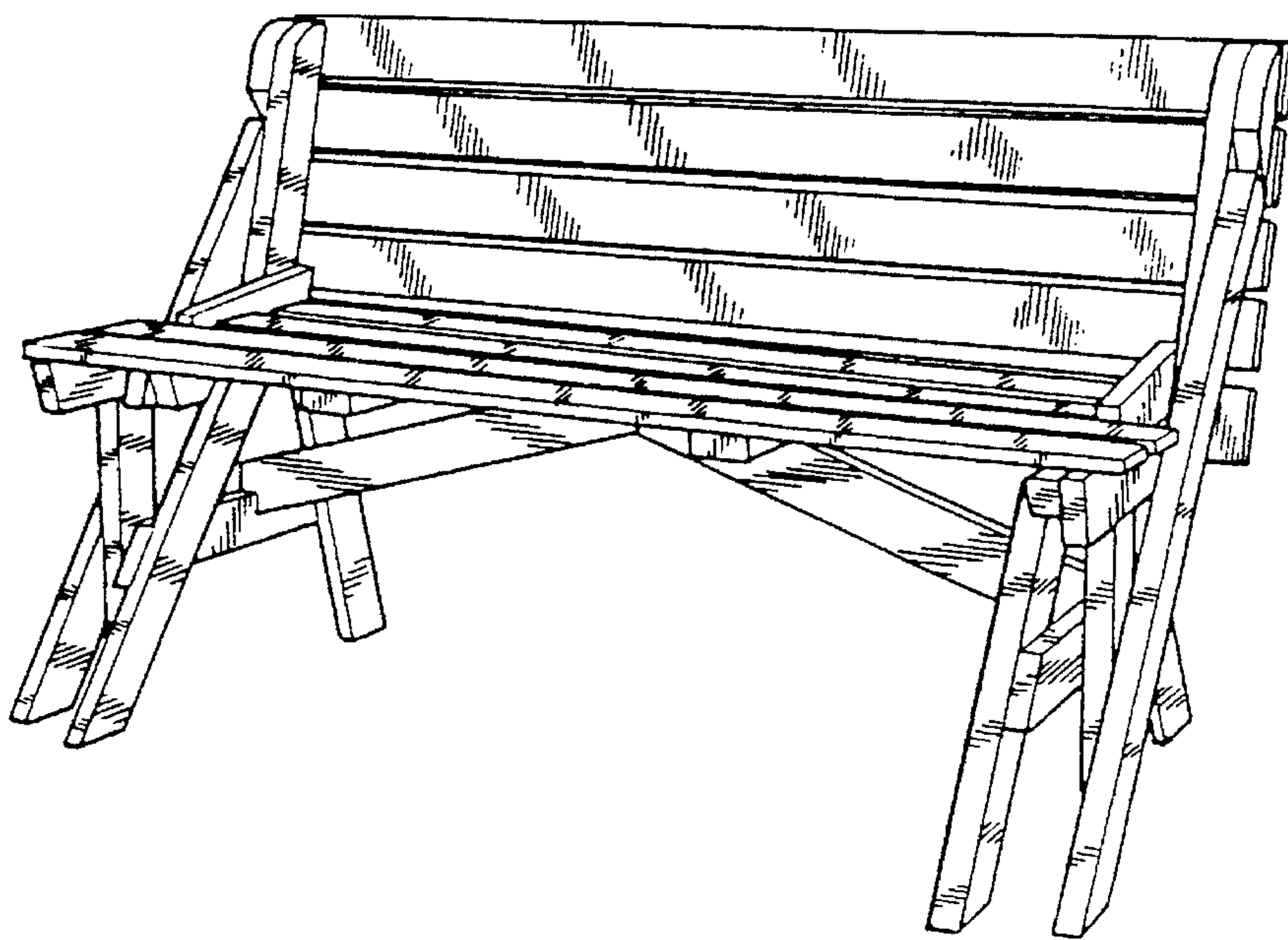
FIG. 1 is a perspective view showing my new design in an unfolded condition;  
FIG. 2 is a perspective view showing my new design in a folded condition;  
FIG. 3 is a side elevation showing my new design in an unfolded condition;  
FIG. 4 is one end elevation showing my new design in an unfolded condition;  
FIG. 5 is an end elevation of the other end showing my new design in an unfolded condition;  
FIG. 6 is a top plan view showing my new design in an unfolded condition; and,  
FIG. 7 is an underneath plan view showing my new design in an unfolded condition.

**1 Claim, 3 Drawing Sheets**



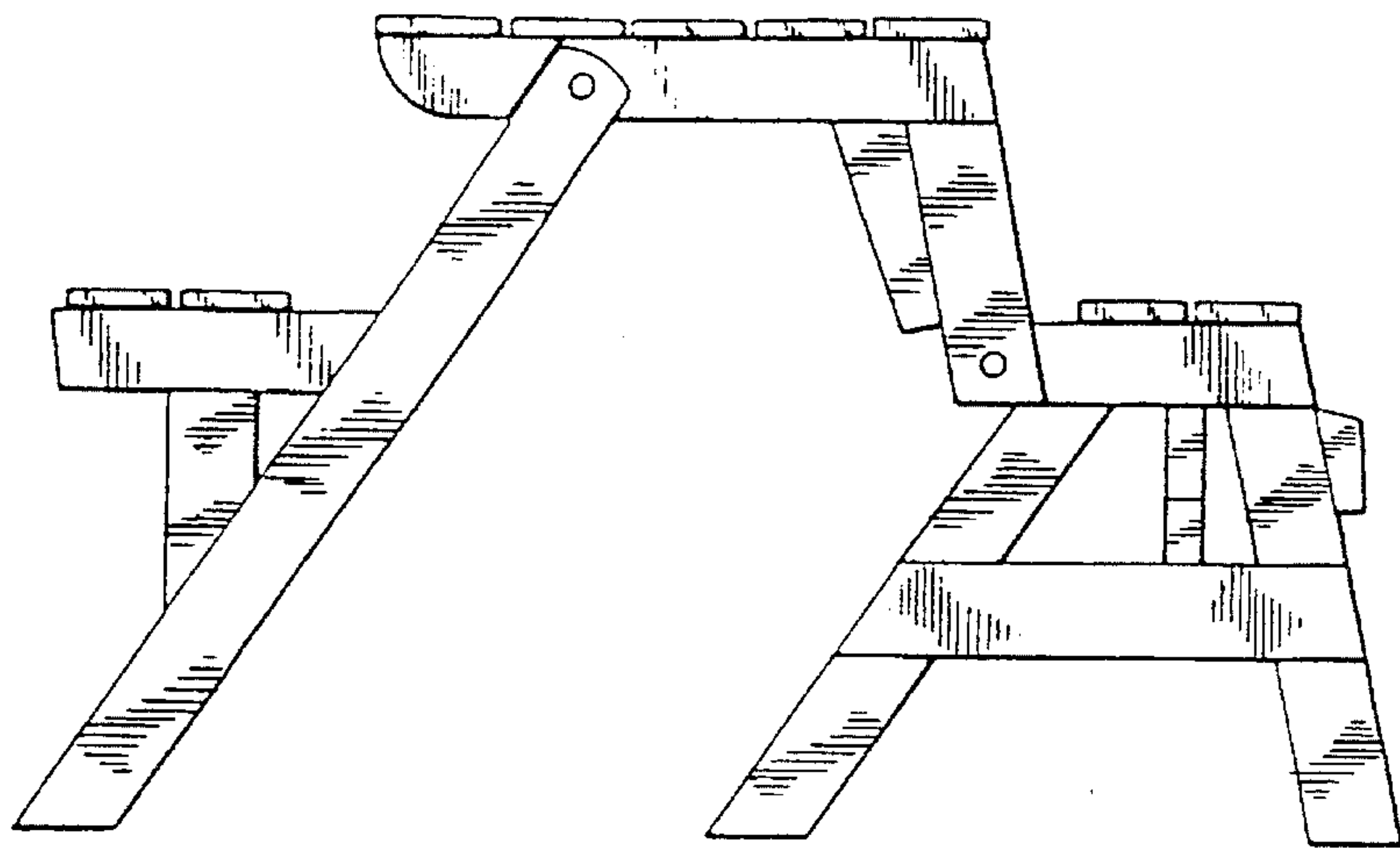


*FIG. 1*

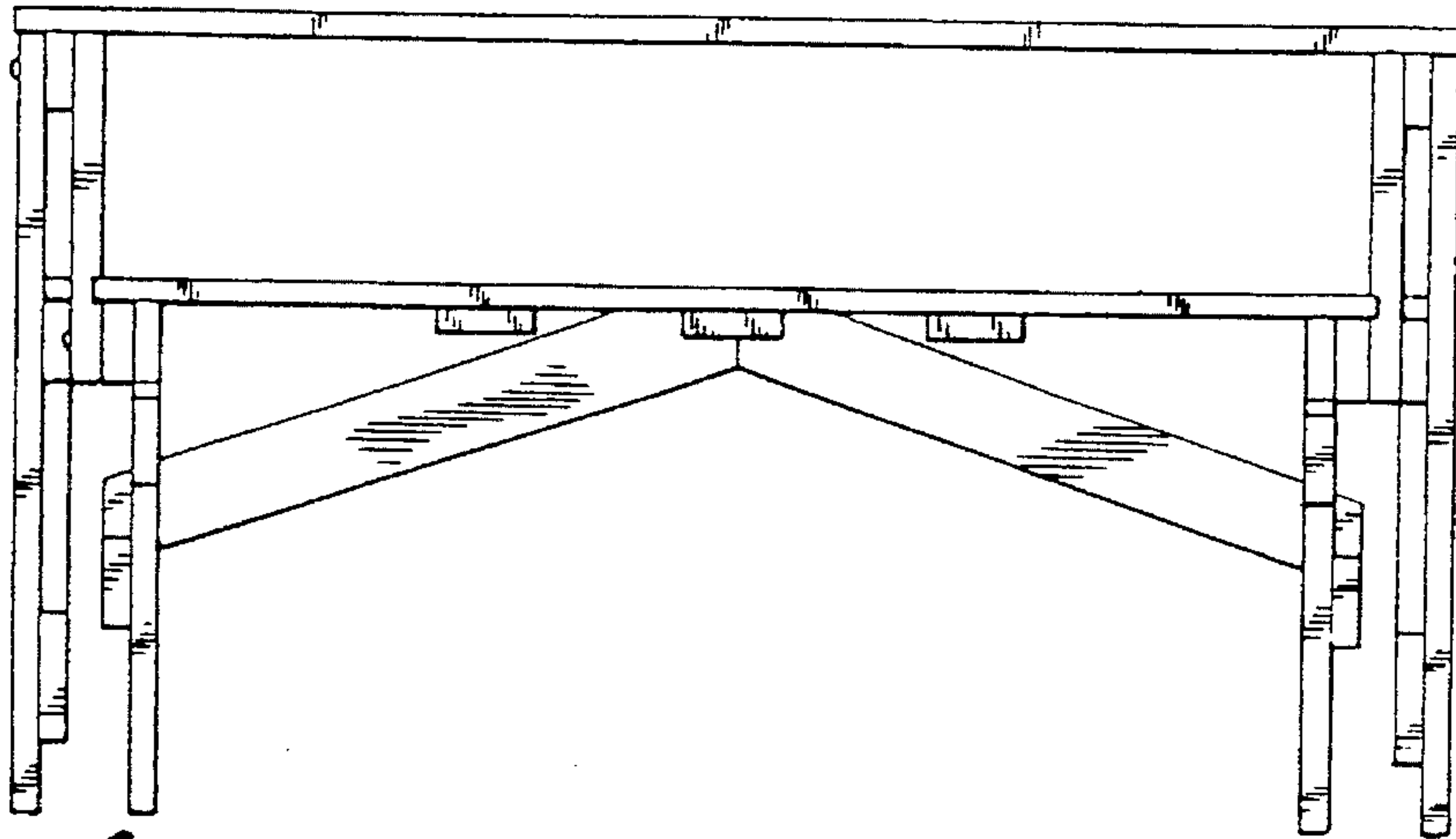


*FIG. 2*

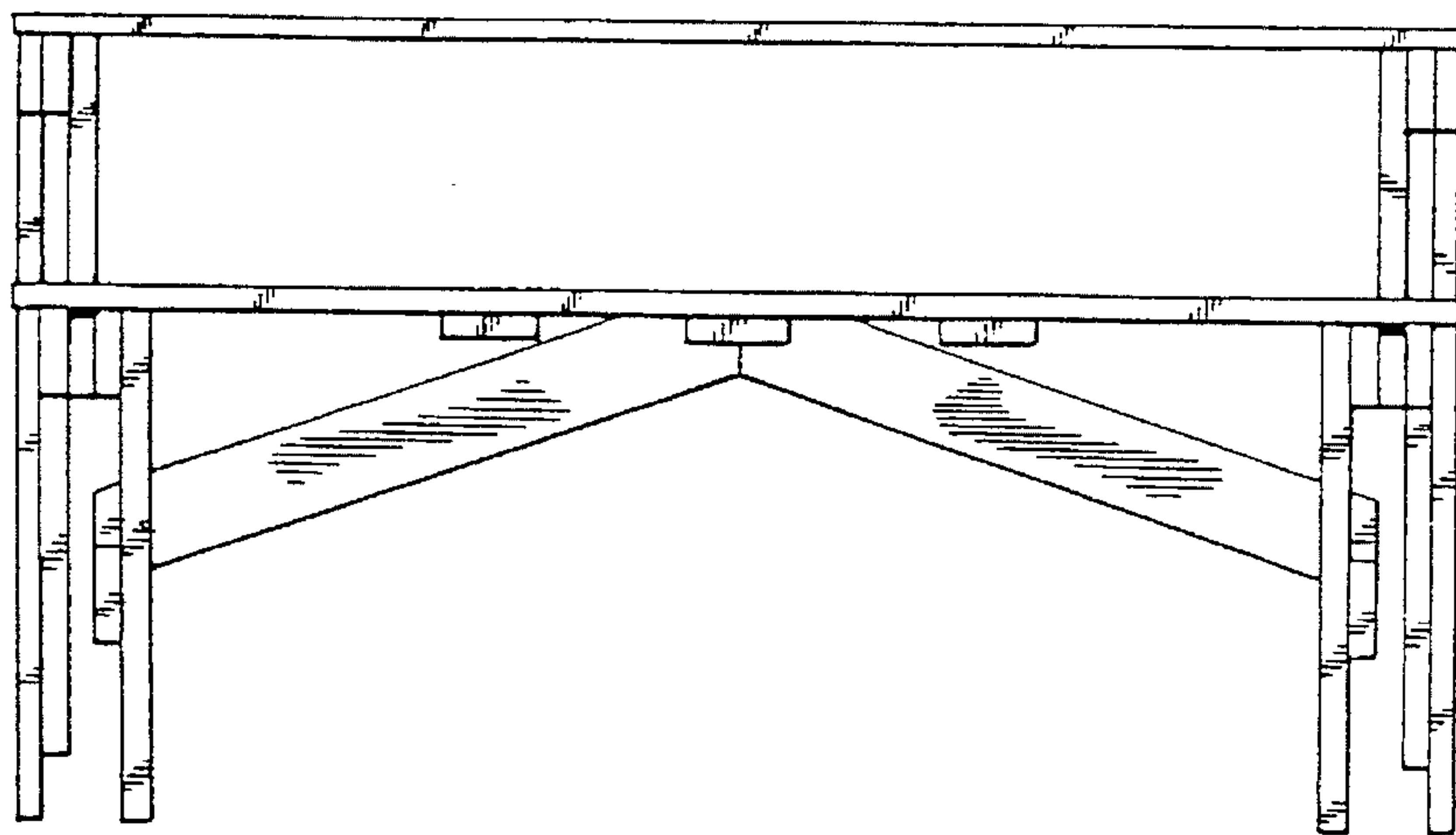
*FIG. 3*



*FIG. 4*

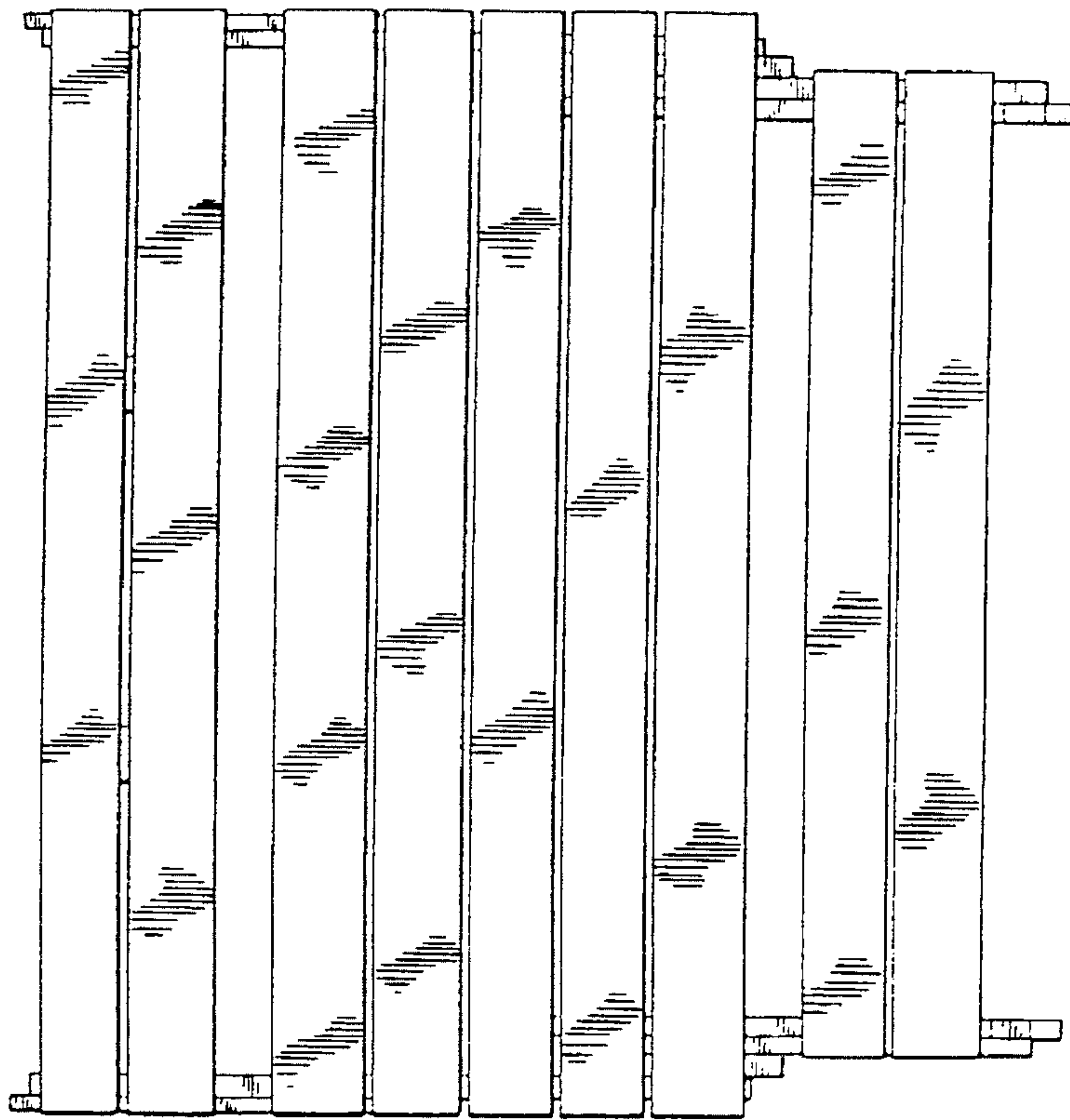


*FIG. 5*





*FIG. 6*



*FIG. 7*

