



US00D368169S

# United States Patent [19] Coker

[11] **Patent Number:** **Des. 368,169**  
[45] **Date of Patent:** **\*\*Mar. 26, 1996**

[54] **GARMENT CLIP**

[76] Inventor: **Jo E. Coker**, 113 Lakewood Dr.,  
Baytown, Tex. 77520

[\*\*] Term: **14 Years**

[21] Appl. No.: **31,328**

[22] Filed: **Nov. 22, 1994**

### Related U.S. Application Data

[63] Continuation-in-part of Ser. No. 17,576, Jan. 18, 1994,  
abandoned.

[52] **U.S. Cl.** ..... **D6/326**; D6/315

[58] **Field of Search** ..... D6/315, 326, 328;  
D3/215, 224; D11/214, 215; 24/298, 302,  
335, 336; 224/253, 269, 904

### [56] References Cited

#### U.S. PATENT DOCUMENTS

D. 97,378 11/1935 Braun ..... D11/214  
D. 297,285 8/1988 Larsson ..... D6/326

D. 316,334 4/1991 Duester ..... D6/328  
3,295,812 1/1967 Schneider et al. .... 24/335  
4,586,620 5/1986 Andrews ..... 24/298 X

#### FOREIGN PATENT DOCUMENTS

1255929 12/1971 United Kingdom ..... D24/302

*Primary Examiner*—Ted Shooman  
*Assistant Examiner*—Dominic Simone  
*Attorney, Agent, or Firm*—Kenneth A. Roddy

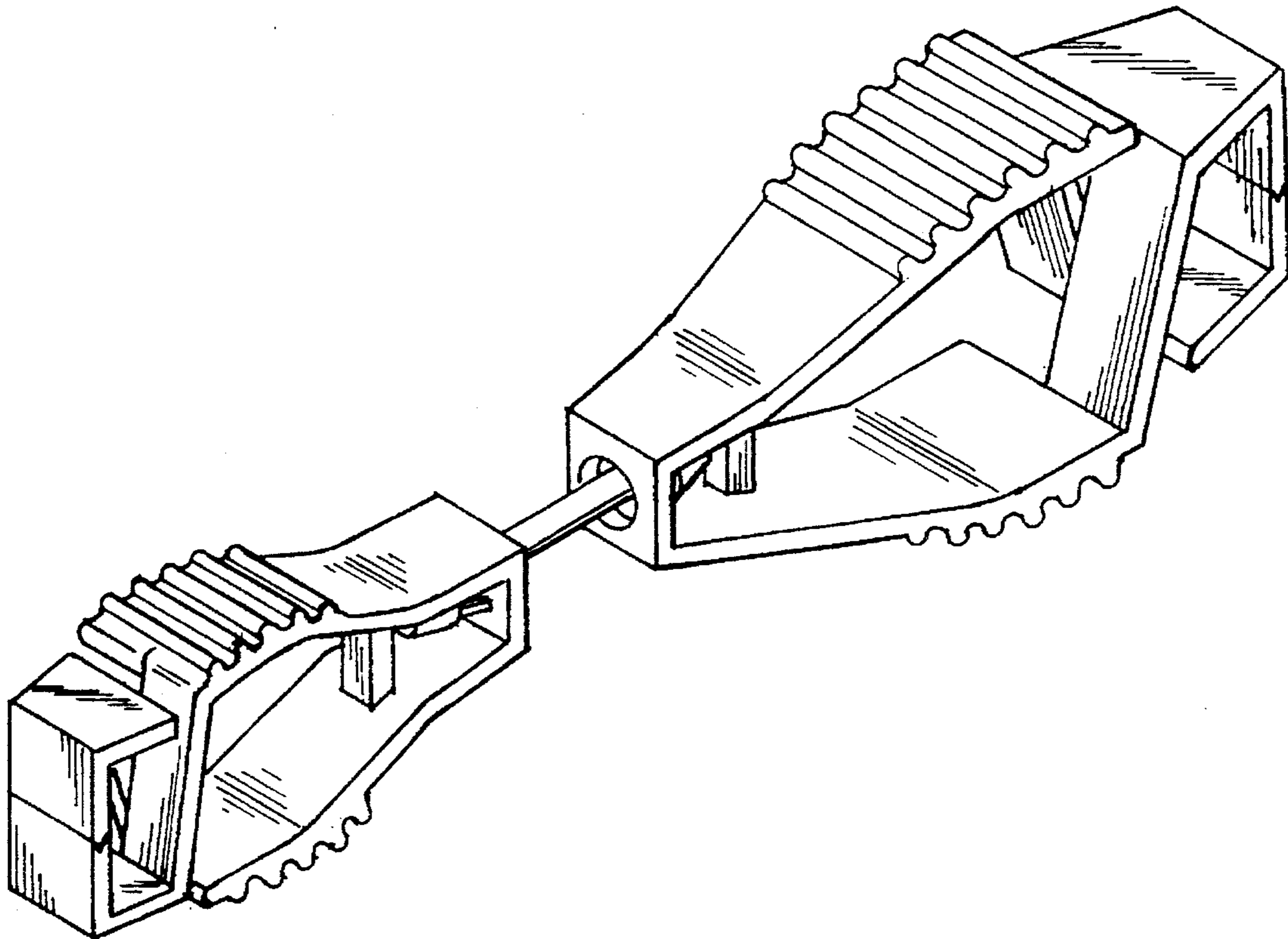
### [57] CLAIM

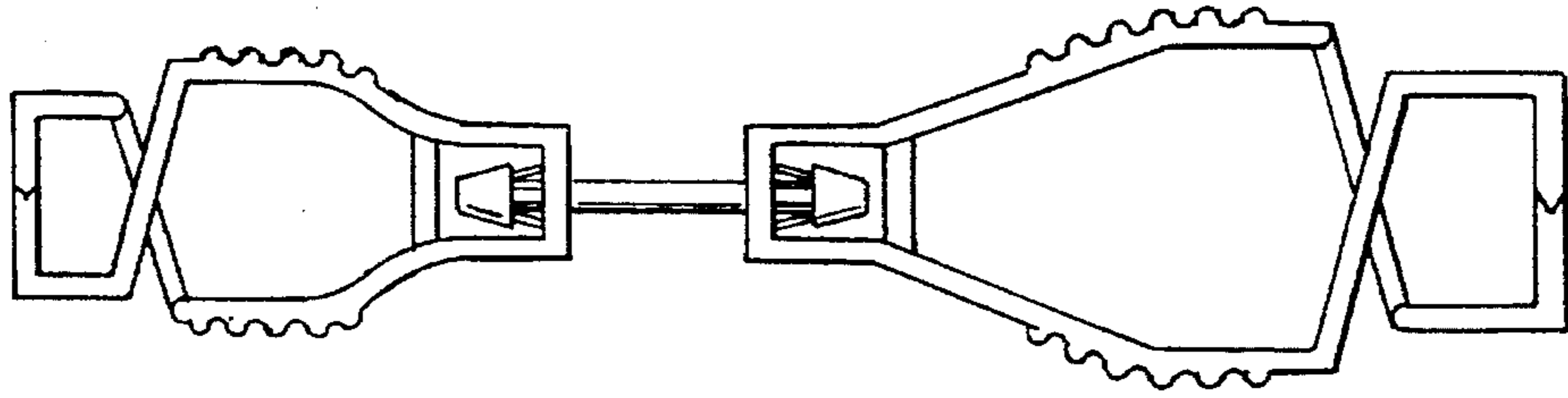
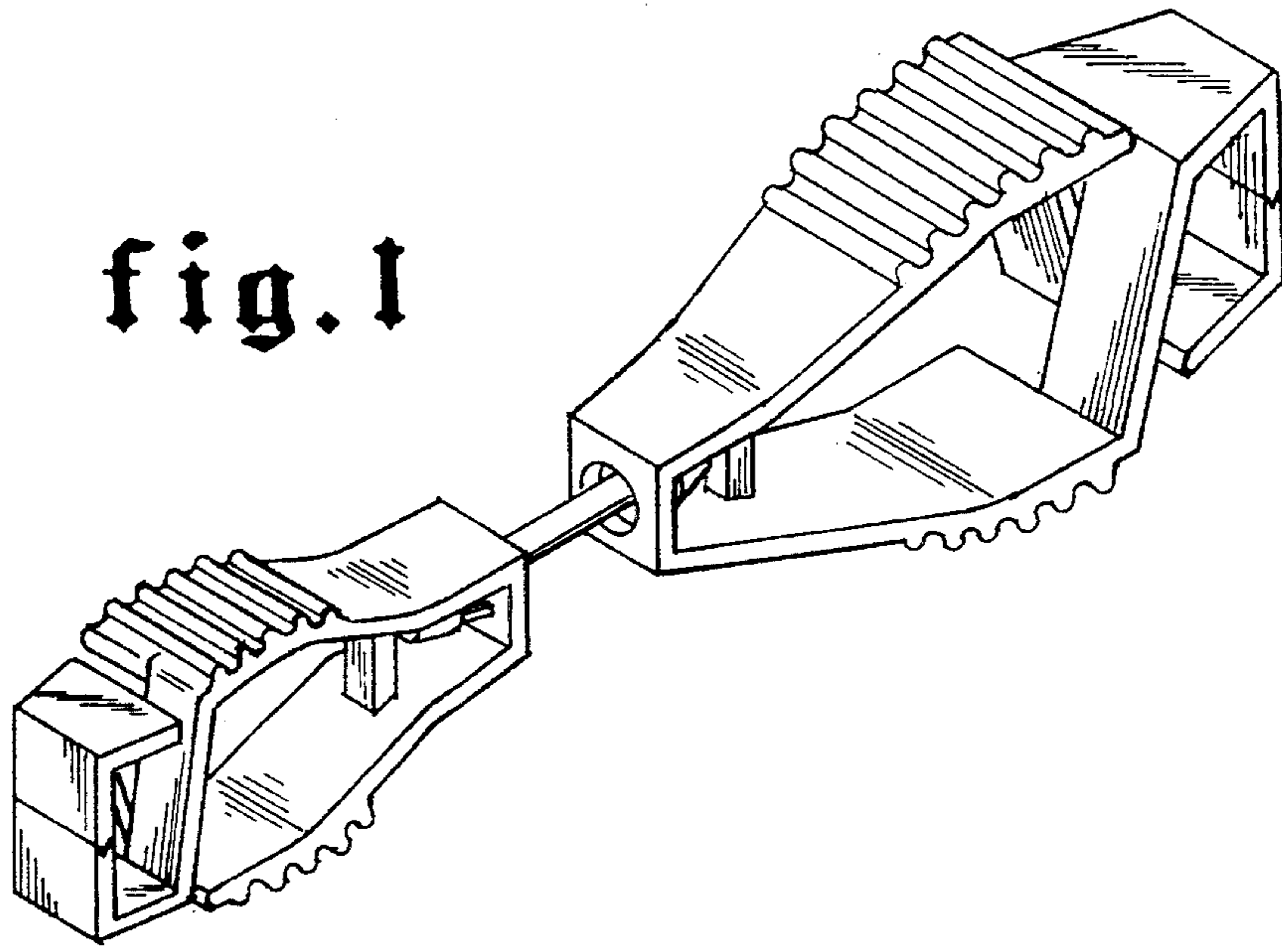
The ornamental design for a garment clip, as shown and described.

### DESCRIPTION

FIG. 1 is a perspective view of a garment clip showing my new design from the top, one side, and one end;  
FIG. 2 is an isometric view thereof shown from the bottom and opposite side and end; and,  
FIG. 3 is a side elevation view thereof.

**1 Claim, 1 Drawing Sheet**





**fig. 3**

