



US00D368168S

United States Patent [19]
Bennett

[11] **Patent Number: Des. 368,168**
[45] **Date of Patent: **Mar. 26, 1996**

[54] **CAP HOLDER**

[76] Inventor: **Rodney R. Bennett**, 31 N. Acorn Dr.,
North Salt Lake, Utah 84054

[**] Term: **14 Years**

[21] Appl. No.: **35,768**

[22] Filed: **Mar. 6, 1995**

[52] U.S. Cl. **D6/323; D6/320**

[58] Field of Search **D6/320, 323; 211/30,**
211/32, 89

[56] **References Cited**

U.S. PATENT DOCUMENTS

D. 24,469	7/1895	Hirsh	D6/323
D. 84,569	7/1931	DeGeorge	D6/323
D. 93,637	10/1934	Schirmacher	D6/323
D. 113,895	3/1939	Hutchison	D6/323
652,444	6/1900	Shea	211/32
1,985,961	6/1933	Switzer .	
2,640,594	6/1953	Lesikar .	
2,659,489	11/1953	Searles .	
2,783,895	3/1957	Lynch .	
2,939,585	6/1960	Burgin .	
3,405,808	1/1966	Thompson .	
4,821,891	4/1989	Williams .	
5,002,190	2/1991	Moreland .	
5,074,508	12/1991	Powers .	

5,086,931	2/1992	Cobb .
5,092,472	3/1992	Jones .
5,169,007	12/1992	McHendry .
5,240,123	8/1993	Hawk .
5,303,829	4/1994	Kennedy .

OTHER PUBLICATIONS

The Hat Saver® (photocopy of product packaging) ©1985.
Hat Hammock™ (photocopy of product packaging) ©1992.

Primary Examiner—B. J. Bullock
Attorney, Agent, or Firm—Thorpe, North & Western

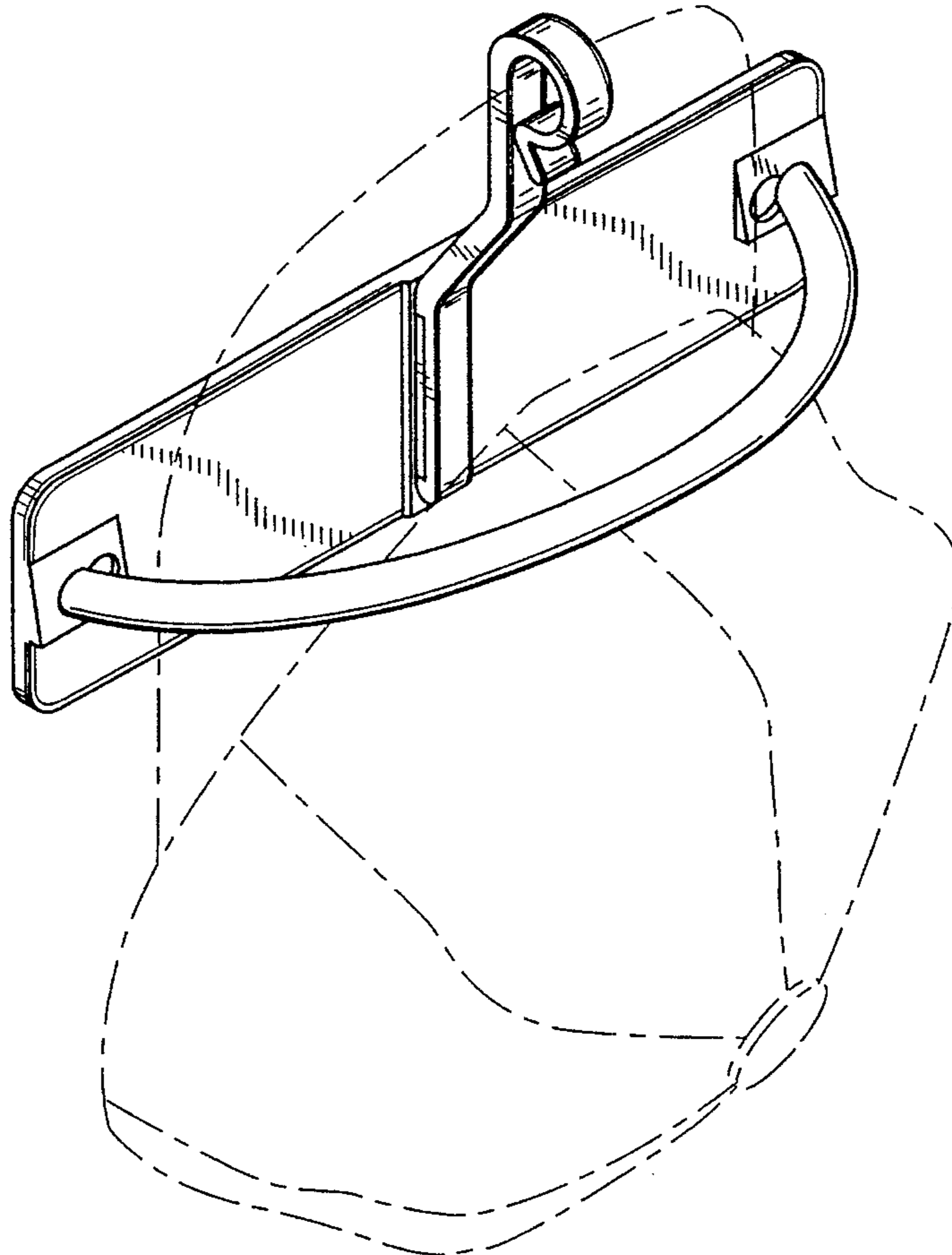
[57] **CLAIM**

The ornamental design for a cap holder, as shown and described.

DESCRIPTION

FIG. 1 is a perspective view of the cap holder showing my new design, the broken line showing of a cap being for illustrative purposes only and forming no part of the claimed design;
FIG. 2 is a front view thereof;
FIG. 3 is a back view thereof;
FIG. 4 is a bottom view thereof;
FIG. 5 is a top view thereof;
FIG. 6 is a left side view thereof; and,
FIG. 7 is a right side view thereof.

1 Claim, 3 Drawing Sheets



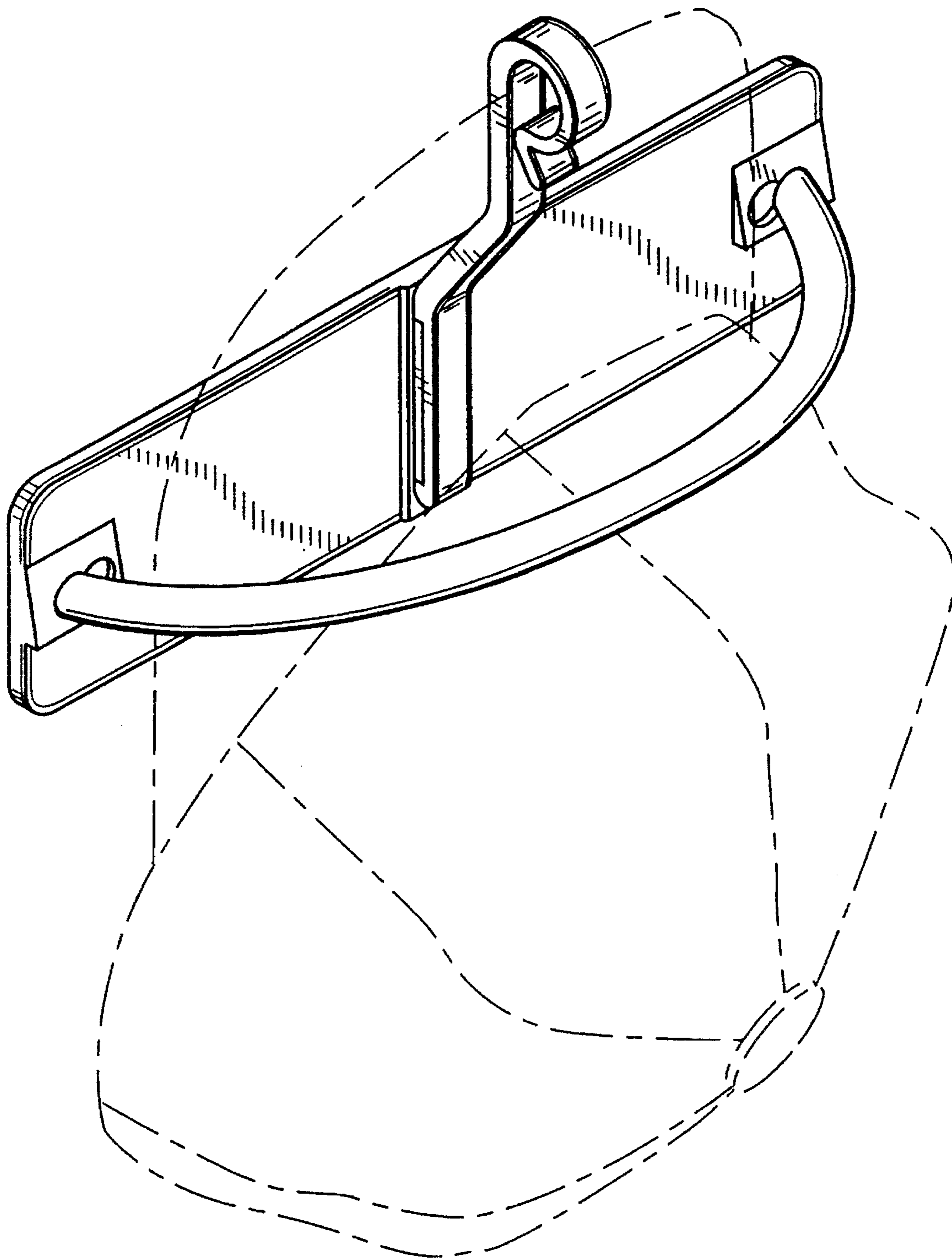


Fig. 1

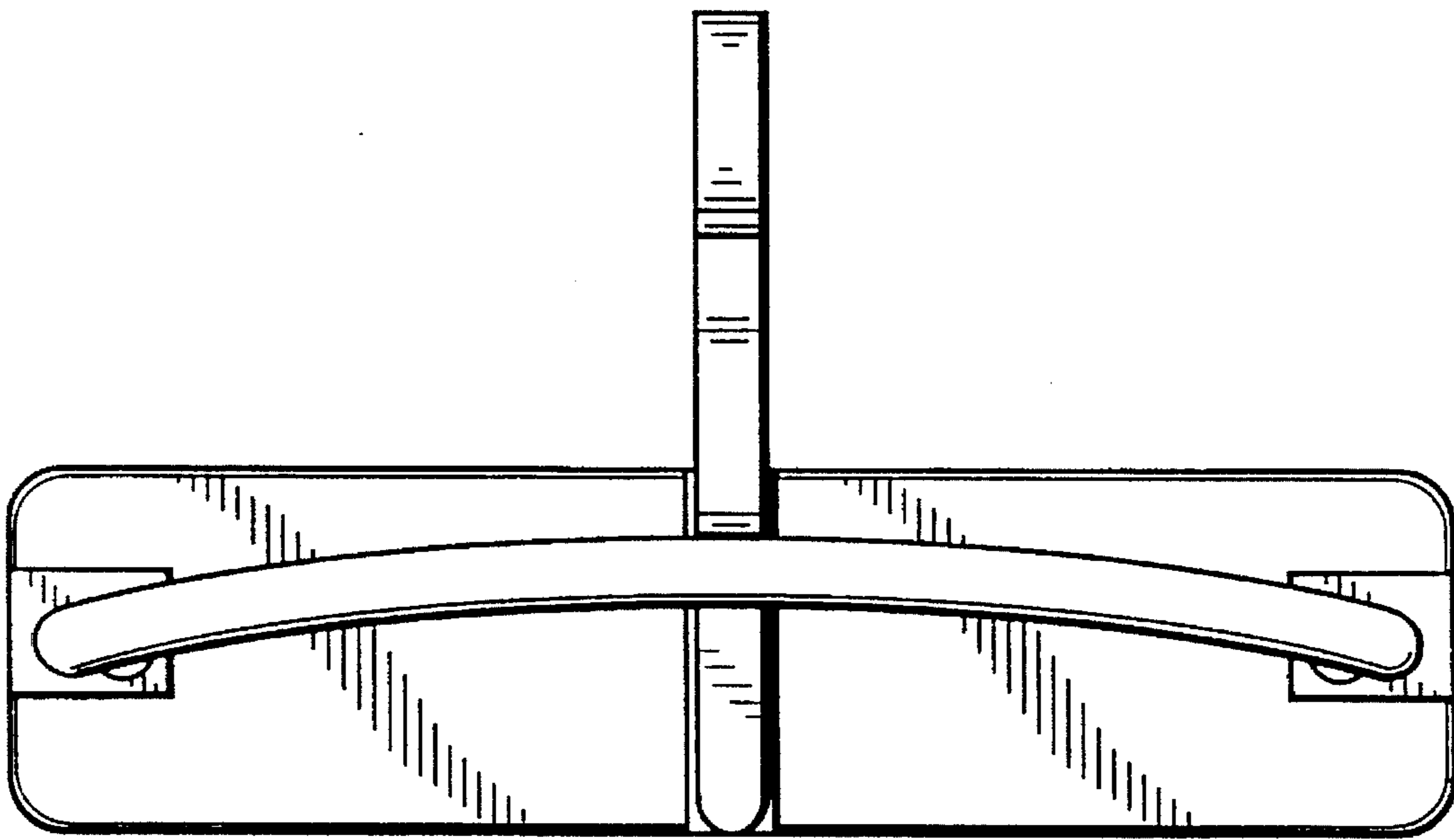


Fig. 2

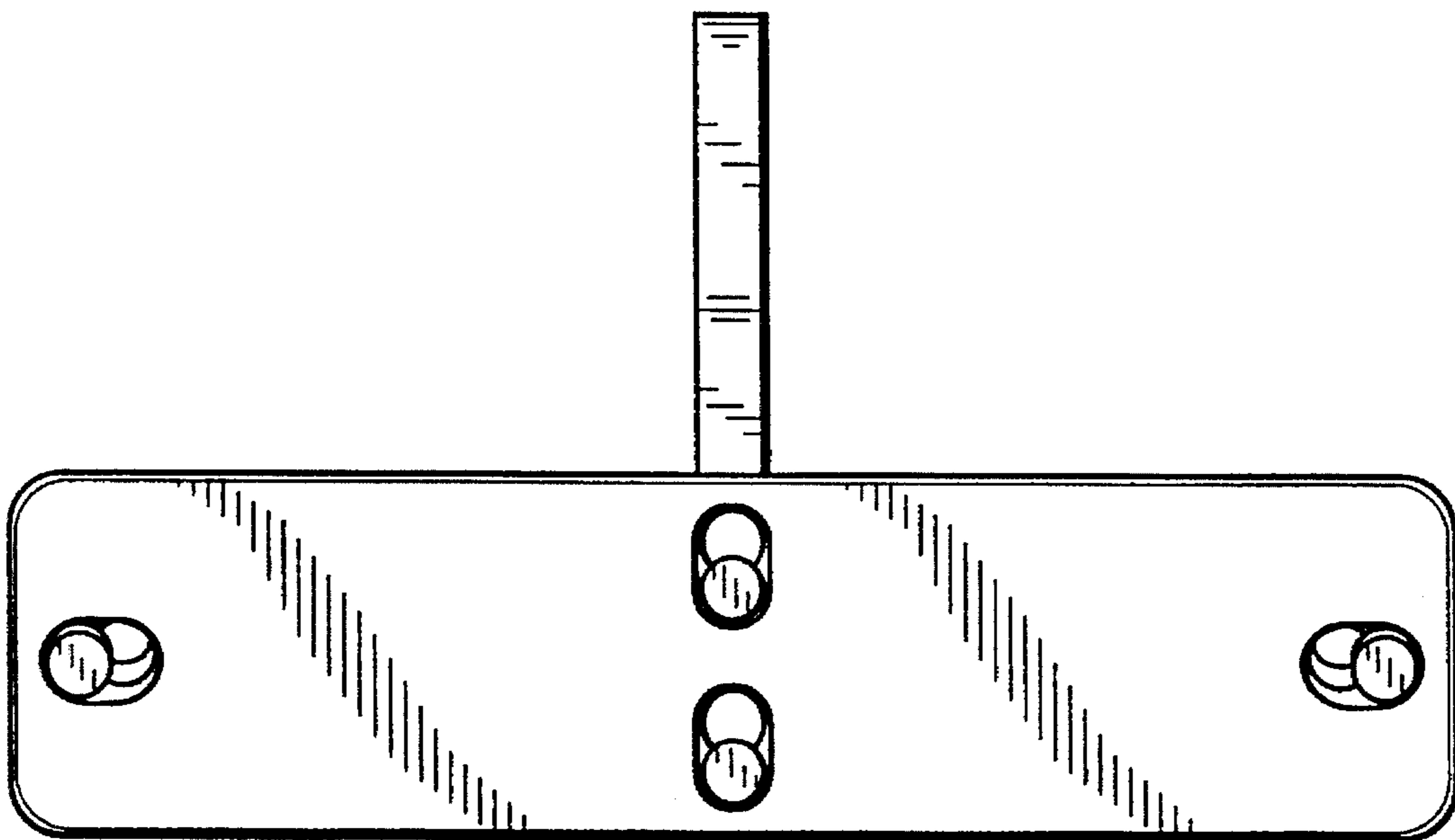


Fig. 3

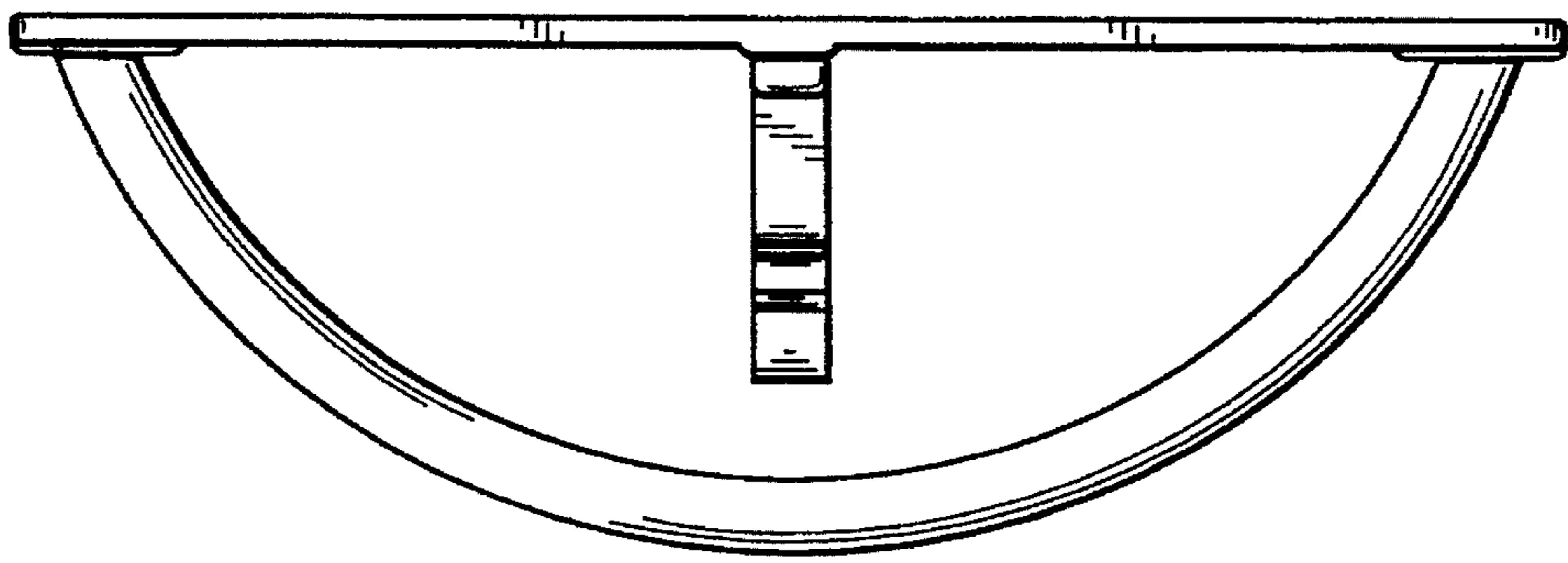


Fig. 4

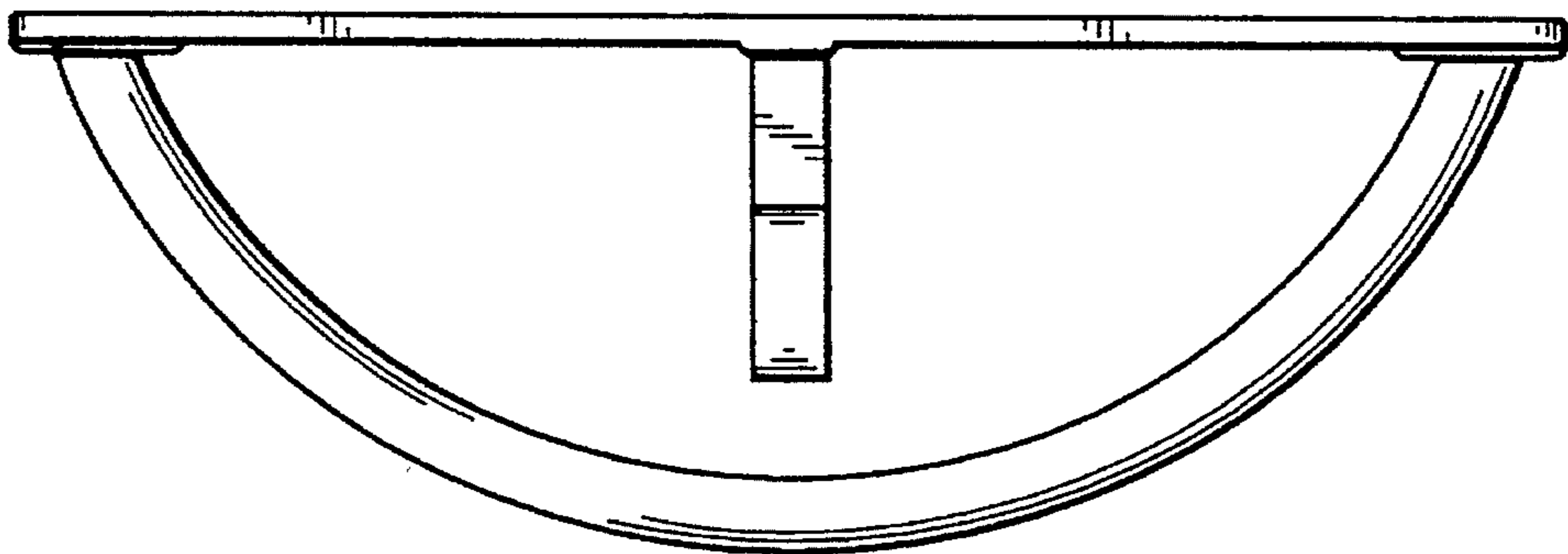


Fig. 5

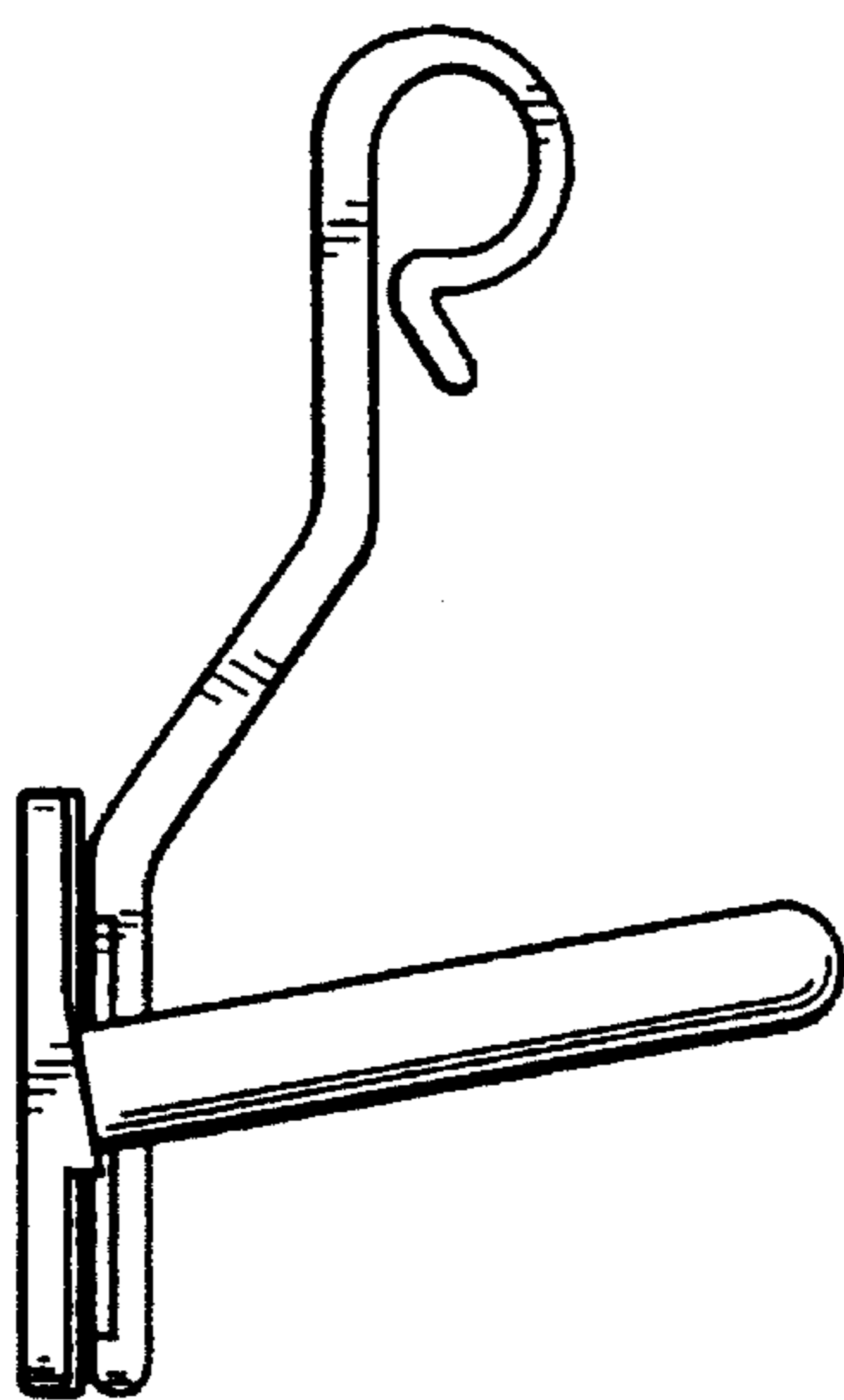


Fig. 6

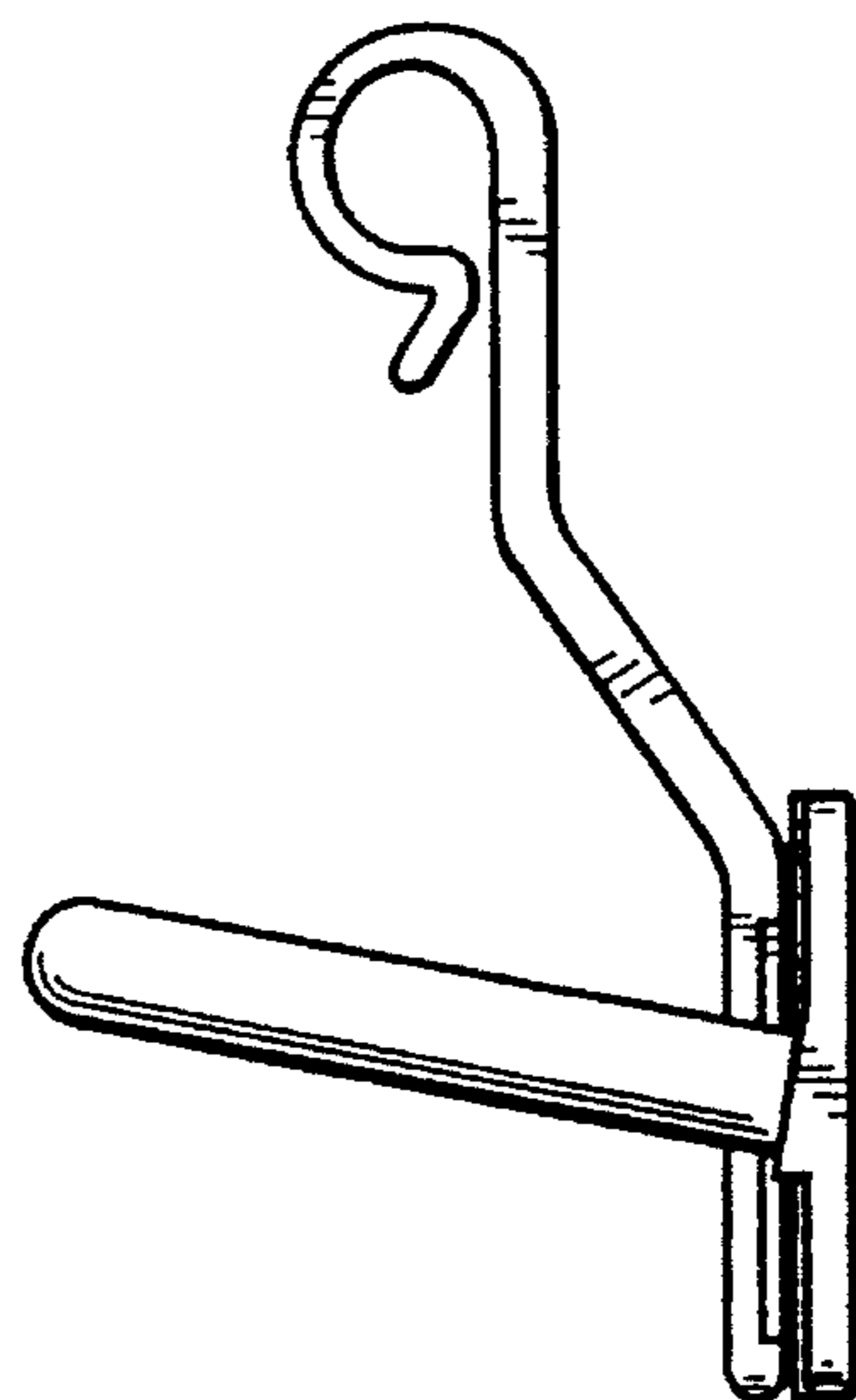


Fig. 7