



US00D368167S

United States Patent [19]
Zeri

[11] **Patent Number: Des. 368,167**

[45] **Date of Patent: **Mar. 26, 1996**

[54] **BOOT HOOK**

3,346,150 10/1967 Clopton D6/327

[76] Inventor: **Romario Zeri**, 4114 Glencoe Ave.,
Marina Del Rey, Calif. 90292

Primary Examiner—B. J. Bullock
Attorney, Agent, or Firm—John S. Christopher

[**] Term: **14 Years**

[57] **CLAIM**

[21] Appl. No.: **36,725**

The ornamental design for a boot hook, as shown and described.

[22] Filed: **Mar. 27, 1995**

DESCRIPTION

[52] U.S. Cl. **D6/317; D6/327**

[58] Field of Search D6/315, 317, 327;
211/34, 113; 223/95

FIG. 1 is a perspective view of a boot hook showing my new design;

FIG. 2 is a right side elevation thereof; the left side elevation being a mirror image thereof;

FIG. 3 is a front elevation thereof;

FIG. 4 is a rear elevation thereof;

FIG. 5 is a top plan view thereof; and,

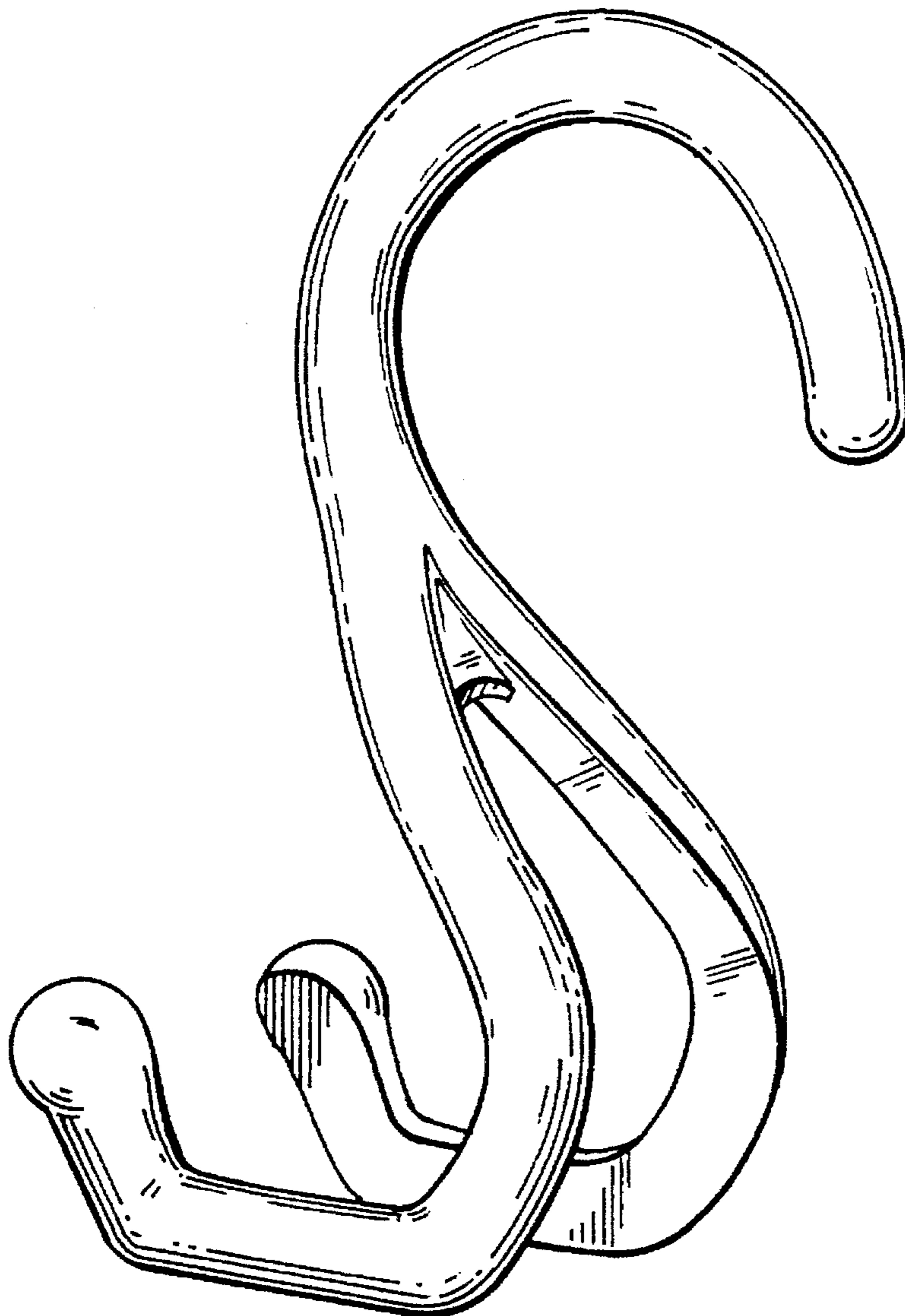
FIG. 6 is a bottom plan view thereof.

[56] **References Cited**

U.S. PATENT DOCUMENTS

283,418	8/1883	Ries	211/34
D. 357,813	5/1995	Koresko	D6/317
3,255,939	6/1966	Buzzelli	223/95
3,343,733	9/1967	Schmednecht	D6/319

1 Claim, 2 Drawing Sheets



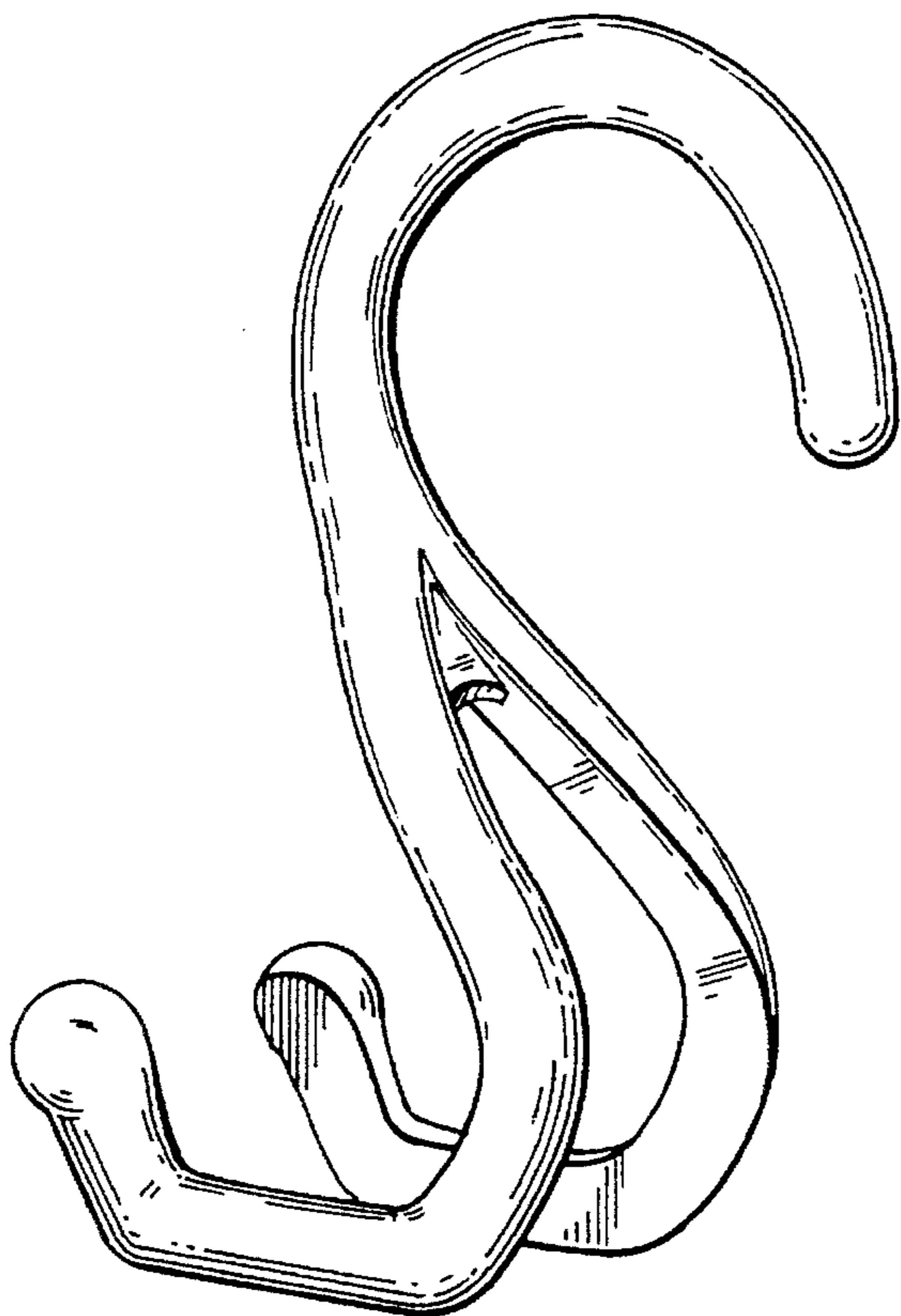


FIG. 1

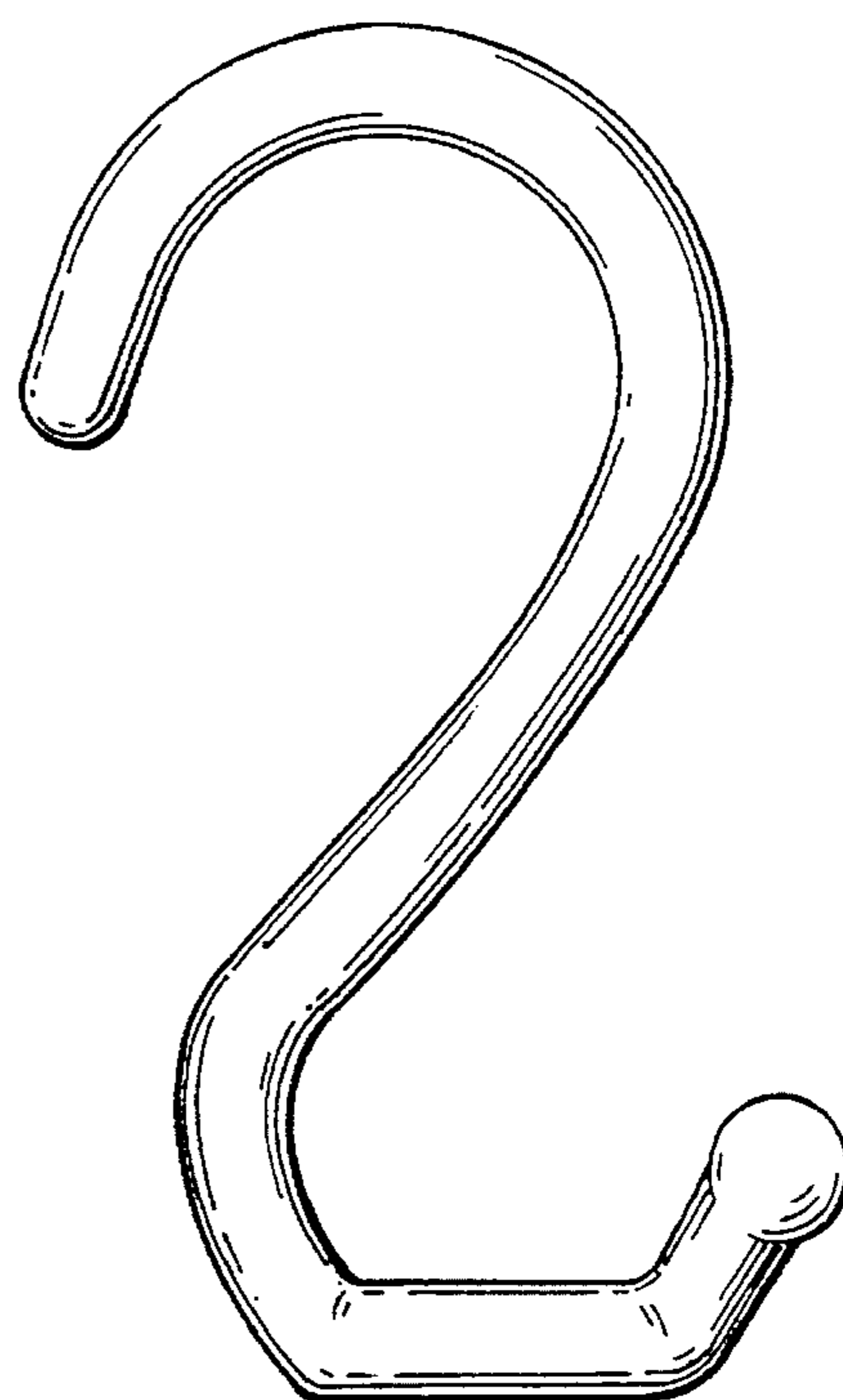


FIG. 2

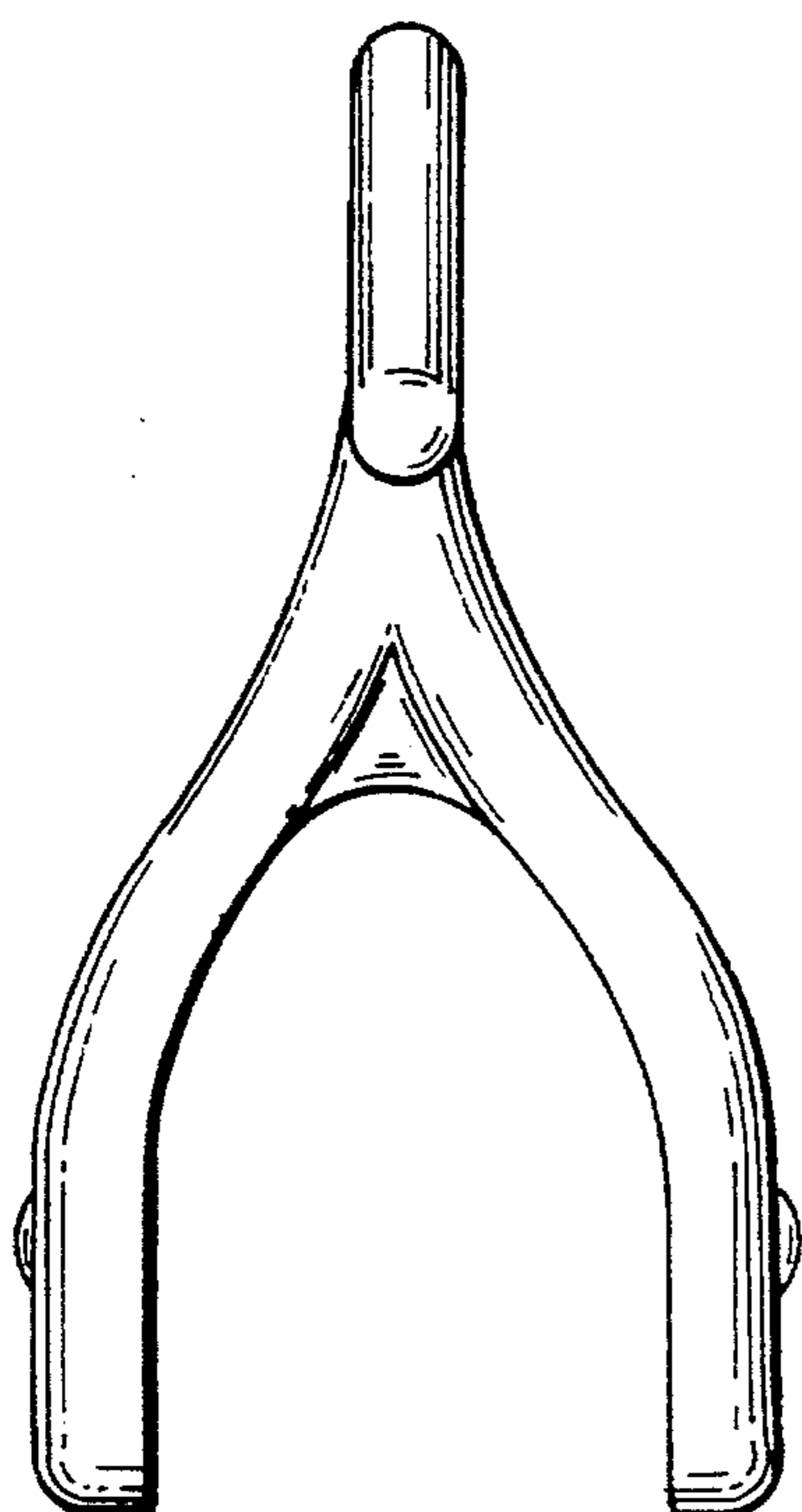


FIG. 3

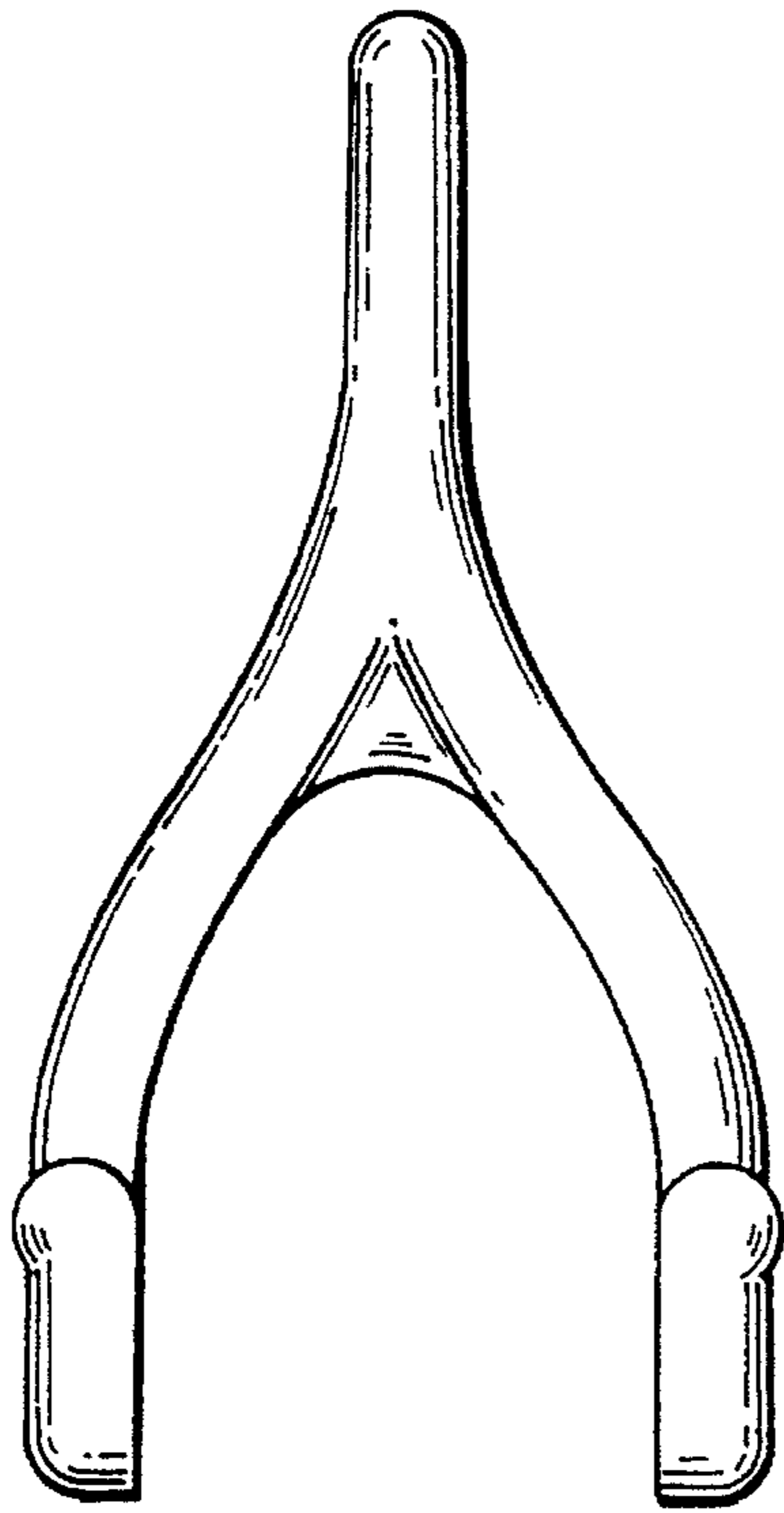


FIG. 4

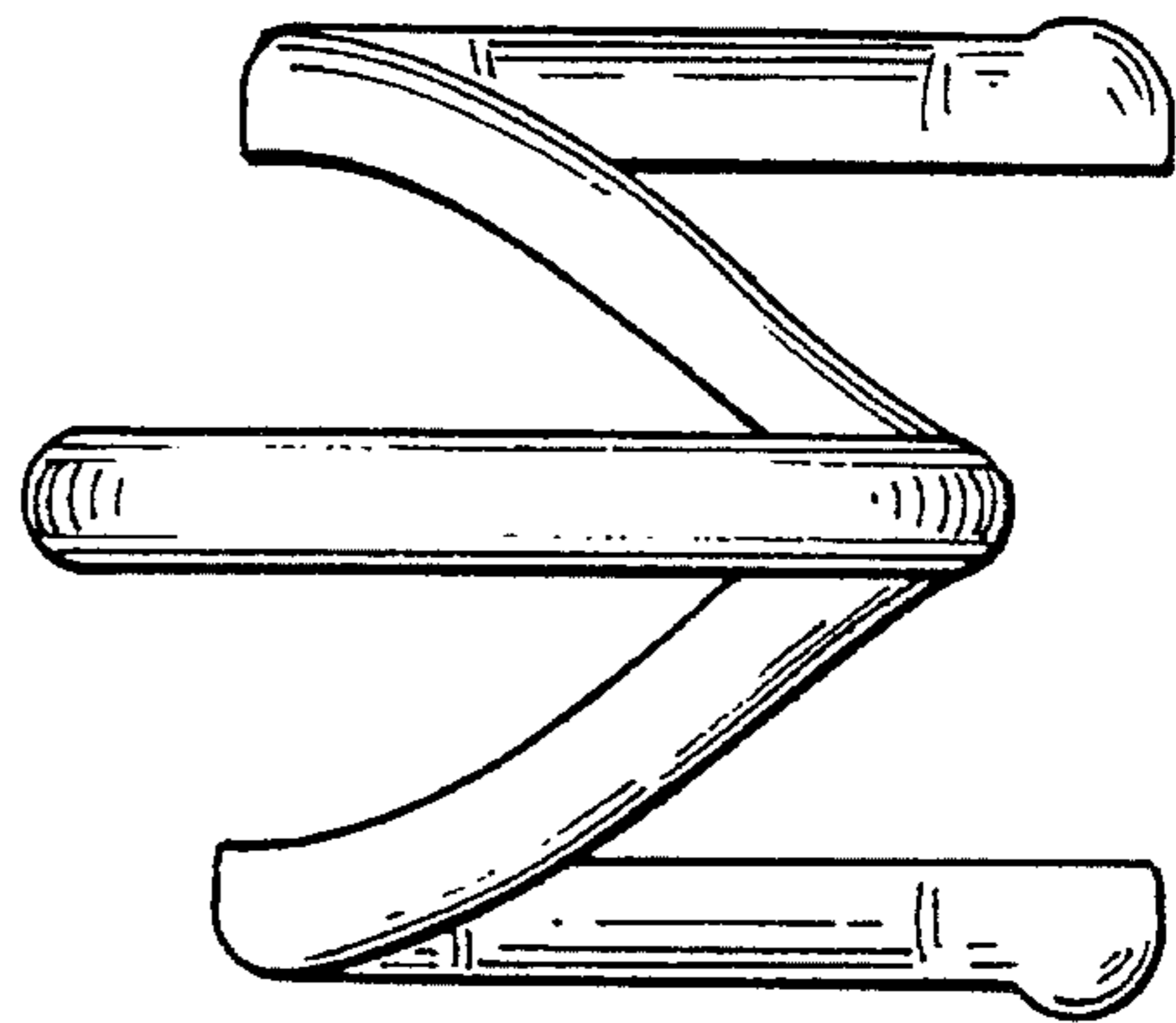


FIG. 5

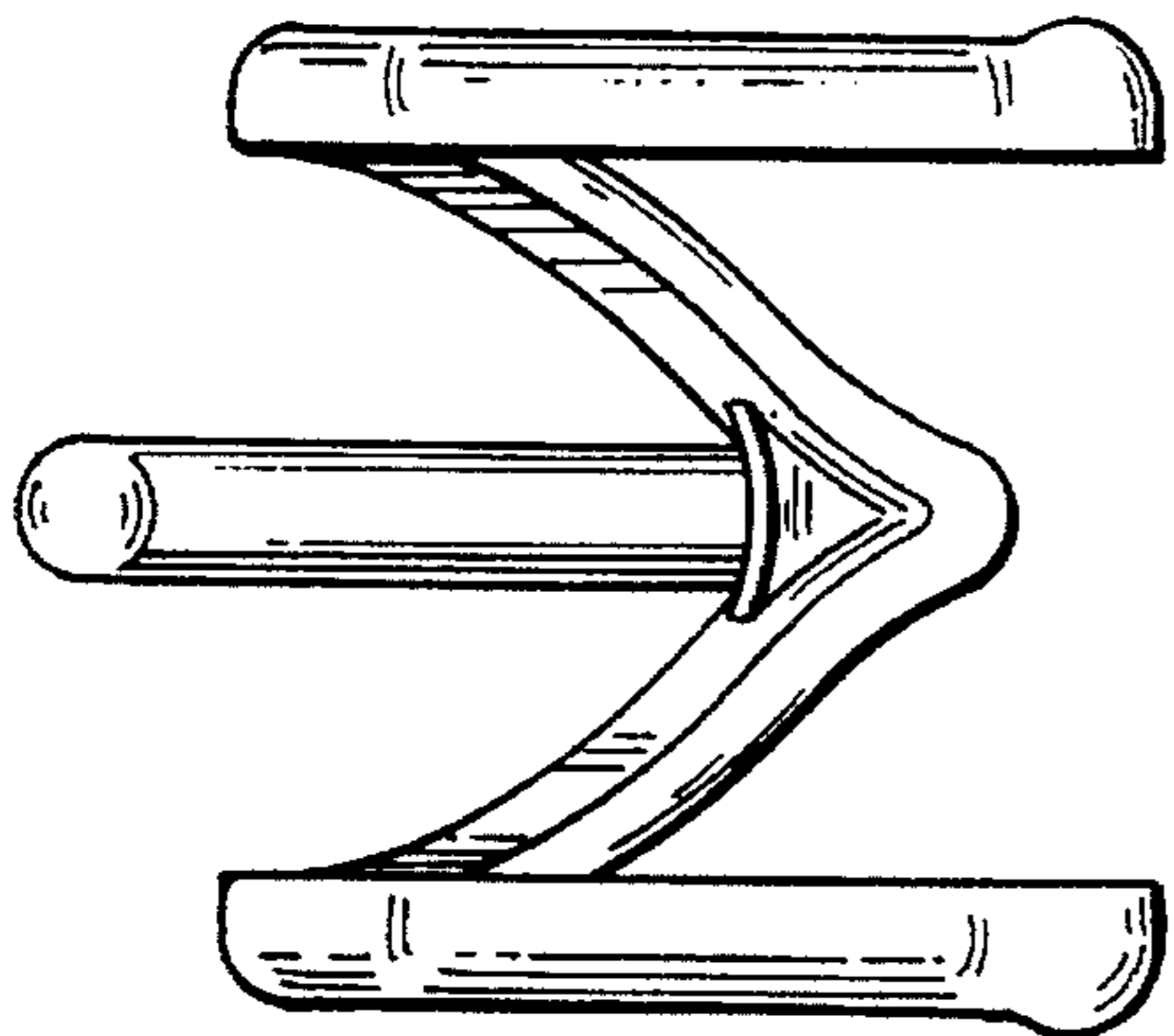


FIG. 6