



US00D368166S

# United States Patent [19] Sacks

[11] Patent Number: Des. 368,166

[45] Date of Patent: \*\*Mar. 26, 1996

[54] TIE HANGER

2,848,114 8/1958 Kruger ..... 211/113  
3,780,875 12/1973 Scholl ..... 211/115

[76] Inventor: Abraham Sacks, 4272 Sandburg Way,  
Irvine, Calif. 92715

Primary Examiner—B. J. Bullock  
Attorney, Agent, or Firm—Blakely Sokoloff Taylor & Zaf-  
man

[\*\*] Term: 14 Years

[21] Appl. No.: 36,215

### [57] CLAIM

The ornamental design for the tie hanger, as shown.

[22] Filed: Mar. 15, 1995

[52] U.S. Cl. .... D6/315; D6/322

### DESCRIPTION

[58] Field of Search ..... D6/315, 513; 211/113,  
211/119; 223/85, DIG. 1

FIG. 1 is a right side view of the tie hanger of the invention,  
the left side being a mirror image;

FIG. 2 is a front view of the tie hanger of FIG. 1;

FIG. 3 is a back view of the tie hanger of FIG. 1;

FIG. 4 is a top view of the tie hanger of FIG. 1; and,

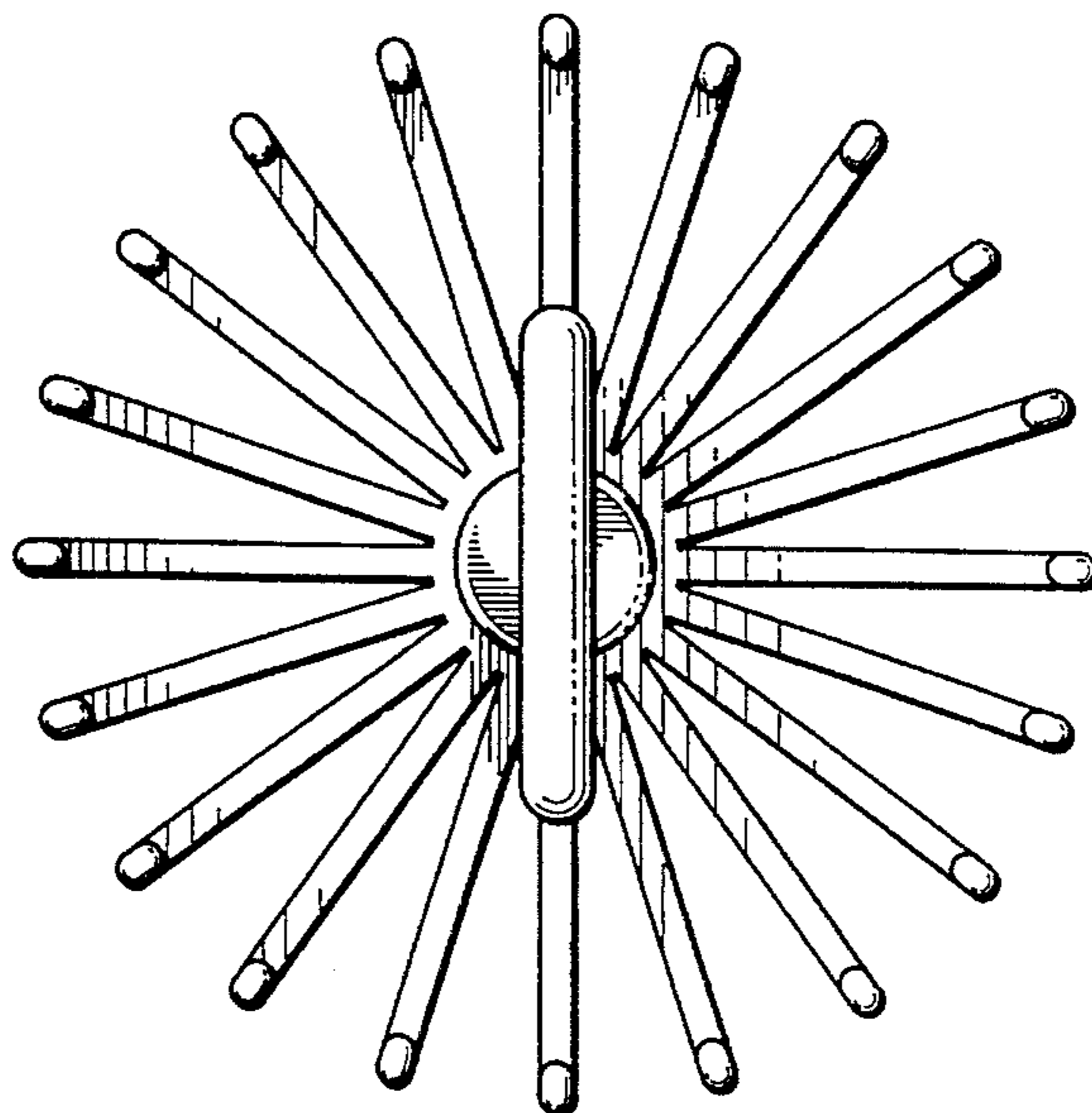
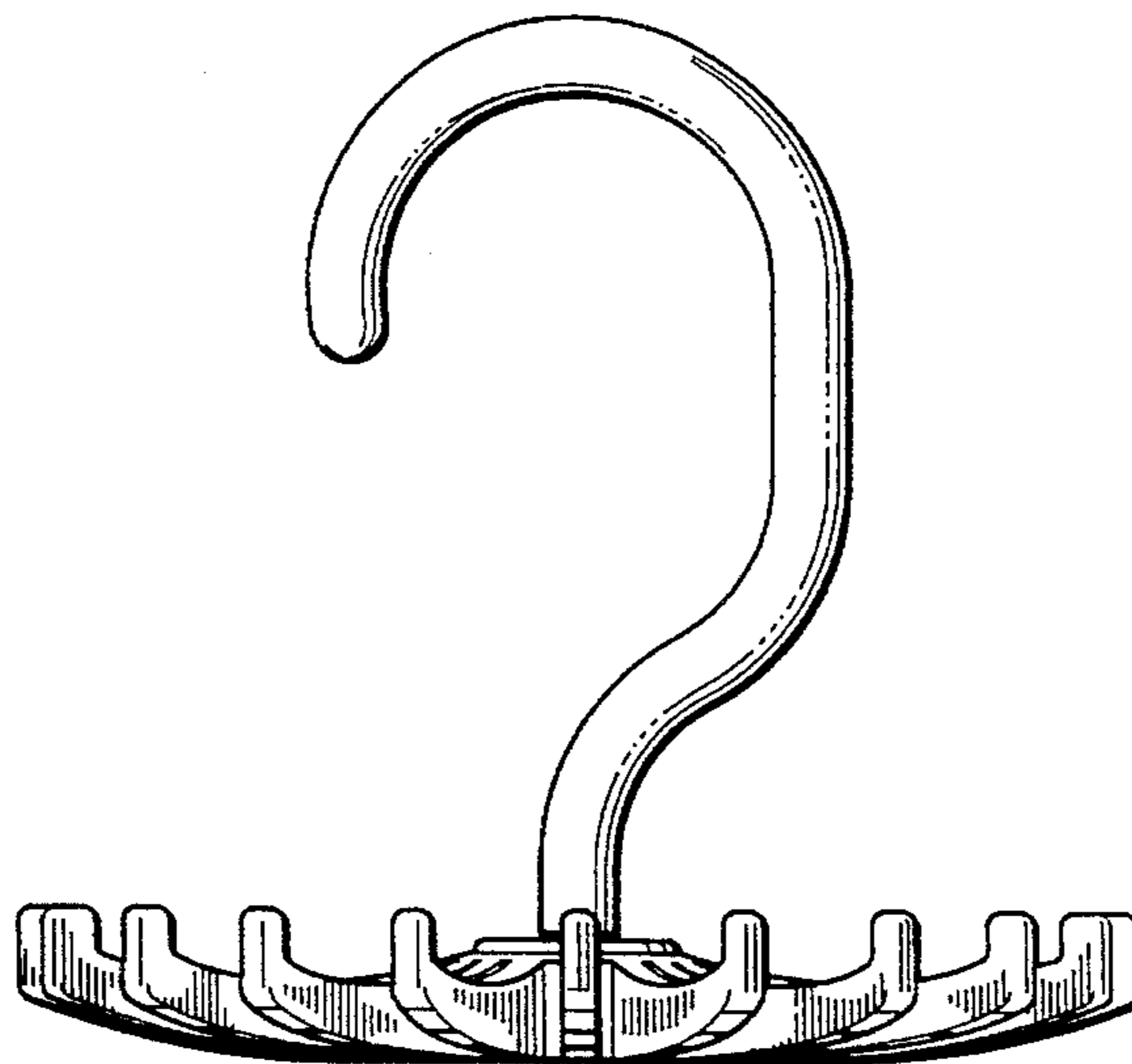
FIG. 5 is a bottom view of the tie hanger of FIG. 1.

### [56] References Cited

#### U.S. PATENT DOCUMENTS

D. 141,134	5/1945	Williams	.....	D6/322
D. 143,348	12/1945	Pestyner	.....	D6/322
D. 196,469	10/1963	Kennedy	.....	D6/315
D. 331,500	12/1992	Davati	.....	D6/315

1 Claim, 3 Drawing Sheets



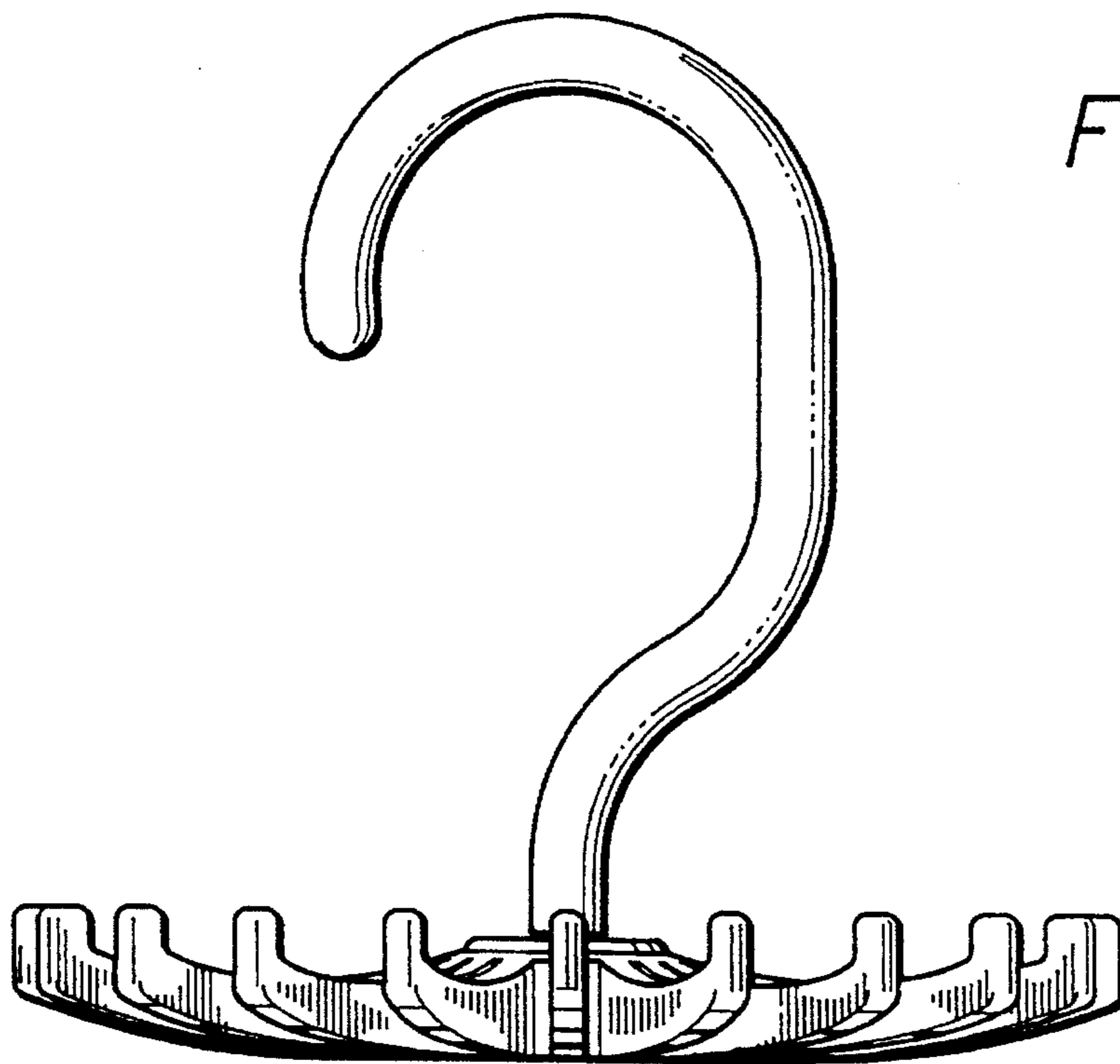


FIG. 1

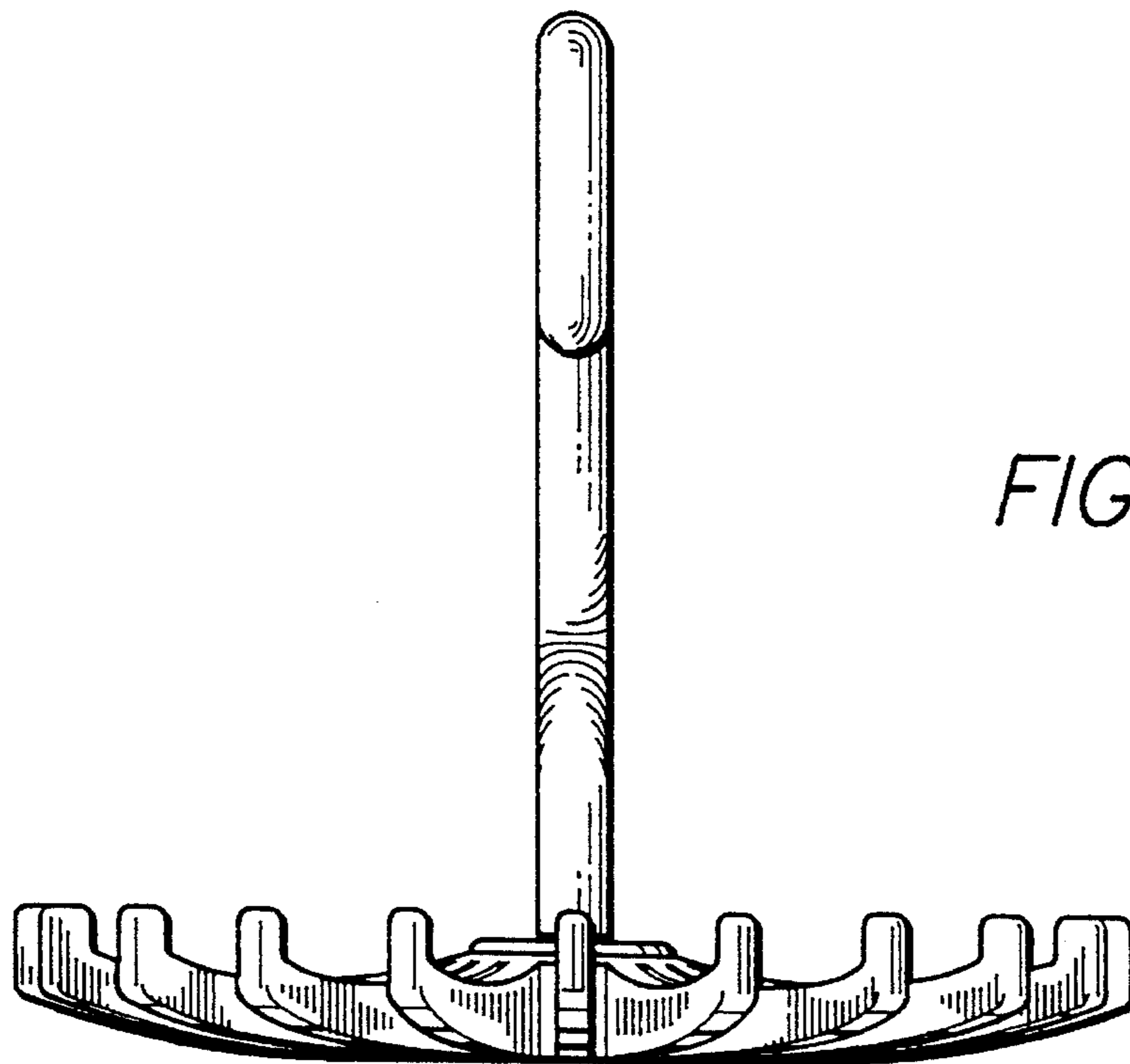


FIG. 2

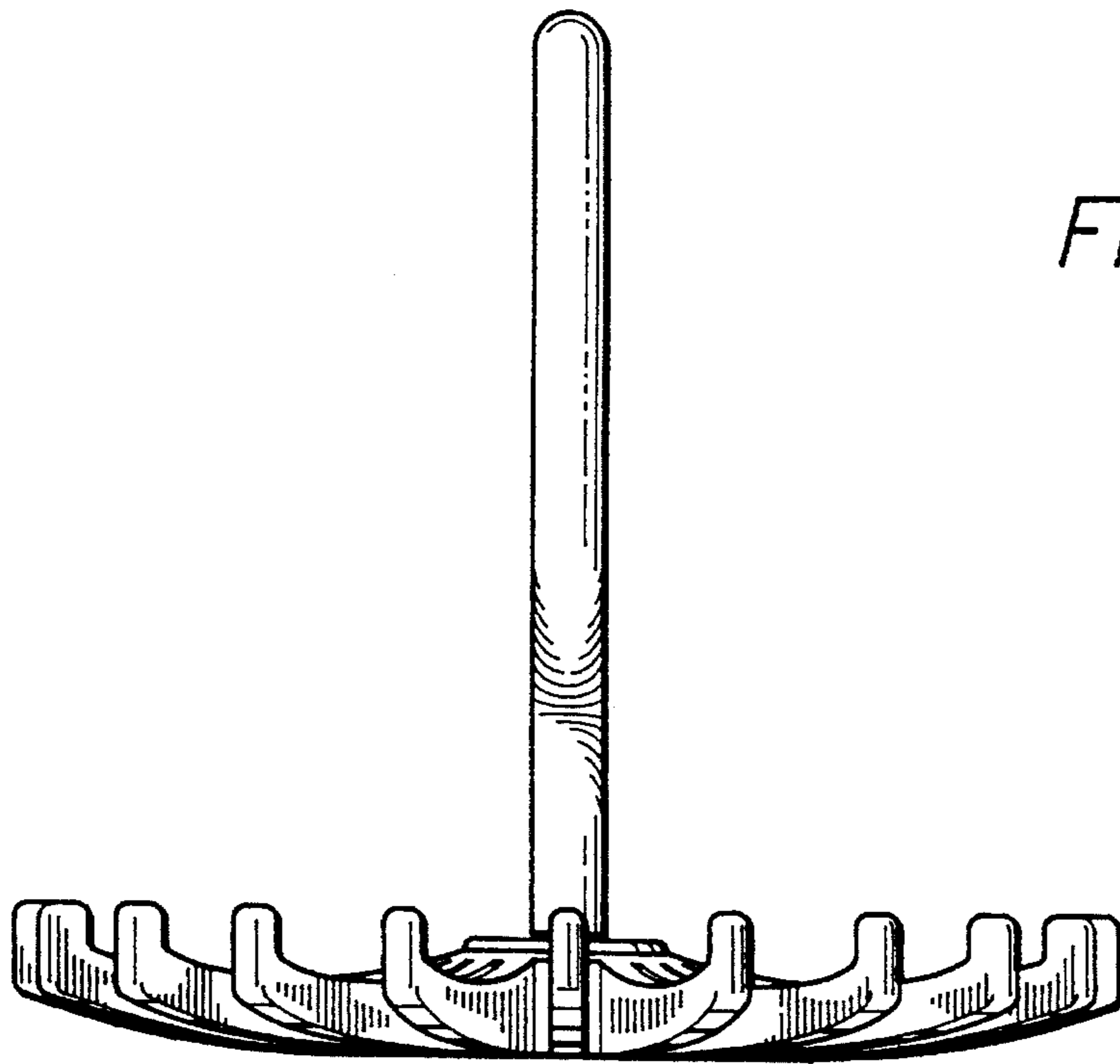


FIG. 3

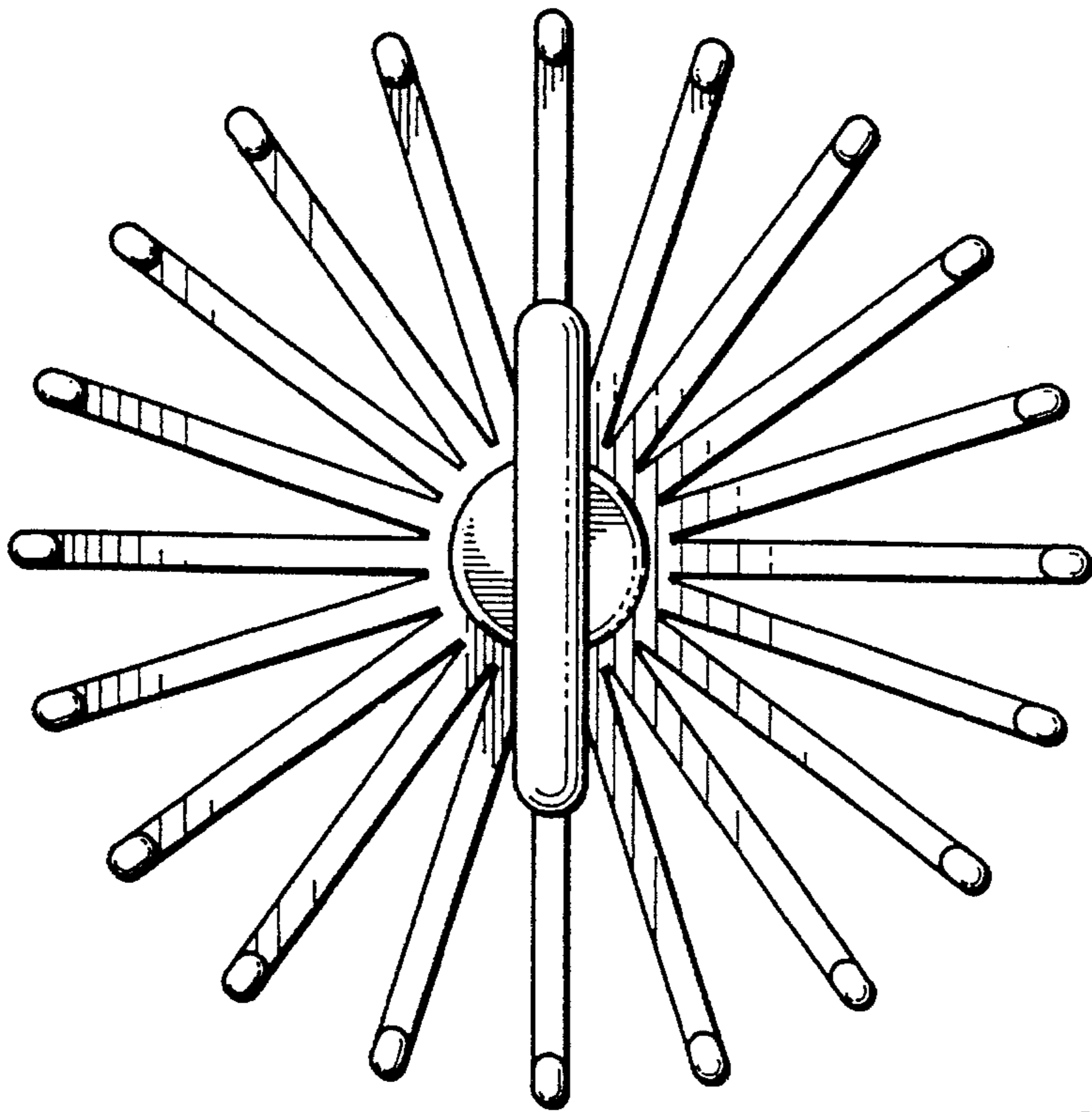


FIG. 4

FIG. 5

