



US00D368164S

United States Patent [19]
Reeder

[11] **Patent Number: Des. 368,164**

[45] **Date of Patent: **Mar. 26, 1996**

[54] **BROOM SHROUD**

4,756,039 7/1988 Pardo 15/160
5,010,616 4/1991 Berti 15/171 X

[75] Inventor: **Paul A. Reeder**, Columbus, Ohio

[73] Assignee: **Vining Industries, Inc.**, Springfield, Ohio

Primary Examiner—A. Hugo Word
Assistant Examiner—Cynthia E. Ramirez
Attorney, Agent, or Firm—Biebel & French

[**] Term: **14 Years**

[57] **CLAIM**

[21] Appl. No.: **42,259**

The ornamental design for a broom shroud, as shown and described.

[22] Filed: **Aug. 4, 1995**

DESCRIPTION

[52] **U.S. Cl.** **D4/199; D32/50; D4/132**

[58] **Field of Search** D32/35, 50, 51,
D32/52; 15/159.1, 160, 171, 172, 176.1,
176.3, 176.4; D4/132, 135, 199

FIG. 1 is a perspective view of a broom shroud illustrating the present invention;

FIG. 2 is a top plan view thereof;

FIG. 3 is a right end elevational view thereof;

FIG. 4 is a rear side elevational view thereof;

FIG. 5 is a left end elevational view thereof;

FIG. 6 is a front side elevational view thereof; and,

FIG. 7 is a bottom plan view thereof.

The broken line showing of broom bristles in all the figures is for illustrative purposes only and forms no part of the claimed design.

[56] **References Cited**

U.S. PATENT DOCUMENTS

D. 282,112	1/1986	Maust et al.	D32/50
D. 293,165	12/1987	Machacek	D32/50 X
D. 315,250	3/1991	Lapin	D32/50 X
D. 315,451	3/1991	Lapin	D32/50 X
D. 332,701	1/1993	Berti	D32/50 X
4,385,411	5/1983	Clark	15/171 X

1 Claim, 4 Drawing Sheets

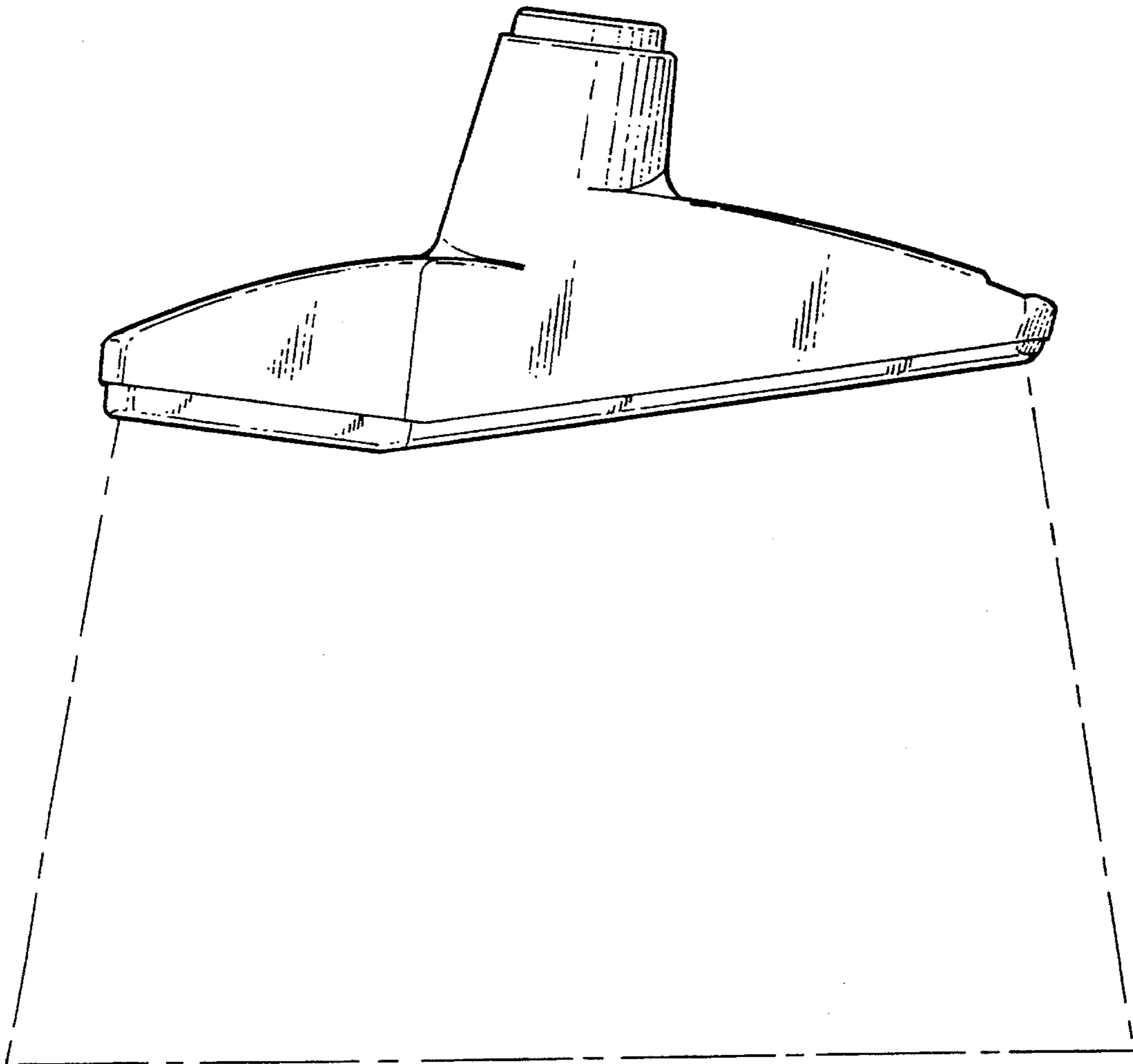
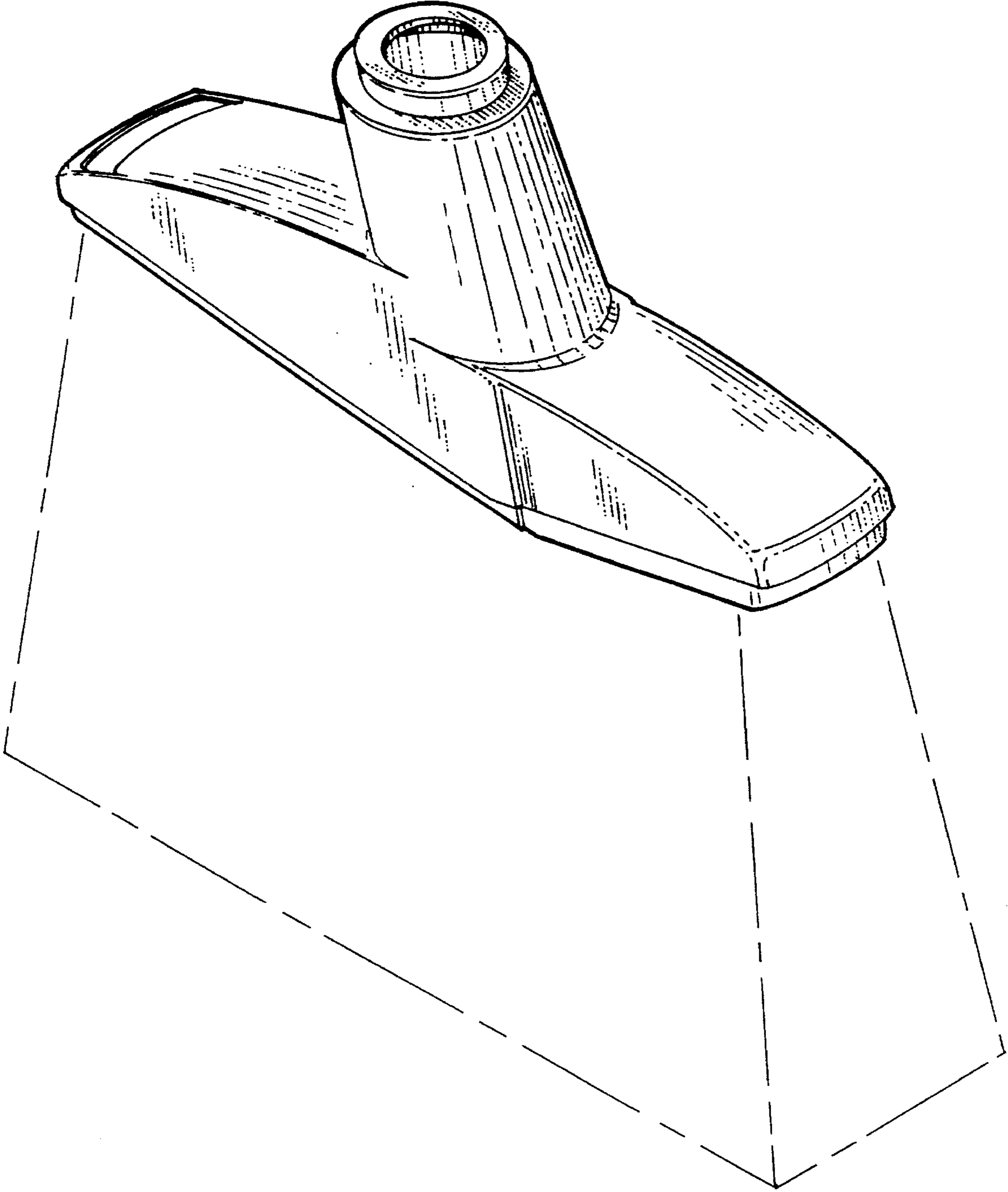


FIG -1



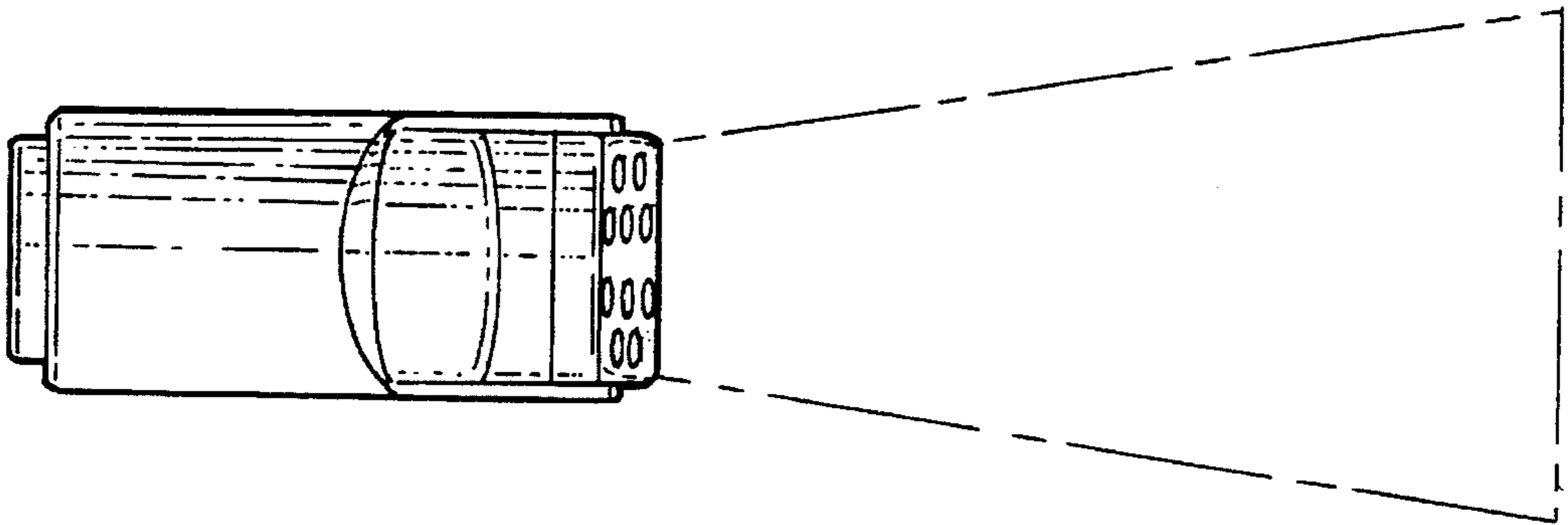


FIG-3

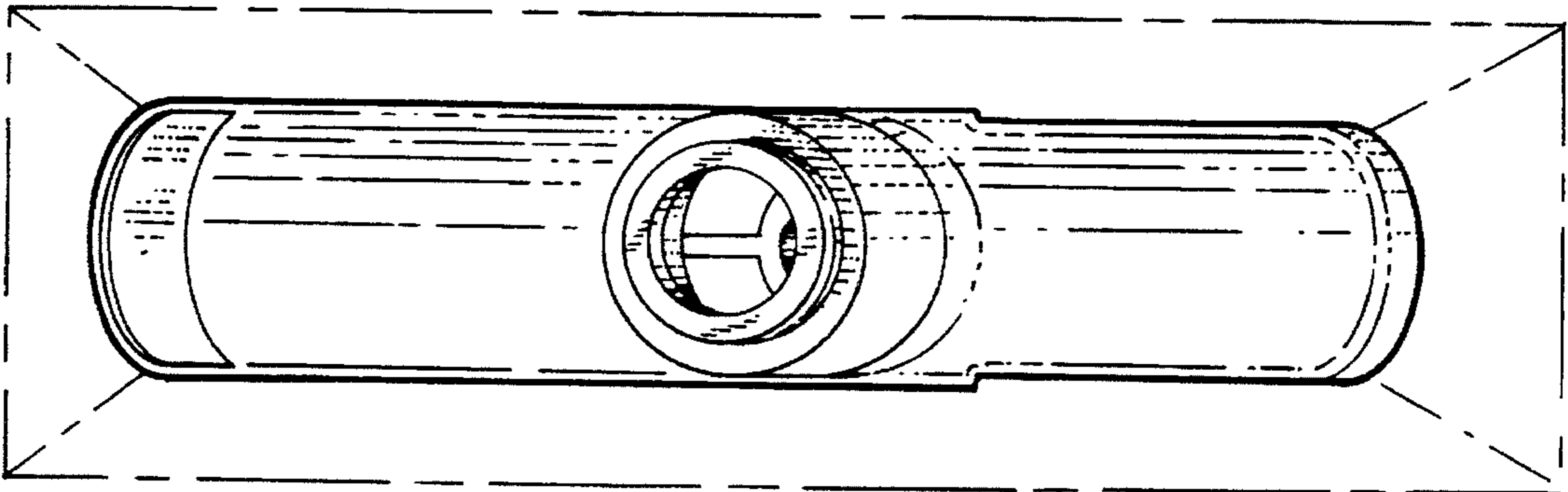


FIG-2

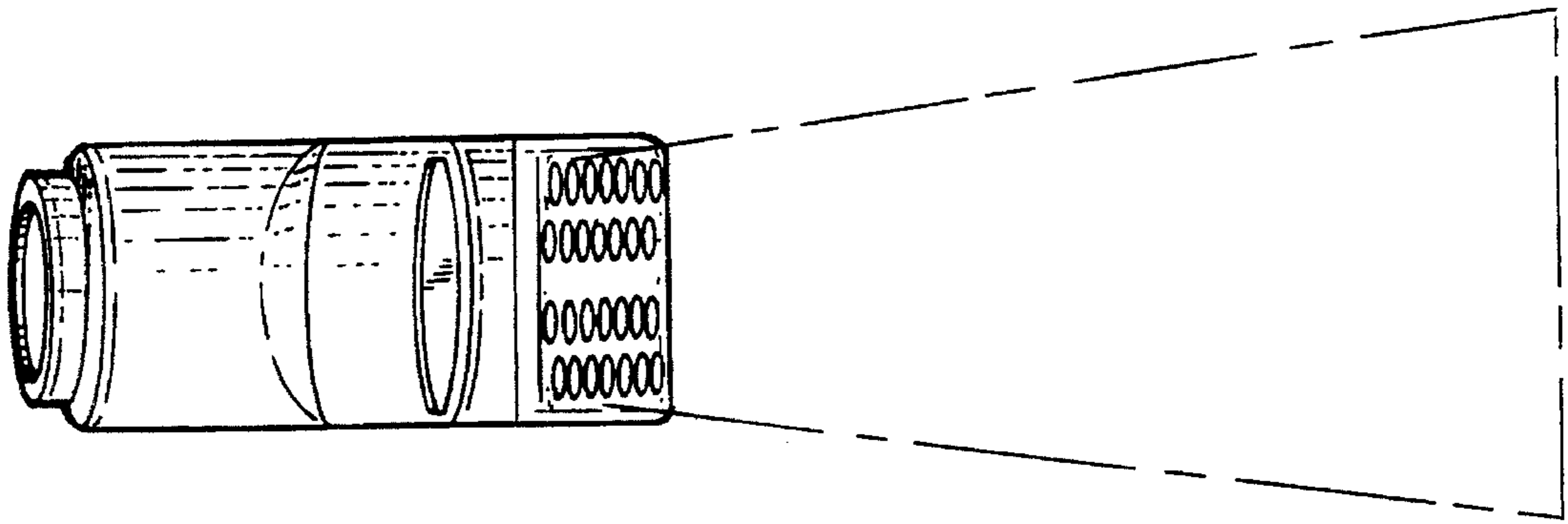


FIG - 5

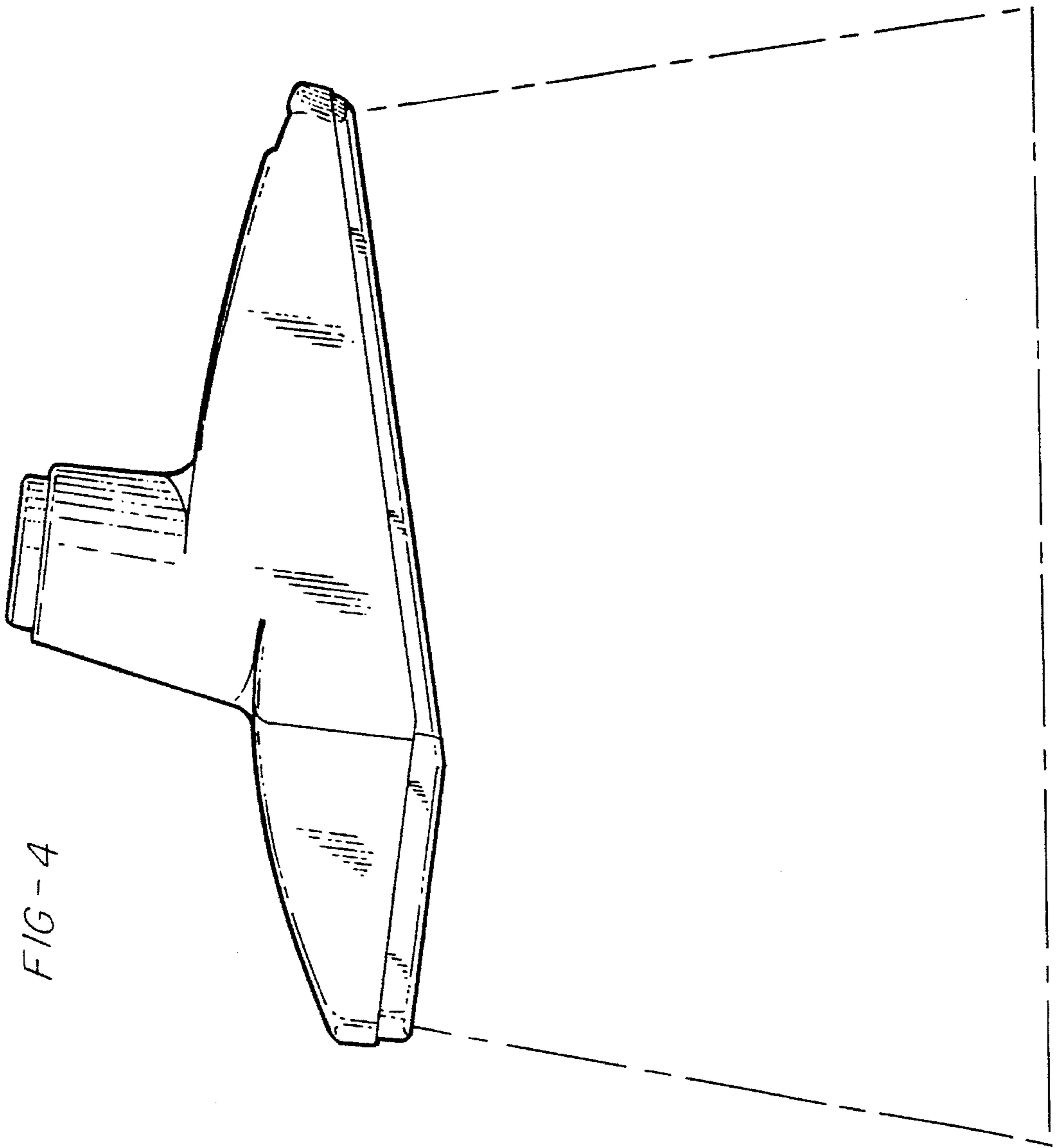


FIG - 4

FIG - 6

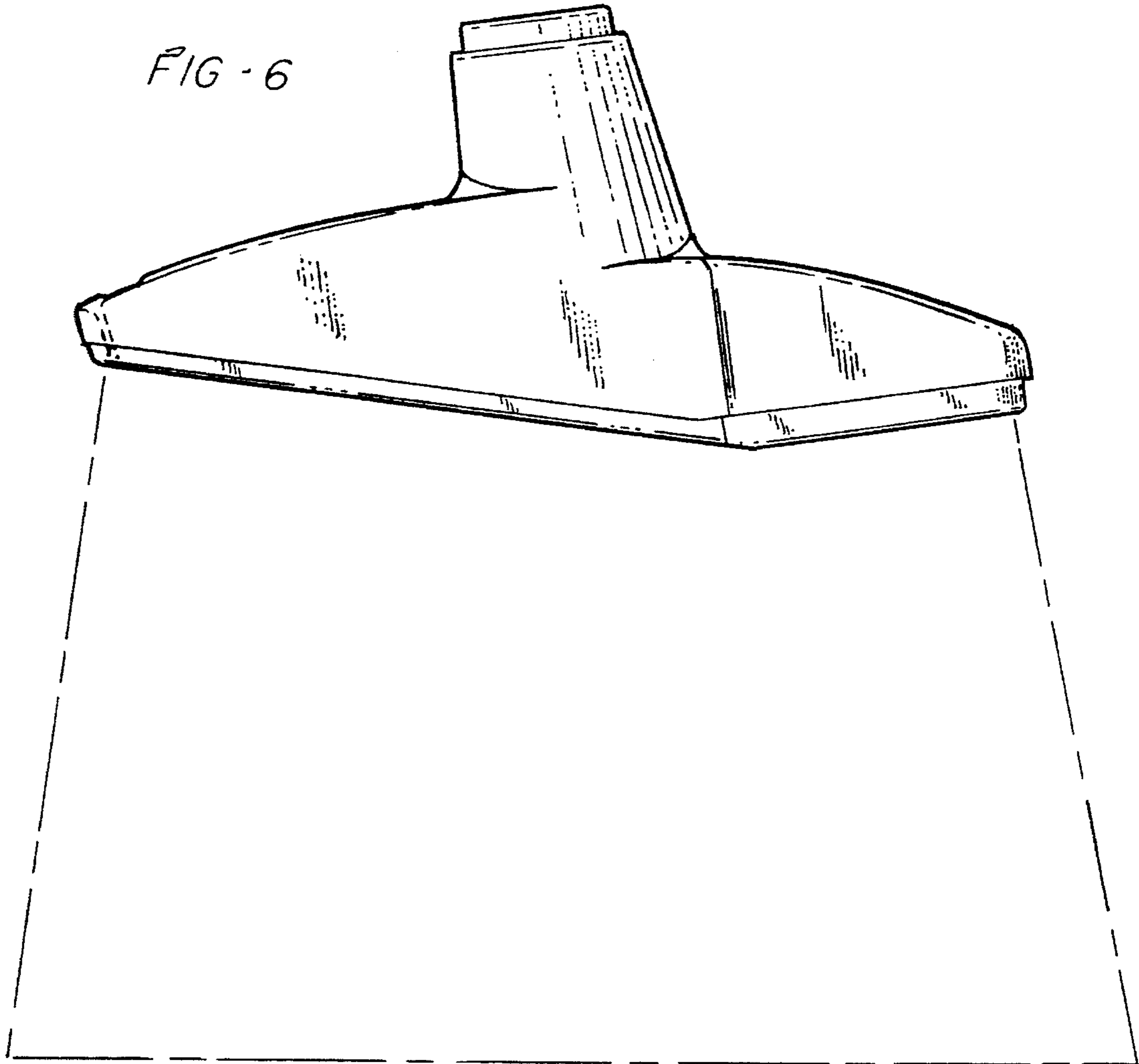


FIG - 7

