



US00D368162S

United States Patent [19]

[11] Patent Number: **Des. 368,162**

Miller

[45] Date of Patent: ****Mar. 26, 1996**

[54] **LID FOR STORAGE CONTAINER**

[75] Inventor: **D. Scott Miller, Orlando, Fla.**

[73] Assignee: **Rubbermaid Incorporated, Wooster, Ohio**

[**] Term: **14 Years**

[21] Appl. No.: **32,284**

[22] Filed: **Dec. 15, 1994**

[52] U.S. Cl. **D3/326; D3/323; D9/435**

[58] Field of Search **D3/201, 221, 272, D3/273, 276, 279, 282, 288, 294, 318, 319, 323, 326; 206/374, 503, 508, 512, 561, 806; 220/306, 334, 337, 338, 342, 503, 528, 555; D9/425, 432, 435, 436, 443; D7/391, 392.1**

[56] **References Cited**

U.S. PATENT DOCUMENTS

D. 238,051	12/1975	Fier	D9/240
D. 238,148	12/1975	Dilot	D9/219
D. 246,828	1/1978	White	D9/267
D. 249,930	10/1978	Seager	D9/219
D. 258,723	3/1981	Cornou	D7/76
D. 283,666	5/1986	Holzkopf	D9/425 X
D. 286,937	11/1986	Schafer	D34/43
D. 291,388	8/1987	Seguin	D3/279 X
D. 302,774	8/1989	Murphy	D7/76
D. 319,016	8/1991	Kahl	D9/424
D. 321,456	11/1991	Wolff	D9/435 X
D. 328,425	8/1992	Brightbill	D9/425
D. 329,747	9/1992	Embree	D3/78
D. 330,161	10/1992	Schuh	D9/423
D. 330,329	10/1992	Brightbill	D9/424
D. 339,471	9/1993	Maple et al.	D3/78
D. 342,609	12/1993	Brightbill	D3/78
D. 347,324	5/1994	Dickinson	D3/272
D. 348,394	7/1994	Dreyer	D9/425
D. 348,834	7/1994	Wardell, Jr.	D9/435
D. 349,646	8/1994	Dickinson	D9/423
D. 355,118	2/1995	Dickinson	D9/425
D. 355,765	2/1995	Miller	D3/318
D. 355,766	2/1995	Miller	D3/319
D. 356,256	3/1995	Romanoff	D9/425

2,767,878	10/1956	Brown	220/45
3,351,227	11/1967	Collie	220/60
3,419,184	12/1968	Asenbauer	220/97
3,938,688	2/1976	Ryan	220/23.8
3,987,829	10/1976	Leone	150/0.5
4,499,997	2/1985	Swingley	206/590
5,366,104	11/1994	Armstrong	220/339

OTHER PUBLICATIONS

Caldor Advertisement, pre. 1993, p. 7, "Tucker Household Helpers, C", Top center of page.
Rubbermaid Conquers Space Cat., "#2214 Roughneck Container Lid," left center of page.
 Catalog page, Tote bins; Sterilite Corporation, P.O. Box 524, Main Street, Townsend, Mass. Publication date 1990.
 Sell sheet, Containers; Sterilite Corporation, P.O. Box 524, Main Street, Townsend, Mass. Publication date 1991.
 Sell sheet, Tote containers; Tucker Housewares, 25 Tucker Drive, Leominster, Mass. 01453. Published at least as early as 1991.
 Label, Container; Contico Manufacturing Company, 1101 Warson Road, St. Louis, Mo. 63132. Published at least as early as May, 1993.
 Catalog page, Containers; Rubbermaid Incorporated, 1147 Akron Road, Wooster, Ohio 44691. Publication date 1994.

Primary Examiner—Louis S. Zarfes
Assistant Examiner—Monica A. Hannon
Attorney, Agent, or Firm—Richard B. O'Planick; Lisa B. Riedesel

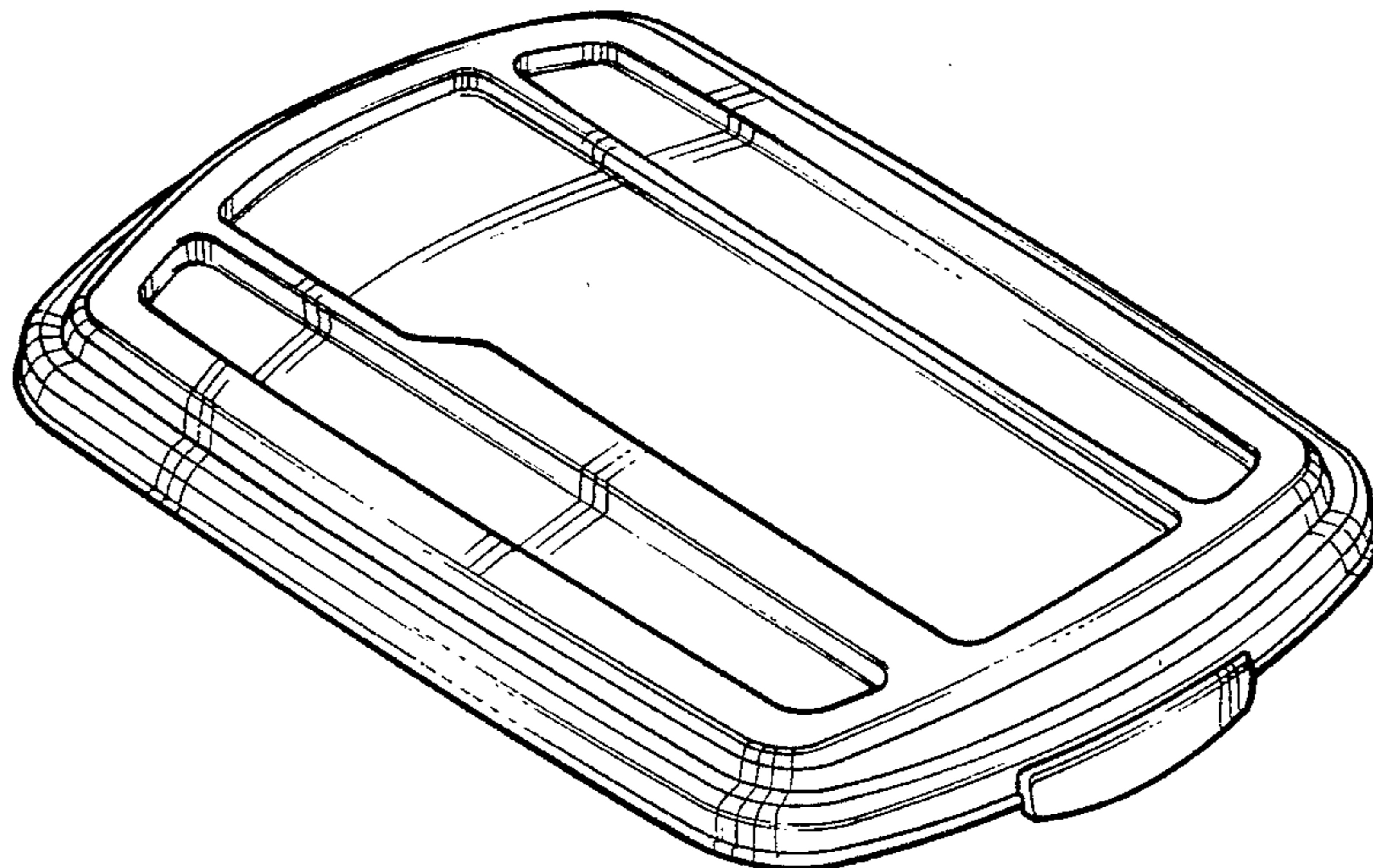
[57] **CLAIM**

The ornamental design for a lid for storage container, as shown and described.

DESCRIPTION

FIG. 1 is a top right front perspective view of a lid for storage container showing my new design;
 FIG. 2 is a top plan view thereof;
 FIG. 3 is a right side elevational view thereof; the left side elevational view being a mirror image;
 FIG. 4 is a front elevational view thereof; the rear elevational view being a mirror image; and,
 FIG. 5 is a bottom plan view thereof.

1 Claim, 2 Drawing Sheets



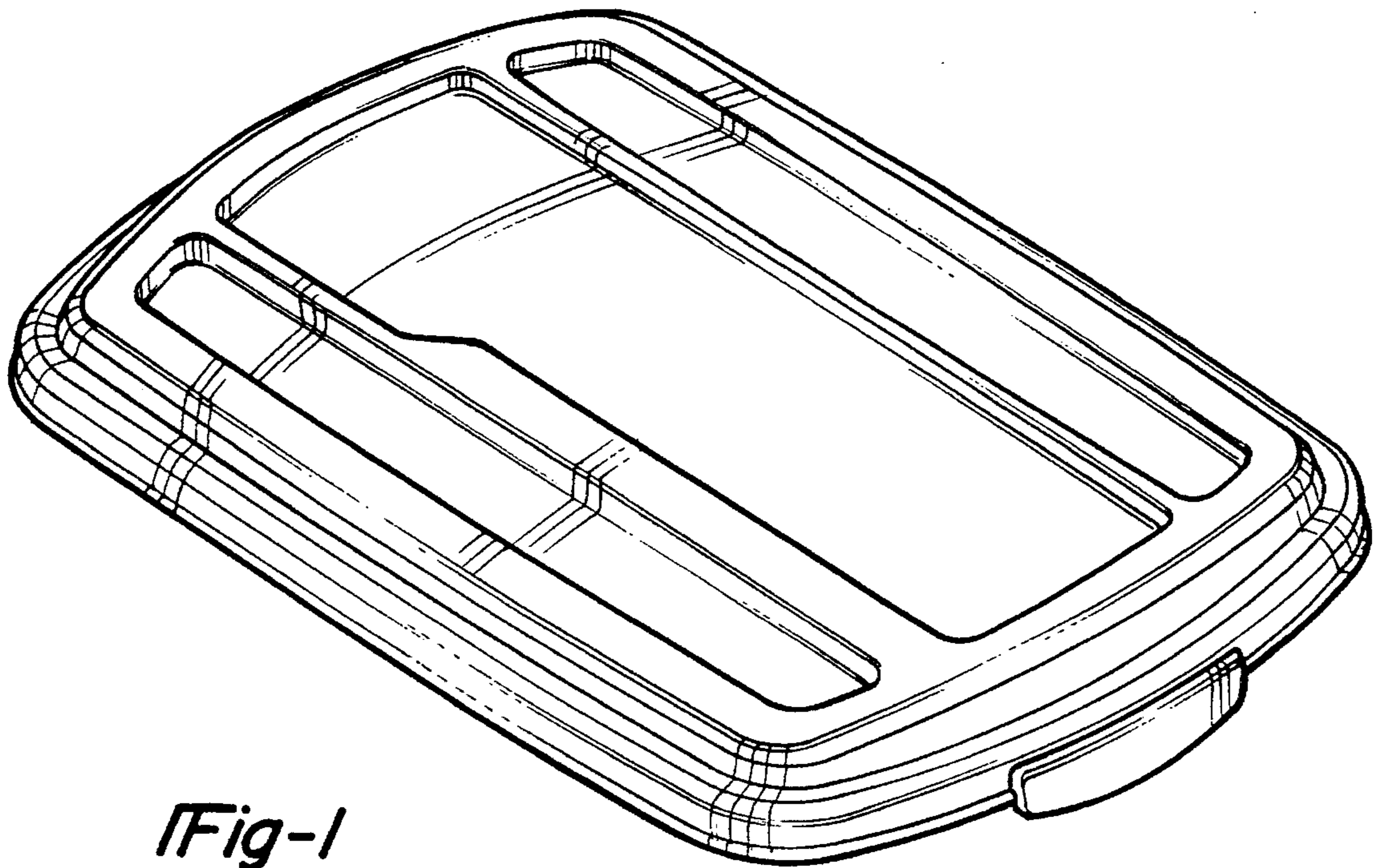


Fig-1

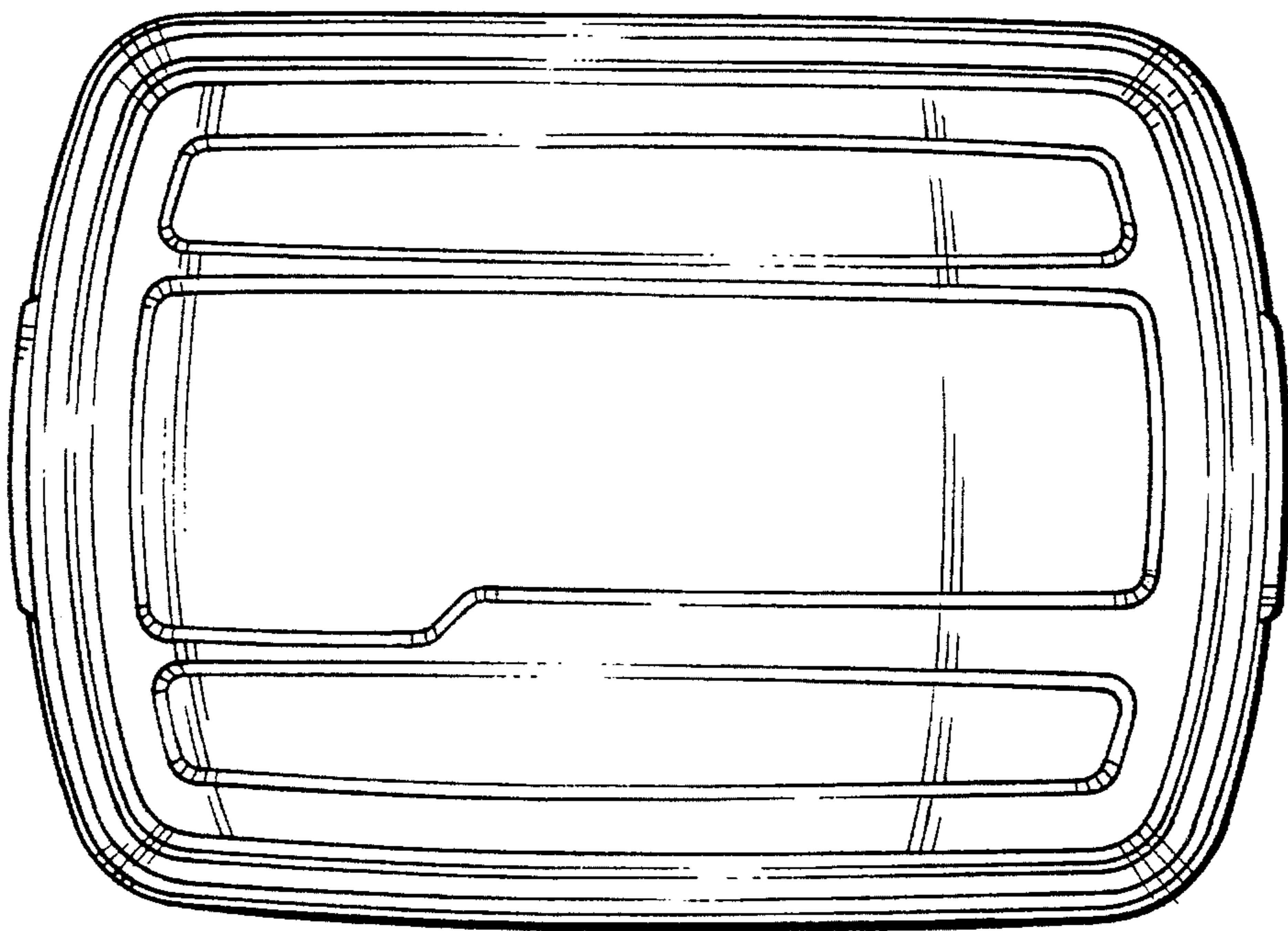


Fig-2

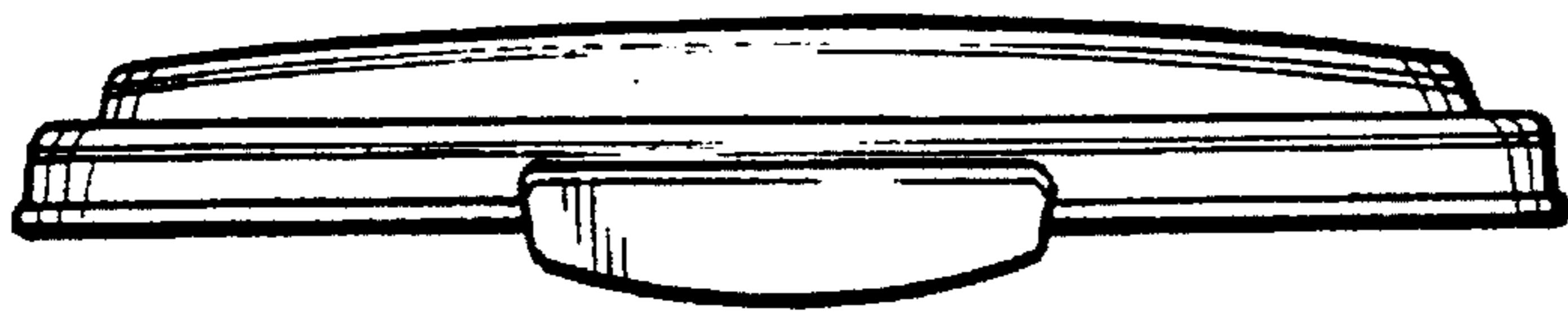


Fig-3

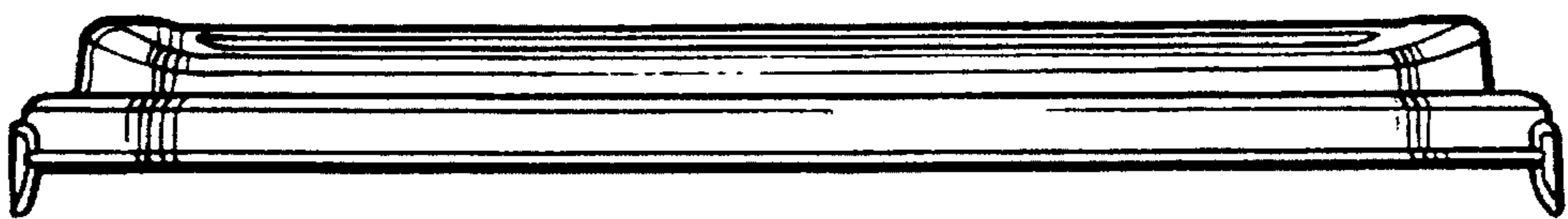


Fig-4

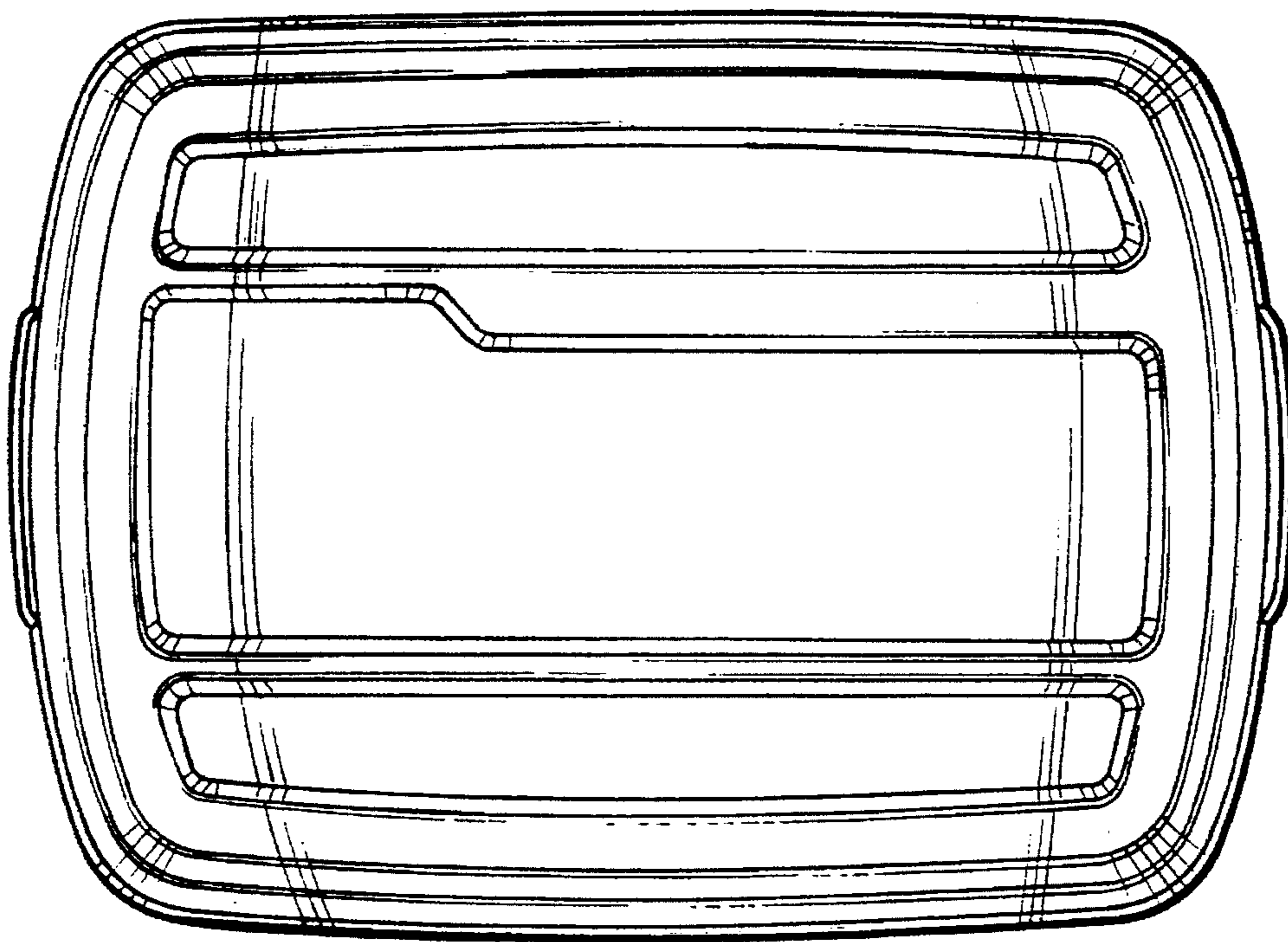


Fig-5