



US00D368161S

# United States Patent [19] Miller

[11] **Patent Number: Des. 368,161**  
[45] **Date of Patent: \*\*Mar. 26, 1996**

[54] **STORAGE LOCKER LID**  
[75] Inventor: **D. Scott Miller**, Orlando, Fla.  
[73] Assignee: **Rubbermaid Incorporated**, Wooster, Ohio  
[\*\*] Term: **14 Years**  
[21] Appl. No.: **32,283**  
[22] Filed: **Dec. 15, 1994**  
[52] U.S. Cl. .... **D3/326; D3/323; D9/435**  
[58] **Field of Search** ..... D3/201, 221, 272, D3/273, 276, 279, 282, 288, 294, 318, 319, 323, 326; 206/374, 503, 508, 512, 561, 806; 220/306, 334, 337, 338, 342, 503, 528, 555; D9/425, 432, 435, 436, 443; D7/391, 392.1

Main Street, Townsend, Massachusetts. Publication date 1991.  
Label, Container, Igloo Corporation, P.O. Box 19322, 1001 West Belt Drive, Houston, Texas 77224-9322. Publication date 1993.  
Installation Instructions, Container; Delta Inc. of Arkansas, 4800 Kruger Drive, Jonesboro, Arkansas 72401. Published at least as early as October, 1988.  
P. 27, Dock boxes; Follansbee Dock System, State Street, P.O. Box 610, Follansbee, West Virginia 26037. Published at least as early as July, 1990.  
Sell sheet, Tote container; Tucker Housewares, 25 Tucker Drive, Leominster, Massachusetts 01453. Published at least as early as 1991.  
Pp. 6 and 10, Containers, Contico Manufacturing Company, 1101 Warson Road, St. Louis, Missouri 63132. Publication date 1991-92.  
Label, Container, Contico Manufacturing Company, 1101 Warson Road, St. Louis, Missouri 63132. Published at least as early as May, 1993.  
Catalog page, Containers; Rubbermaid Incorporated, 1147 Akron Road, Wooster, Ohio 44691. Publication date 1994.

### [56] **References Cited**

#### U.S. PATENT DOCUMENTS

D. 238,051	12/1975	Fier	.....	D9/240
D. 238,148	12/1975	Dilot	.....	D9/219
D. 246,828	1/1978	White	.....	D9/277
D. 249,930	10/1978	Seager	.....	D9/219
D. 258,723	3/1981	Cornou	.....	D7/76
D. 286,937	11/1986	Schafer	.....	D34/43
D. 301,549	6/1989	Foster	.....	D9/435
D. 302,774	8/1989	Murphy	.....	D7/76
D. 318,015	7/1991	DeCoster et al.	.....	D7/391 X
D. 319,016	8/1991	Kahl	.....	D9/424
D. 321,091	10/1991	Dickinson	.....	D3/78
D. 328,425	8/1992	Brightbill	.....	D9/425
D. 329,331	9/1992	Hobson	.....	D3/294
D. 329,747	9/1992	Embree	.....	D3/78

(List continued on next page.)

#### FOREIGN PATENT DOCUMENTS

2160505 12/1985 United Kingdom ..... 220/503

#### OTHER PUBLICATIONS

Catalog page, Tote bins; Sterilite Corporation, P.O. Box 524, Main Street, Townsend, Massachusetts, Publication date 1990.

Sell sheet, Container; Sterilite Corporation, P.O. Box 524,

*Primary Examiner*—Louis S. Zarfaz  
*Assistant Examiner*—Monica A. Hannon  
*Attorney, Agent, or Firm*—Richard B. O’Planick; Lisa B. Riedesel

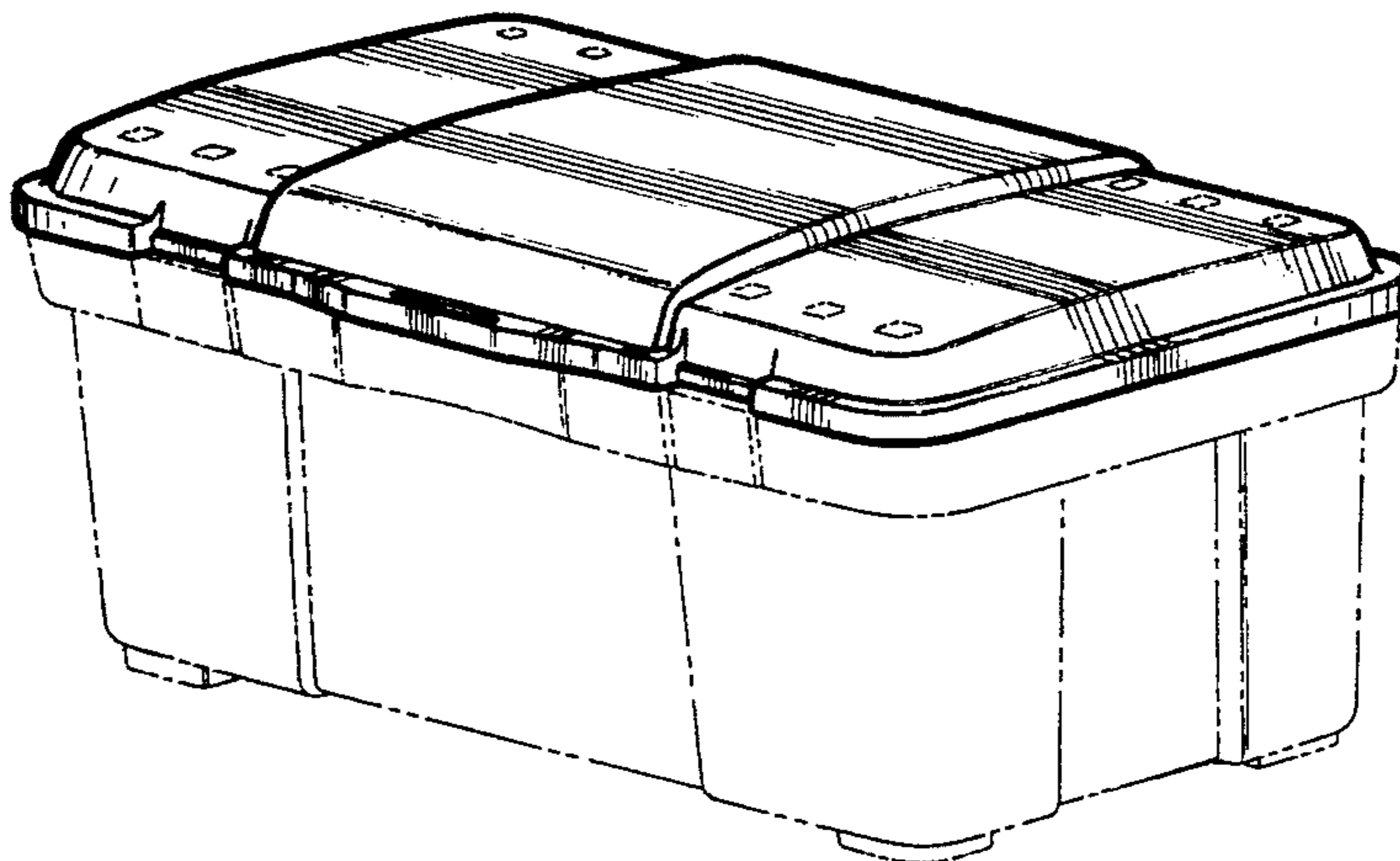
### [57] **CLAIM**

The ornamental design for a storage locker lid, as shown and described.

### **DESCRIPTION**

FIG. 1 is a top right front perspective view of a storage locker lid showing my new design;  
FIG. 2 is a top plan view thereof;  
FIG. 3 is a bottom plan view thereof;  
FIG. 4 is a front elevational view thereof;  
FIG. 5 is a rear elevational view thereof; and,  
FIG. 6 is a right side elevational view thereof, the left side elevational view being a mirror image.  
The broken line showing of small recessed squares is for illustrative purposes only and forms no part of the claimed design.

**1 Claim, 2 Drawing Sheets**



# Des. 368,161

Page 2

---

## U.S. PATENT DOCUMENTS

D. 330,161	10/1992	Schuh .....	D9/423	D. 355,766	2/1995	Miller .....	D3/319
D. 330,329	10/1992	Brightbill .....	D9/424	3,419,184	12/1968	Asenbauer .....	220/97
D. 339,471	9/1993	Maple et al. ....	D3/78	3,938,688	2/1976	Ryan .....	220/23.8
D. 342,609	12/1993	Brightbill .....	D3/78	3,987,829	10/1976	Leone .....	150/0.5
D. 347,324	5/1994	Dickinson .....	D3/272	4,499,997	2/1985	Swingley .....	206/509
D. 349,646	8/1994	Dickinson .....	D9/423	5,031,768	7/1991	Fischer .....	220/306 X
D. 355,118	2/1995	Dickinson .....	D9/425	5,080,250	1/1992	Dickinson et al. ....	220/334 X
D. 355,765	2/1995	Miller .....	D3/318	5,427,265	6/1995	Caultereels et al. ....	220/338 X

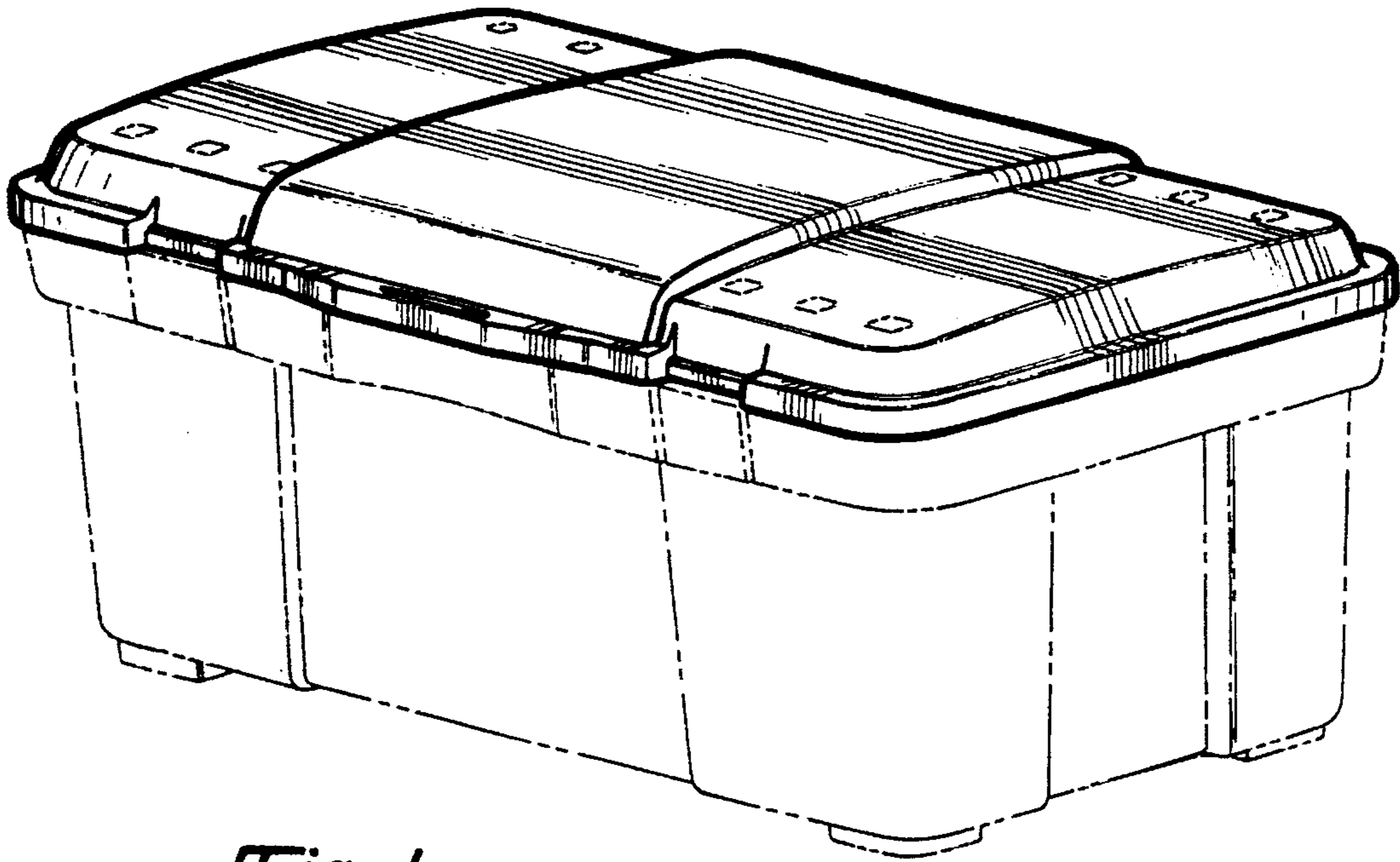


Fig-1

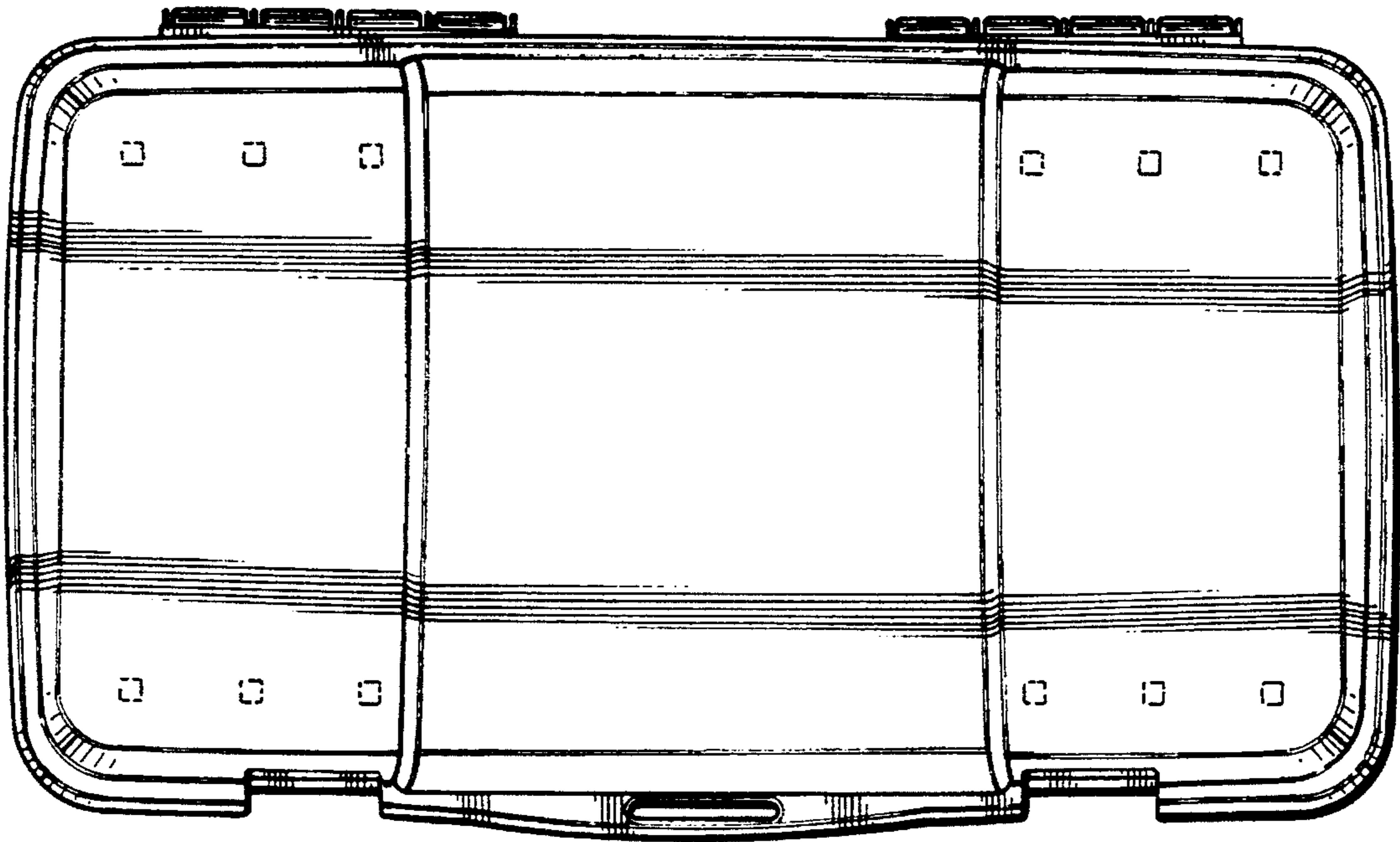


Fig-2

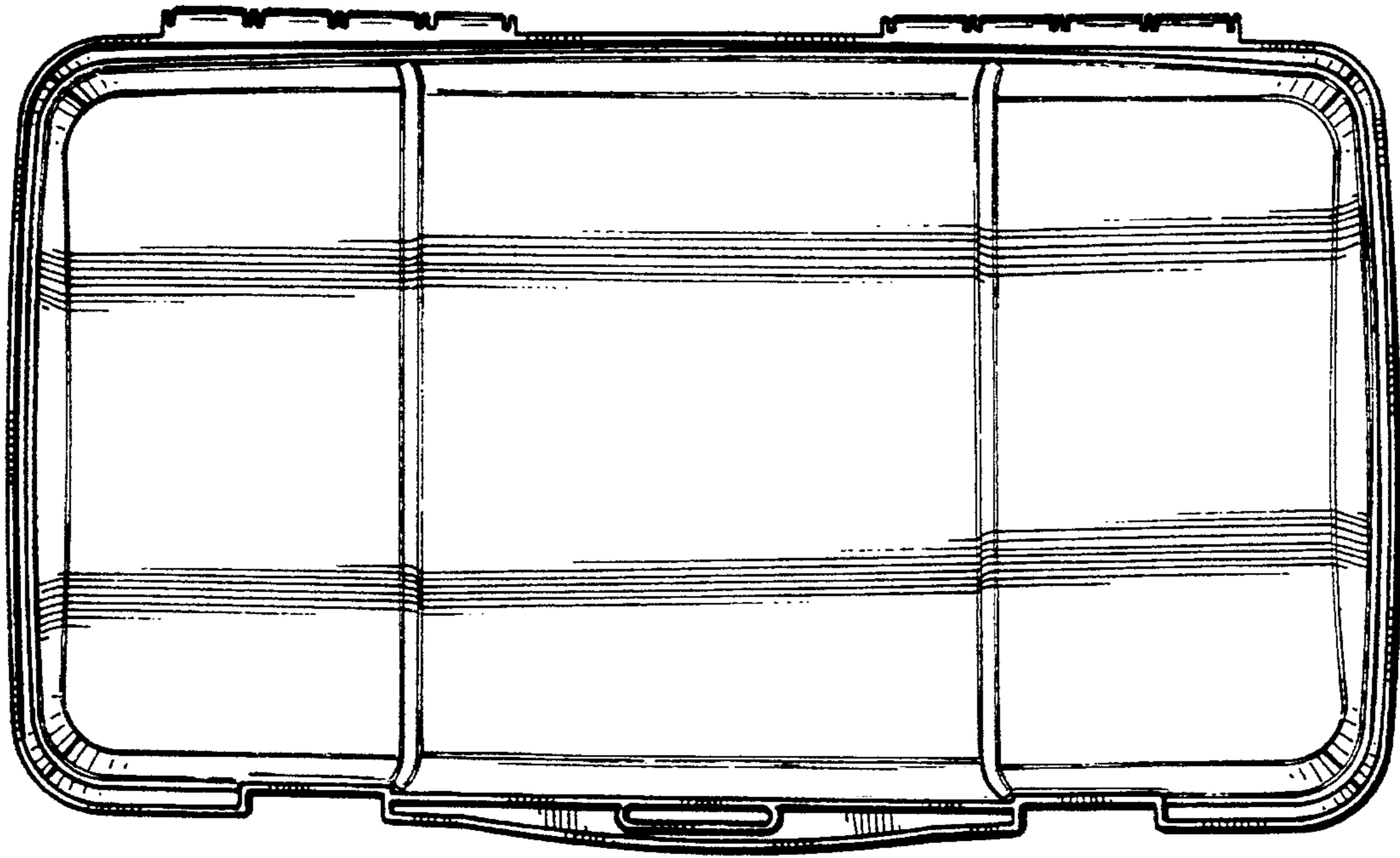


Fig-3

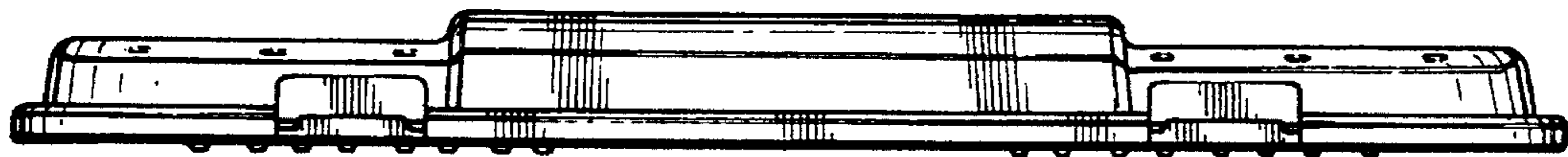


Fig-4

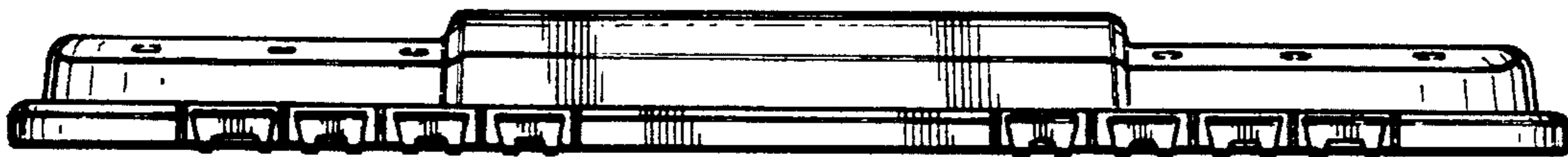


Fig-5

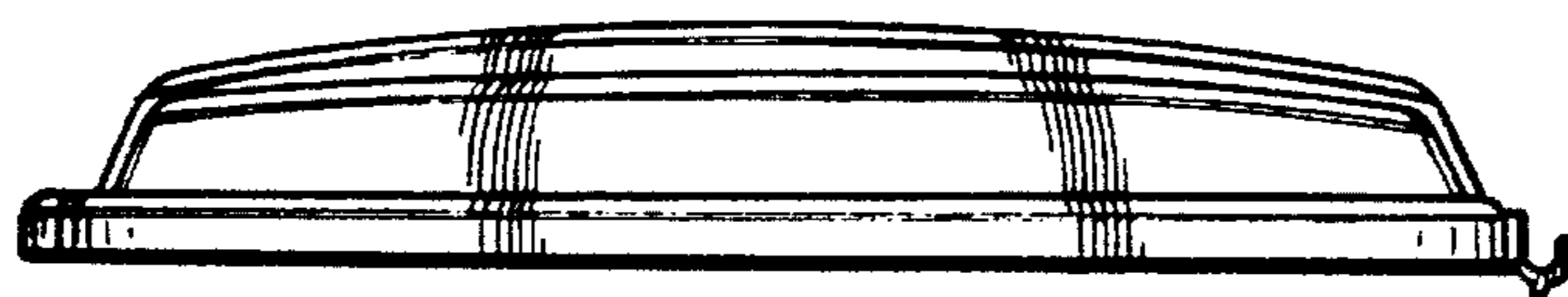


Fig-6