



US00D368154S

# United States Patent [19] Pelkey

[11] Patent Number: **Des. 368,154**

[45] Date of Patent: **\*\*Mar. 26, 1996**

[54] **NOVELTY BASEBALL CAP**

4,386,437 6/1983 Foshier ..... 2/209.13  
5,091,994 3/1992 Delane et al. .... 2/195.1 X

[76] Inventor: **Michael P. Pelkey**, Box 114, Jericho, Vt. 05465

[\*\*] Term: **14 Years**

[21] Appl. No.: **32,004**

[22] Filed: **Dec. 12, 1994**

### OTHER PUBLICATIONS

Apparel Arts Jul. 1952 p. 80.

*Primary Examiner*—Ted Shooman

*Assistant Examiner*—Paula Mortimer

*Attorney, Agent, or Firm*—Thomas N. Neiman

### [57] CLAIM

The ornamental design for a novelty baseball, as shown and described.

### DESCRIPTION

FIG. 1 is a top plan view of the novelty baseball cap; FIG. 2 is a side elevational view thereof, the opposite side view being a mirror image thereof; FIG. 3 is a bottom plan view thereof; FIG. 4 is a front elevational view thereof, the rear view being a mirror image thereof; and, FIG. 5 is a perspective view of the novelty baseball cap.

**1 Claim, 2 Drawing Sheets**

### Related U.S. Application Data

[63] Continuation-in-part of Ser. No. 4,272, Feb. 1, 1993, abandoned.

[52] U.S. Cl. .... **D2/882; D2/365**

[58] Field of Search ..... D2/865, 866, 872, D2/882, 886; 2/195.1, 171

### References Cited

#### U.S. PATENT DOCUMENTS

31,107 6/1899 Davis ..... D2/882  
D. 168,920 2/1953 Wittcoff ..... D2/882 X  
D. 315,439 3/1991 Lorentzen, Jr. .... D2/882

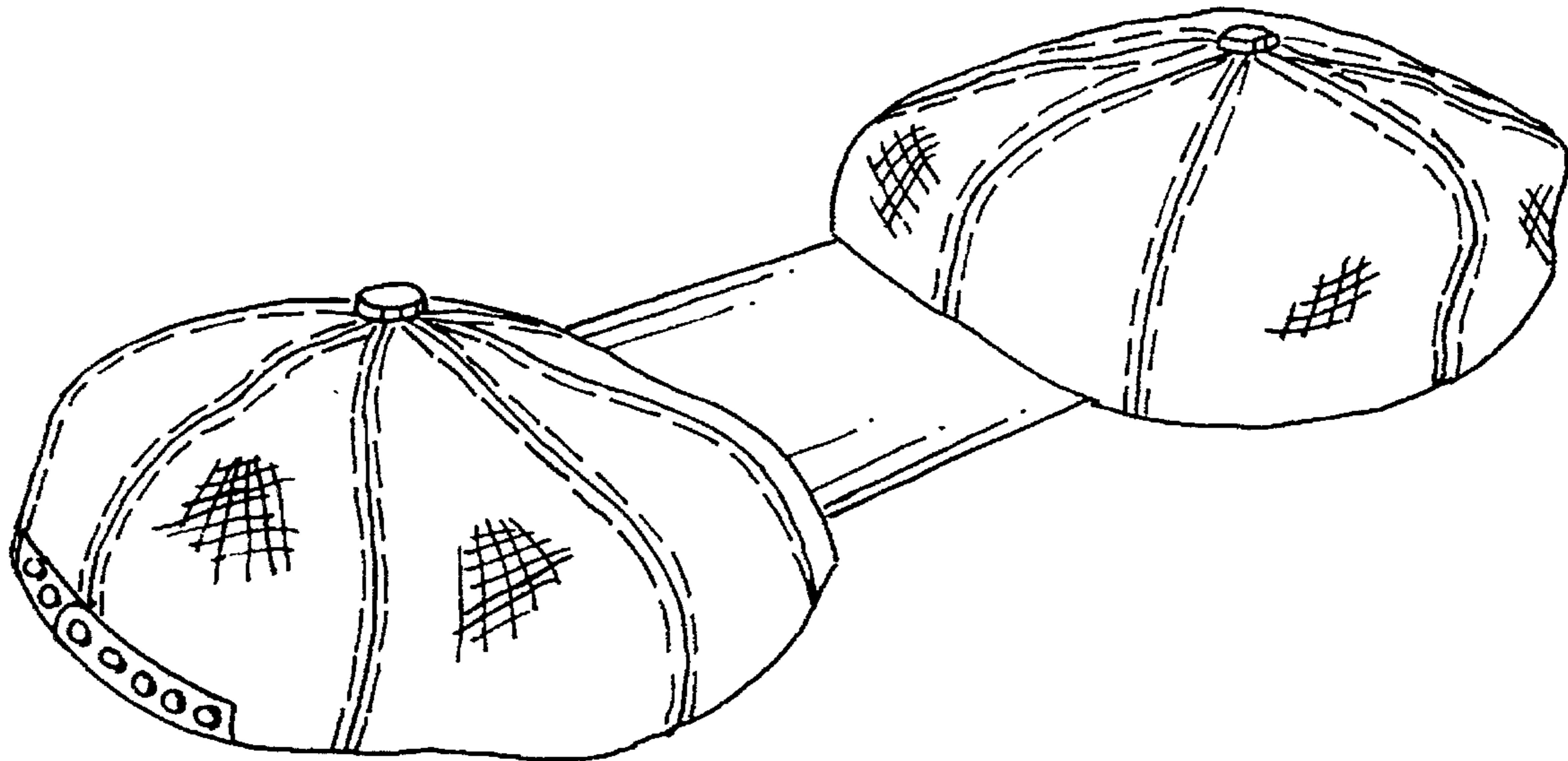


FIG. 1

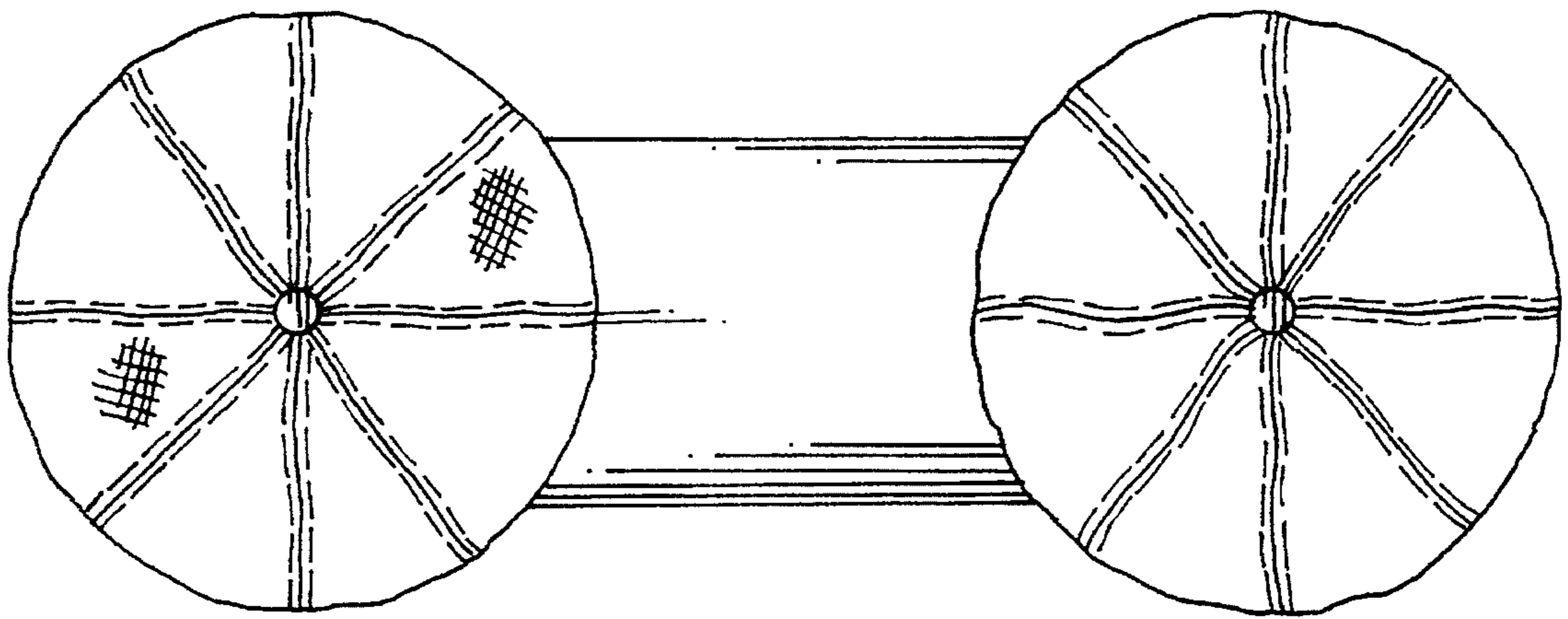
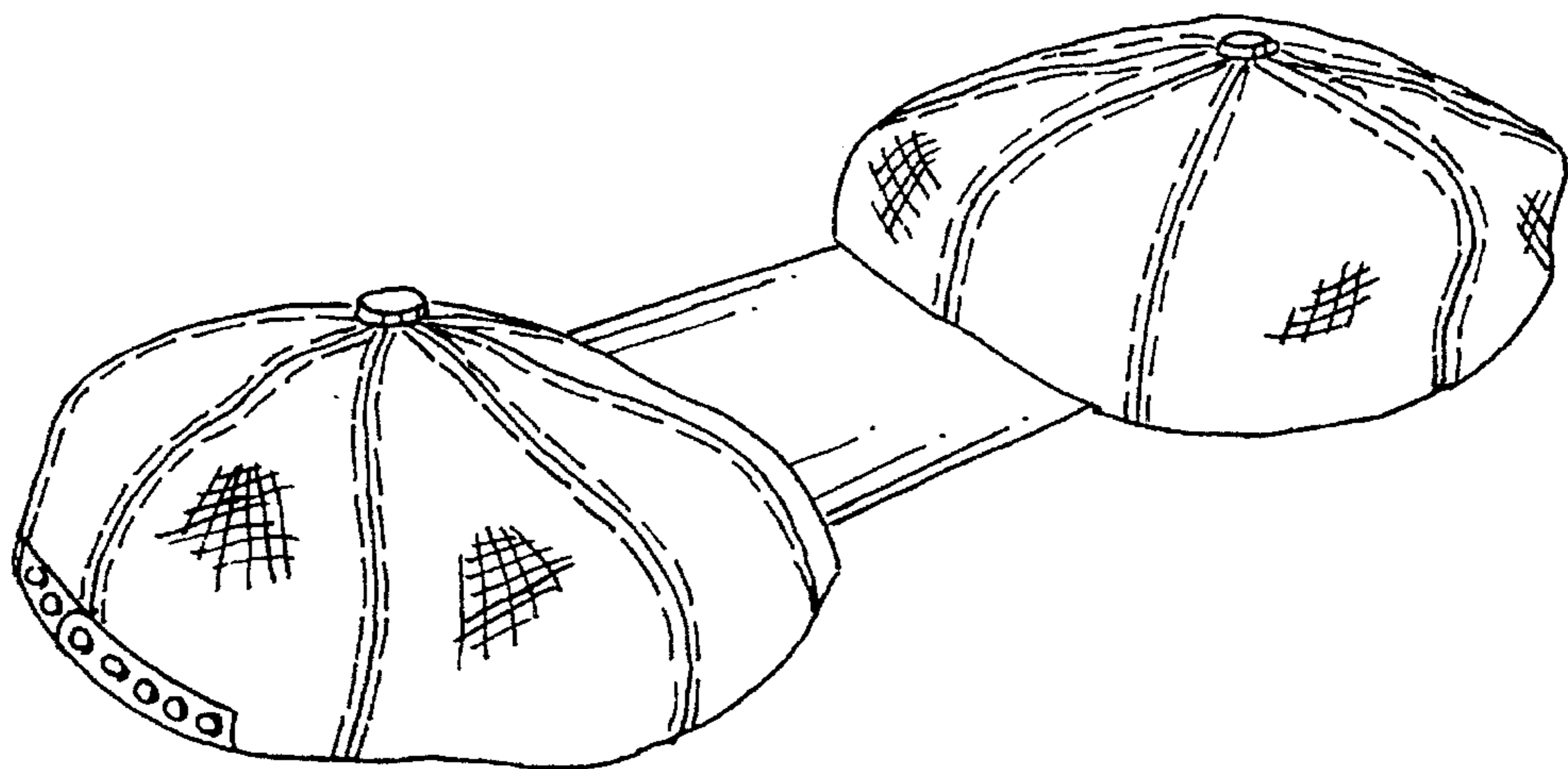


FIG. 5



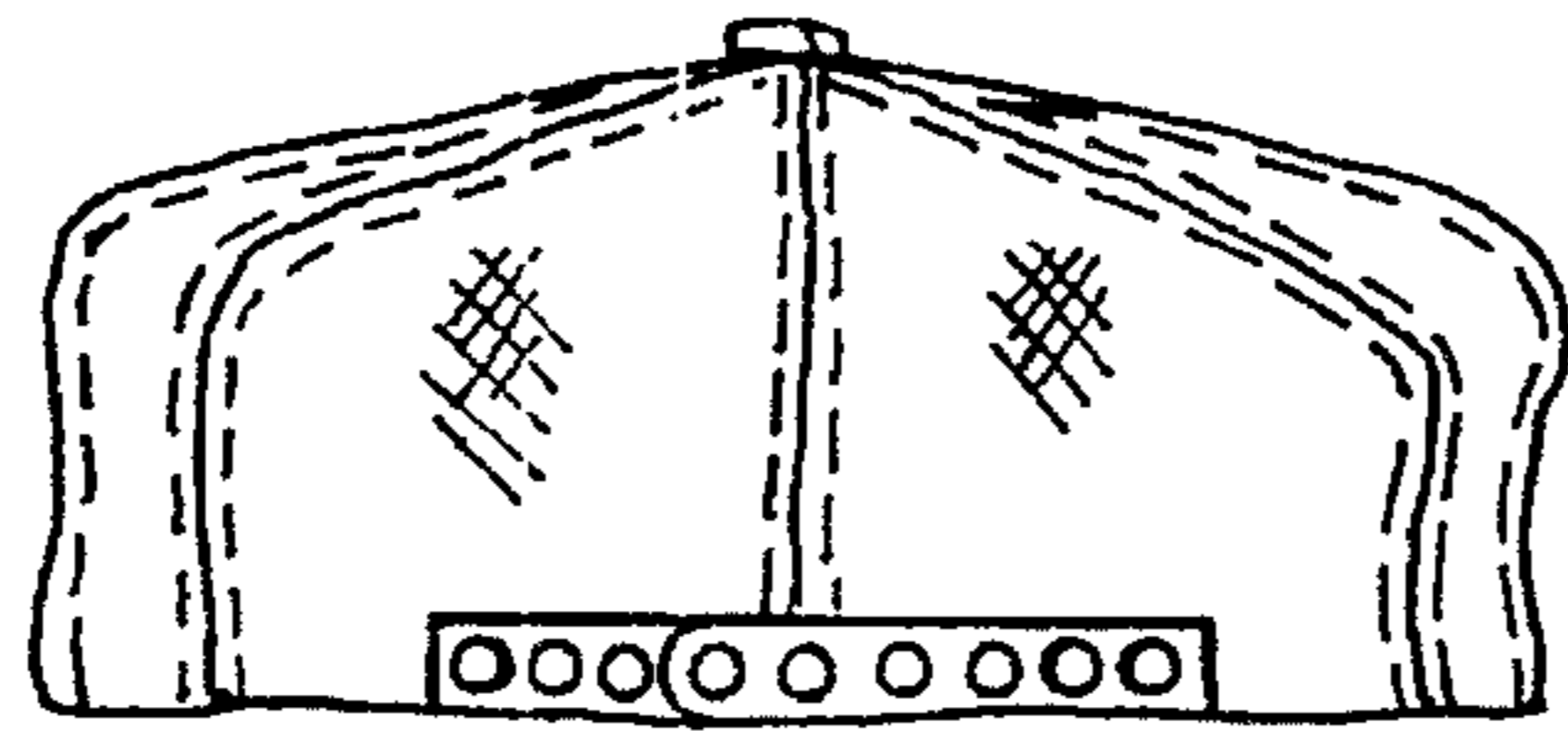


FIG. 4



FIG. 2

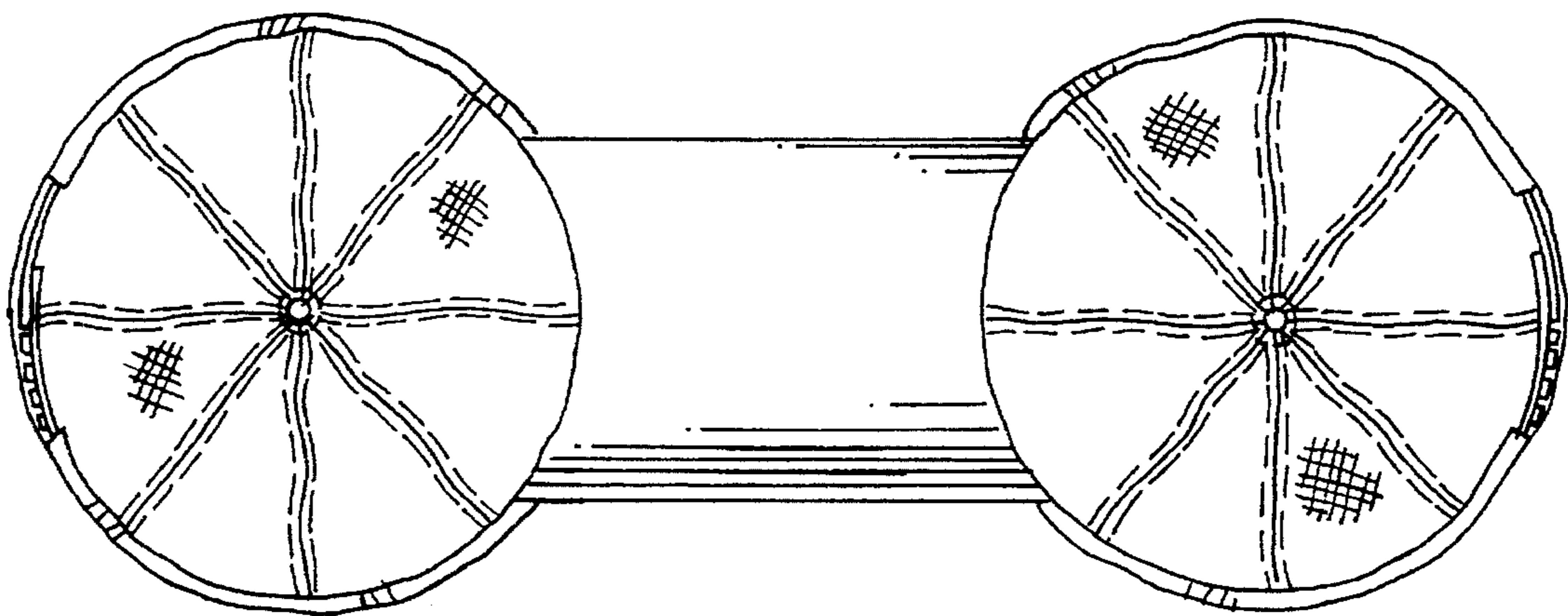


FIG. 3