



US00D368149S

United States Patent [19]

[11] **Patent Number: Des. 368,149**

Yu

[45] **Date of Patent: **Mar. 19, 1996**

[54] **TABLE LAMP**

[76] Inventor: **Alexander Yu**, 10F-1, No. 1, Lane 550,
Ming-Chuan E. Rd., Taipei City, Taiwan

[**] Term: **14 Years**

[21] Appl. No.: **37,375**

[22] Filed: **Apr. 11, 1995**

[52] U.S. Cl. **D26/110; D26/105**

[58] Field of Search **D26/60-66, 93,
D26/102-112; 362/410-414**

[56] **References Cited**

U.S. PATENT DOCUMENTS

D. 171,021	12/1953	Arch	D26/105
D. 172,656	7/1954	Borowitz	D26/110
D. 174,597	4/1955	Rosenthal	D26/105
D. 359,576	6/1995	Chen	D26/110

OTHER PUBLICATIONS

Lamp Journal, Mar. 1962, p. 16, Lamp (Lower Center).

Primary Examiner—Kay H. Chin

Attorney, Agent, or Firm—Christensen, O'Connor, Johnson
& Kindness

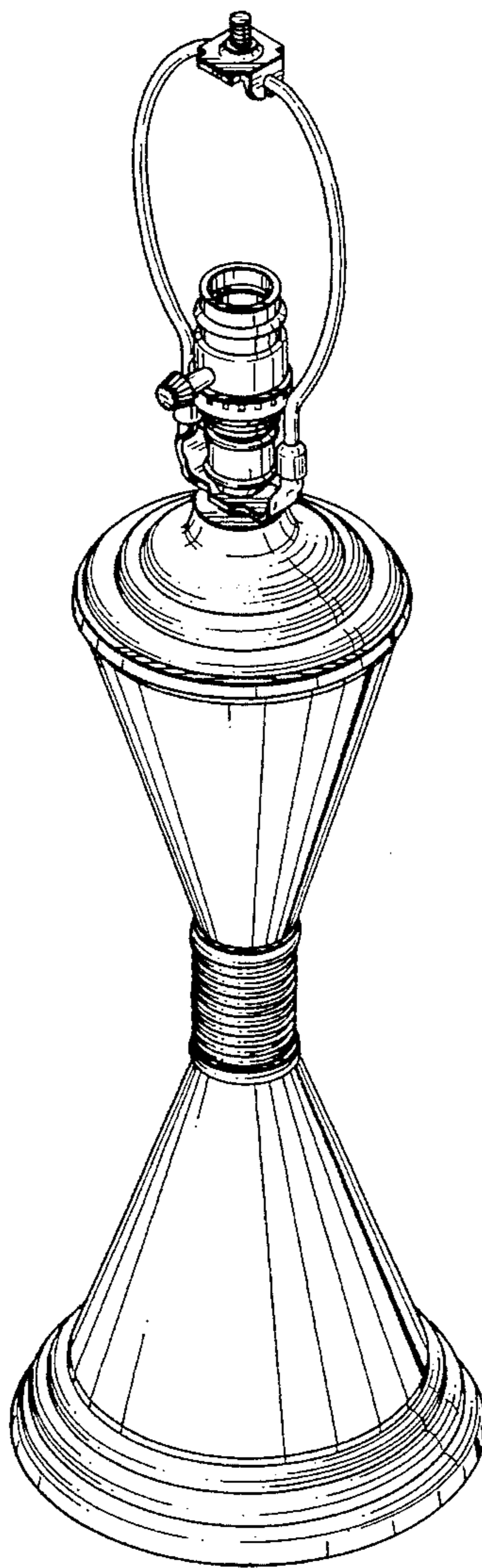
[57] **CLAIM**

The ornamental design for a table lamp, as shown and described.

DESCRIPTION

FIG. 1 is a perspective view of table lamp showing my new design;
FIG. 2 is a front elevational view thereof;
FIG. 3 is a rear elevational view thereof;
FIG. 4 is a left side elevational view thereof;
FIG. 5 is a right side elevational view thereof;
FIG. 6 is a top plan view thereof;
FIG. 7 is a bottom plan view thereof; and,
FIG. 8 is a perspective view when in use.

1 Claim, 7 Drawing Sheets



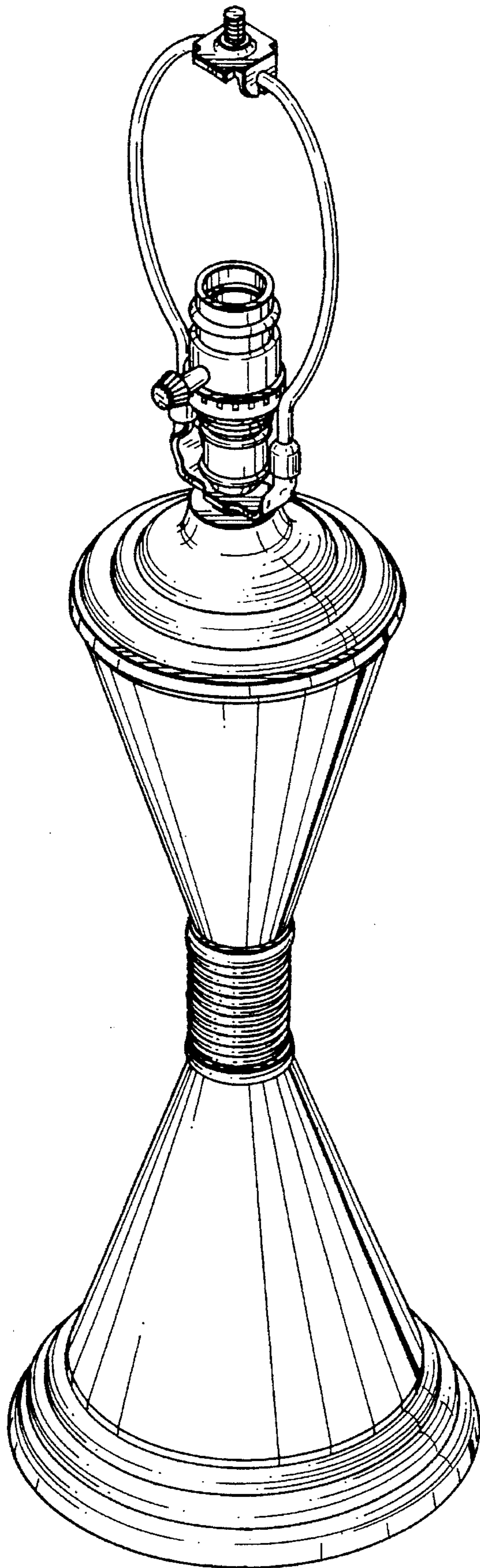


FIG. 1

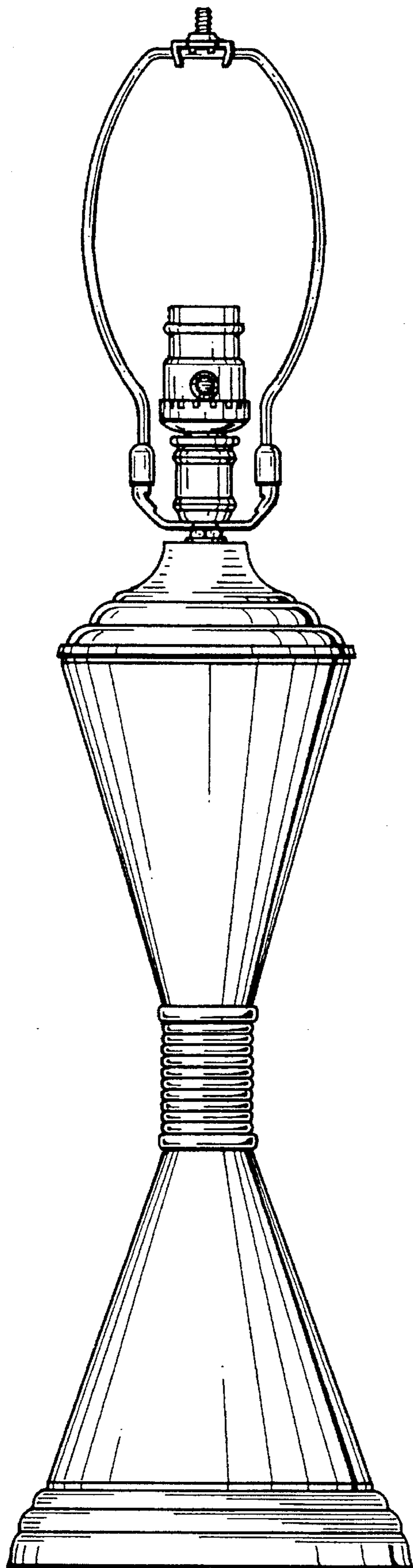


FIG. 2

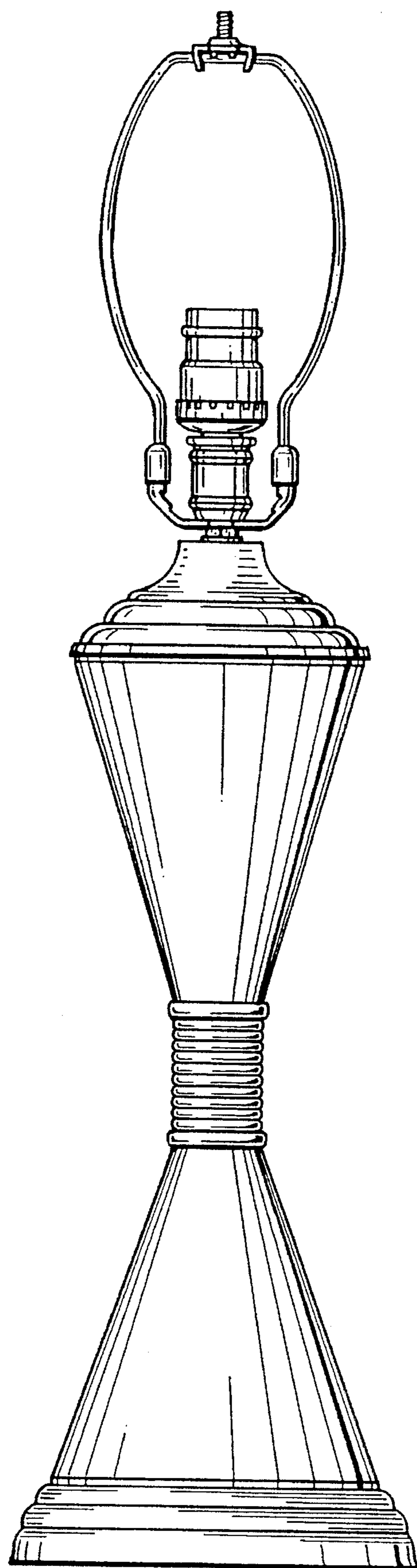


FIG. 3

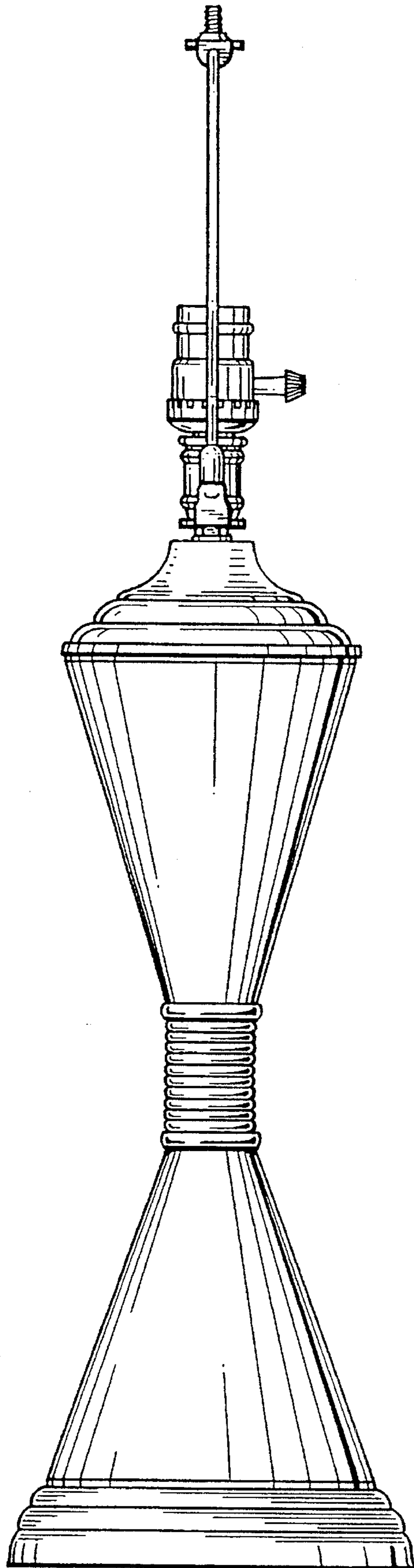


FIG. 4

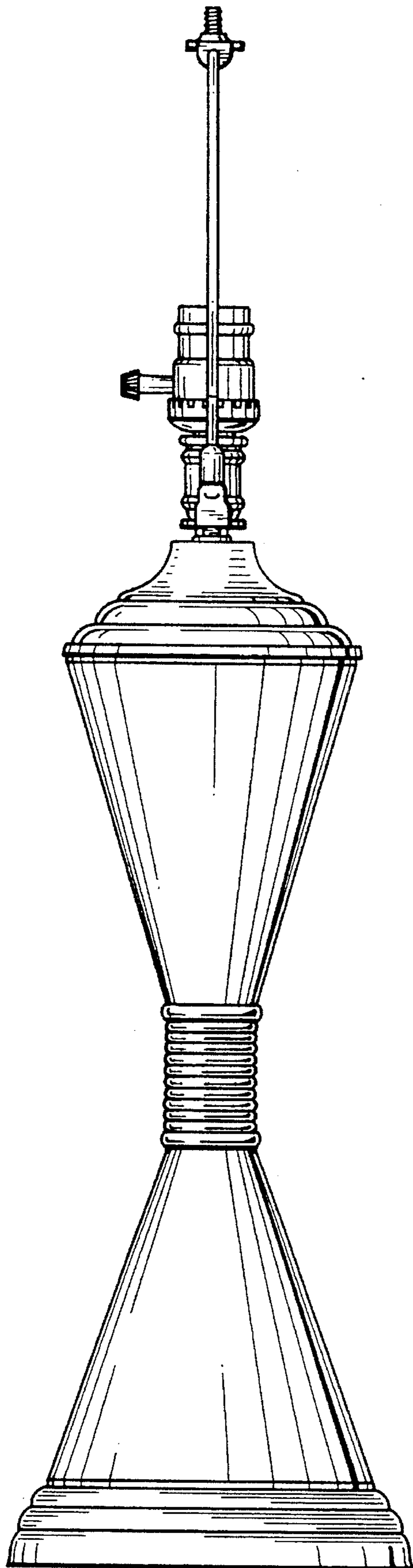


FIG. 5

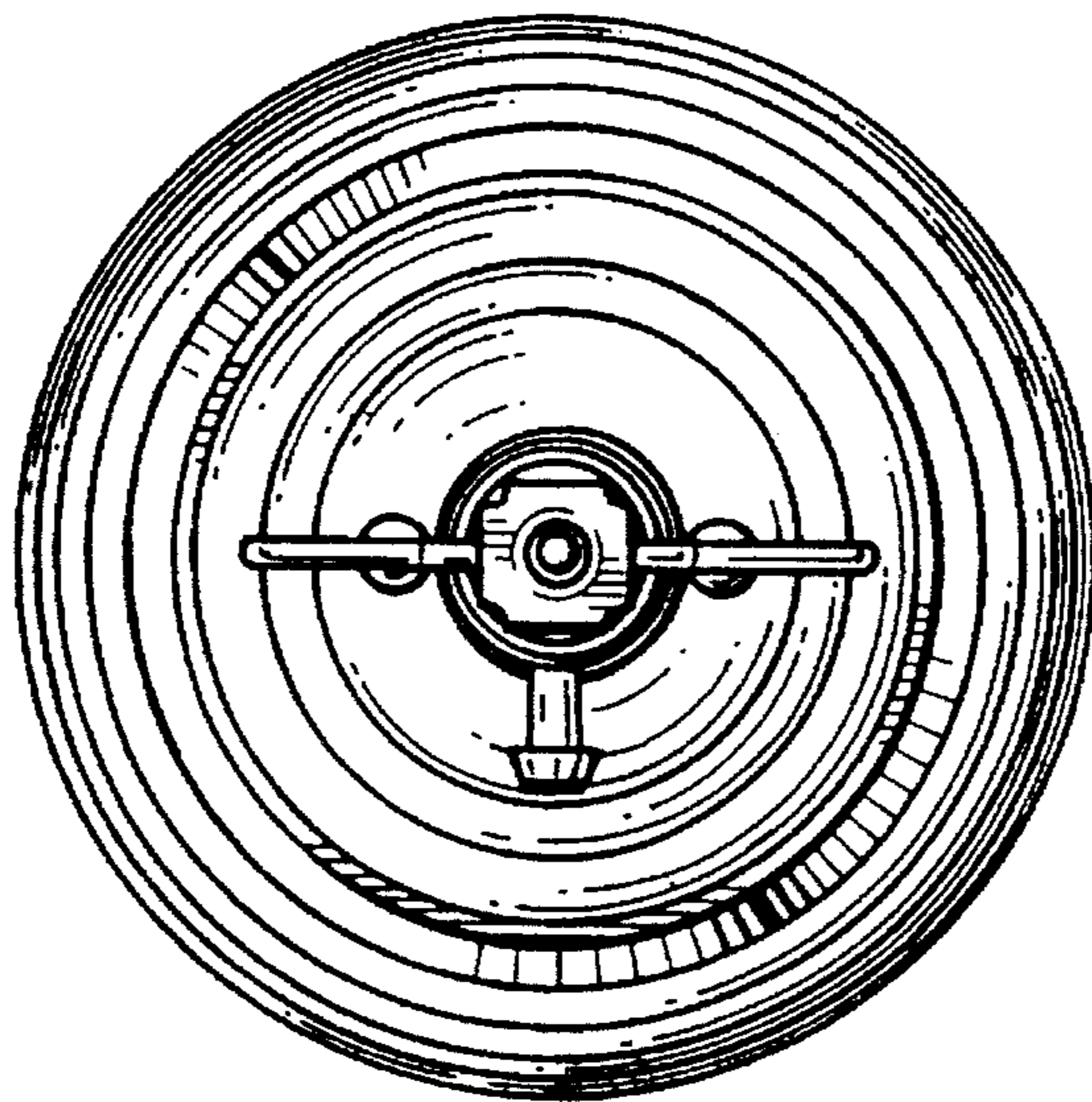


FIG. 6

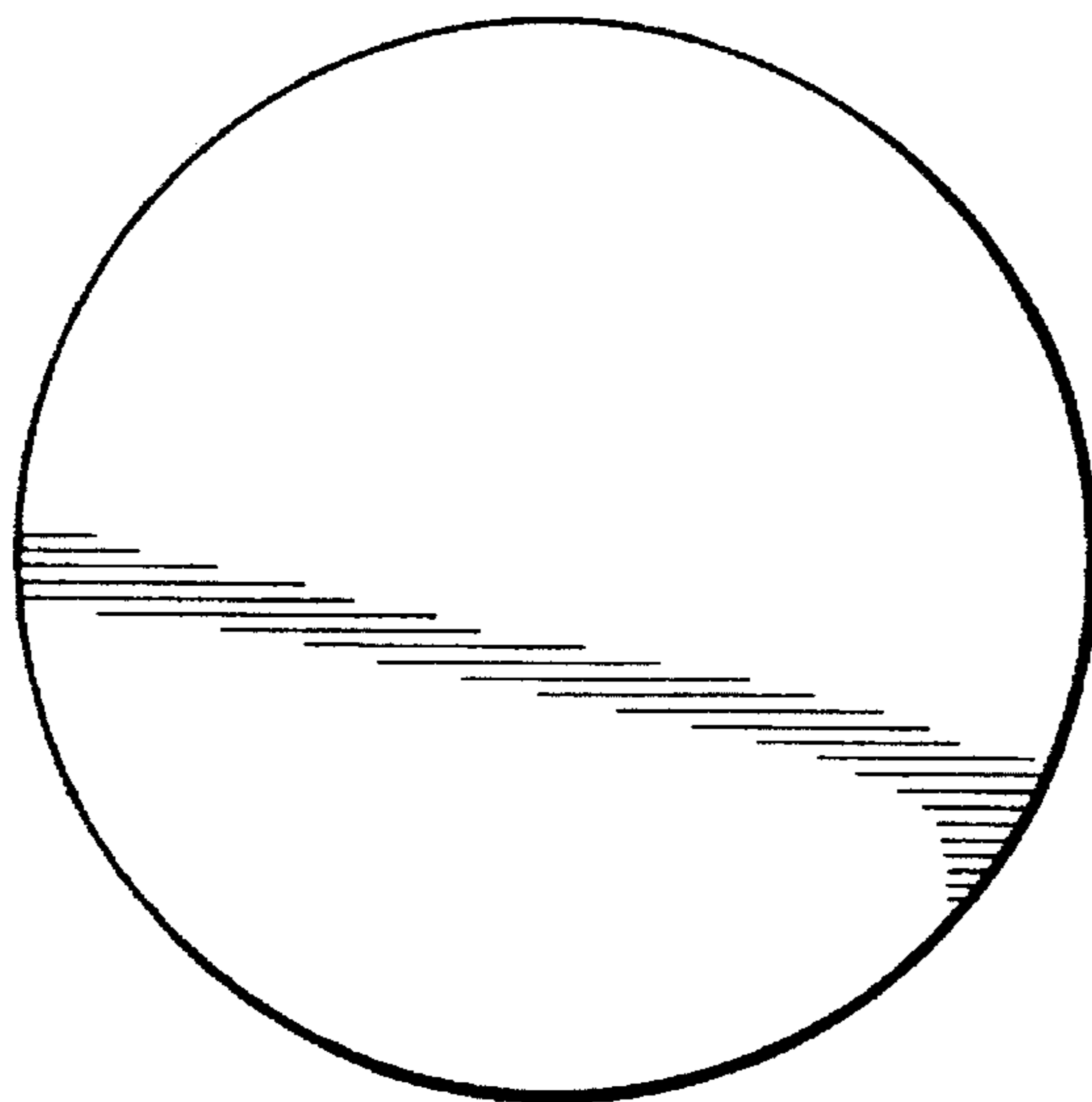


FIG. 7

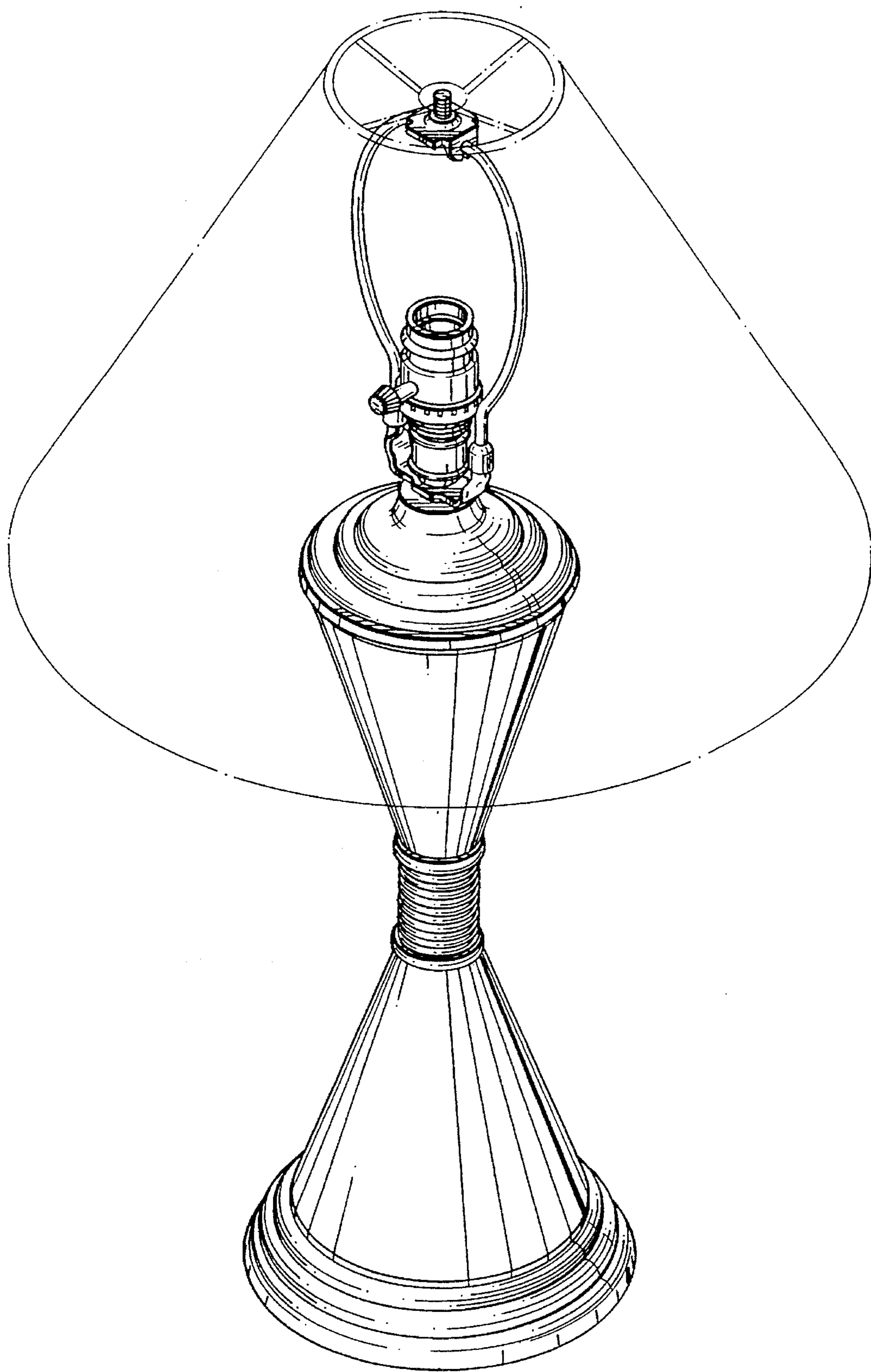


FIG. 8