



US00D368146S

United States Patent [19]

[11] Patent Number: **Des. 368,146**

Carbone

[45] Date of Patent: ***** Mar. 19, 1996**

[54] **FLASHLIGHT**

[75] Inventor: **Richard J. Carbone**, Southbury, Conn.

[73] Assignee: **Black & Decker Inc.**, Newark, Del.

[*] Notice: The portion of the term of this patent subsequent to Aug. 15, 2009, has been disclaimed.

[**] Term: **14 Years**

[21] Appl. No.: **34,505**

[22] Filed: **Feb. 6, 1995**

[52] U.S. Cl. **D26/43**

[58] Field of Search D26/37, 43, 44,
D26/46, 49, 60, 62; 362/157, 158, 184,
189, 191, 198, 199, 200, 396

D. 345,811	4/1994	Van Deursen et al.	D26/46
599,543	2/1898	Whitaker .	
2,467,954	4/1949	Becker .	
2,581,129	1/1952	Muldoon .	
2,648,762	8/1953	Dunkelberger .	
3,103,723	9/1963	Becker .	
3,111,277	11/1963	Grimsley .	
3,393,311	7/1968	Dahl .	
3,393,312	7/1968	Dahl .	
3,731,084	5/1973	Trevorrow .	
4,495,550	1/1985	Visciano .	
4,839,599	6/1989	Fischer .	
4,903,178	2/1990	Englot et al.	362/199 X
5,103,384	4/1992	Drohan .	
5,154,483	10/1992	Zeller .	
5,163,752	11/1992	Copeland et al.	362/198
5,268,826	12/1993	Greene .	
5,276,596	1/1994	Krenzel .	
5,385,500	1/1995	Schmidt	362/189 X

FOREIGN PATENT DOCUMENTS

685931	8/1986	Japan	D26/43
--------	--------	-------------	--------

[56] **References Cited**

U.S. PATENT DOCUMENTS

D. 147,258	8/1947	Becker .	
D. 152,584	2/1949	Becker .	
D. 166,073	3/1952	Dunkelberger .	
D. 190,295	5/1961	Becker et al. .	
D. 192,935	5/1962	Becker et al. .	
D. 240,322	6/1976	Staub .	
D. 281,820	12/1985	Oba et al. .	
D. 283,645	4/1986	Tanaka et al. .	
D. 302,325	7/1989	Charet et al. .	
D. 304,089	10/1989	Wan .	
D. 306,351	2/1990	Charet et al.	D26/43
D. 314,246	1/1991	Bache	D26/62
D. 321,062	10/1991	Bonbright .	
D. 322,681	12/1991	Yuen .	
D. 328,146	7/1992	Sinsteden .	
D. 329,504	9/1992	Yuen .	
D. 337,839	7/1993	Zeller .	
D. 338,542	8/1993	Yuen .	
D. 341,220	11/1993	Eagan .	

Primary Examiner—Susan J. Lucas
Attorney, Agent, or Firm—Barry E. Deutsch

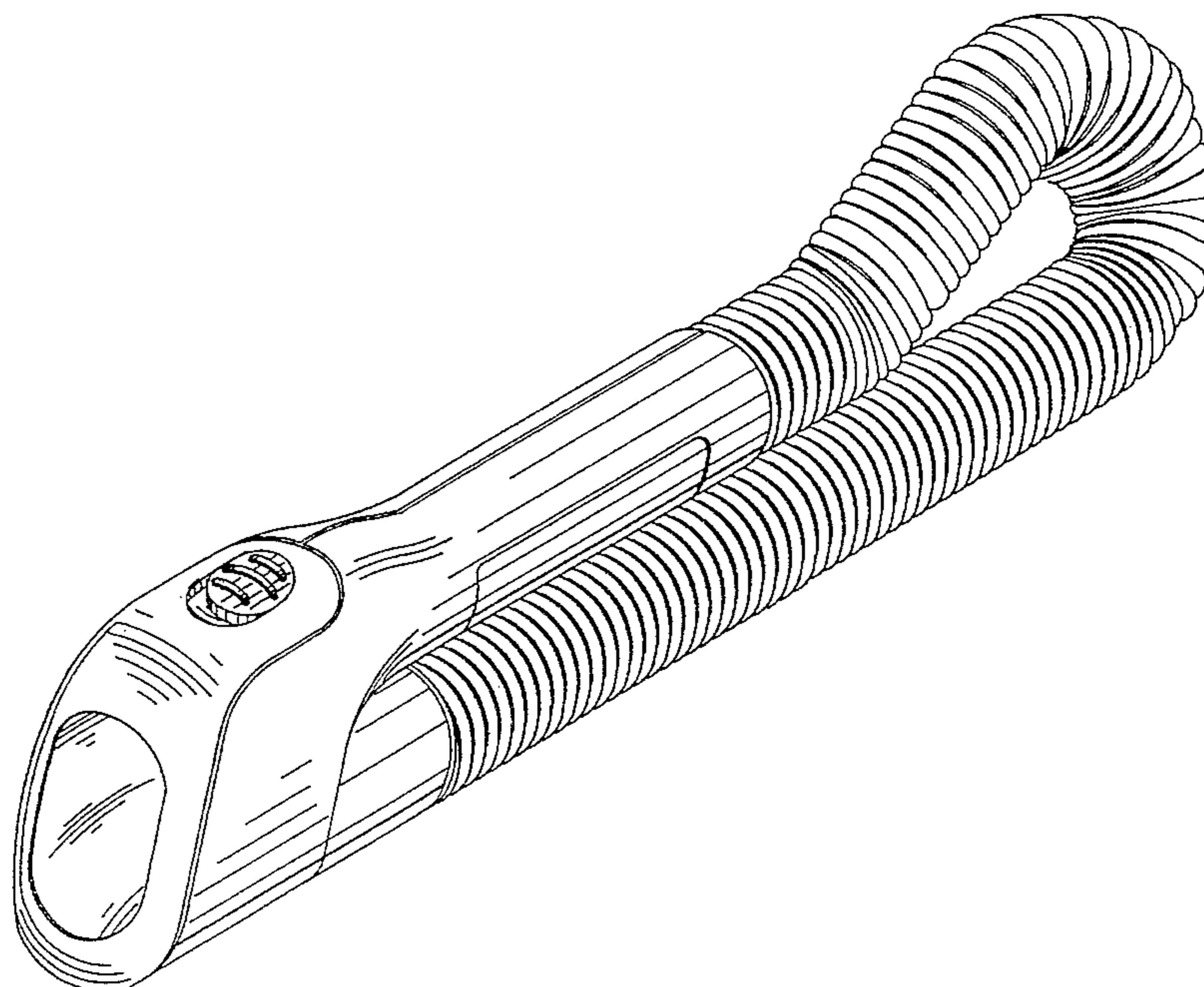
[57] CLAIM

The ornamental design for a flashlight, as shown and described.

DESCRIPTION

FIG. 1 is a perspective view of a flashlight taken from the front, top and right side thereof, showing my new design; FIG. 2 is a right side elevational view thereof; FIG. 3 is a left side elevational view thereof; FIG. 4 is a top plan view thereof; FIG. 5 is a bottom plan view thereof; FIG. 6 is a front elevational view thereof; and, FIG. 7 is a rear elevational view thereof.

1 Claim, 3 Drawing Sheets



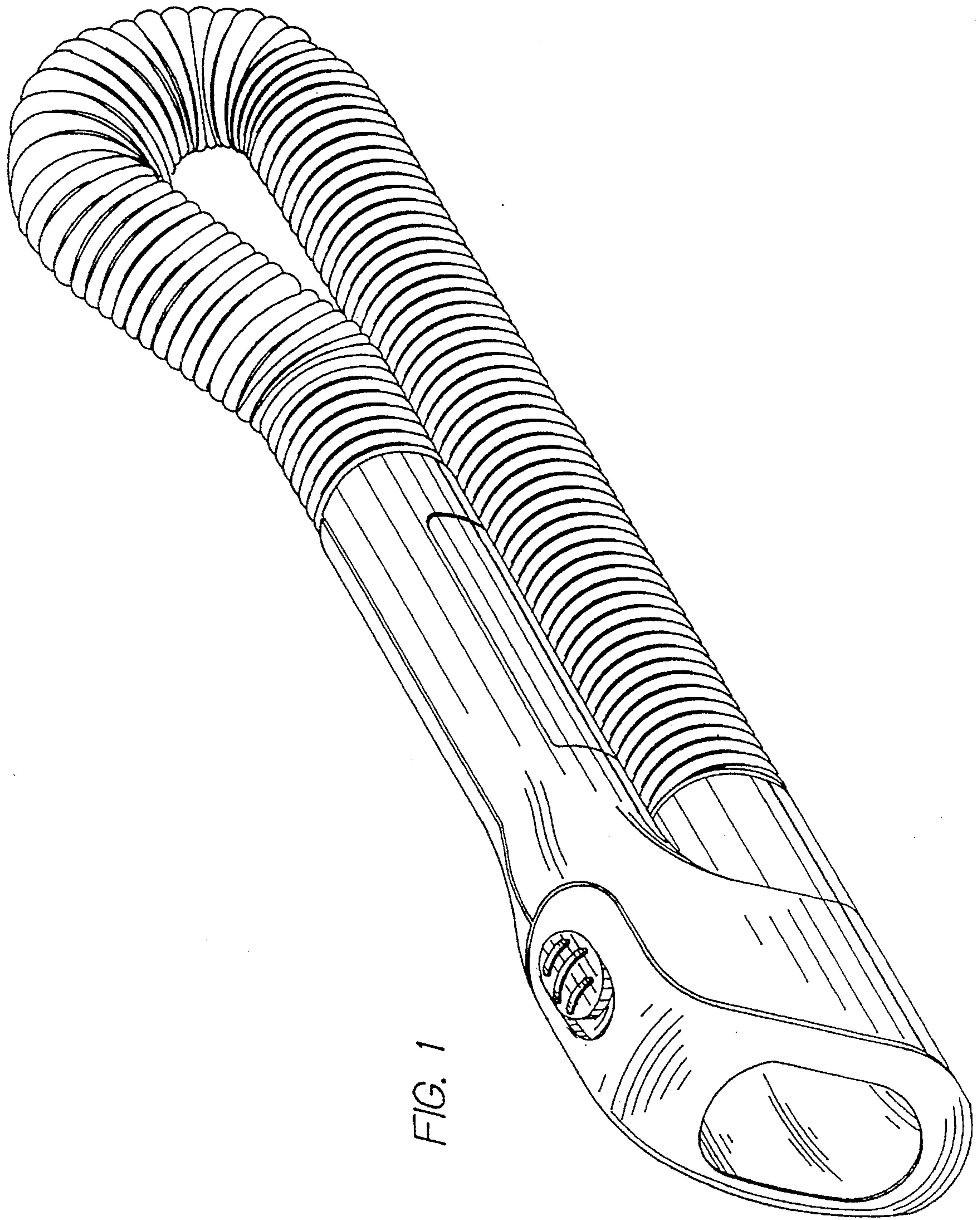


FIG. 1

FIG. 2

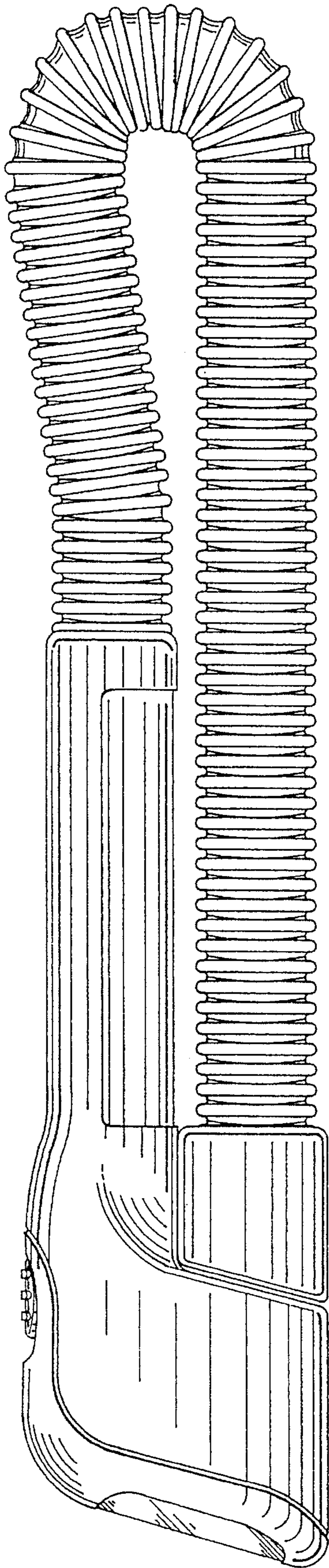


FIG. 3

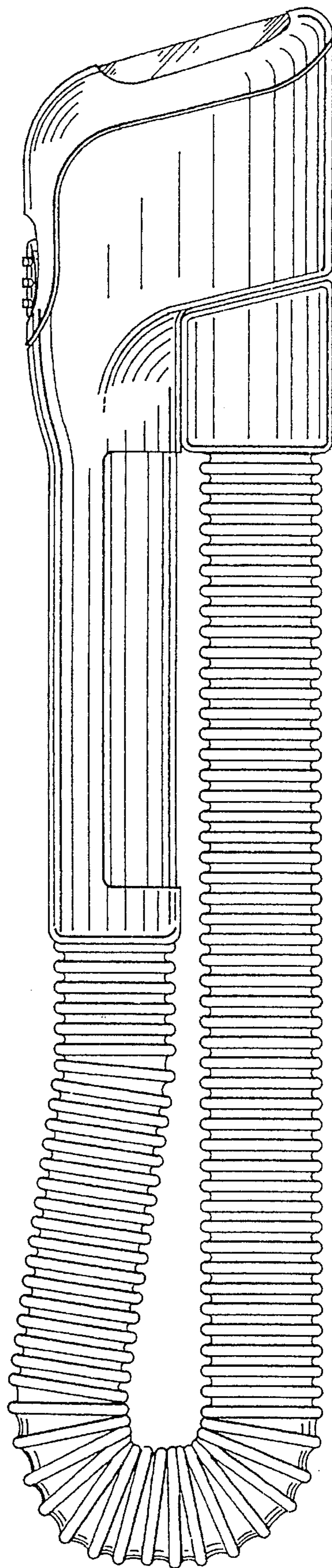


FIG. 4

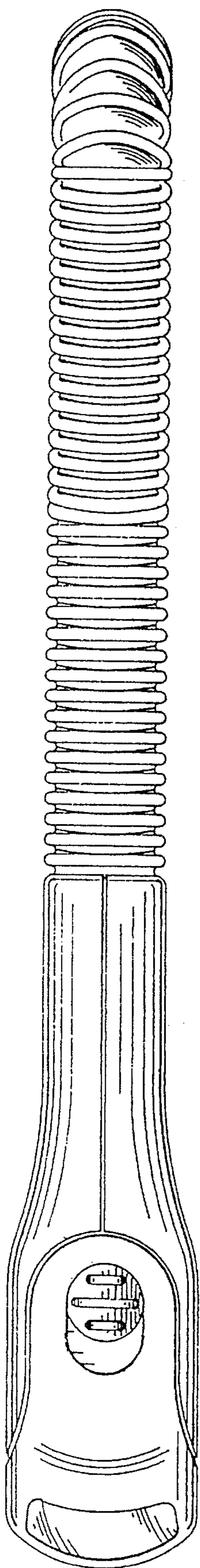


FIG. 5

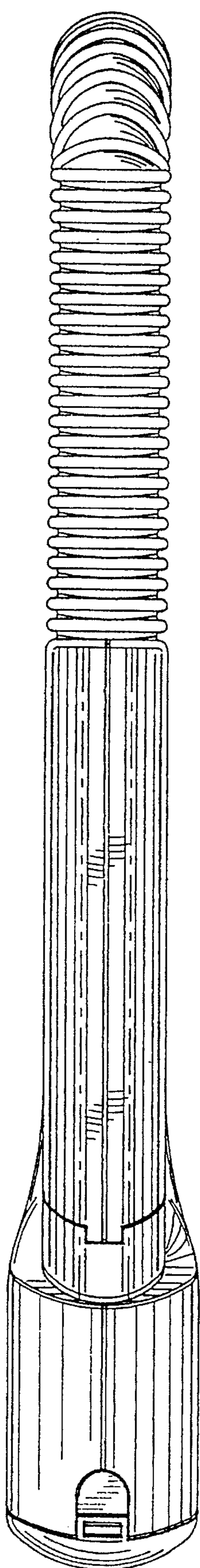


FIG. 6

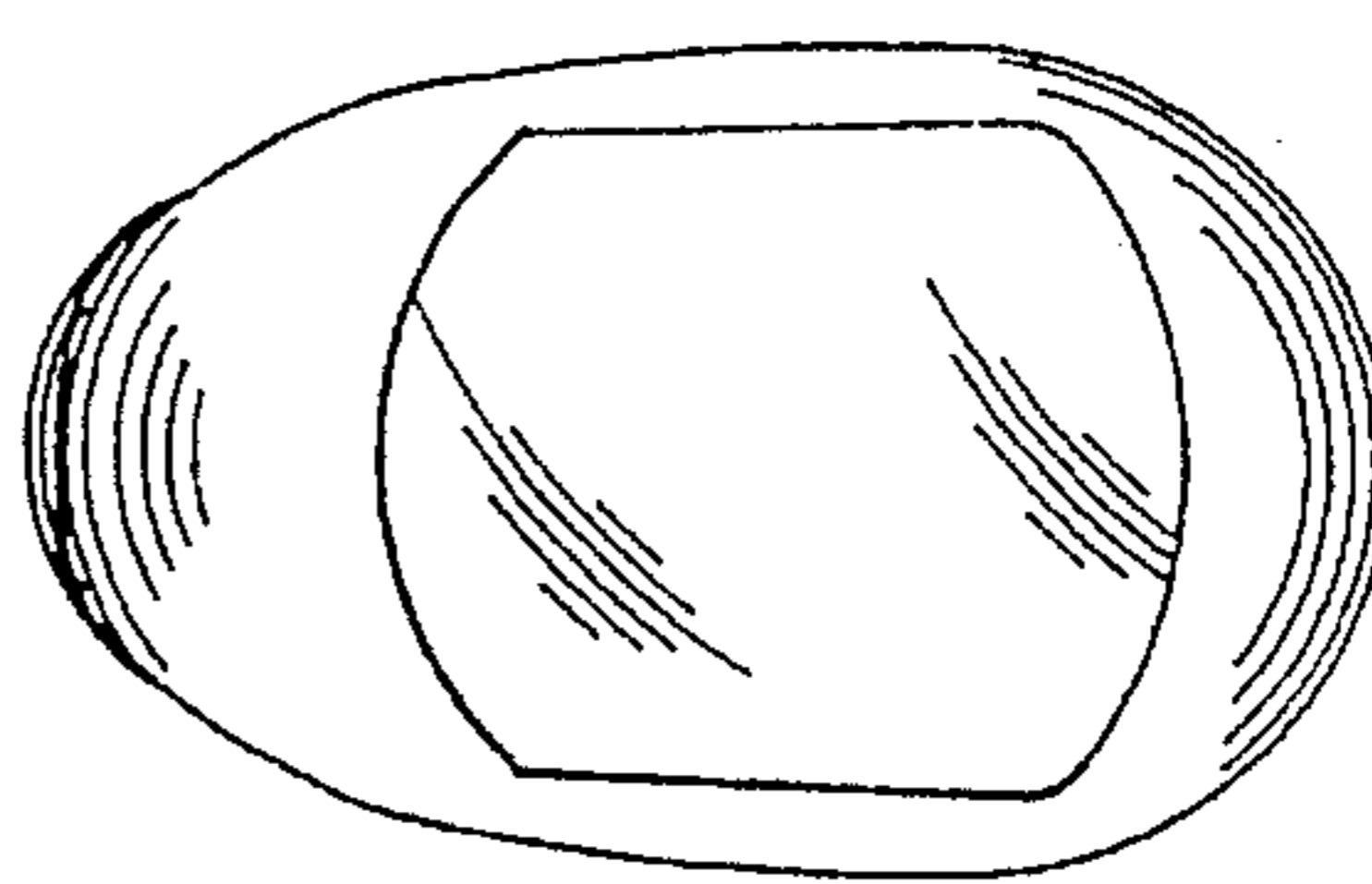


FIG. 7

