



US00D368144S

United States Patent [19]

[11] **Patent Number: Des. 368,144**

Holzer

[45] **Date of Patent: **Mar. 19, 1996**

[54] **COMPACT FLUORESCENT LAMP**

D. 347,076 5/1994 De Kleine et al. D26/3
D. 348,528 7/1994 De Kleine et al. D26/3

[76] Inventor: **Walter Holzer**, Drosteweg 19, D-88709 Meersburg, Germany

Primary Examiner—A. Hugo Word
Assistant Examiner—Marcus Jackson
Attorney, Agent, or Firm—Robbins, Berliner & Carson

[**] Term: **14 Years**

[57] **CLAIM**

[21] Appl. No.: **19,922**

The ornamental design of a compact fluorescent lamp, as shown and described.

[22] Filed: **Mar. 14, 1994**

[30] **Foreign Application Priority Data**

DESCRIPTION

Sep. 16, 1993 [DE] Germany DM/027309

[52] **U.S. Cl.** **D26/3**

[58] **Field of Search** D26/1, 2, 3, 4;
313/318, 493; 315/53, 56, 57, 58; 362/318,
493

FIG. 1 is a front elevational view showing the design of my compact fluorescent lamp, with the broken line showing for illustrative purposes only and forming no part of the claimed design;

FIG. 2 is a right side elevation view thereof, the left side being a mirror image;

FIG. 3 is a bottom isometric view thereof, with the broken line of the lamp connector shown for illustrative purposes only and forming no part of the claimed design;

FIG. 4 is a top view thereof; and,

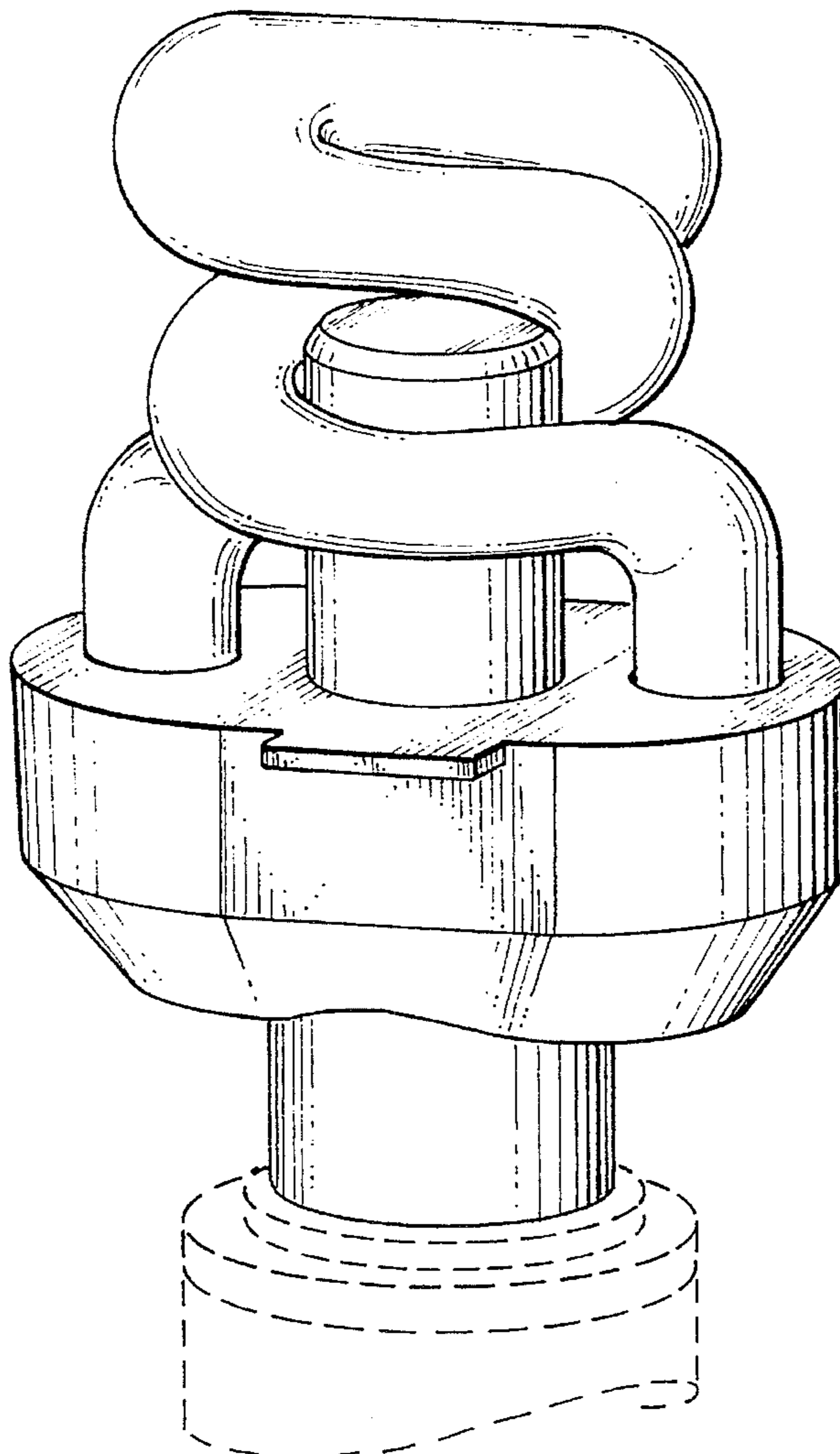
FIG. 5 is a prospective view from the front, top and left side.

[56] **References Cited**

U.S. PATENT DOCUMENTS

D. 284,793 2/1986 Engel D26/3
D. 314,629 2/1991 Sanger et al. D26/3
D. 334,245 3/1993 Blaisdell et al. D26/3
D. 346,456 4/1994 Matsumura et al. D26/3

1 Claim, 5 Drawing Sheets



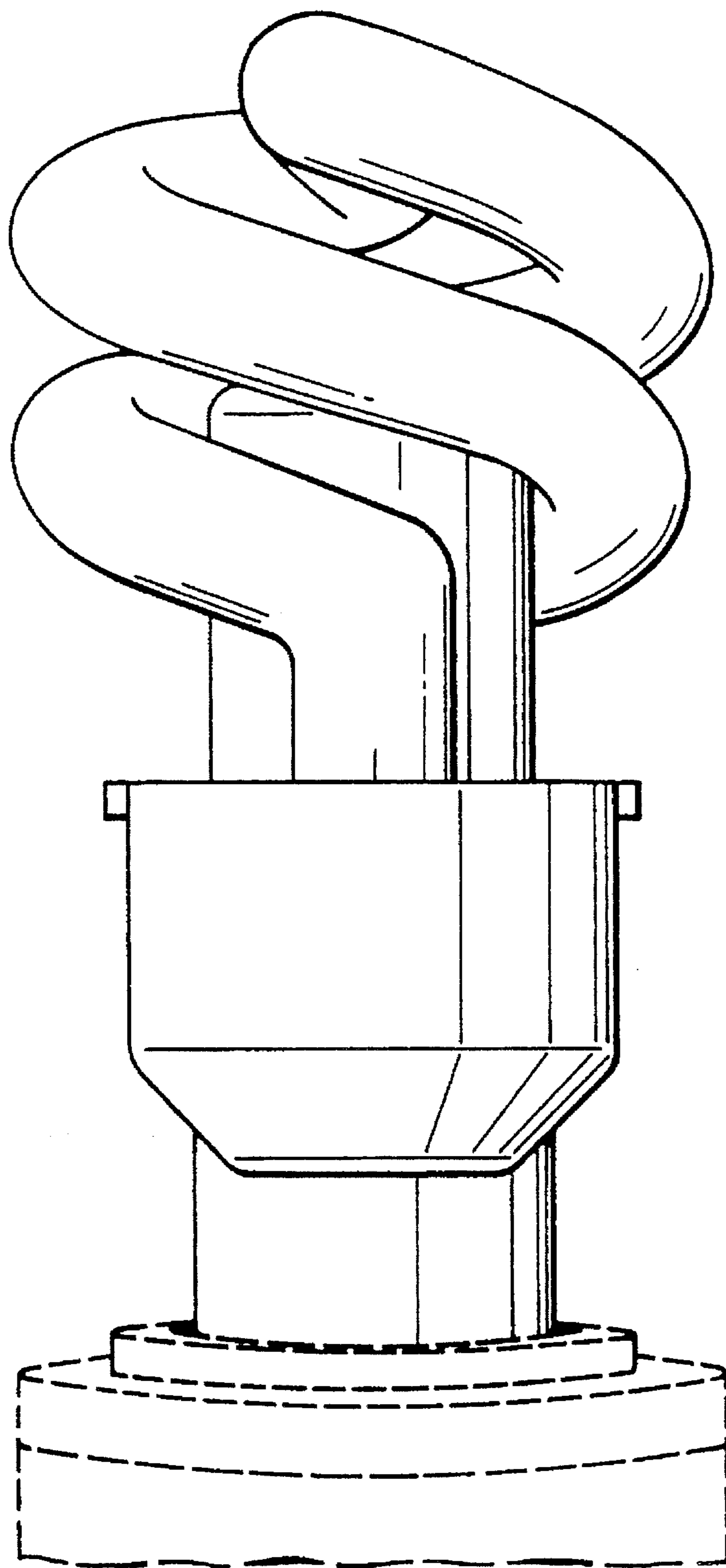


Fig. 1

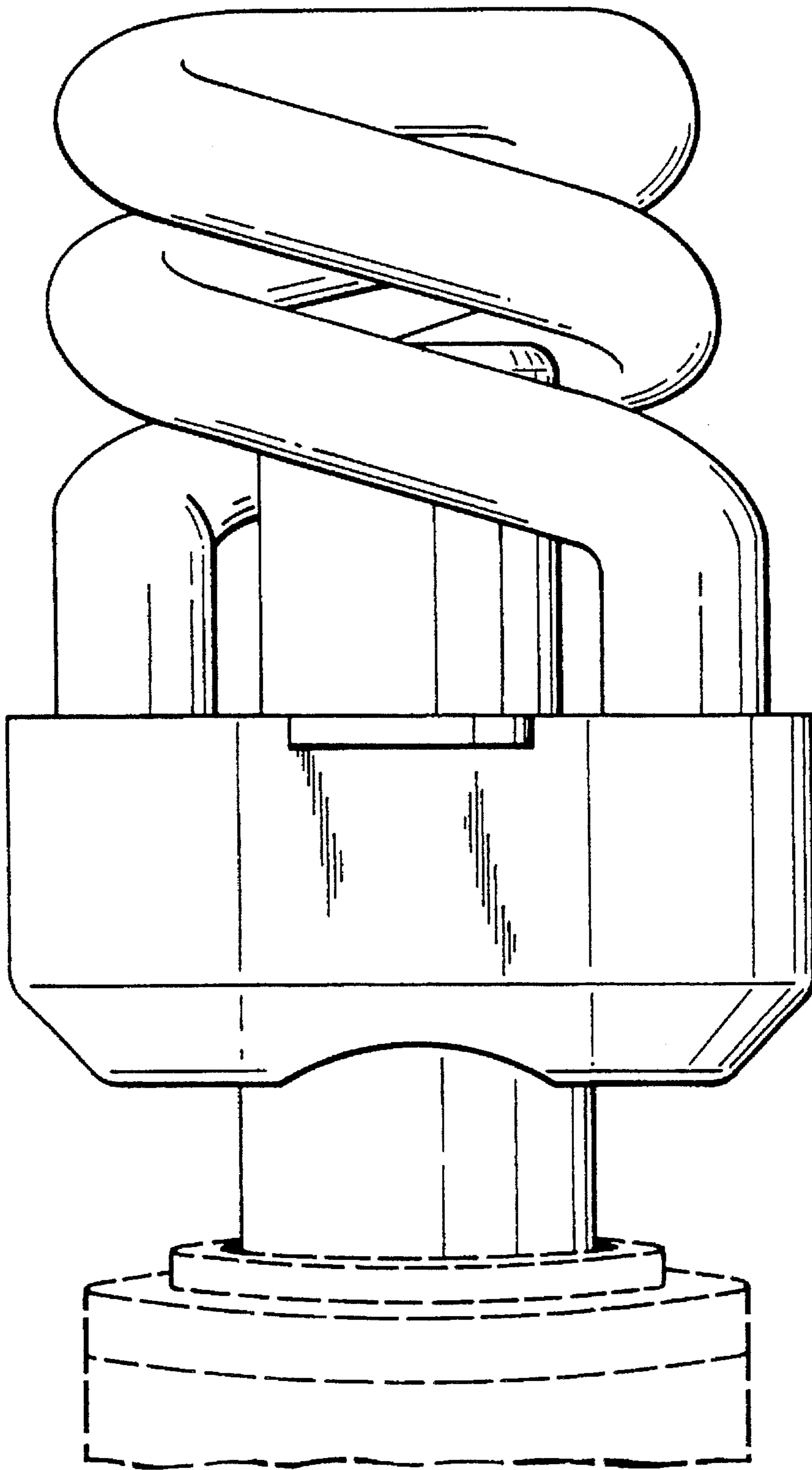


Fig. 2

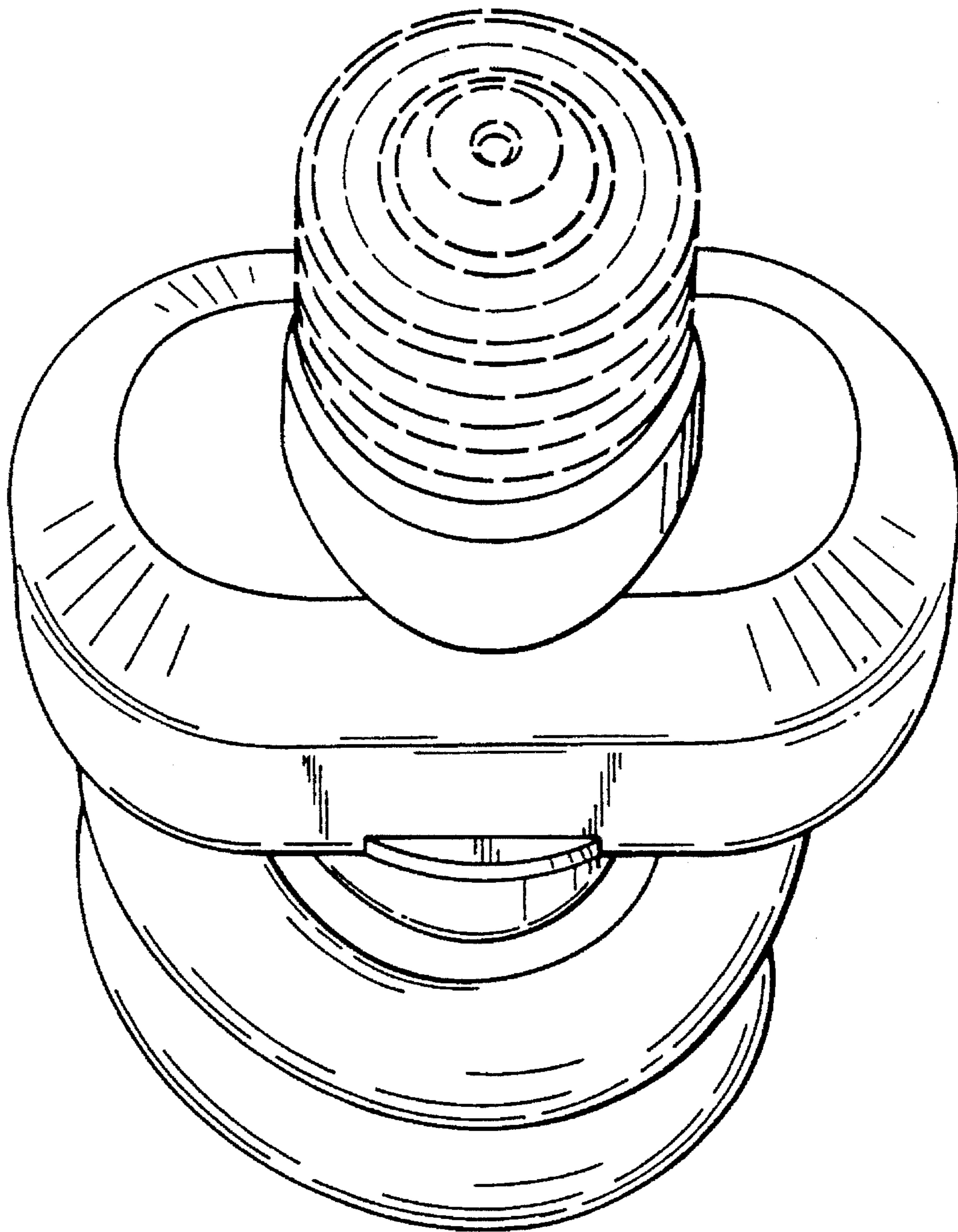


Fig. 3

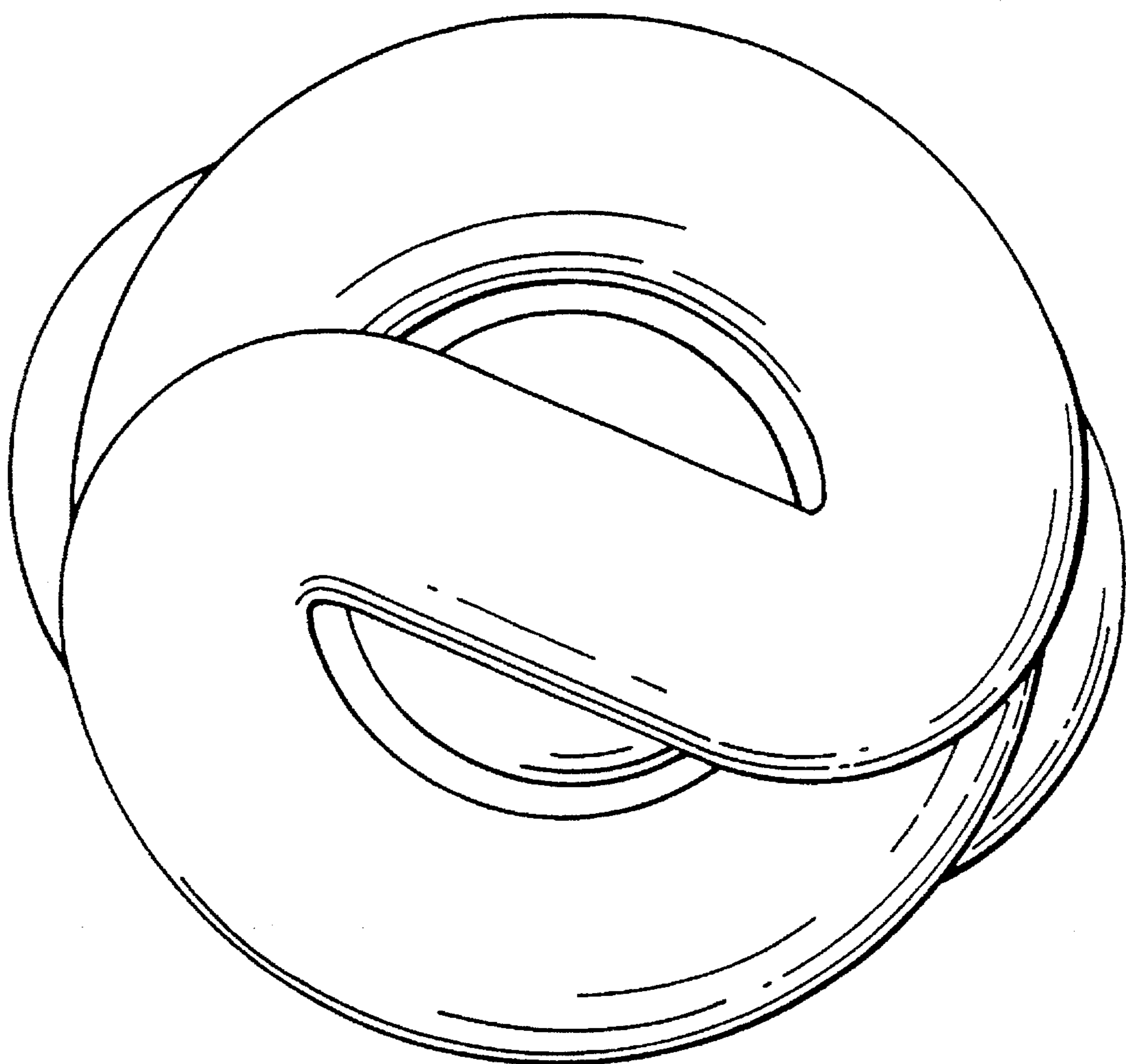


Fig. 4

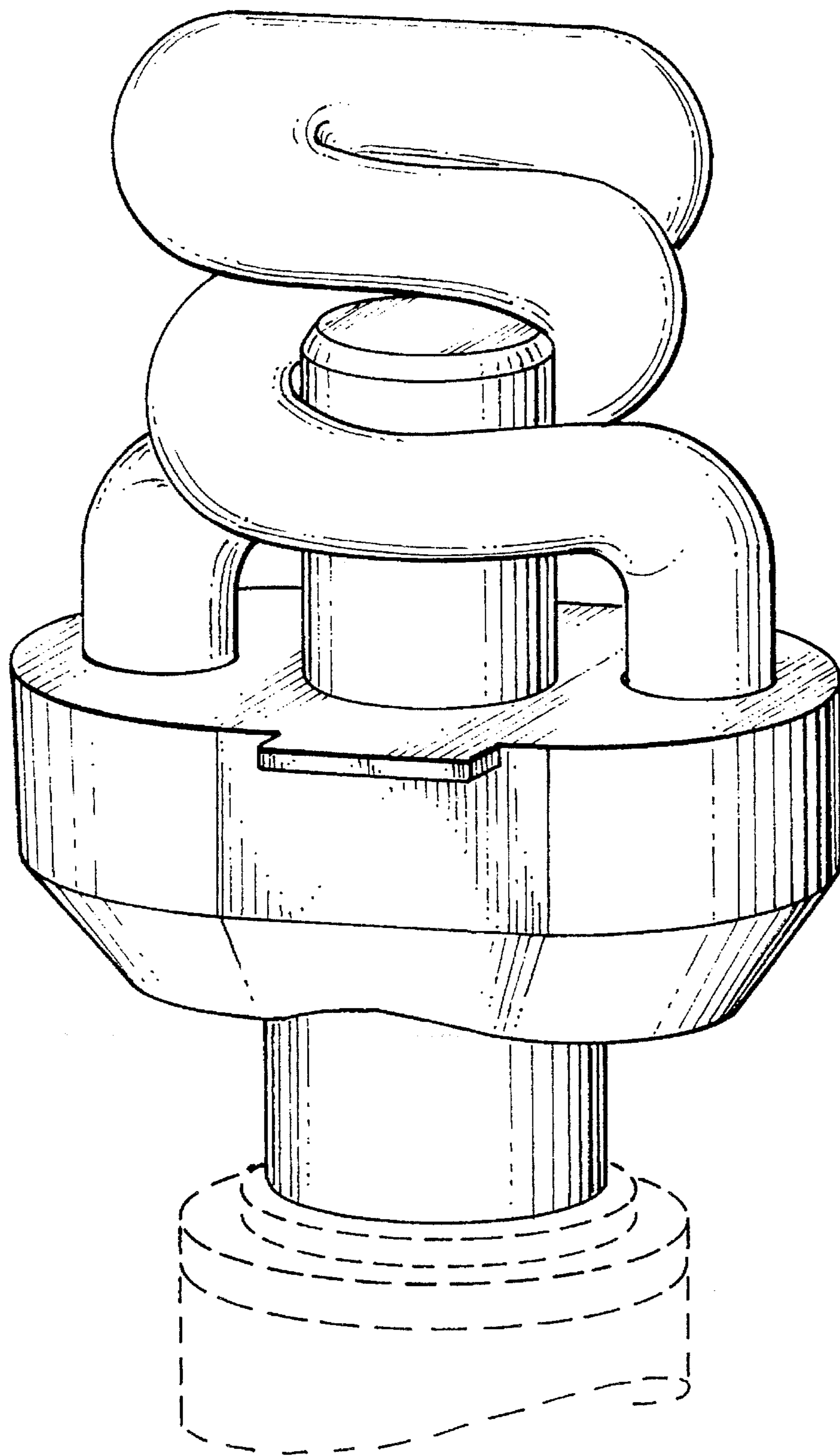


Fig. 5