



US00D368137S

United States Patent [19]
Gregg, III

[11] **Patent Number: Des. 368,137**
[45] **Date of Patent: **Mar. 19, 1996**

[54] **FOREIGN OBJECT DETECTOR FOR HUMAN OR OTHER ANIMAL BODY**

Primary Examiner—Stella Reid
Attorney, Agent, or Firm—James A. Wong

[76] Inventor: **Eugene S. Gregg, III**, 20 Sall Port Rd., Hilton Head Island, S.C. 29928

[57] **CLAIM**

[**] Term: **14 Years**

The ornamental design for a foreign object detector for human or other animal body, as shown and described.

[21] Appl. No.: **27,112**

DESCRIPTION

[22] Filed: **Aug. 12, 1994**

[52] U.S. Cl. **D24/186**

[58] Field of Search D24/186, 168, D24/165, 167; 128/654; 378/4, 8, 20, 62, 57; 367/87, 93, 94

FIG. 1 is a front, top and left side perspective view of a foreign object detector, showing my new design, with the cord broken away for ease of illustration;

FIG. 2 is a front elevational thereof;

FIG. 3 is a left side elevational view thereof;

FIG. 4 is a right side elevational view thereof;

FIG. 5 is a top plan view thereof; and,

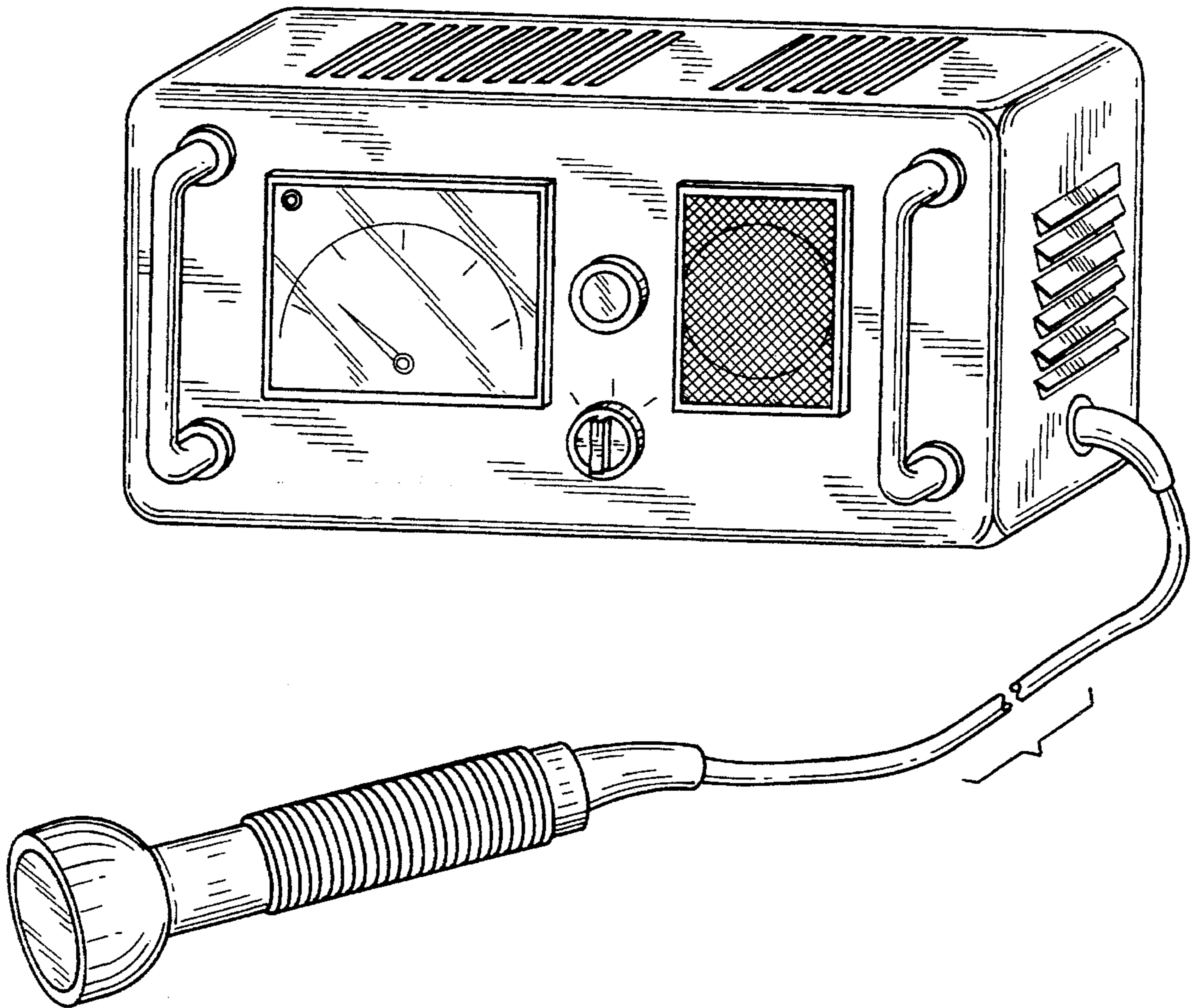
FIG. 6 is a rear side elevational view thereof.

[56] **References Cited**

U.S. PATENT DOCUMENTS

2,712,975 7/1955 Golseth et al. D24/186 X
5,261,406 11/1993 Mackay 128/654

1 Claim, 2 Drawing Sheets



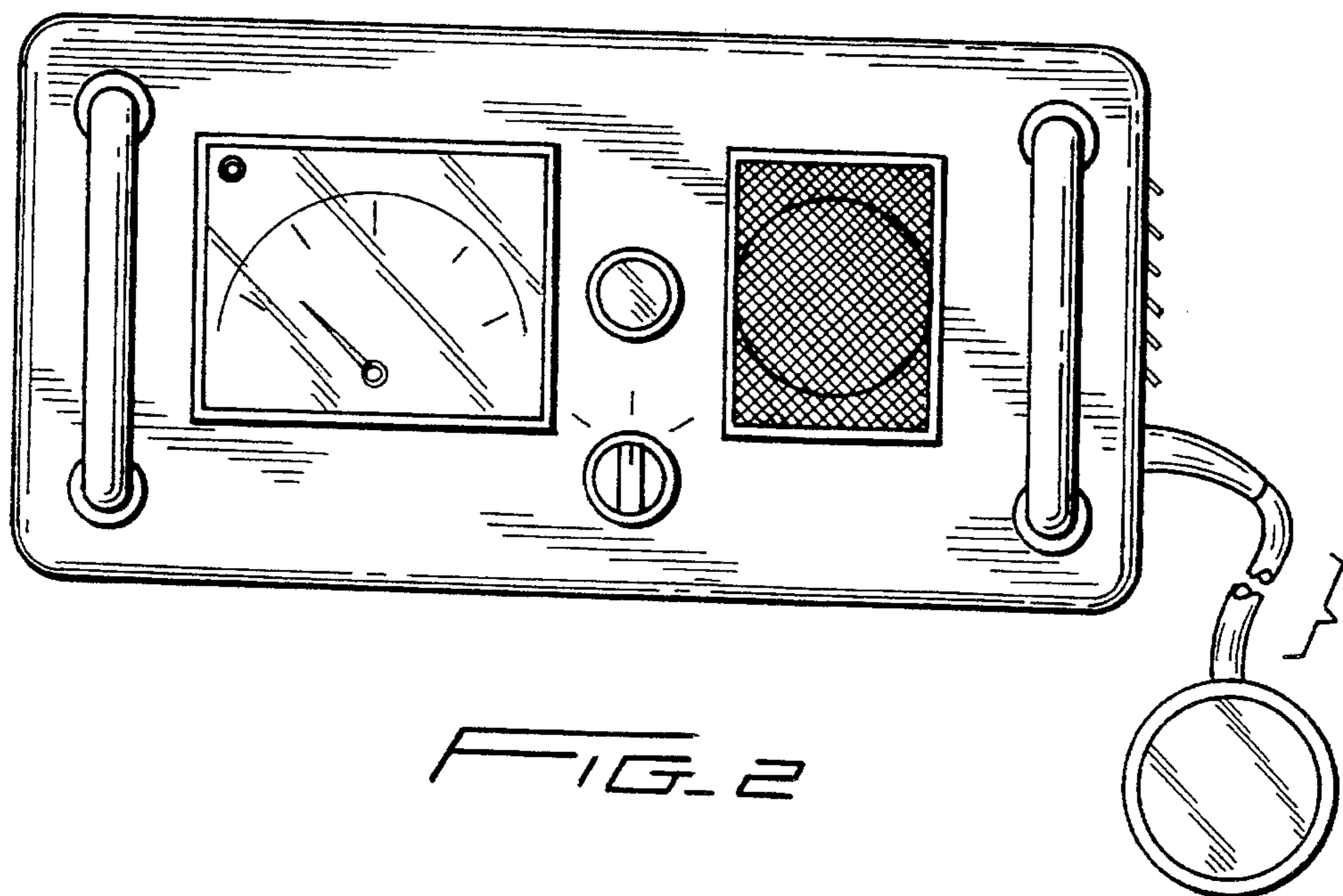
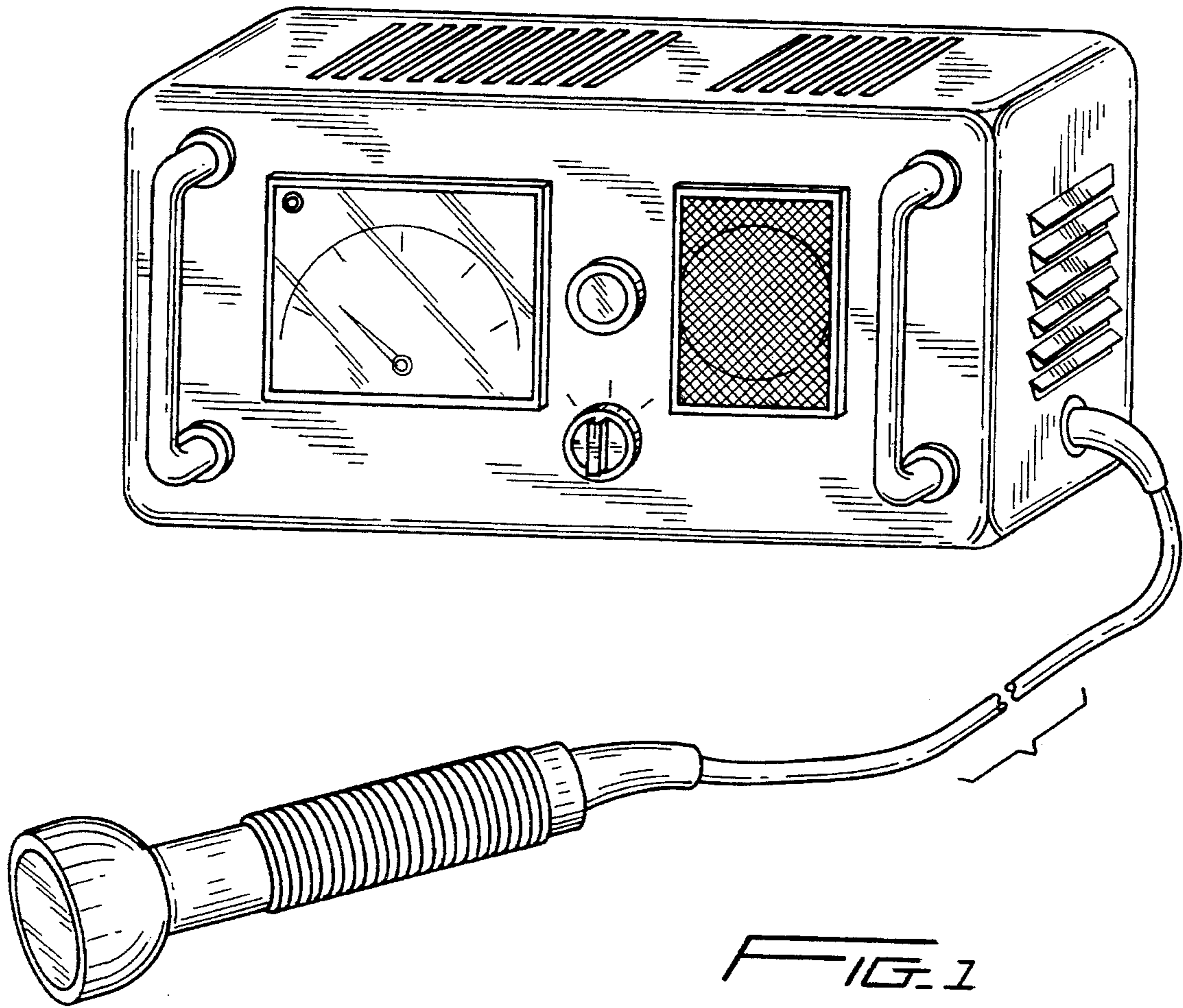


FIG. 3

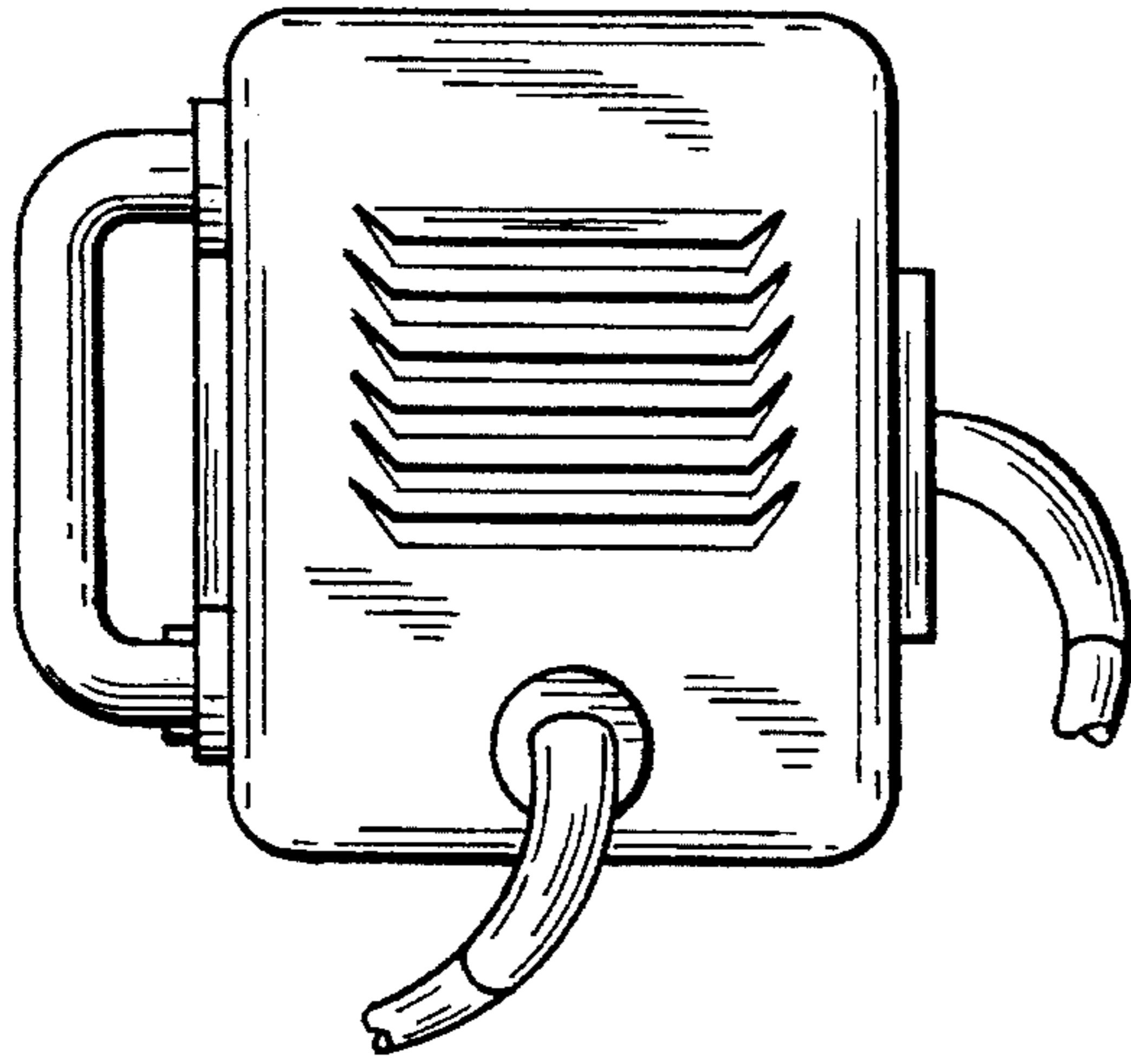


FIG. 4

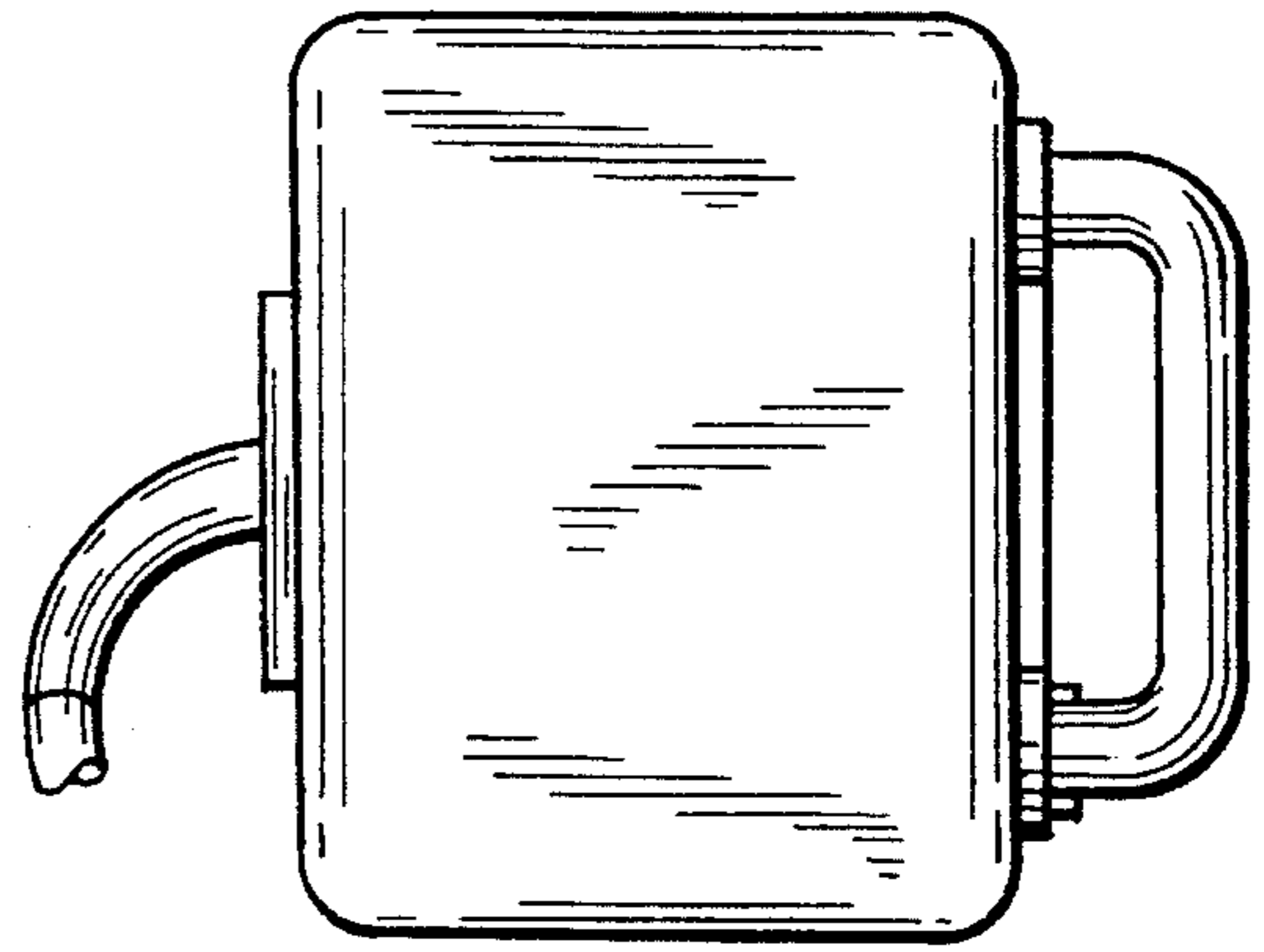


FIG. 5

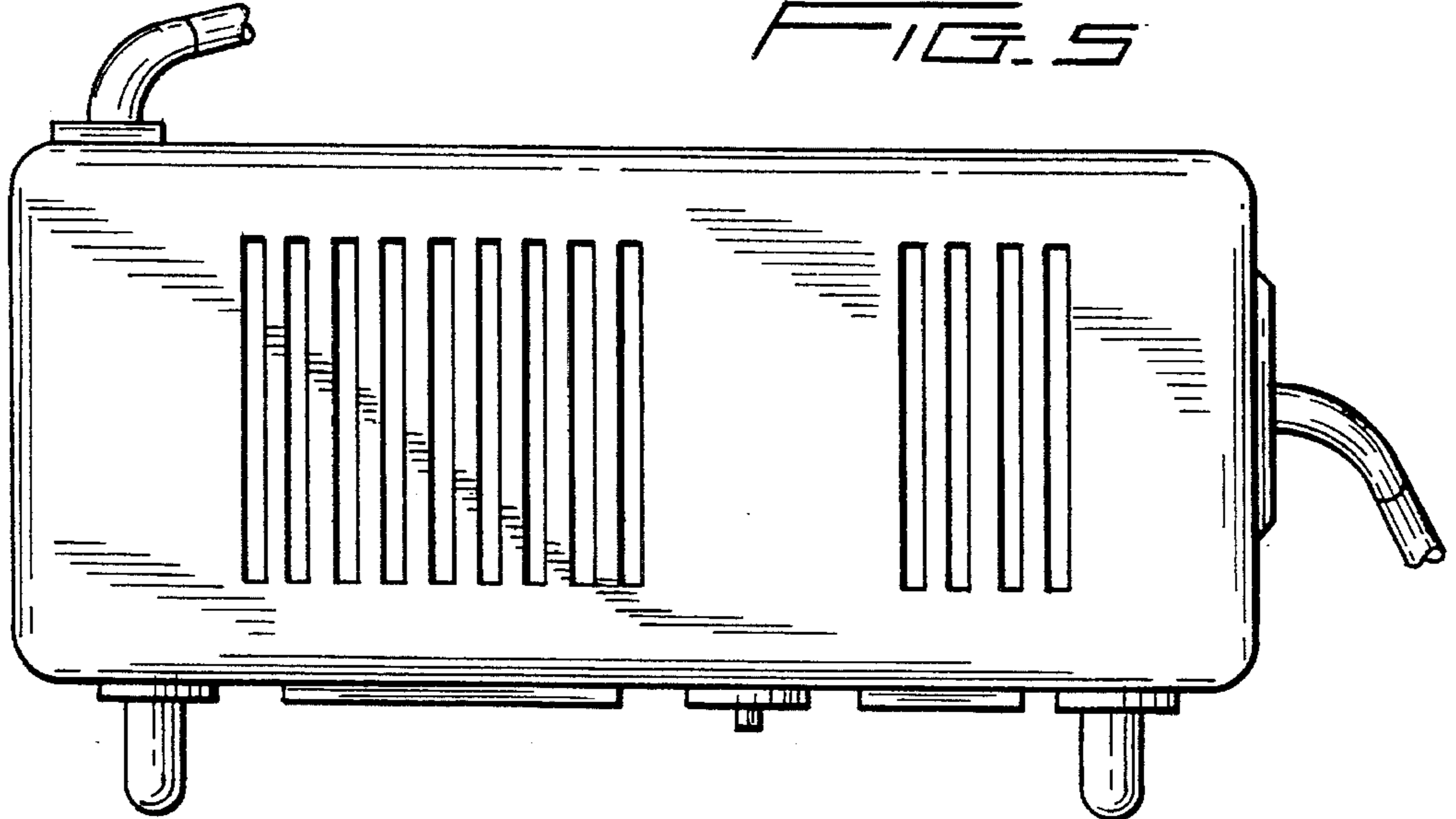


FIG. 6

