



US00D368136S

**United States Patent** [19]  
**Reif**

[11] **Patent Number: Des. 368,136**  
[45] **Date of Patent: \*\*Mar. 19, 1996**

[54] **HEART VALVE PIVOT ARRANGEMENT**

[75] Inventor: **Thomas H. Reif**, St. Lucie, Fla.  
[73] Assignee: **Republic Medical Products Inc.**, Vero Beach, Fla.  
[\*\*] Term: **14 Years**  
[21] Appl. No.: **30,864**  
[22] Filed: **Nov. 10, 1994**

**Related U.S. Application Data**

[62] Division of Ser. No. 873,061, Apr. 24, 1992, Pat. No. Des. 358,648.  
[52] **U.S. Cl.** ..... **D24/155**  
[58] **Field of Search** ..... **D24/155; 623/2**

[56] **References Cited**

**U.S. PATENT DOCUMENTS**

D. 334,806	4/1993	Reif	.....	D24/155
4,655,772	4/1987	De Liotta et al.	.....	623/2
4,863,458	9/1989	Bokros	.....	623/2
4,863,467	9/1989	Bokros	.....	623/2

*Primary Examiner*—Stella Reid  
*Attorney, Agent, or Firm*—Albert H. Reuther

[57] **CLAIM**

The ornamental design for heart valve pivot arrangement, as shown and described.

**DESCRIPTION**

FIG. 1 is a top, front, side perspective view of a heart valve pivot arrangement, having flat monoleaflet configuration, in closed position;  
FIG. 2 is a bottom, rear, side perspective view thereof;

FIG. 3 is a cross-sectional view thereof, taken along line 3—3 of FIG. 1;  
FIG. 4 is a cross-sectional view of a second embodiment, having a curved monoleaflet configuration;  
FIG. 5 is a cross-sectional view, of a third embodiment, similar to that shown in FIG. 3, having different guide projections in the wall structure;  
FIG. 6 is a cross-sectional view, of a fourth embodiment, similar to that shown in FIG. 4, having different guide projections in the wall structure;  
FIG. 7 is a top, front, side perspective view of FIG. 1 in open position;  
FIG. 8 is a bottom, rear, side perspective view thereof;  
FIG. 9 is a cross-sectional view thereof, taken along line 9—9 of FIG. 7;  
FIG. 10 is a cross-sectional view, of the second embodiment shown in FIG. 4, in open position;  
FIG. 11 is a cross-sectional view, of the third embodiment shown in FIG. 5, in open position;  
FIG. 12 is a cross-sectional view, of the fourth embodiment shown in FIG. 6, in open position;  
FIG. 13 is a side elevational view of the embodiments shown in FIGS. 1—6, all other sides being a mirror image thereof;  
FIG. 14 is a top plan view of the embodiments of FIGS. 1—6, reference being made to FIG. 1;  
FIG. 15 is a bottom plan view of the embodiments of FIGS. 1—6, reference being made to FIG. 2;  
FIG. 16 is a side elevational view of FIGS. 7—9 and 11, with the side elevational views of FIGS. 10 and 12 being very similar FIG. 16, with the only difference residing in the appearance of a curved leaflet as seen in FIG. 10;  
FIG. 17 is a front elevational view of FIGS. 7—9 and 11 looking from the left of FIG. 16;  
FIG. 18 is a top plan view thereof;  
FIG. 19 is a rear elevational view thereof, looking from the right of FIG. 16; and  
FIG. 20 is a bottom plan view thereof.

**1 Claim, 4 Drawing Sheets**

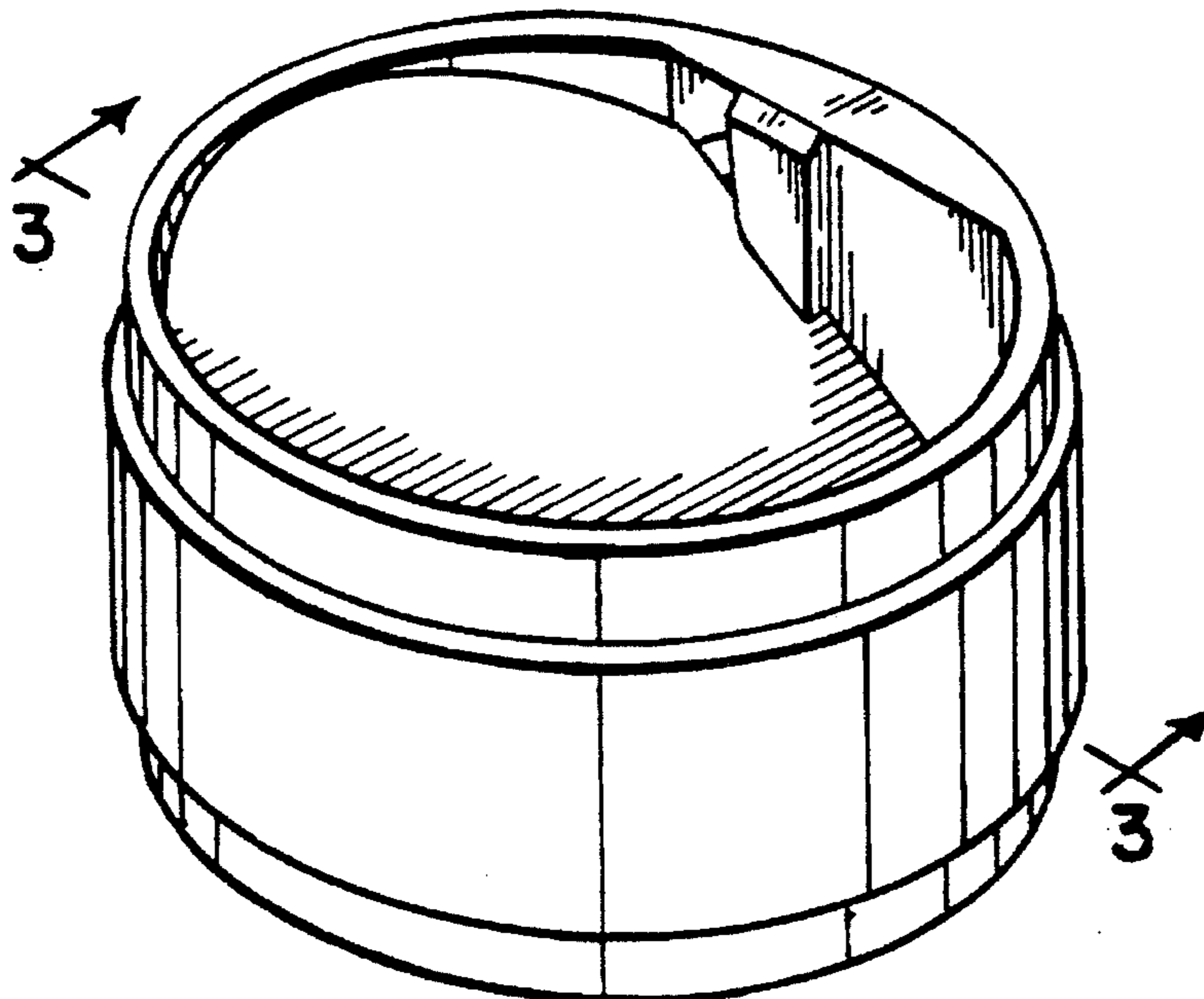


FIG-1

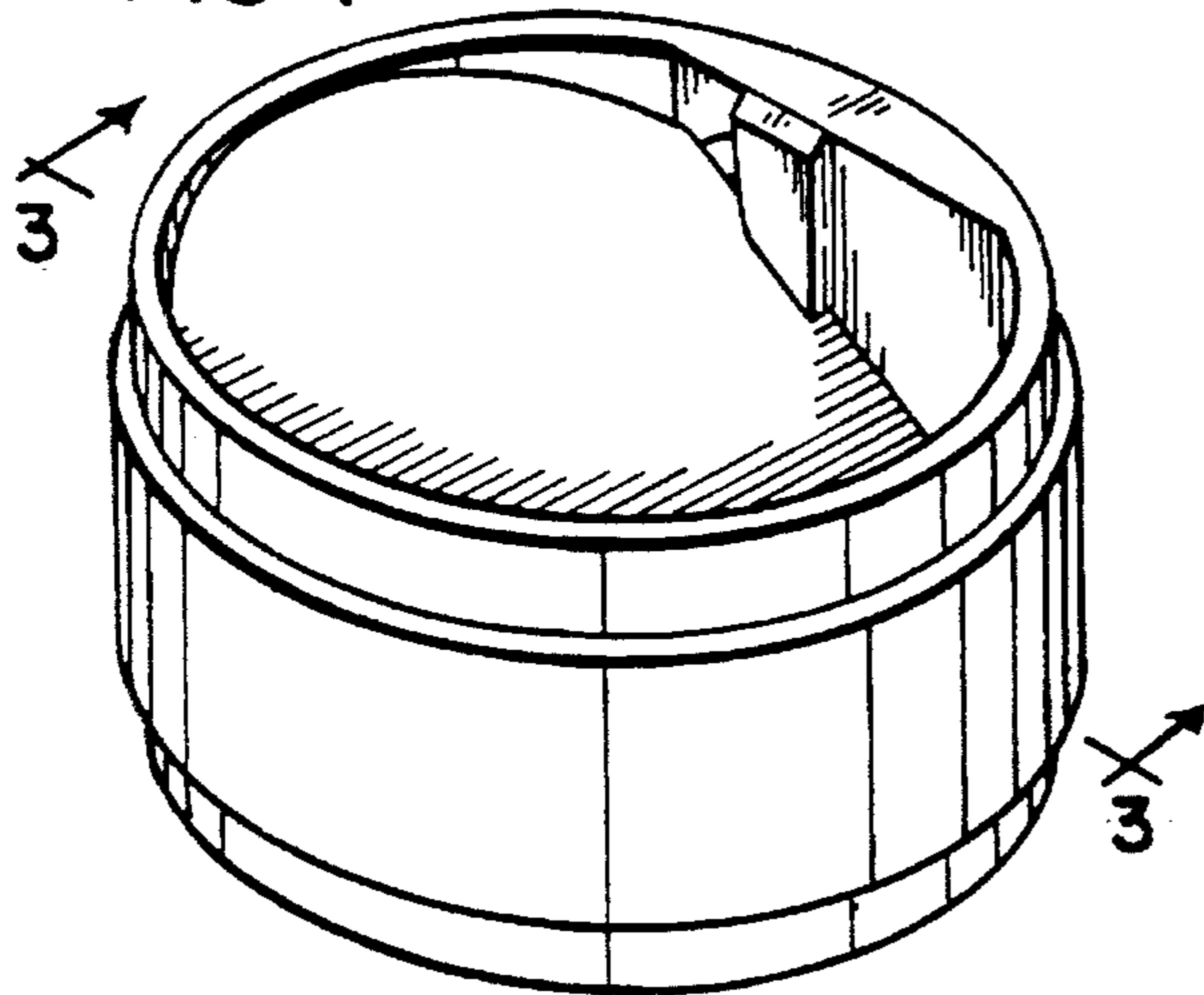


FIG-2

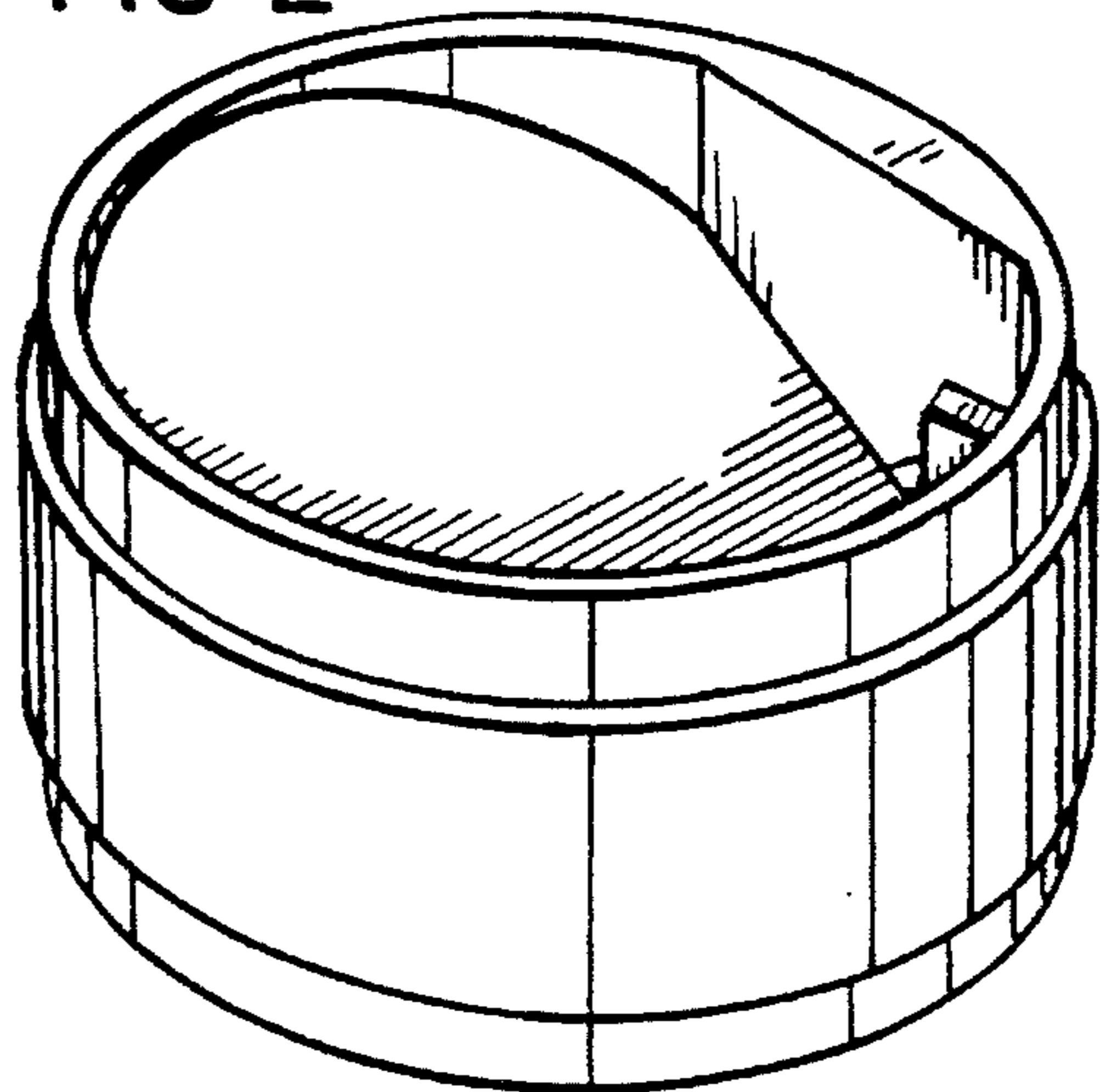


FIG-3

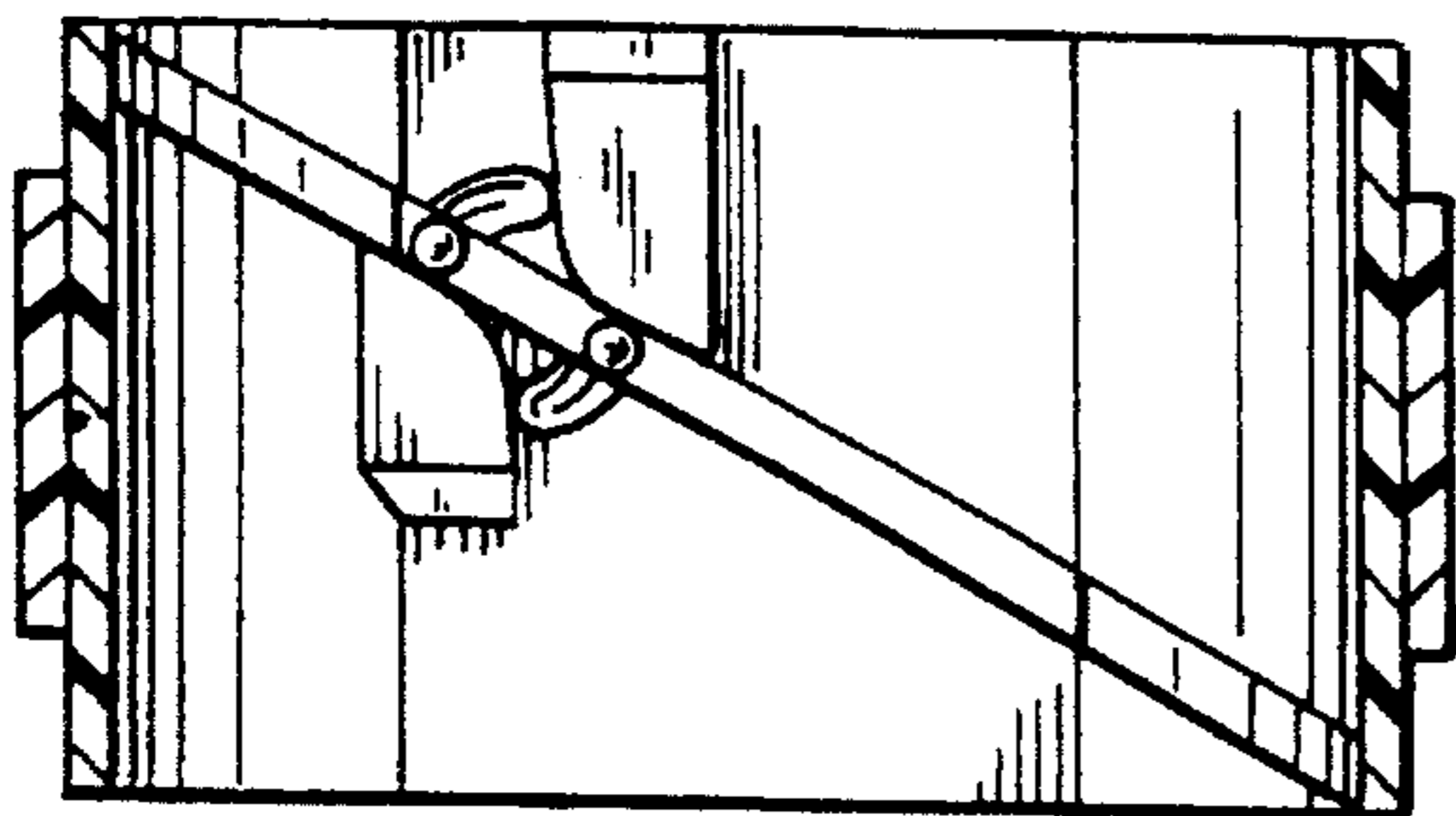


FIG-4

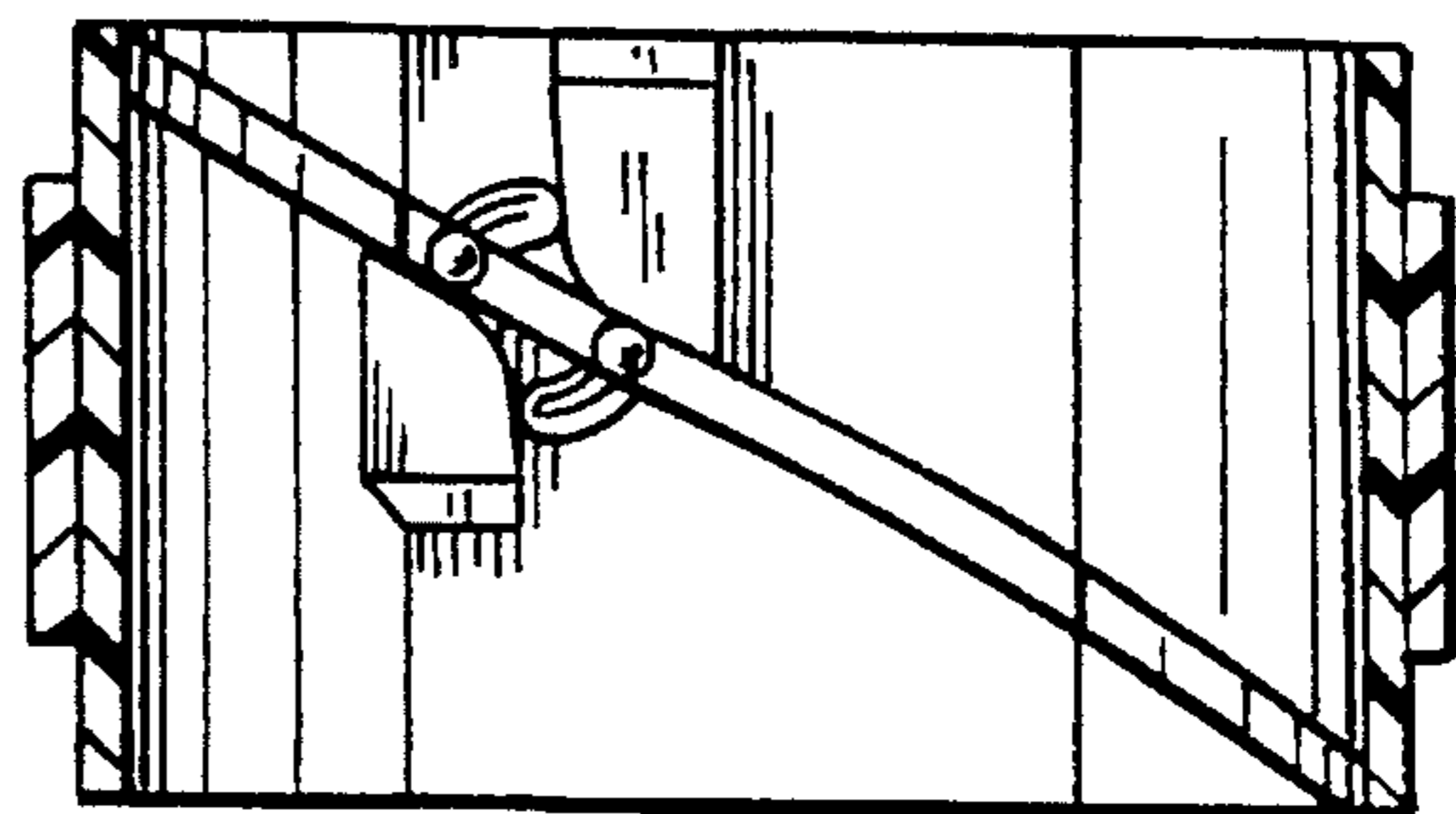


FIG-5

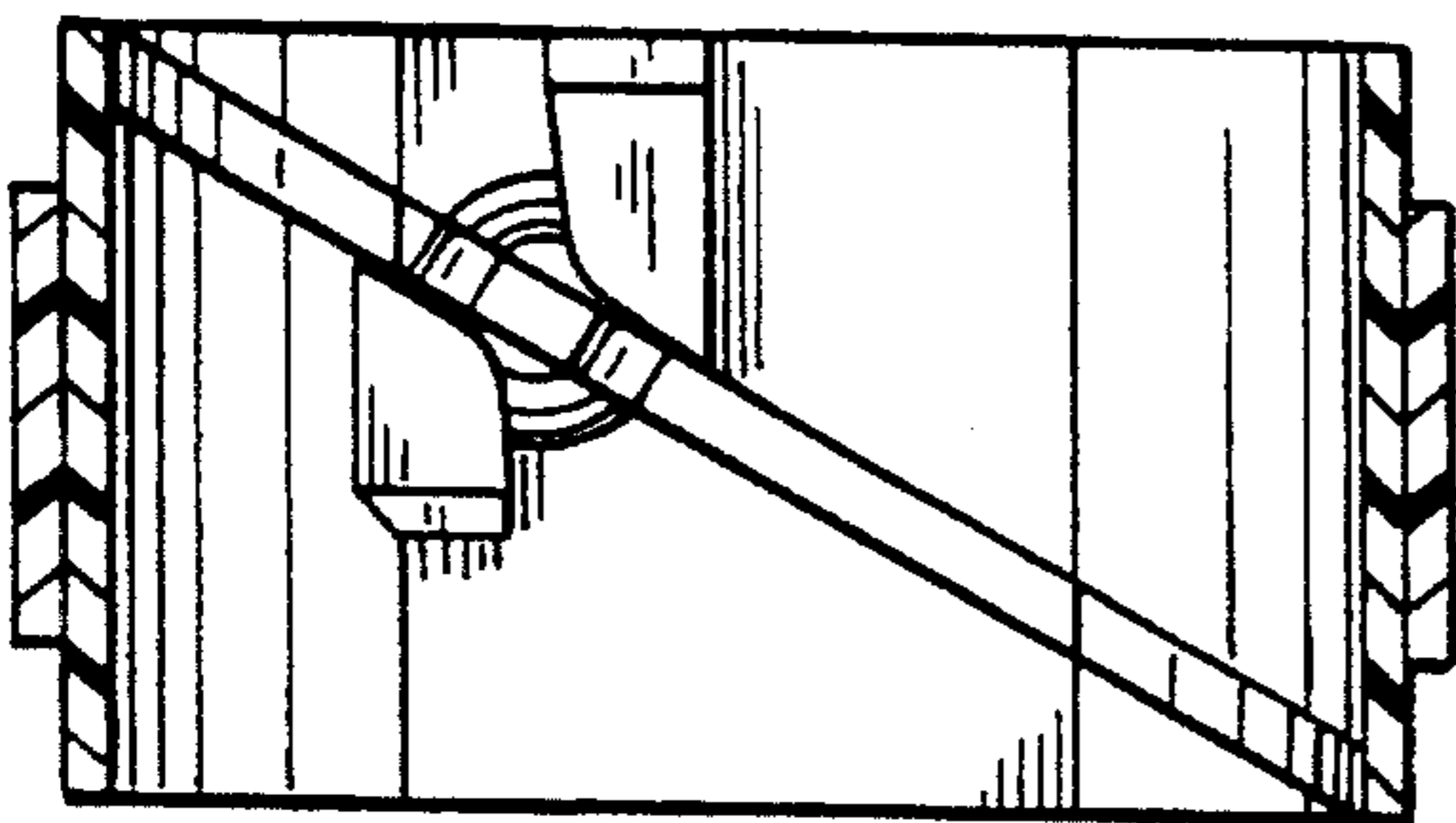


FIG-6

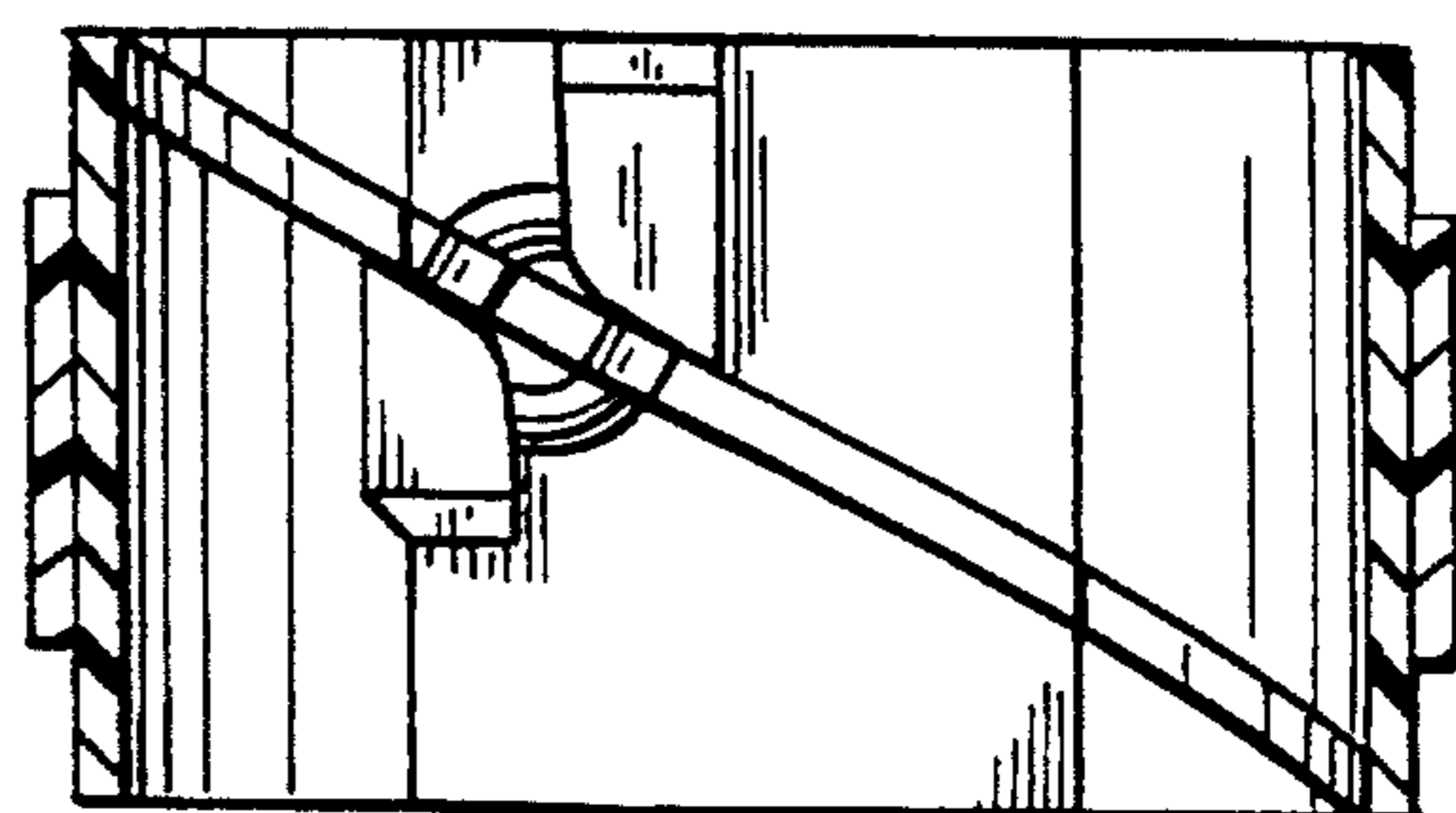




FIG-7

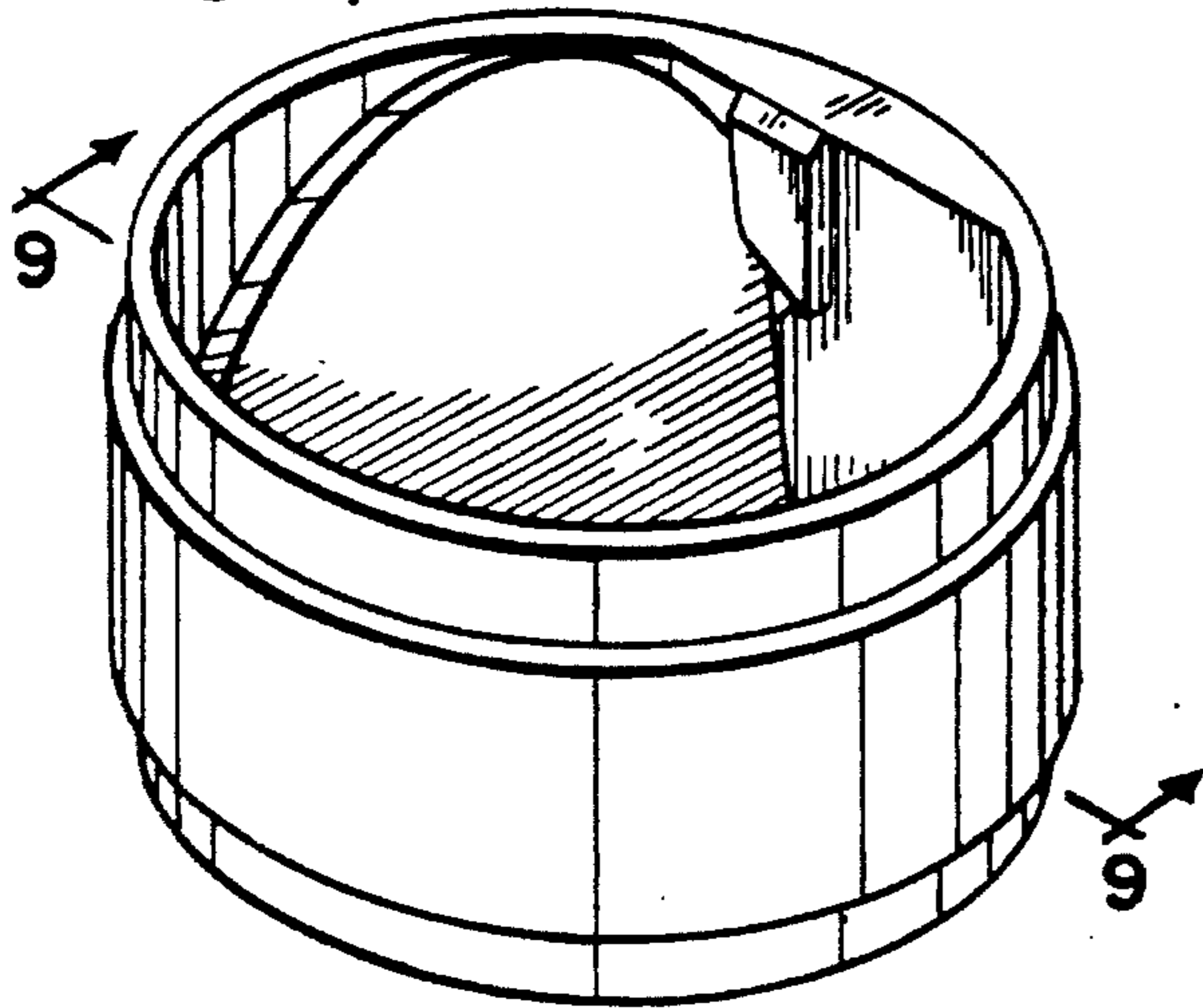


FIG-8

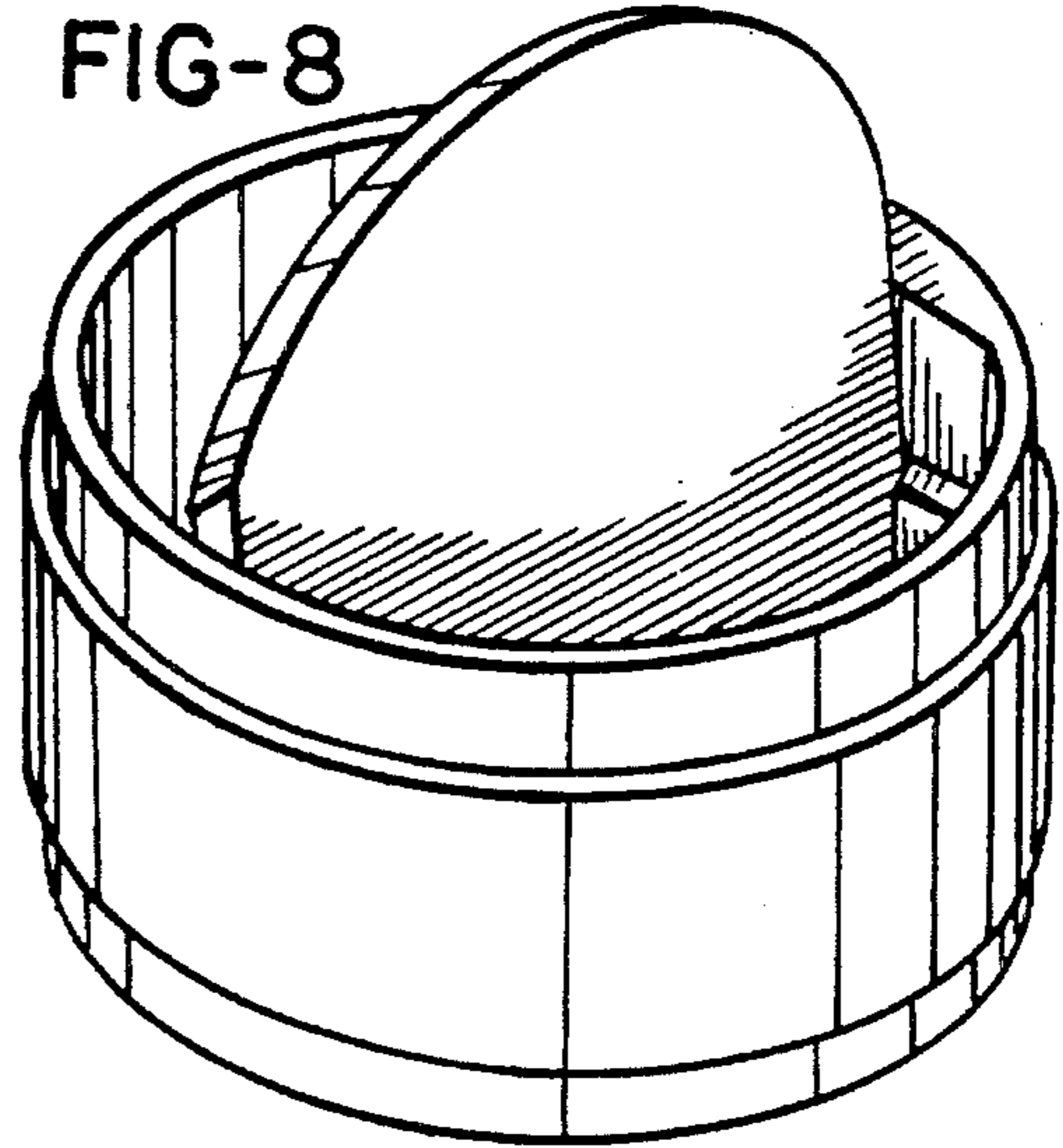


FIG-9

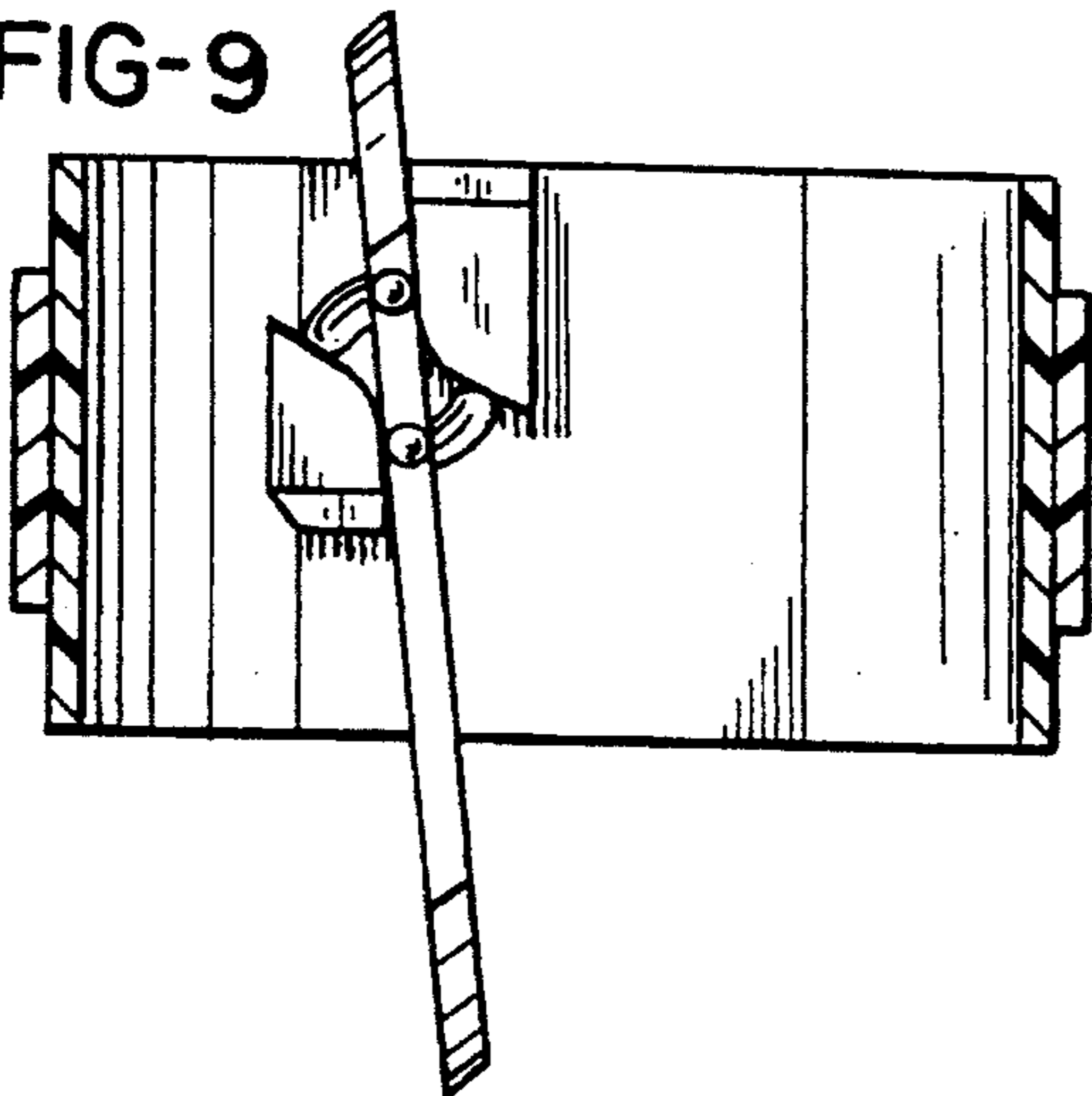


FIG-10

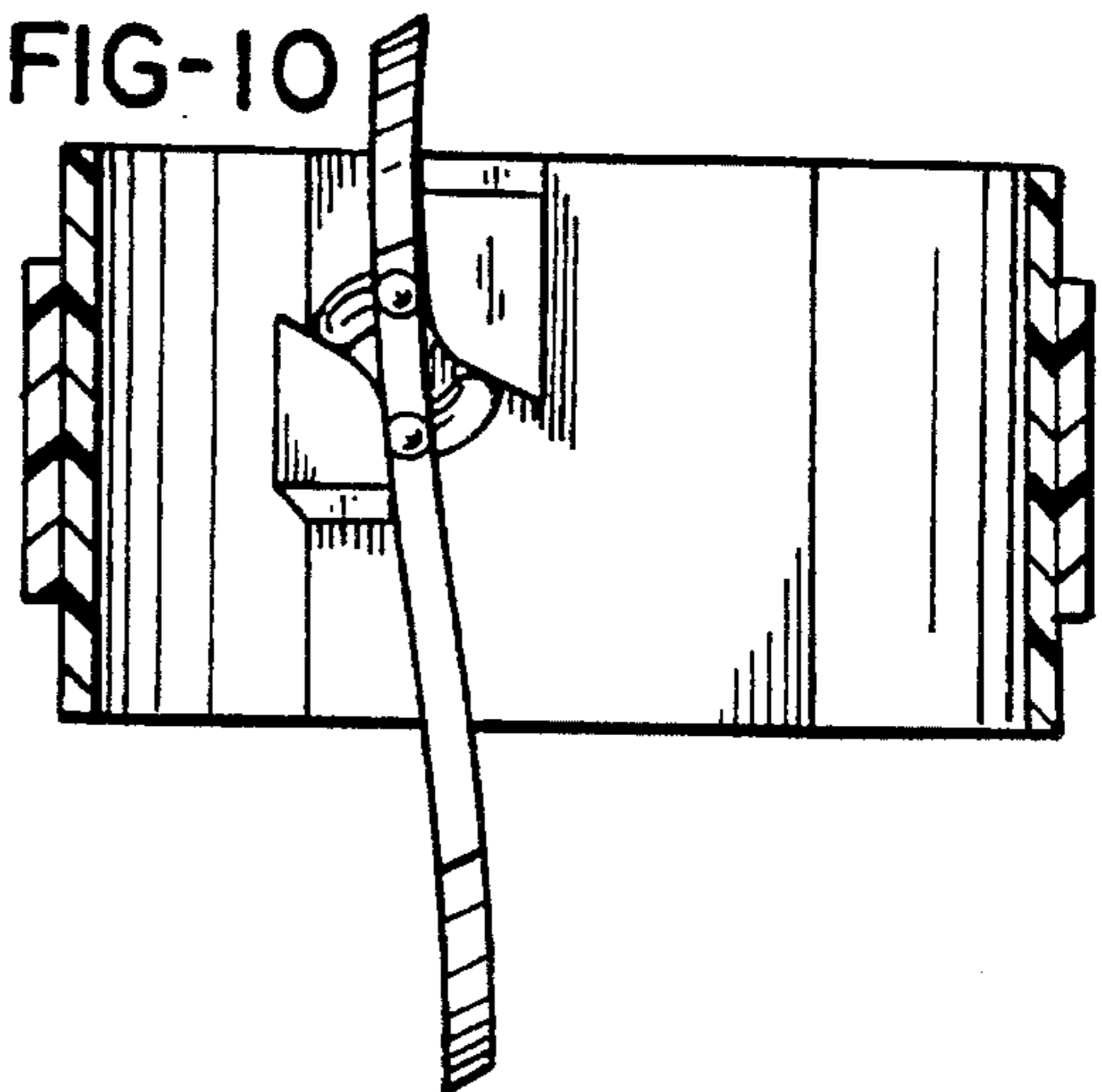


FIG-11

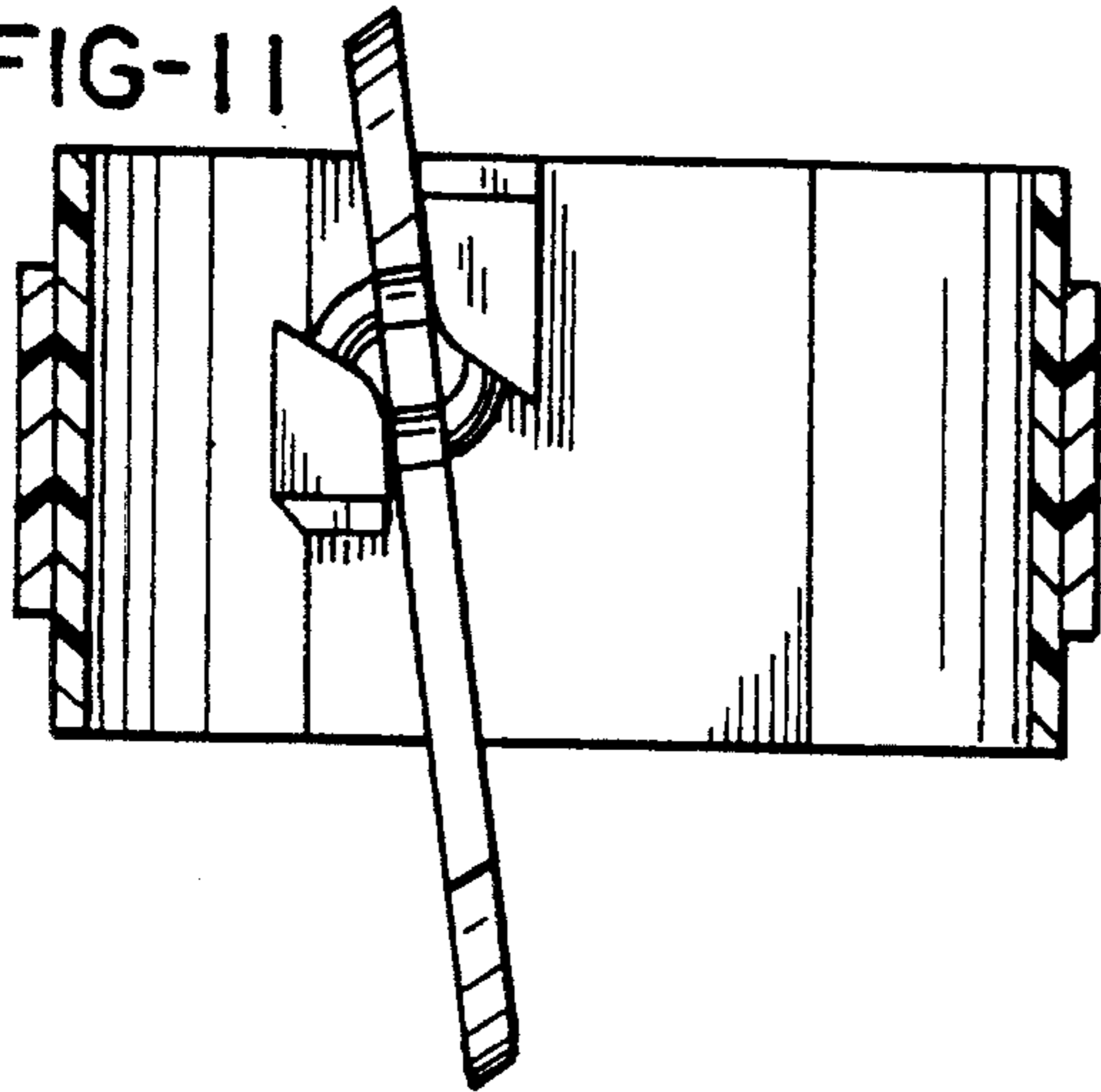


FIG-12

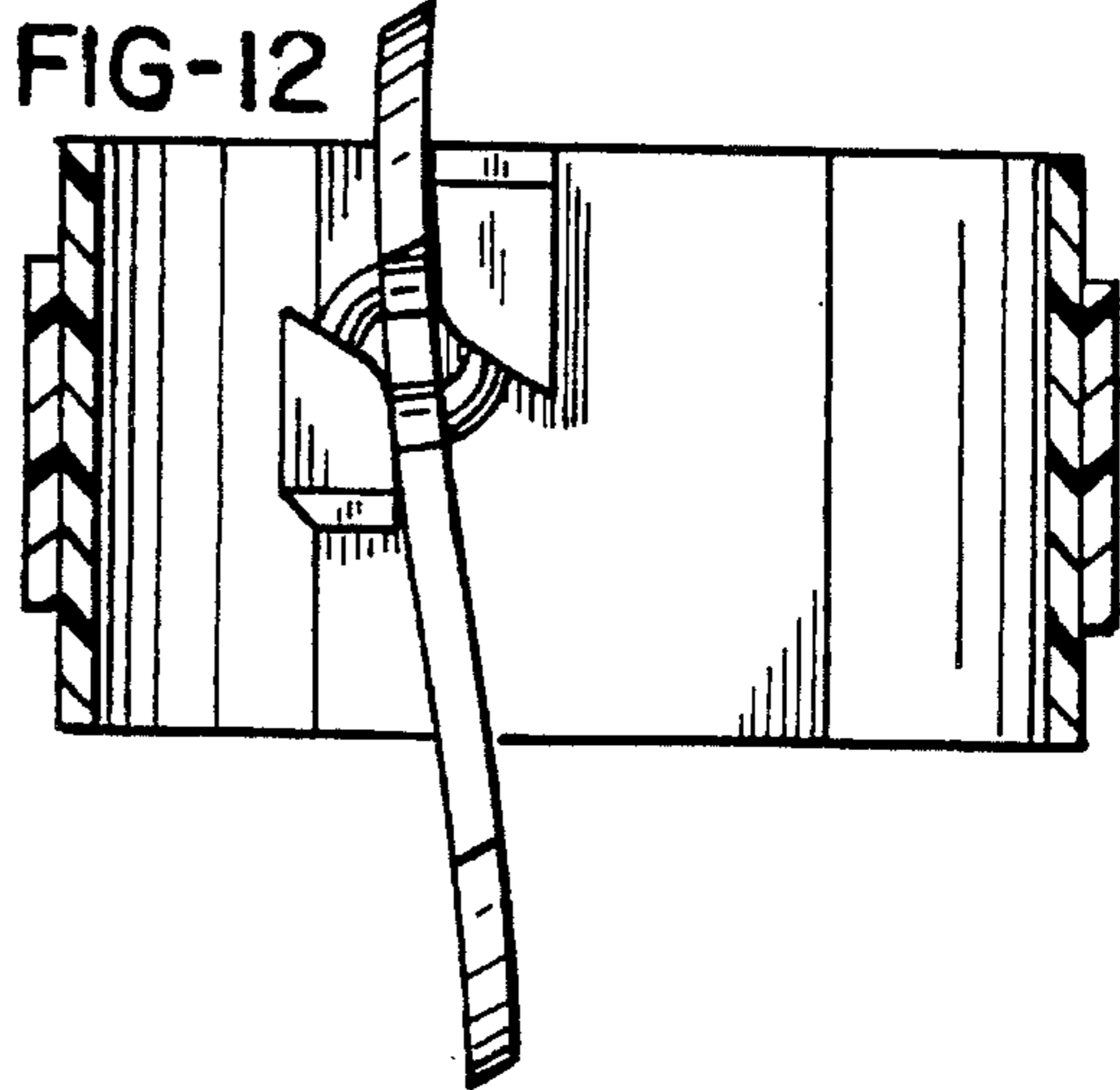


FIG-13

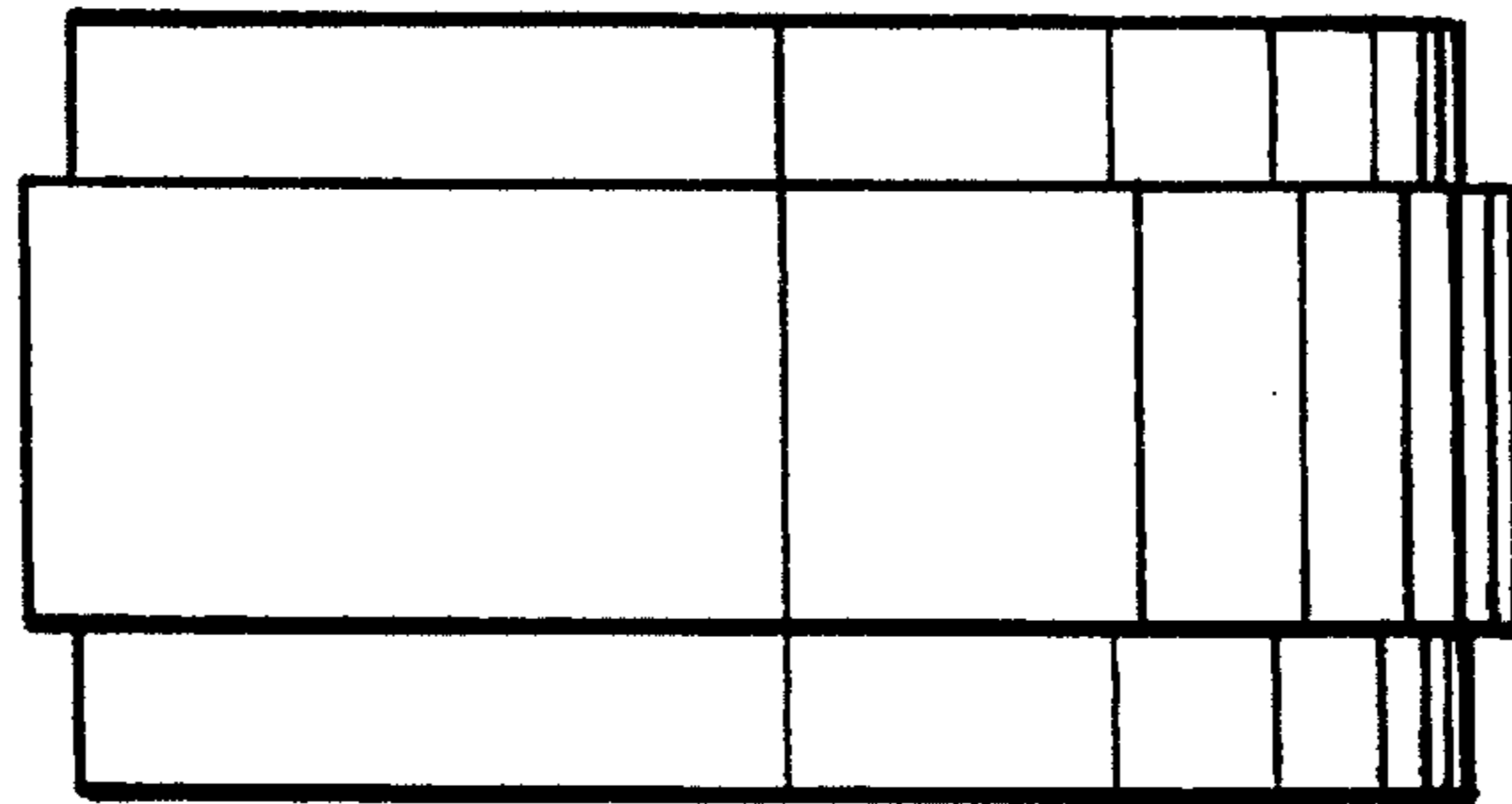


FIG-14

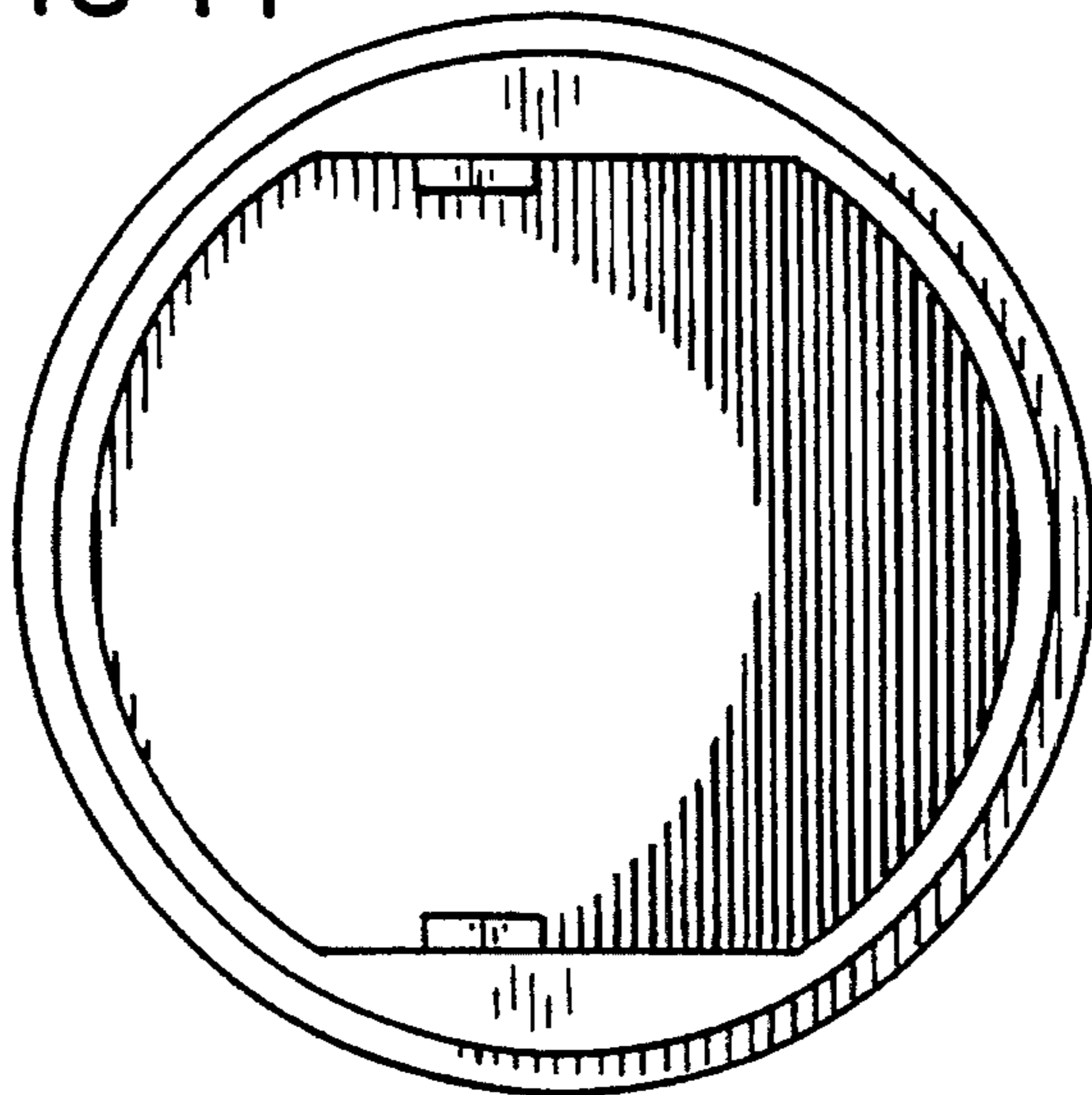


FIG-15

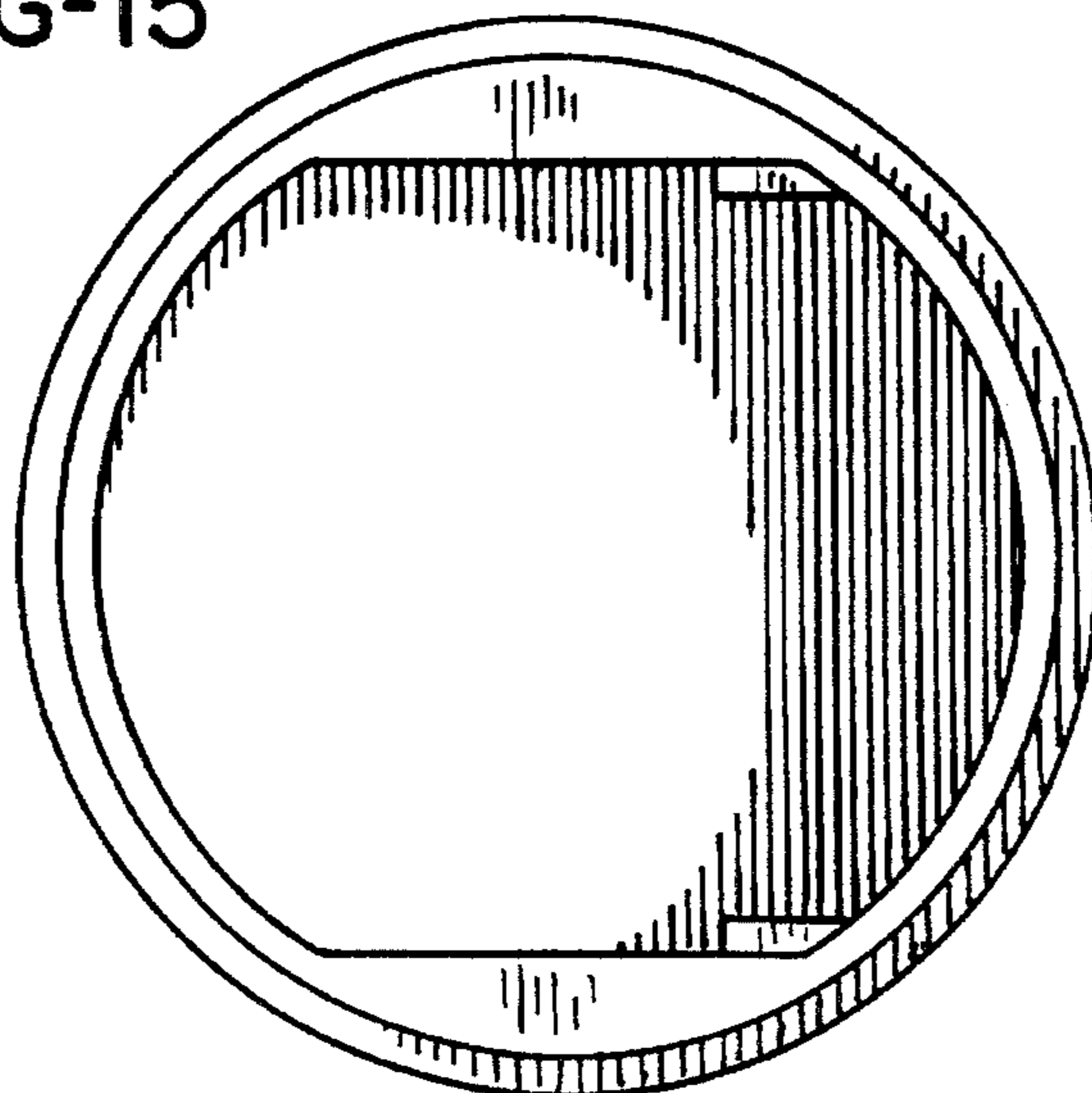


FIG-16

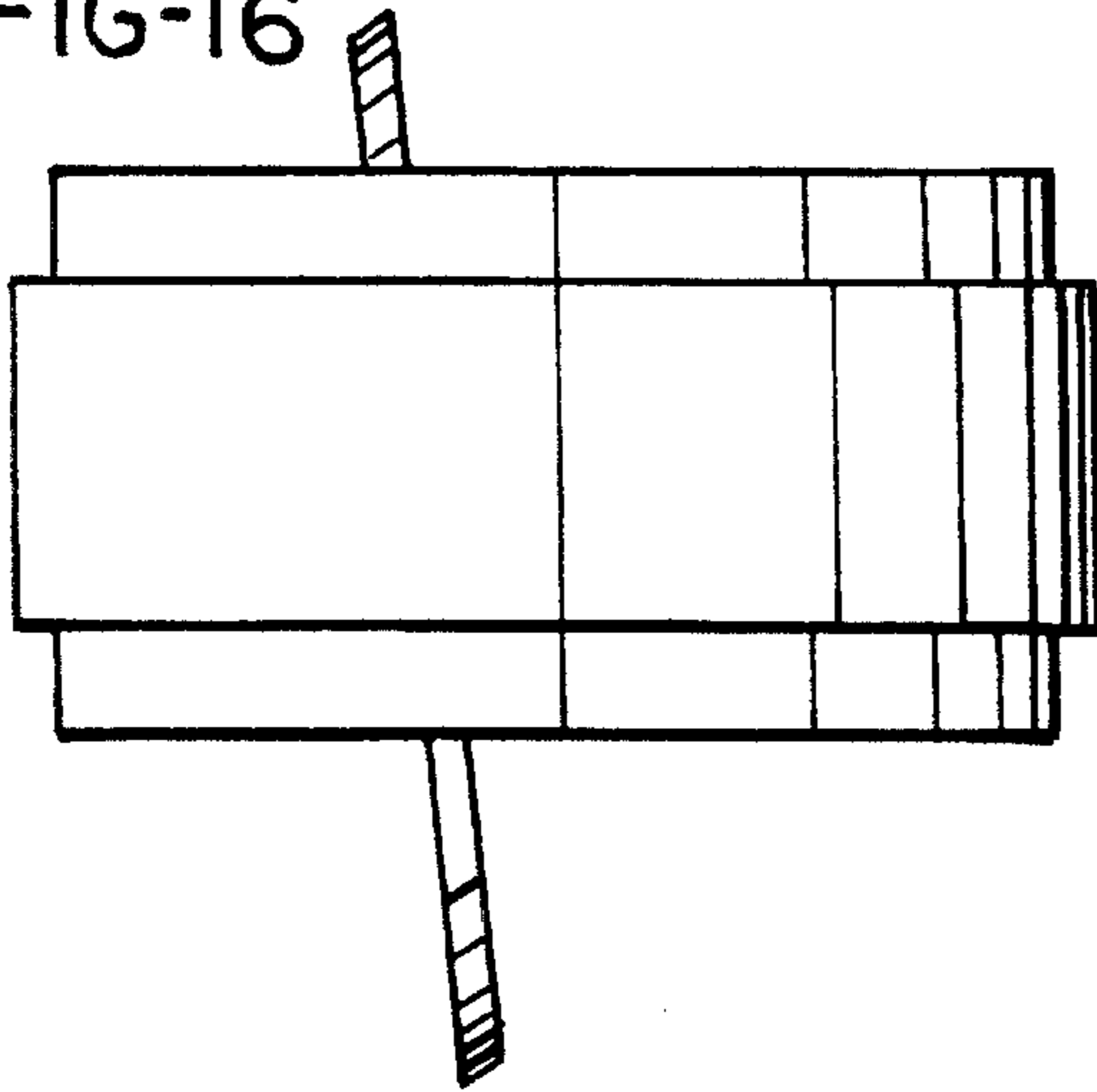


FIG-17

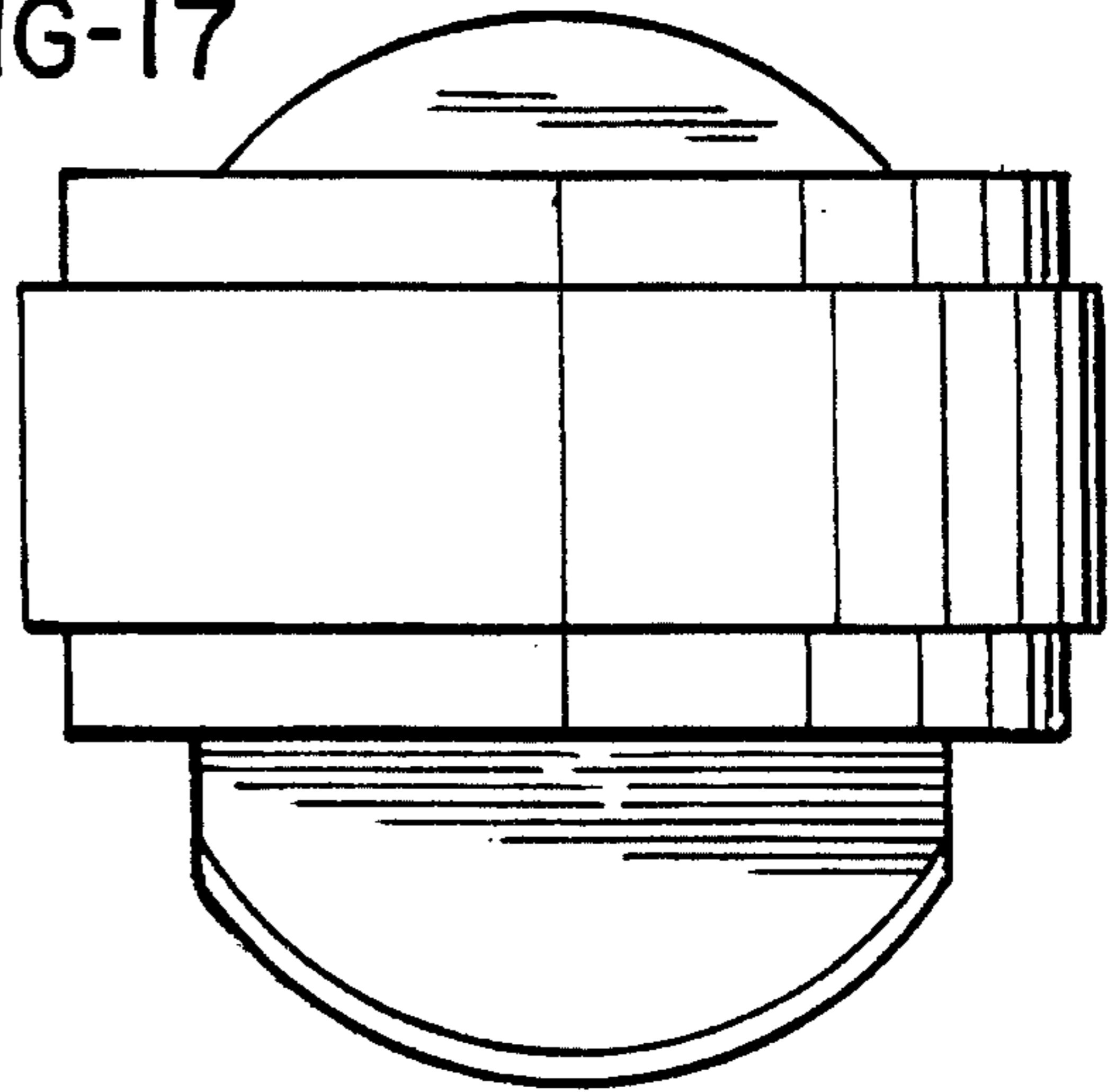


FIG-18

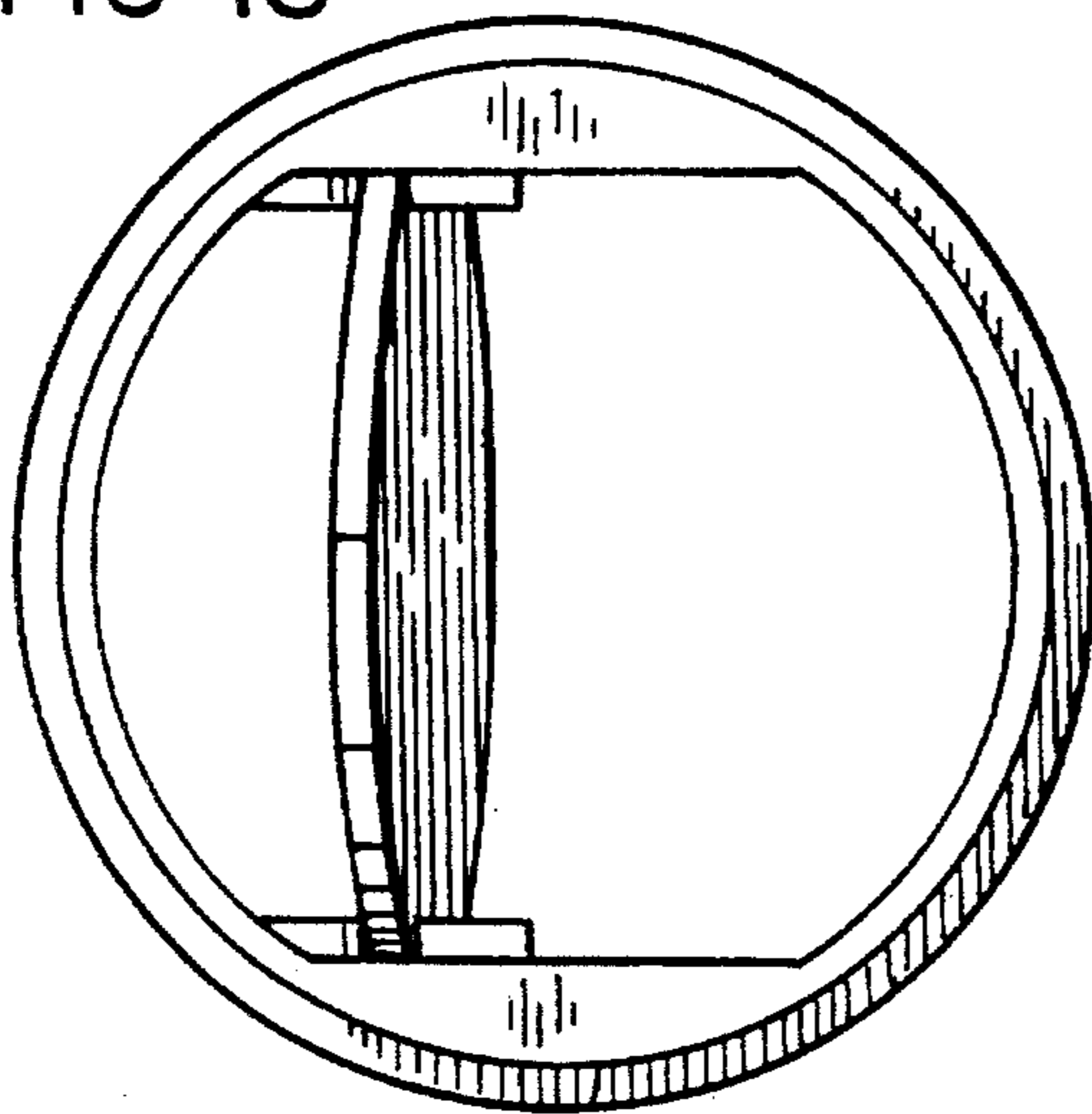


FIG-19

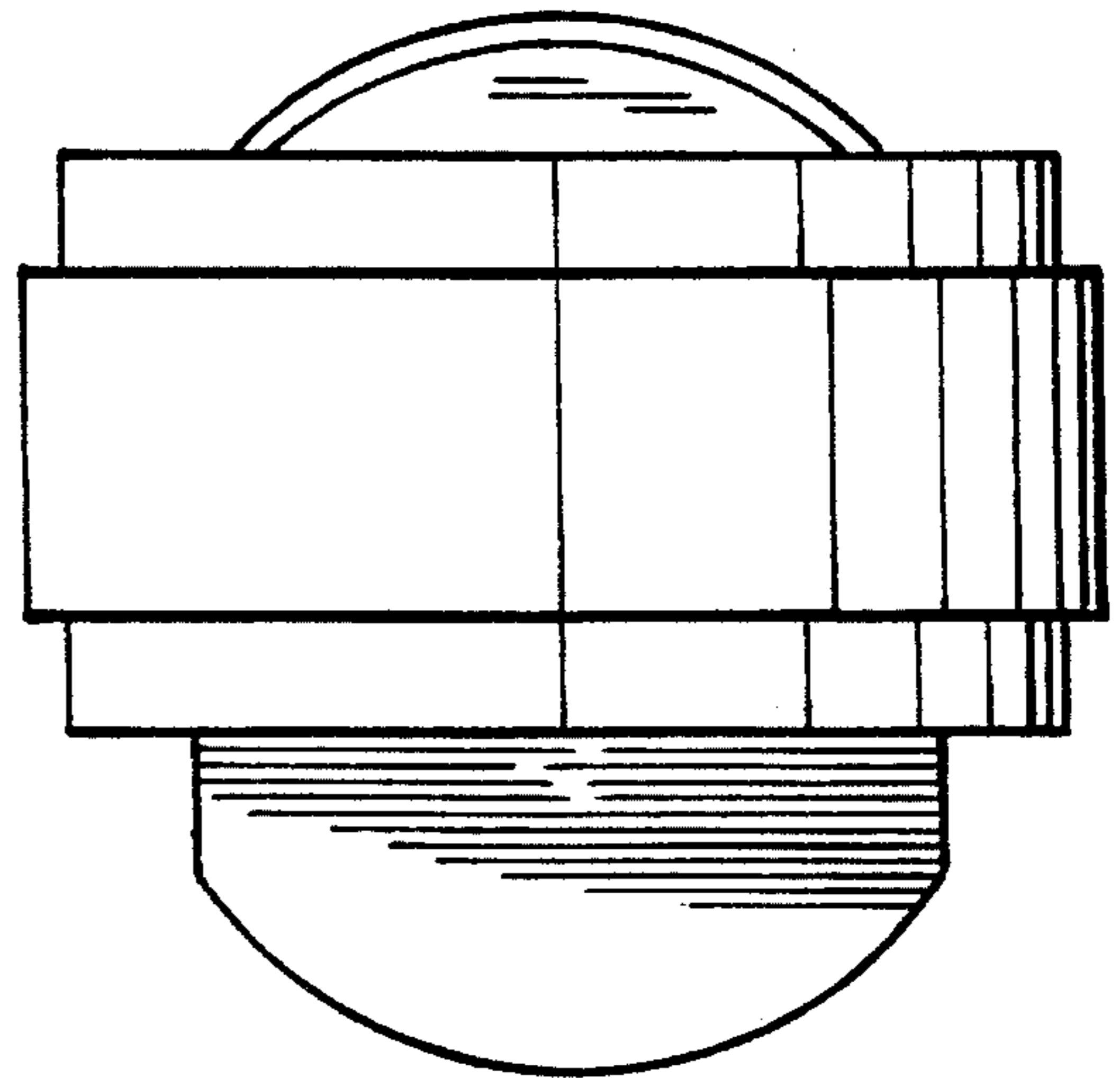


FIG-20

