



US00D368134S

United States Patent [19] Reid

[11] Patent Number: **Des. 368,134**

[45] Date of Patent: ****Mar. 19, 1996**

[54] **WATER CLOSET**

[75] Inventor: **Mary J. Reid**, Sheboygan, Wis.

[73] Assignee: **Kohler Co.**, Kohler, Wis.

[**] Term: **14 Years**

[21] Appl. No.: **38,041**

[22] Filed: **Apr. 26, 1995**

[52] U.S. Cl. **D23/301**

[58] Field of Search D23/295, 298,
D23/299, 300, 301; 4/353, 421, 424, 428,
430

[56] **References Cited**

U.S. PATENT DOCUMENTS

D. 101,535	10/1936	Korstadt	D23/301
D. 256,611	8/1980	Primsult	D23/301
D. 261,171	10/1981	Cuttriss	D23/301
D. 268,780	4/1983	Doman et al.	D23/301
D. 271,690	12/1983	Strobel	D23/301 X
D. 275,598	9/1984	Stairs, Jr.	D23/301
D. 292,431	10/1987	Kohler, Jr.	D23/301

OTHER PUBLICATIONS

Exhibit 1, p. 14-8 (revised Jun. 1994) of K-500 Kohler Co. Catalog showing the "Revival" Lite Toilet and Bidet, admitted prior art.

Exhibit 2, p. 3 of a 1993 Sterling catalog showing a one-piece, low profile pedestal toilet in the center of the page.

Primary Examiner—Stella Reid
Assistant Examiner—E. Watterson
Attorney, Agent, or Firm—Quarles & Brady

[57] **CLAIM**

The ornamental design for a water closet, as shown and described.

DESCRIPTION

FIG. 1 is a right, top, frontal perspective view of a water closet embodying my new design;

FIG. 2 is a front elevational view thereof;

FIG. 3 is a right side elevational view thereof, the left side elevational view being the mirror image of the right side shown;

FIG. 4 is a top plan view thereof;

FIG. 5 is a rear elevational view thereof; and,

FIG. 6 is a bottom plan view thereof.

The broken line representation of fitting holes in FIG. 1 is for illustration only and forms no part of the claimed design.

1 Claim, 3 Drawing Sheets

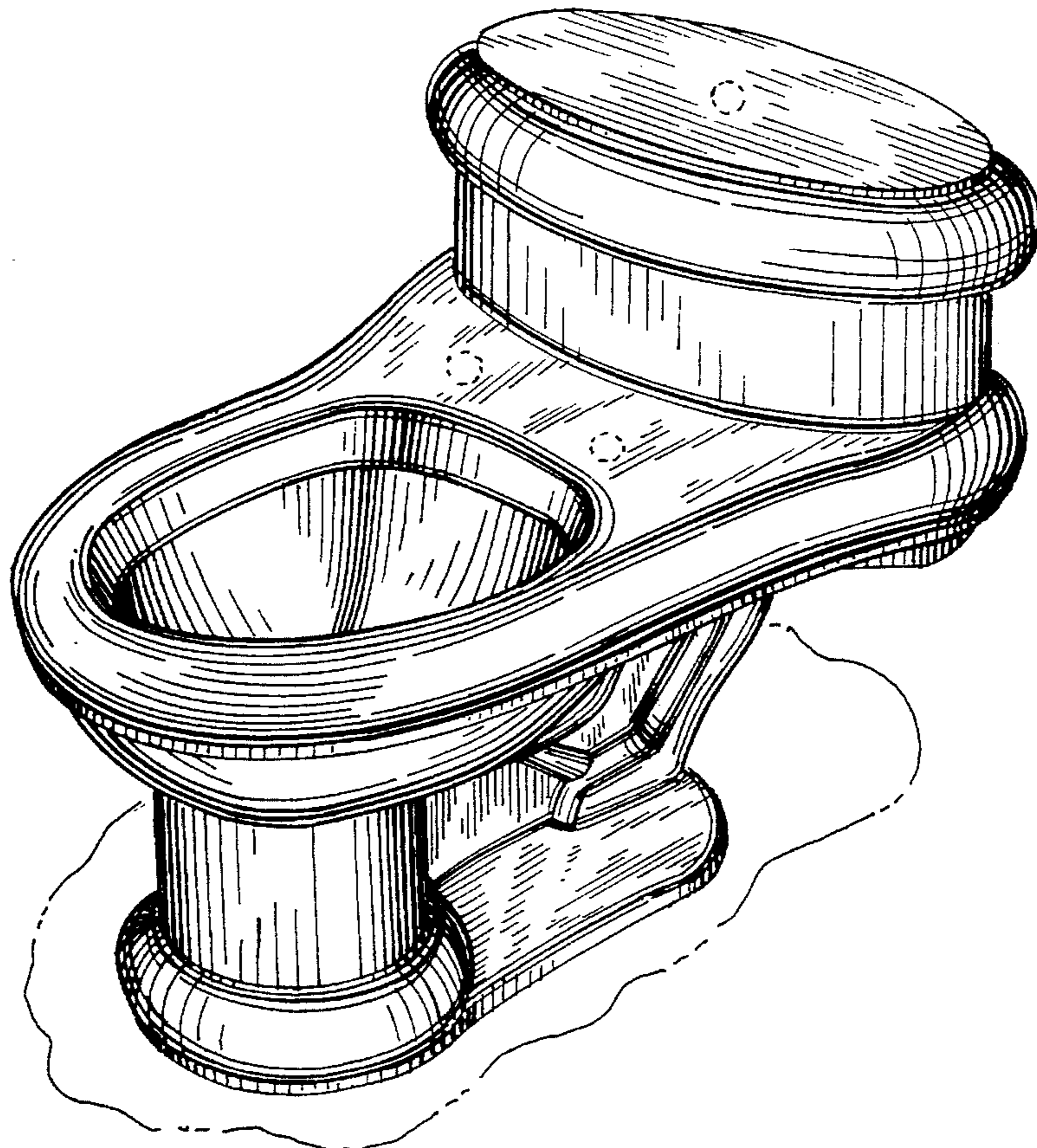


FIG. 1

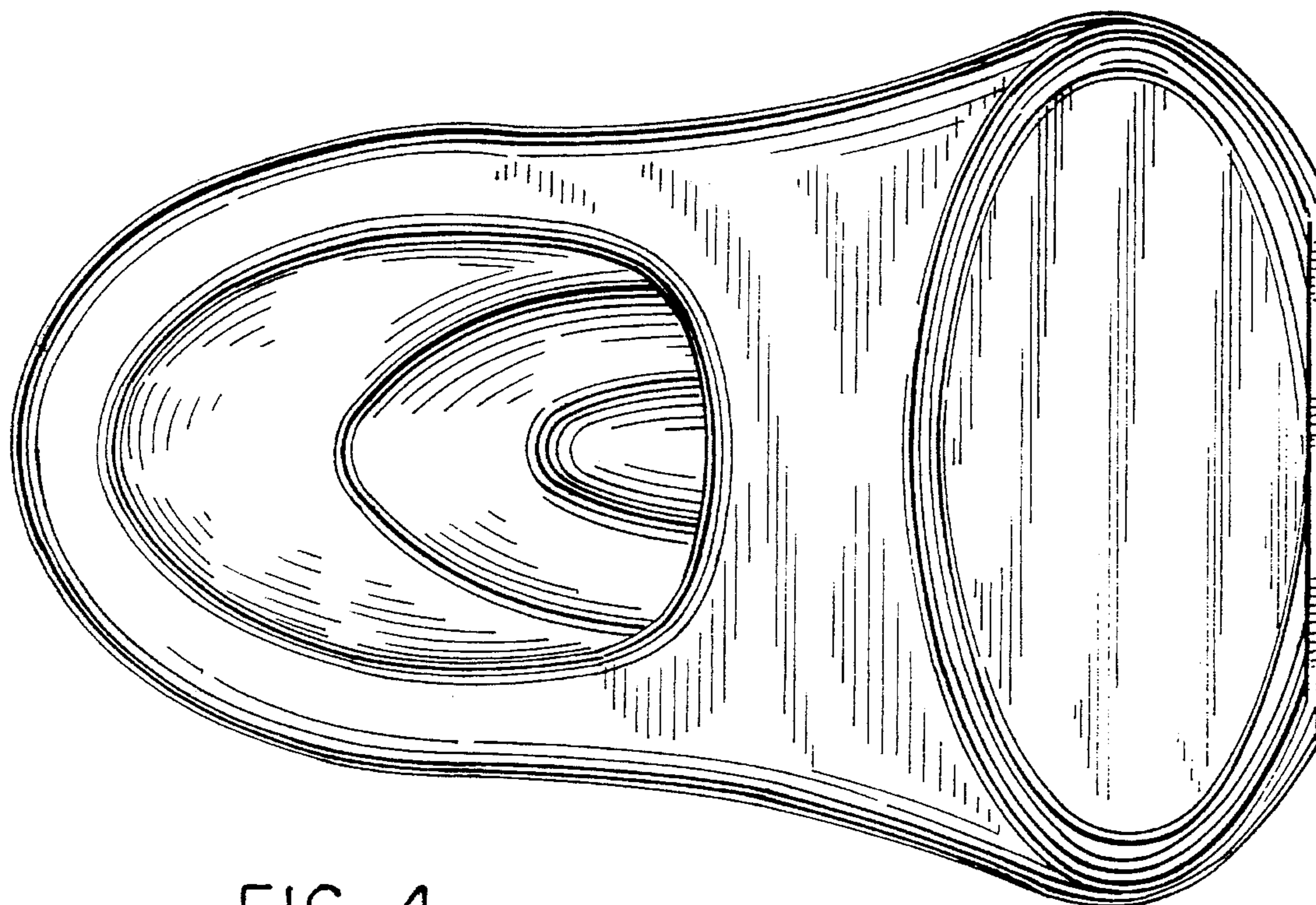
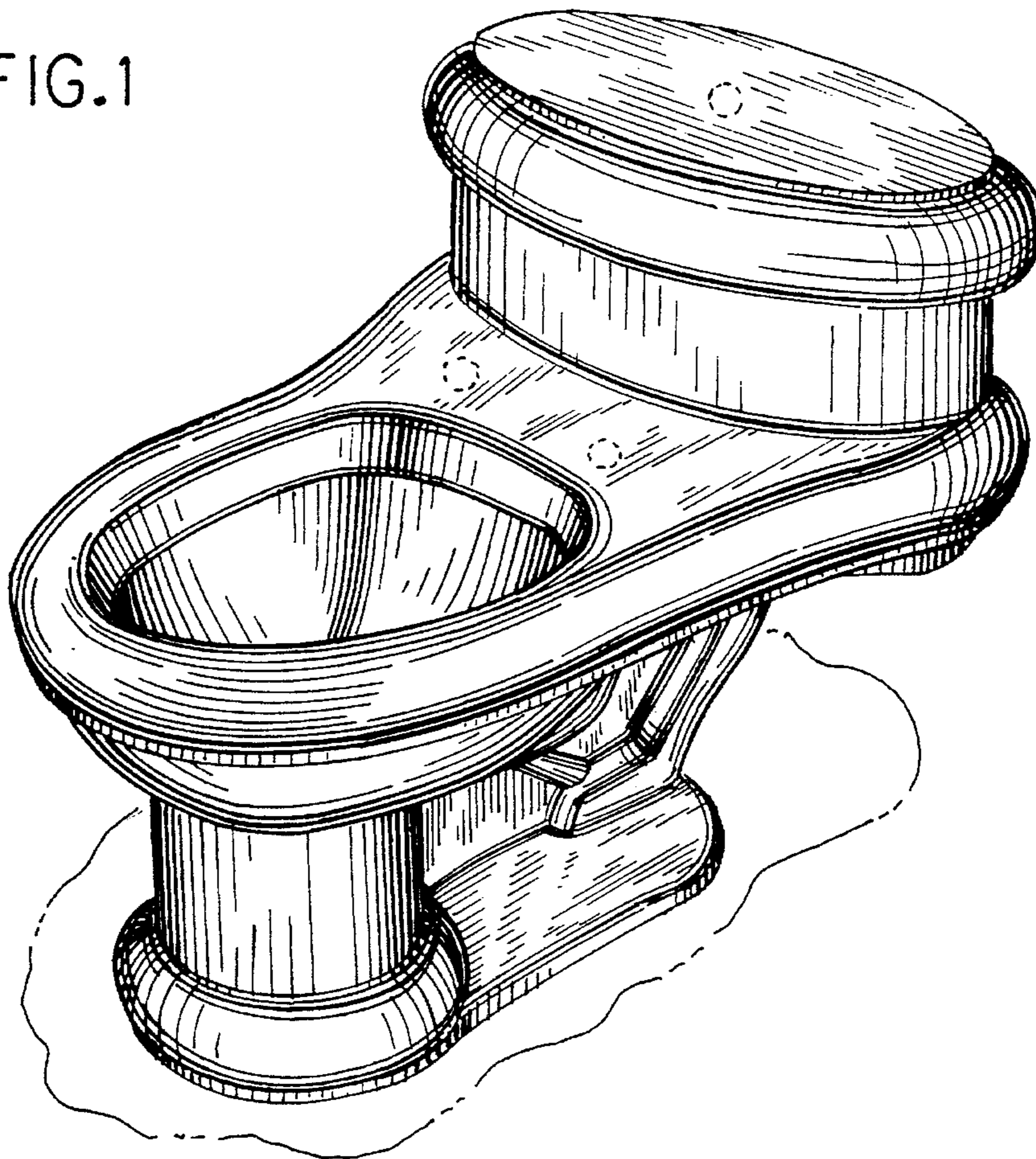


FIG. 4

FIG. 3

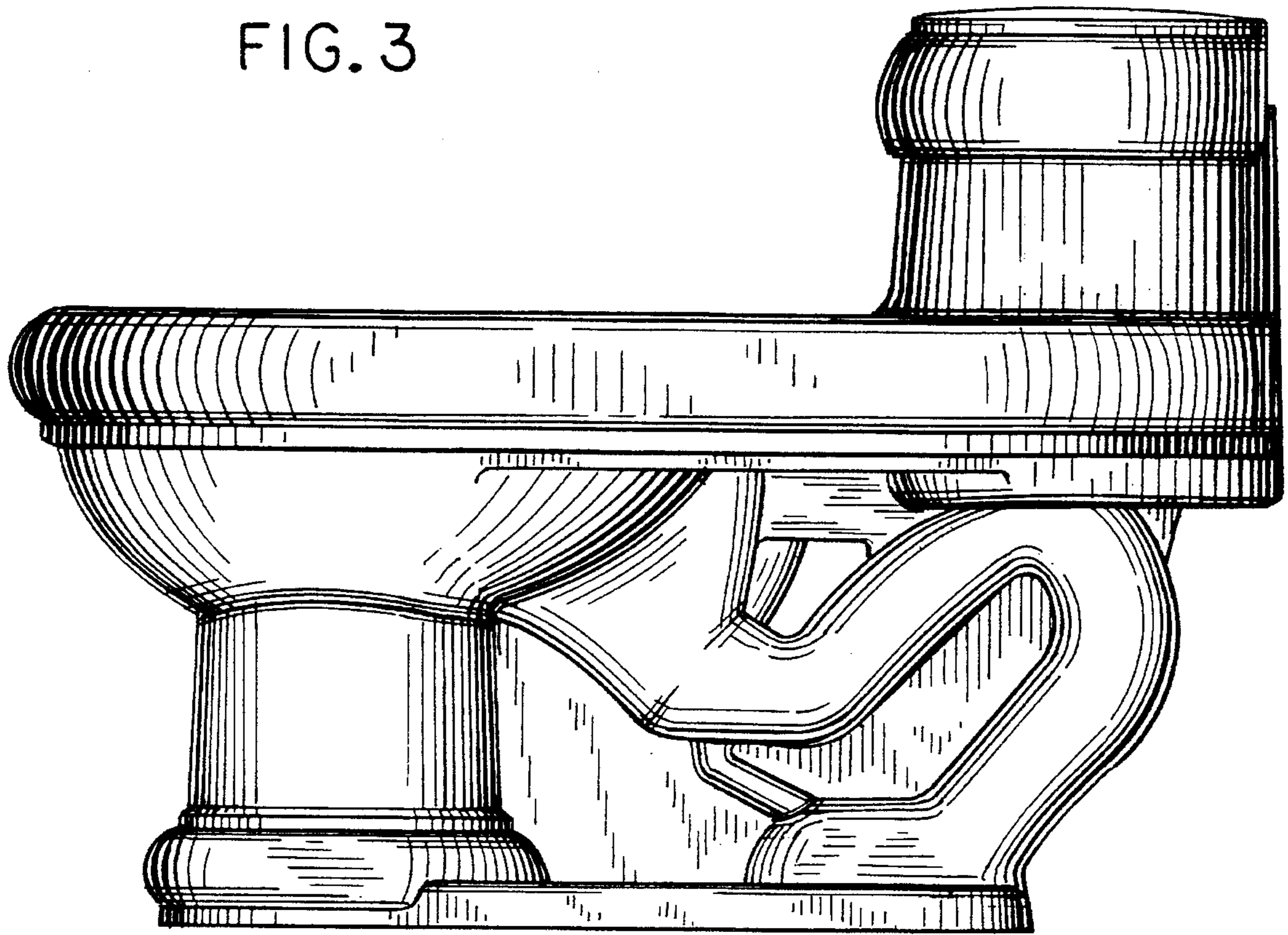
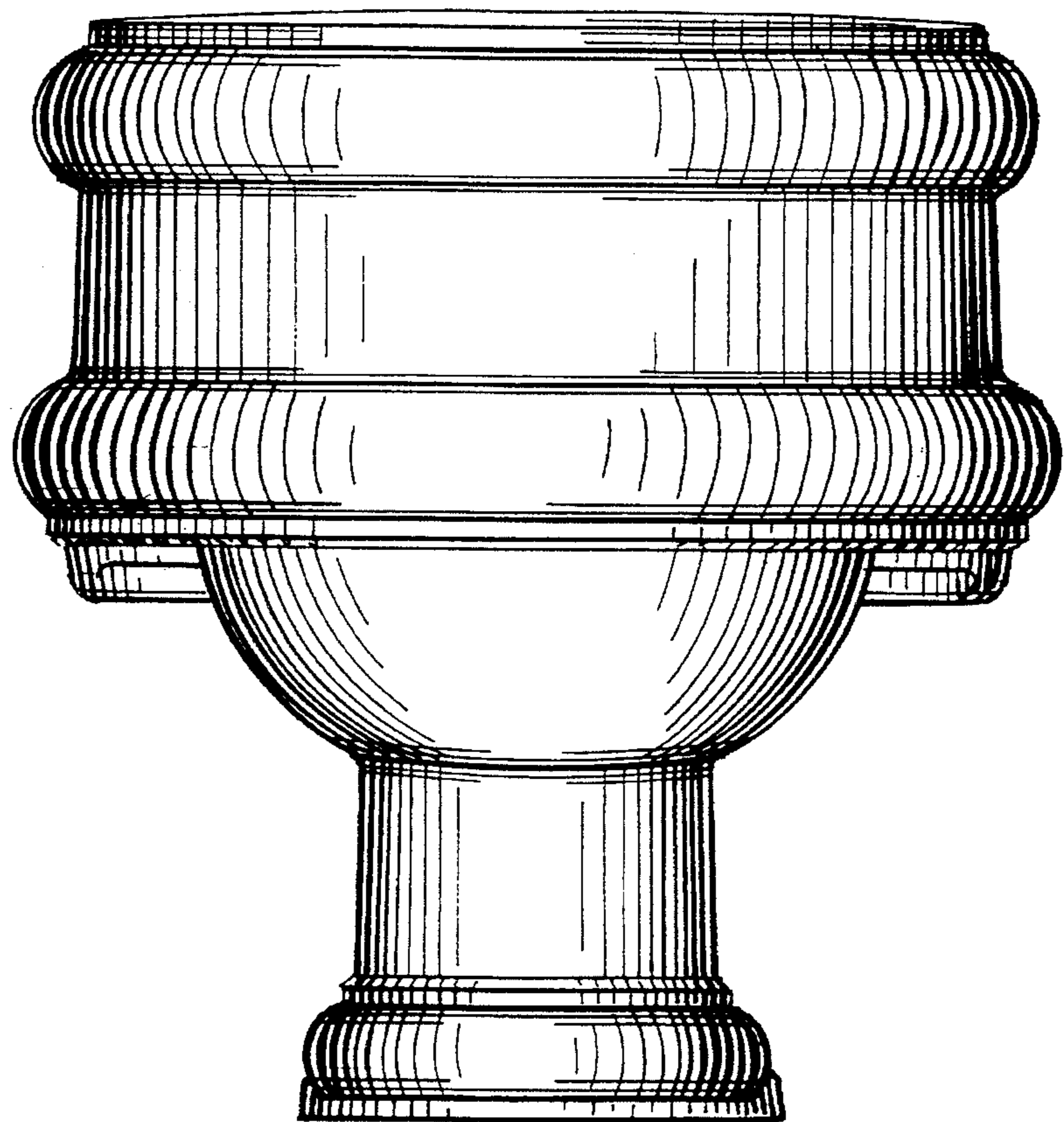


FIG. 2



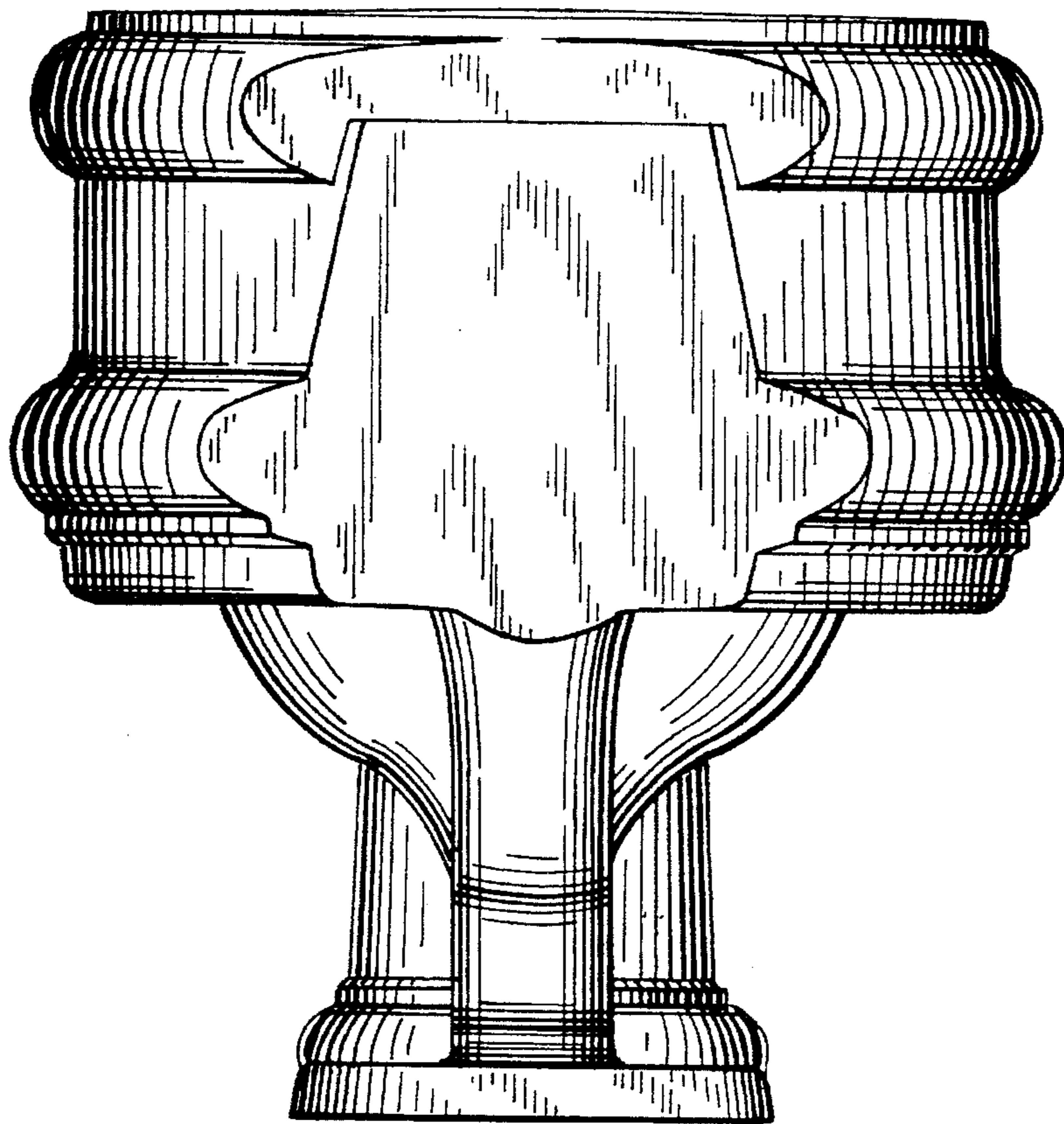


FIG. 5

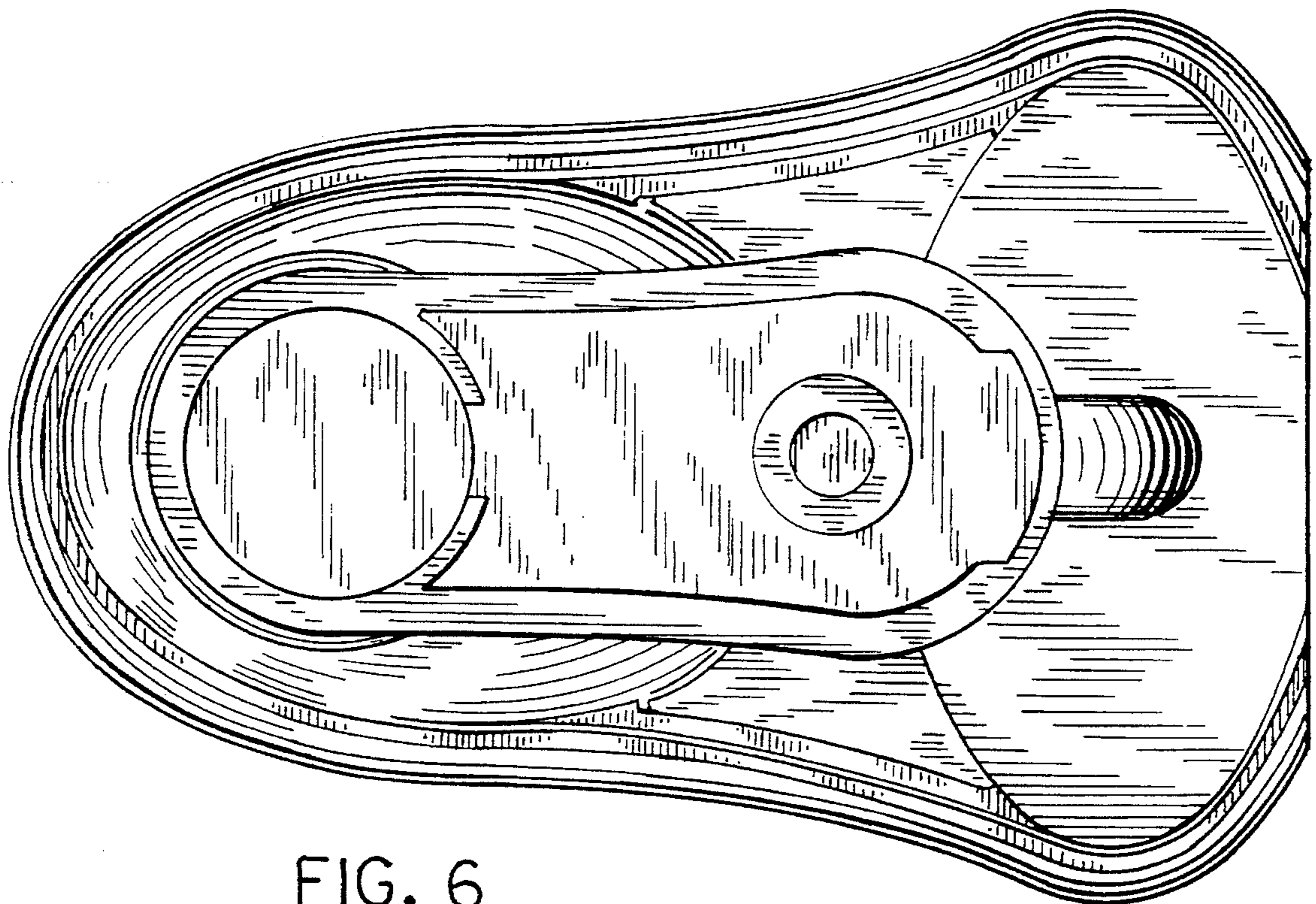


FIG. 6