



US00D368133S

United States Patent [19]

[11] Patent Number: **Des. 368,133**

Reid et al.

[45] Date of Patent: ****Mar. 19, 1996**

[54] TUB FOR BATHING

[75] Inventors: **Mary J. Reid; Todd D. Dannenberg,**
both of Sheboygan, Wis.

[73] Assignee: **Kohler Co., Kohler, Wis.**

[**] Term: **14 Years**

[21] Appl. No.: **17,726**

[22] Filed: **Jan. 21, 1994**

[52] U.S. Cl. **D23/277**

[58] Field of Search D23/275, 277,
D23/279, 280.1, 280.2, 280.4, 283; 4/538,
555, 584, 589, 592, 593, 596, 597, 570,
600, 604, 605, 602, 607, 610, 612, 613,
614; 52/34

[56] **References Cited**

U.S. PATENT DOCUMENTS

D. 156,555	12/1949	Perlman	D23/277
D. 233,756	11/1974	Schrock	D23/277
D. 238,276	12/1975	Alexander	D23/275
2,677,268	5/1954	Hobbs	52/35

OTHER PUBLICATIONS

- Undated Jacuzzi ad for a Ciprea whirlpool bath, admitted prior art.
- Undated Eljer ad for a Riviera tub (012-1565), admitted prior art.
- Undated Eljer ad for a Lake Forest tub (013-0525), admitted prior art.
- Kohler ad dated Jun. 1993 showing Model K-700 Vintage bathtubs, admitted prior art.
- Kohler ad dated May 1992 showing pipe-covering a shroud/pedestal on Models K-2169 and K-2119 sinks.

Primary Examiner—Louis S. Zarfes
Assistant Examiner—Eric Watterson
Attorney, Agent, or Firm—Quarles & Brady

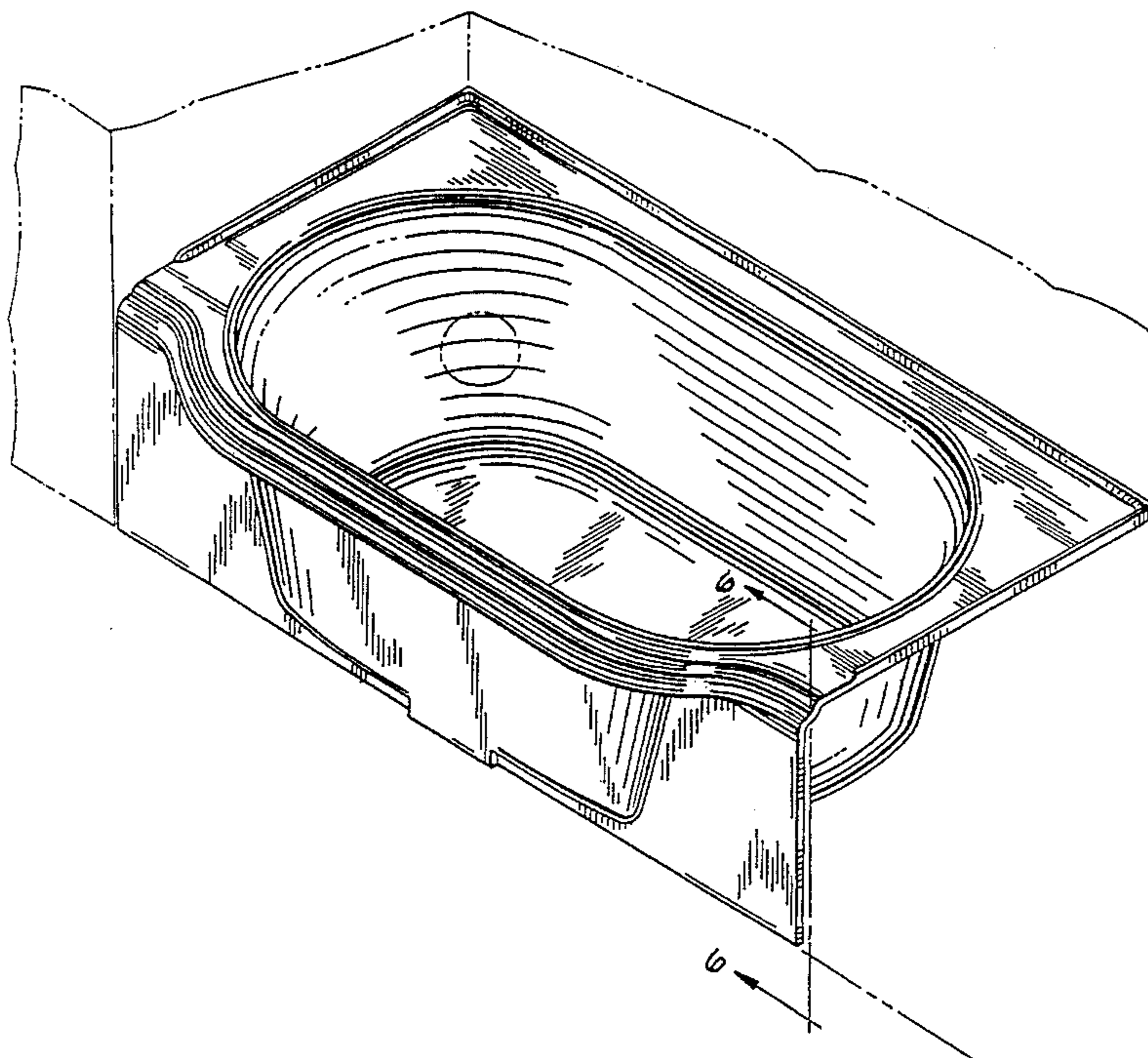
[57] **CLAIM**

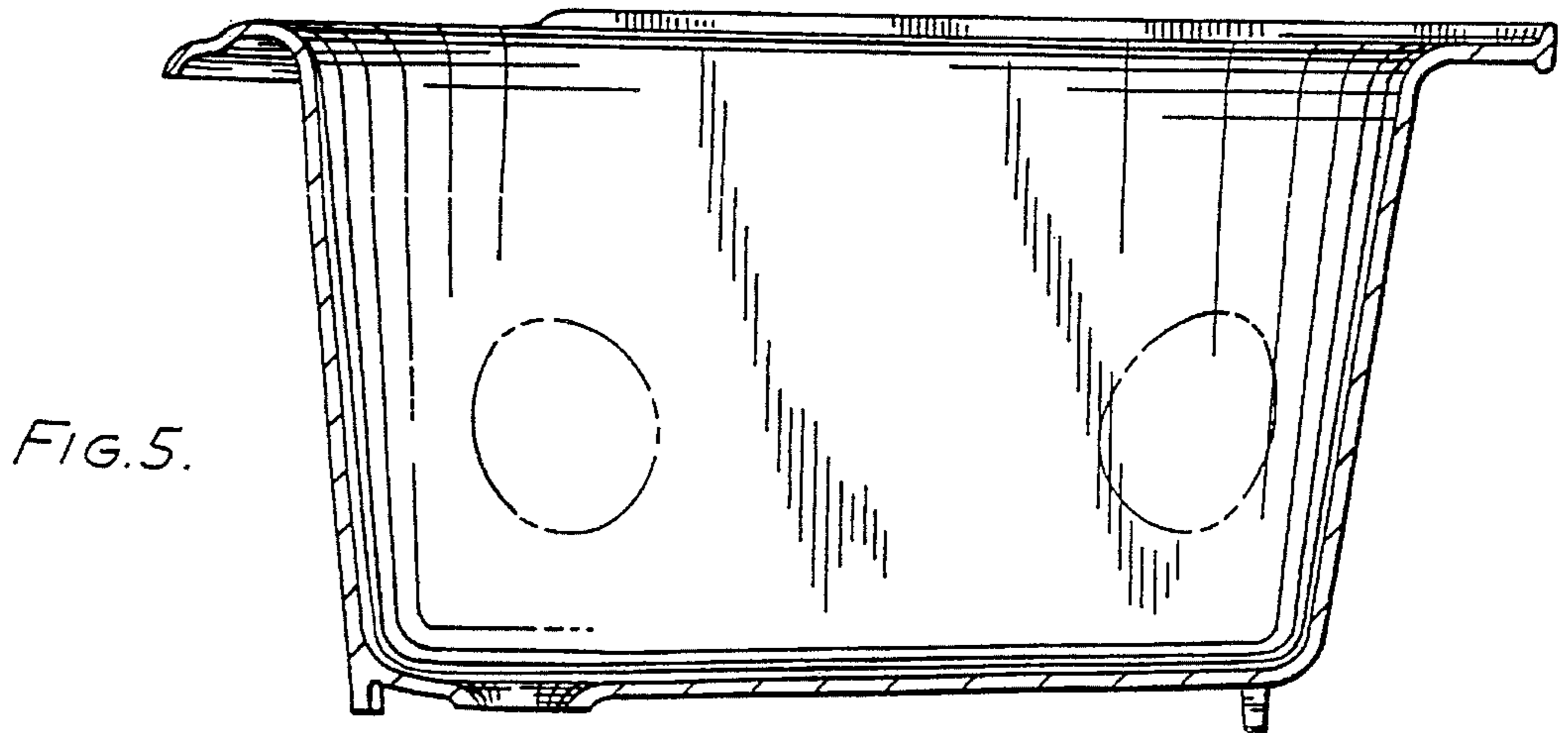
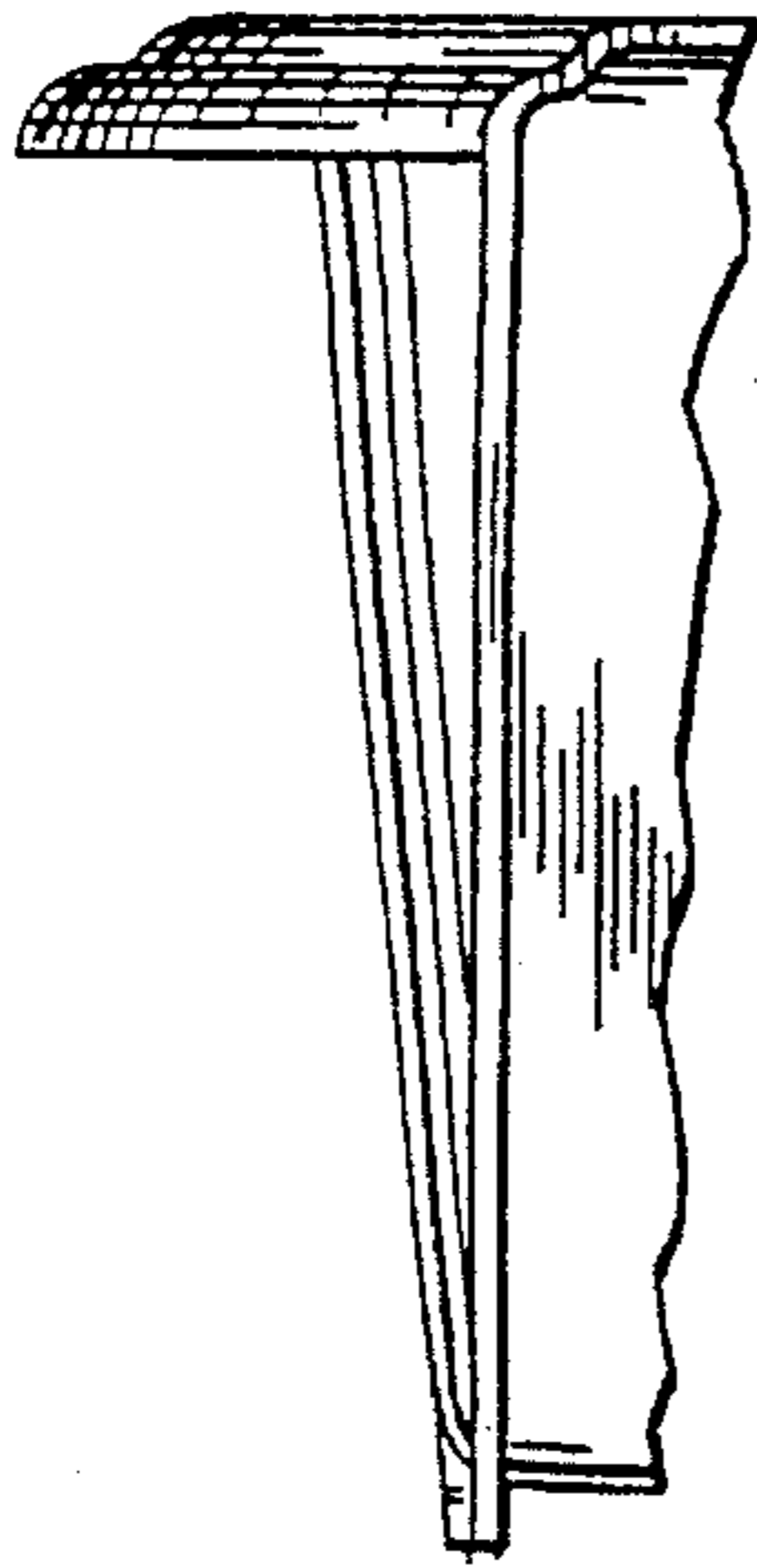
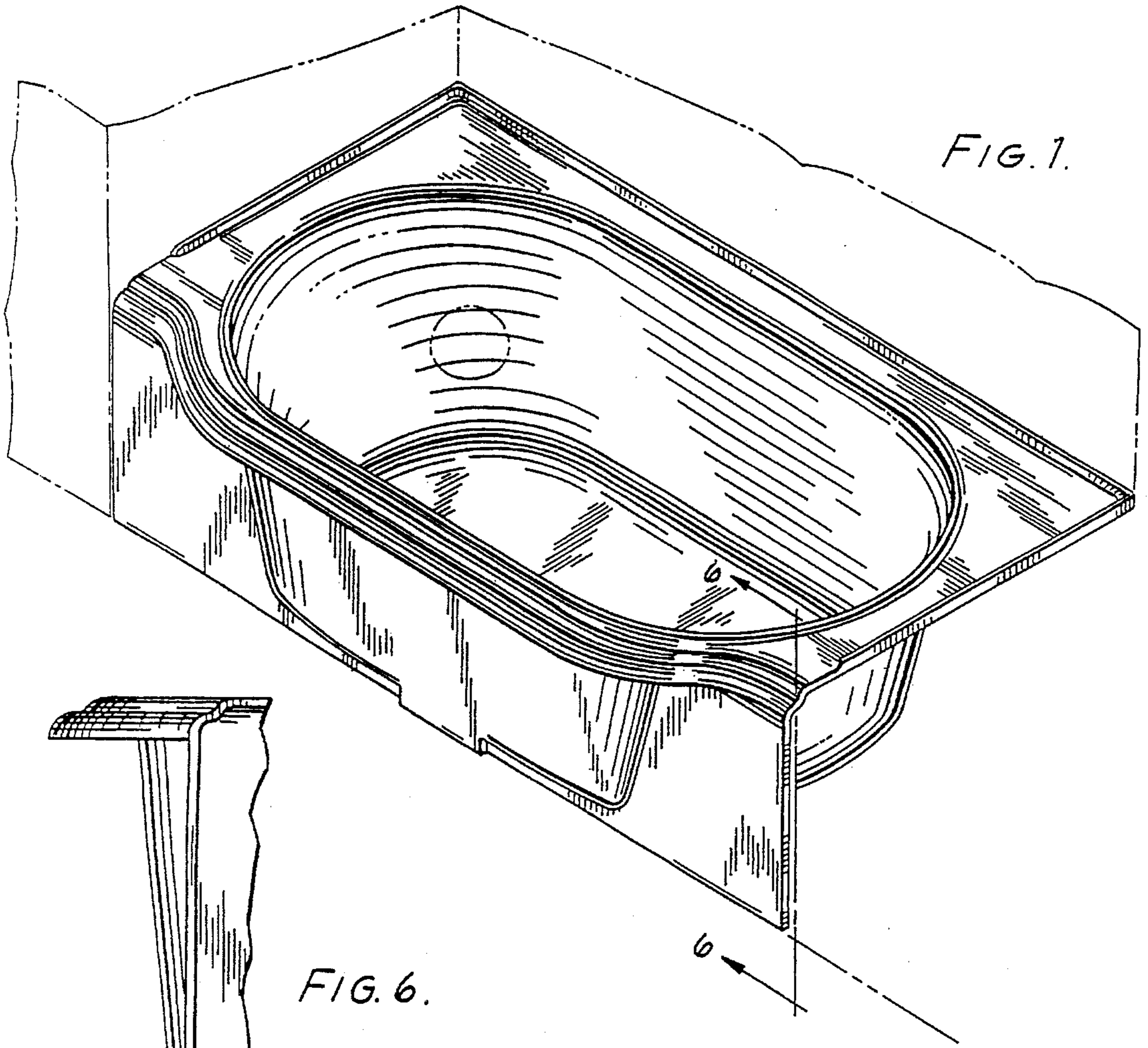
The ornamental design for a tub for bathing, as shown and described.

DESCRIPTION

FIG. 1 is a perspective view taken from the top, front and right side of a tube for bathing embodying our new design; FIG. 2 is a top plan view thereof; FIG. 3 is a front elevational view thereof; FIG. 4 is a cross-sectional view taken on line 4—4 of FIG. 2; FIG. 5 is a cross-sectional view taken on line 5—5 of FIG. 2; FIG. 6 is a partial cross-sectional view taken on line 6—6 of FIG. 1; FIG. 7 is a top, right side perspective view of a second embodiment showing my new design, the top and cross-sectional views being the same as that shown in FIGS. 2 and 4; FIG. 8 is a front elevational view of the embodiment of FIG. 7; FIG. 9 is a cross-sectional view taken on line 9—9 of FIG. 8; FIG. 10 is a partial cross-sectional view taken on line 10—10 of FIG. 7; FIG. 11 is a front elevational view of a third embodiment, the only difference being in the front overflow pipe, the top and cross-sectional views being the same as that shown in FIGS. 2 and 4; and, FIG. 12 is a side partial view of the overflow pipe of the third embodiment.

1 Claim, 6 Drawing Sheets





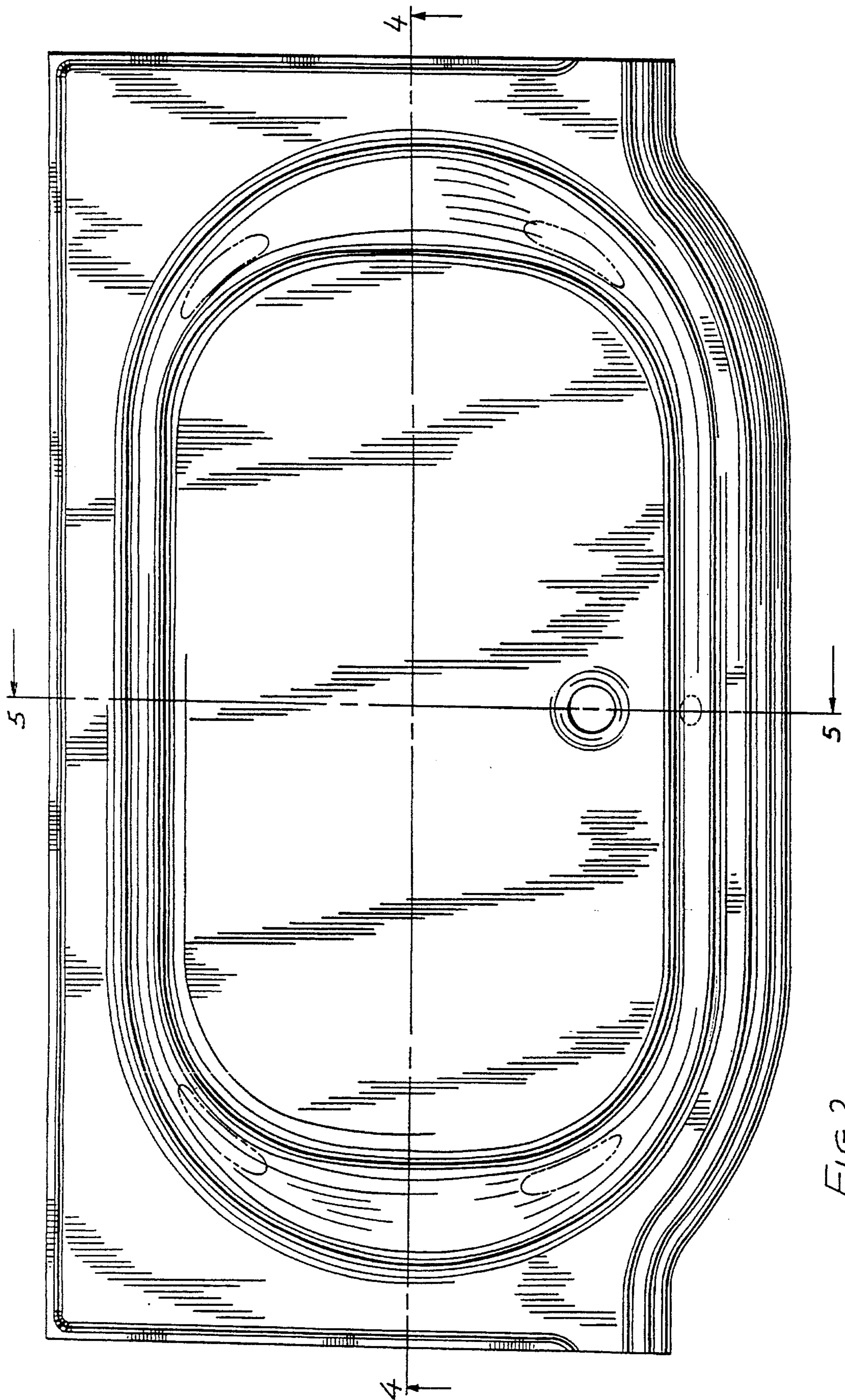


FIG. 2.

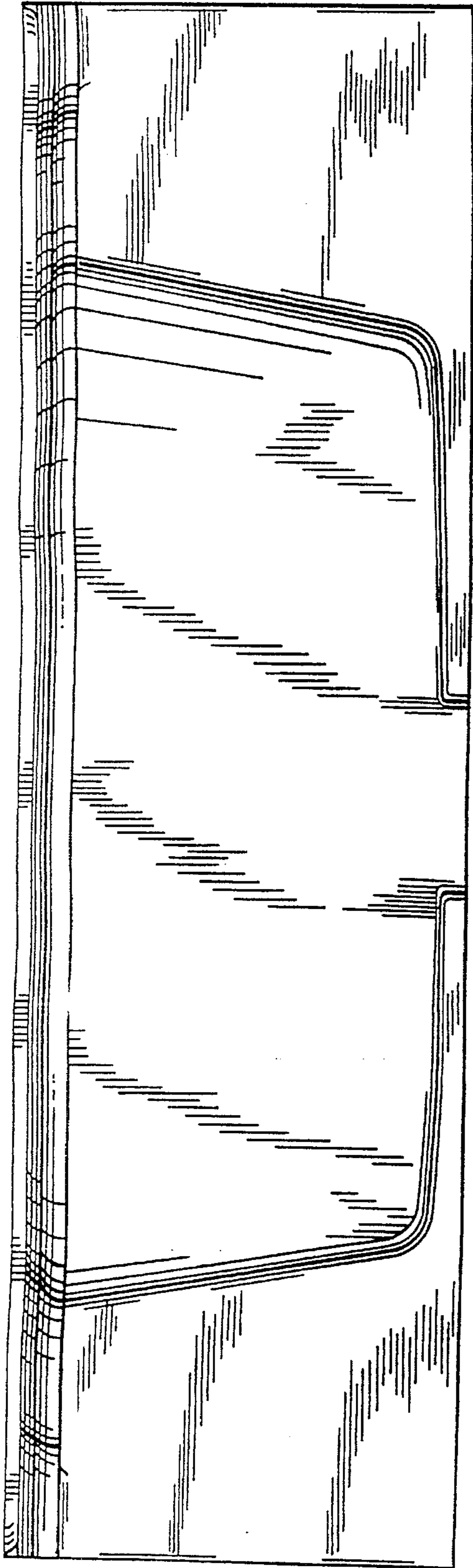


FIG. 3.

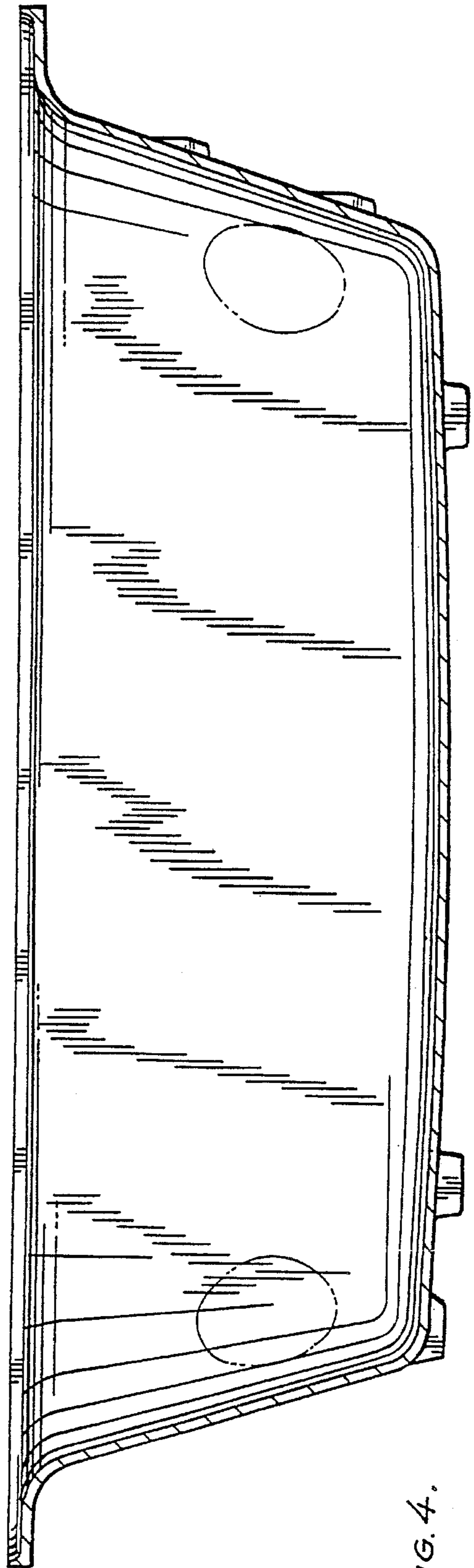


FIG. 4.

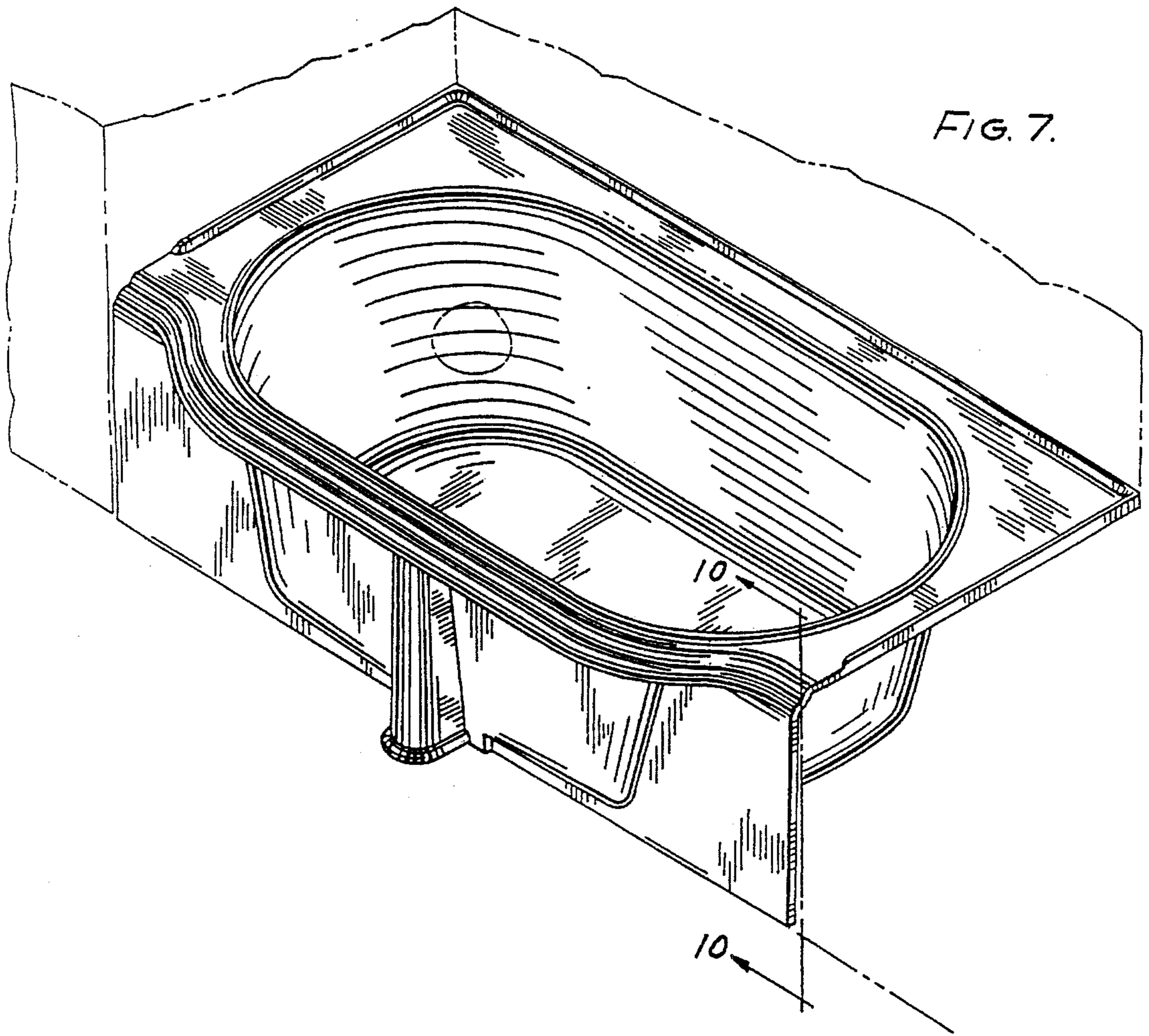
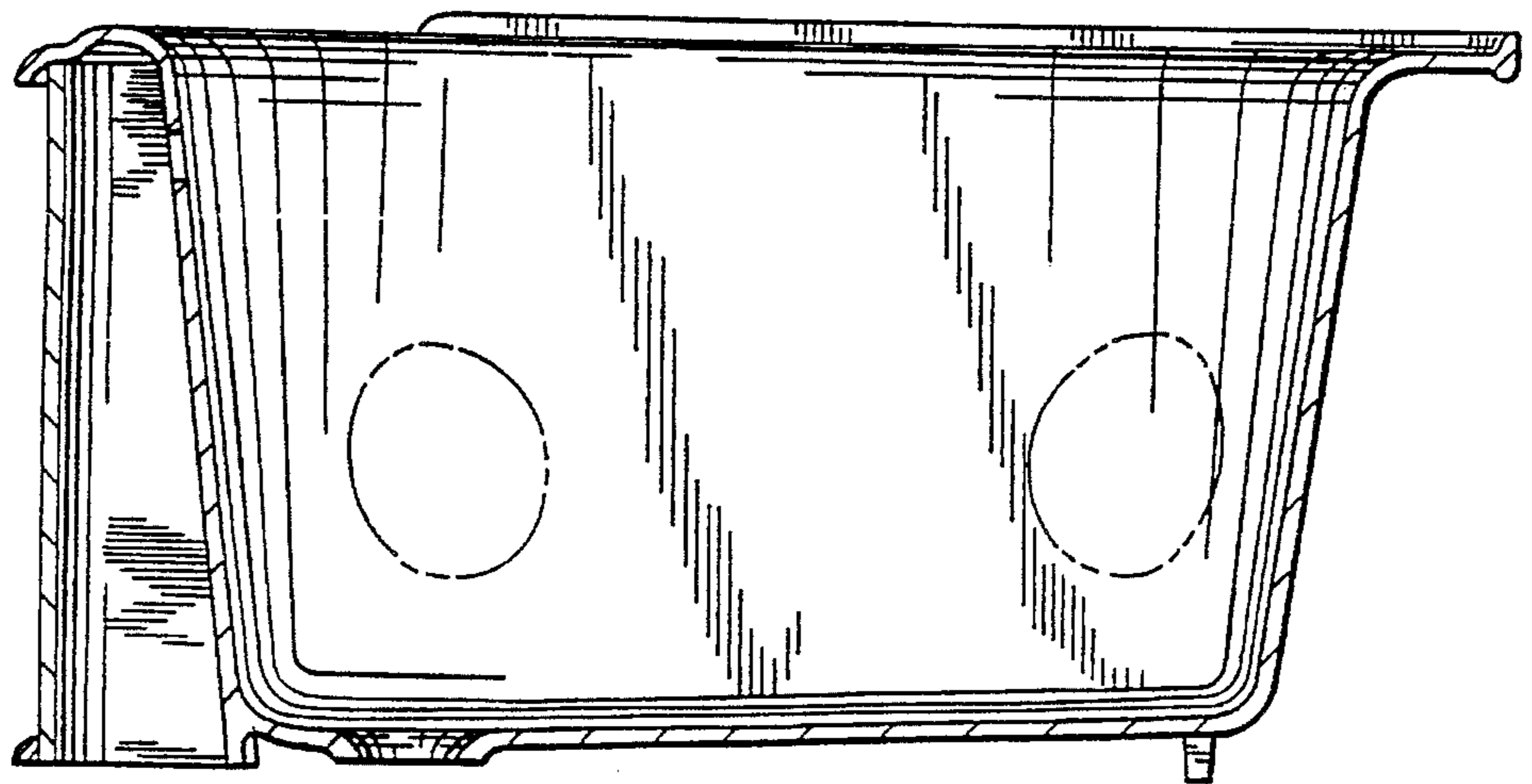


FIG. 9.



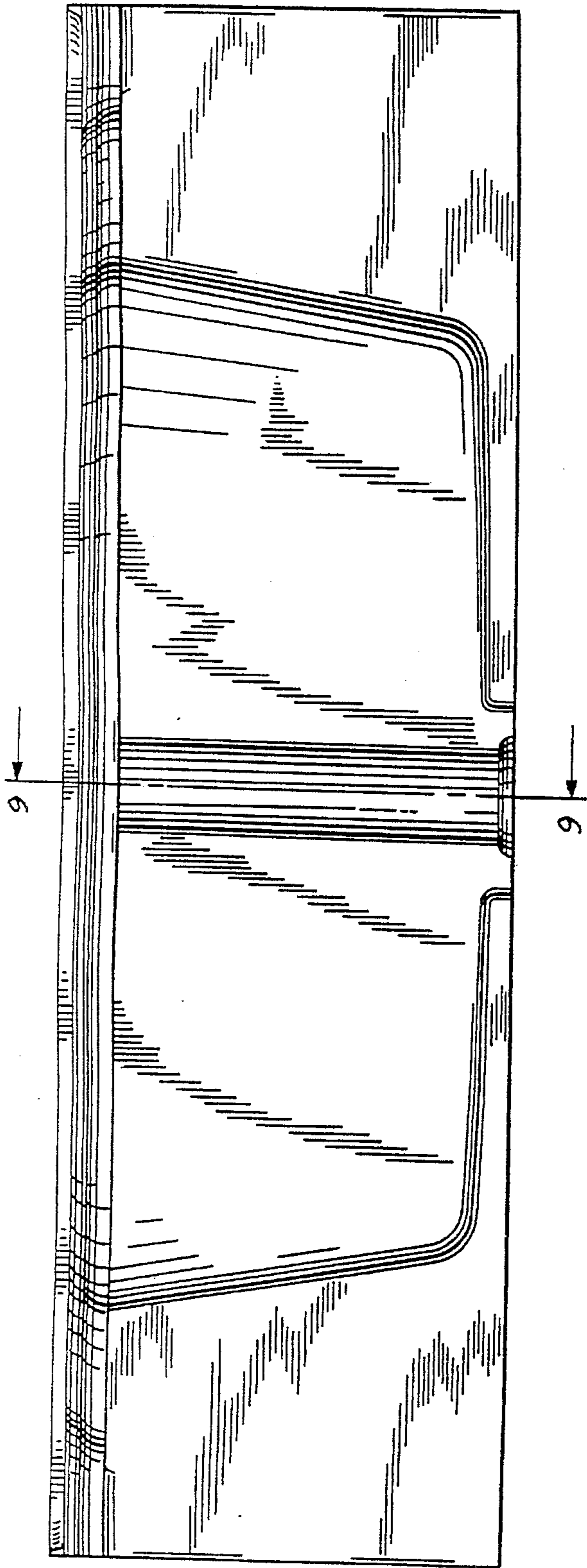


FIG. 8.

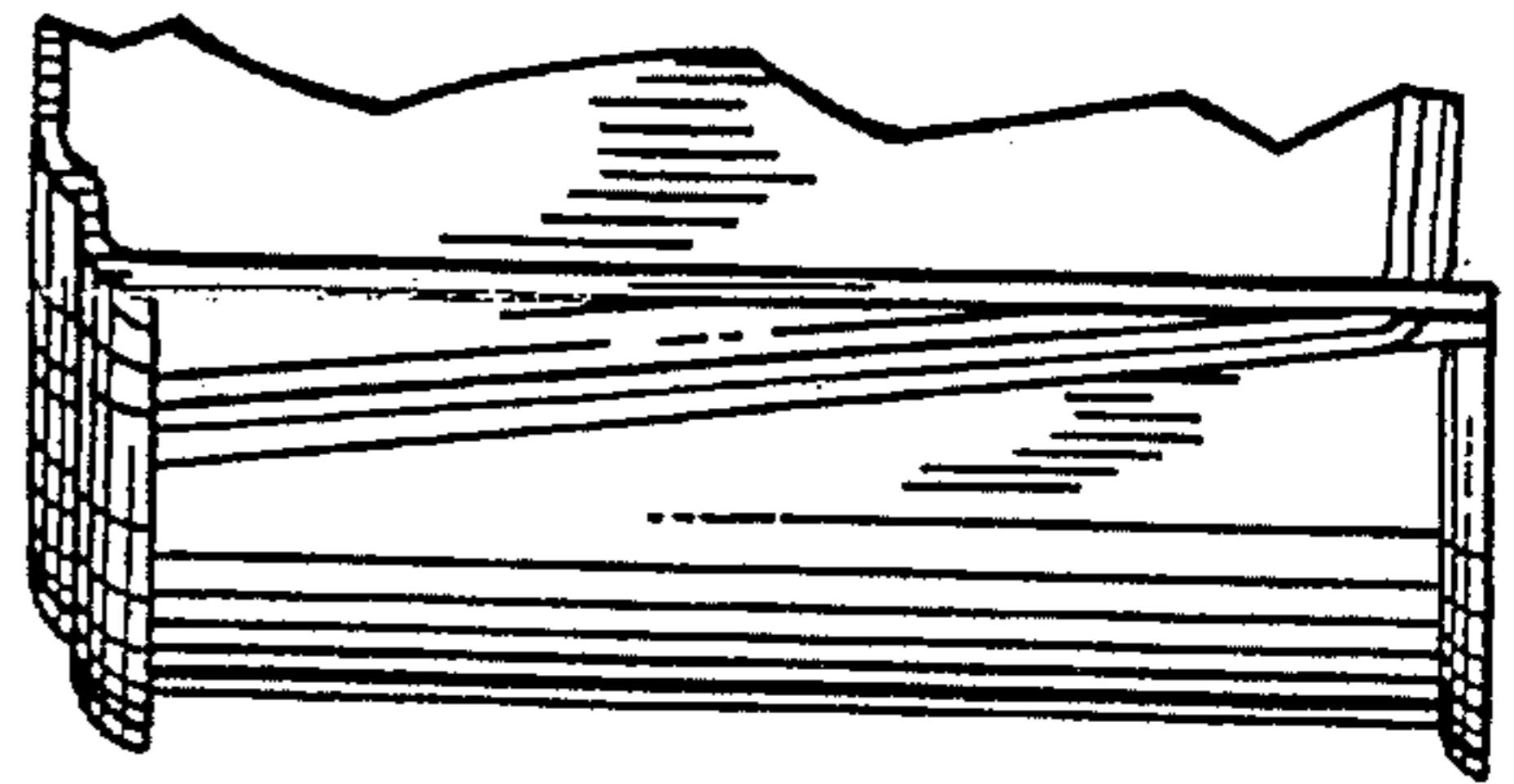


FIG. 10.

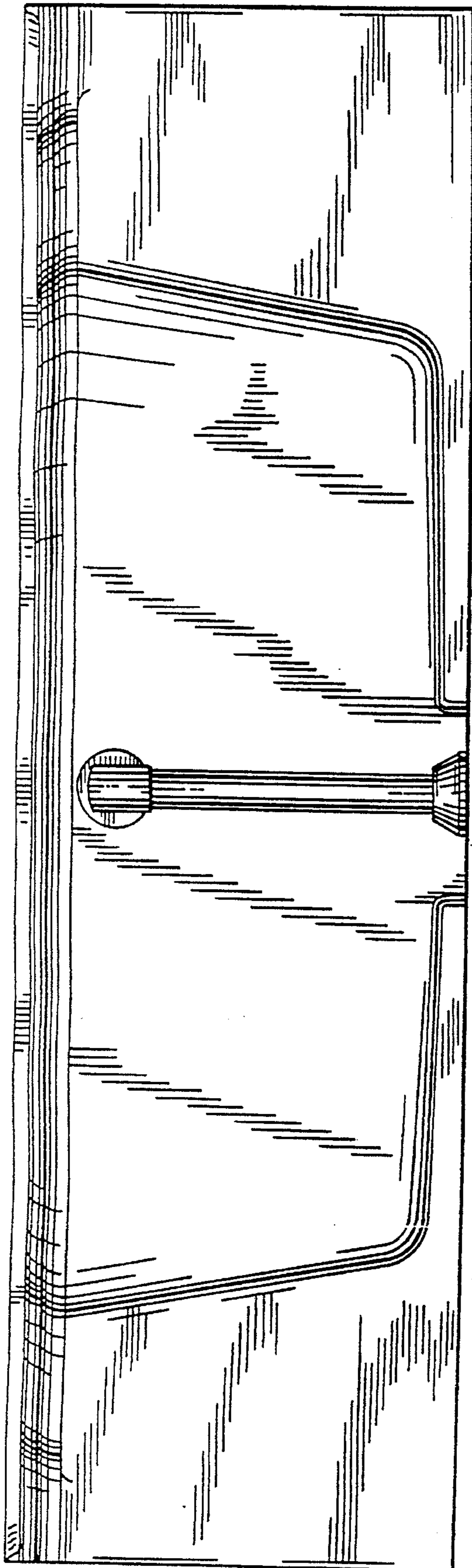


FIG. 11.

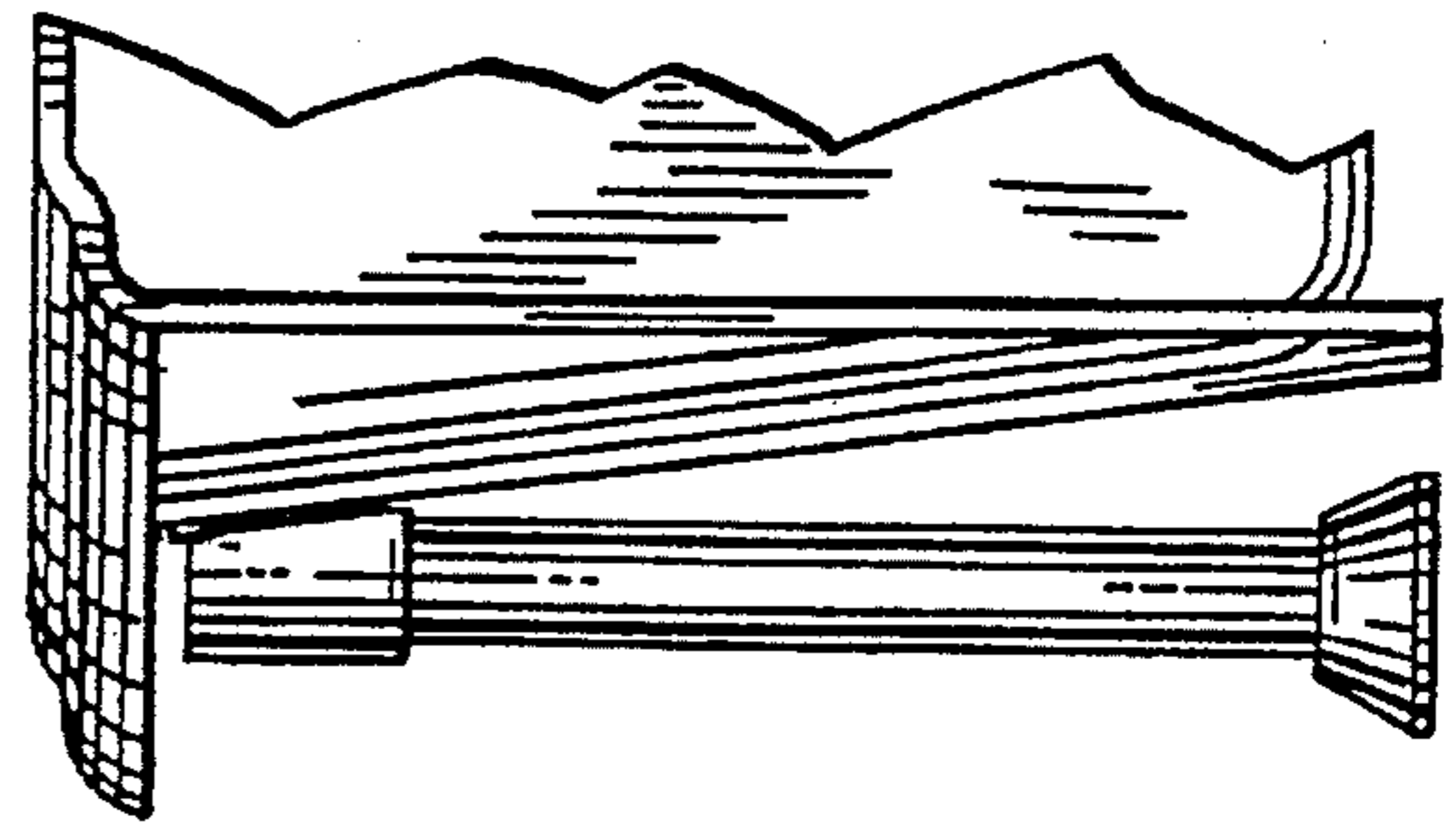


FIG. 12.

UNITED STATES PATENT AND TRADEMARK OFFICE
CERTIFICATE OF CORRECTION

PATENT NO. : DES. 368,133
DATED : March 19, 1996
INVENTOR(S) : Mary J. Reid and Todd D. Dannenberg

It is certified that error appears in the above-identified patent and that said Letters Patent is hereby corrected as shown below:

Title page, col. 2, line 2,
In the description of Fig. 1 in field
57, "tube" should be --tub--.

Signed and Sealed this
Fourth Day of June, 1996



Attest:

BRUCE LEHMAN

Attesting Officer

Commissioner of Patents and Trademarks