



US00D368130S

United States Patent [19] Itafuji

[11] **Patent Number: Des. 368,130**
[45] **Date of Patent: **Mar. 19, 1996**

[54] **AIR OPERATED VALVE**
[75] Inventor: **Hiroshi Itafuji**, Kasugai, Japan
[73] Assignee: **CKD Kabushiki Kaisha**, Komaki, Japan
[**] Term: **14 Years**
[21] Appl. No.: **35,852**
[22] Filed: **Mar. 8, 1995**
[30] **Foreign Application Priority Data**
Nov. 11, 1994 [JP] Japan 6-35561
[52] **U.S. Cl.** **D23/233**
[58] **Field of Search** D23/233-237,
D23/244-249; 137/625.25, 353, 614.19;
251/238, 337, 338

D. 236,266 8/1975 Holben D23/235
D. 317,494 6/1991 Miyake et al. D23/235
D. 318,713 7/1991 Miyake et al. D23/235
1,996,291 4/1935 Haas 137/614.19 X
2,241,747 5/1941 Shaw 251/338 X

Primary Examiner—Stella Reid
Assistant Examiner—Eric Watterson
Attorney, Agent, or Firm—Kuhn and Muller

[57] CLAIM

The ornamental design for the air operated valve, as shown and described.

DESCRIPTION

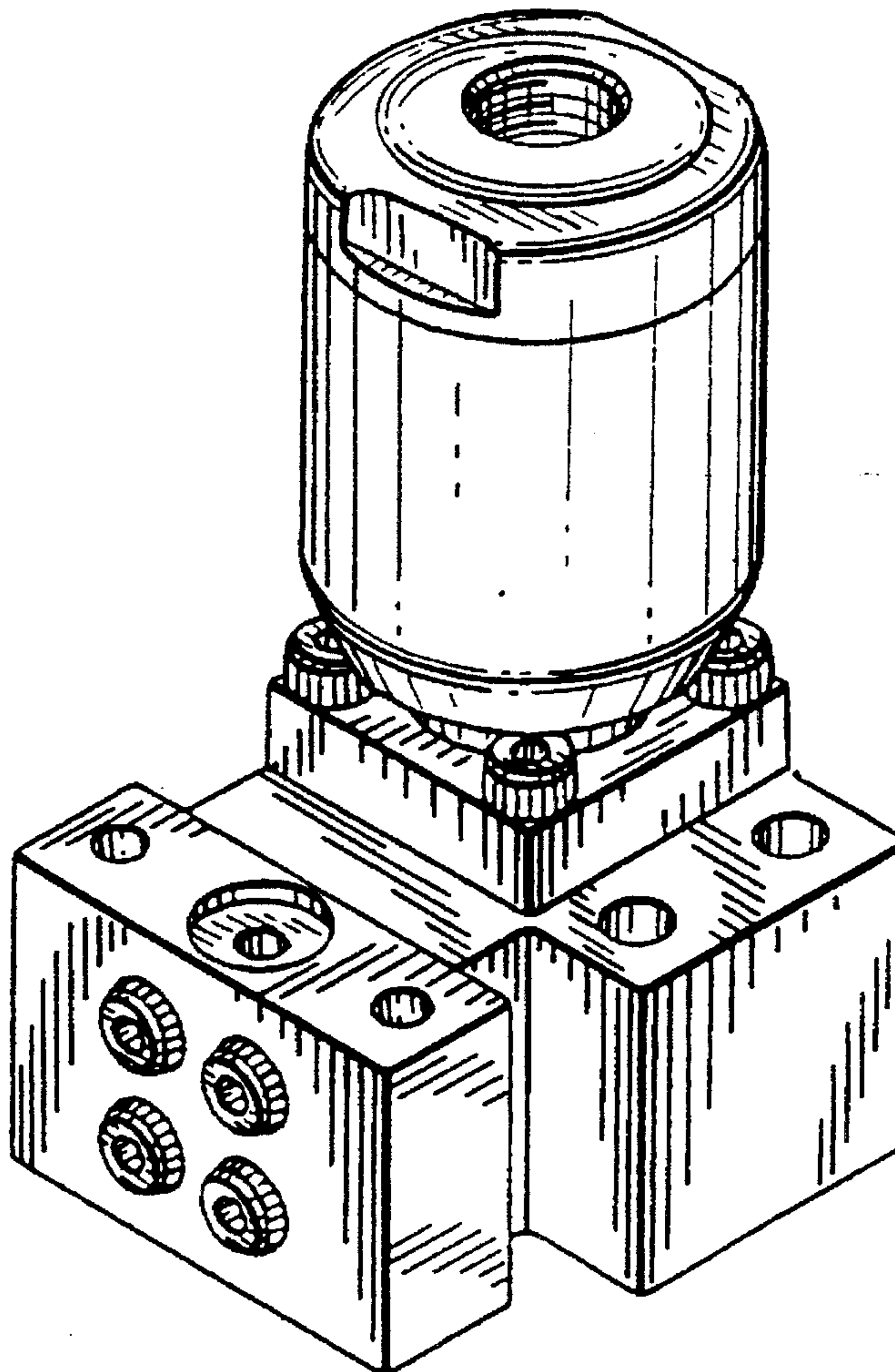
FIG. 1 is a perspective view of the air operated valve;
FIG. 2 is a top plan view thereof;
FIG. 3 is a front view thereof;
FIG. 4 is a left side elevational view thereof;
FIG. 5 is a right side elevational view thereof;
FIG. 6 is a rear view thereof; and,
FIG. 7 is a bottom view thereof.

[56] References Cited

U.S. PATENT DOCUMENTS

D. 223,095 3/1972 Allen D23/233
D. 234,359 2/1975 Holben D23/235

1 Claim, 2 Drawing Sheets



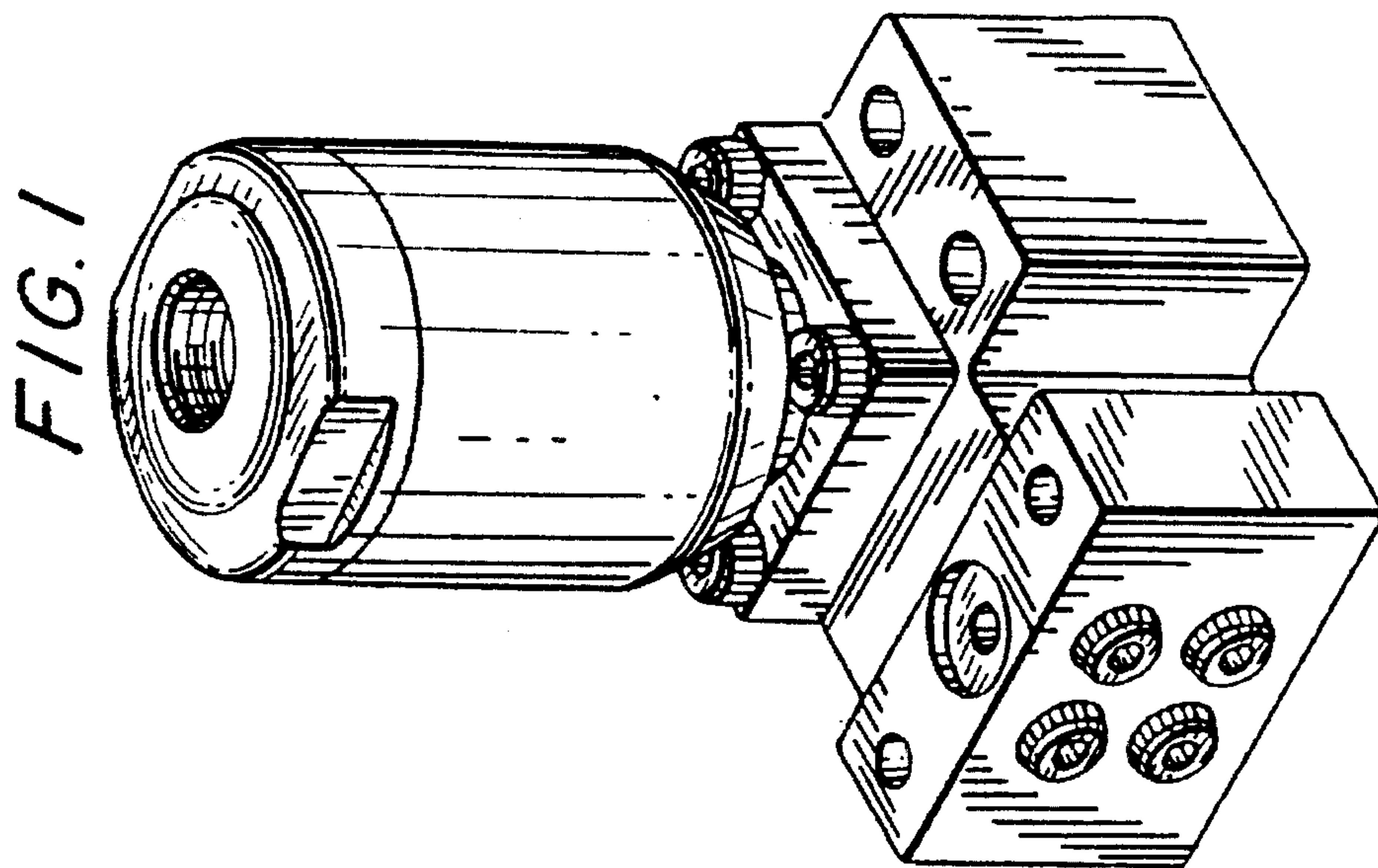
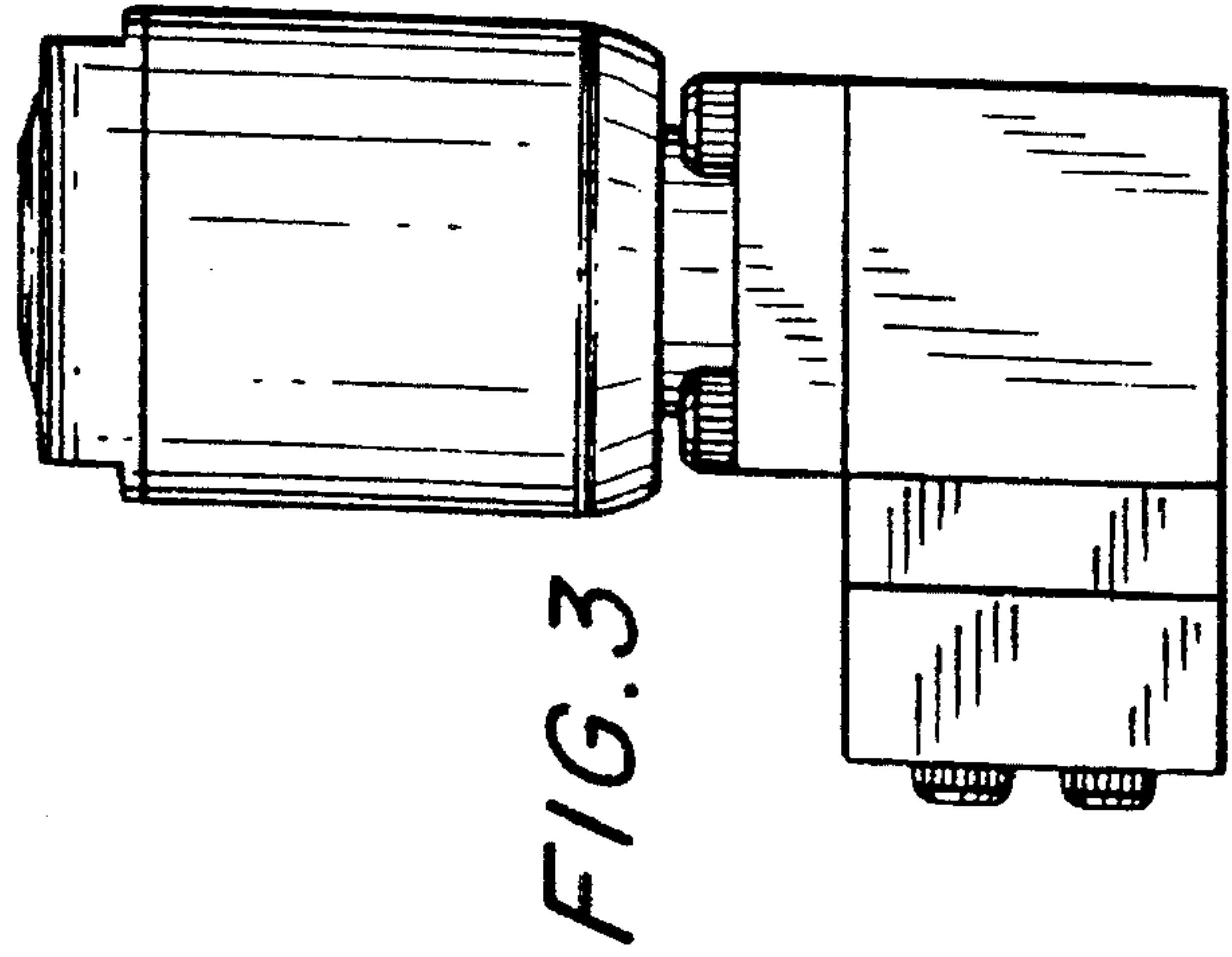
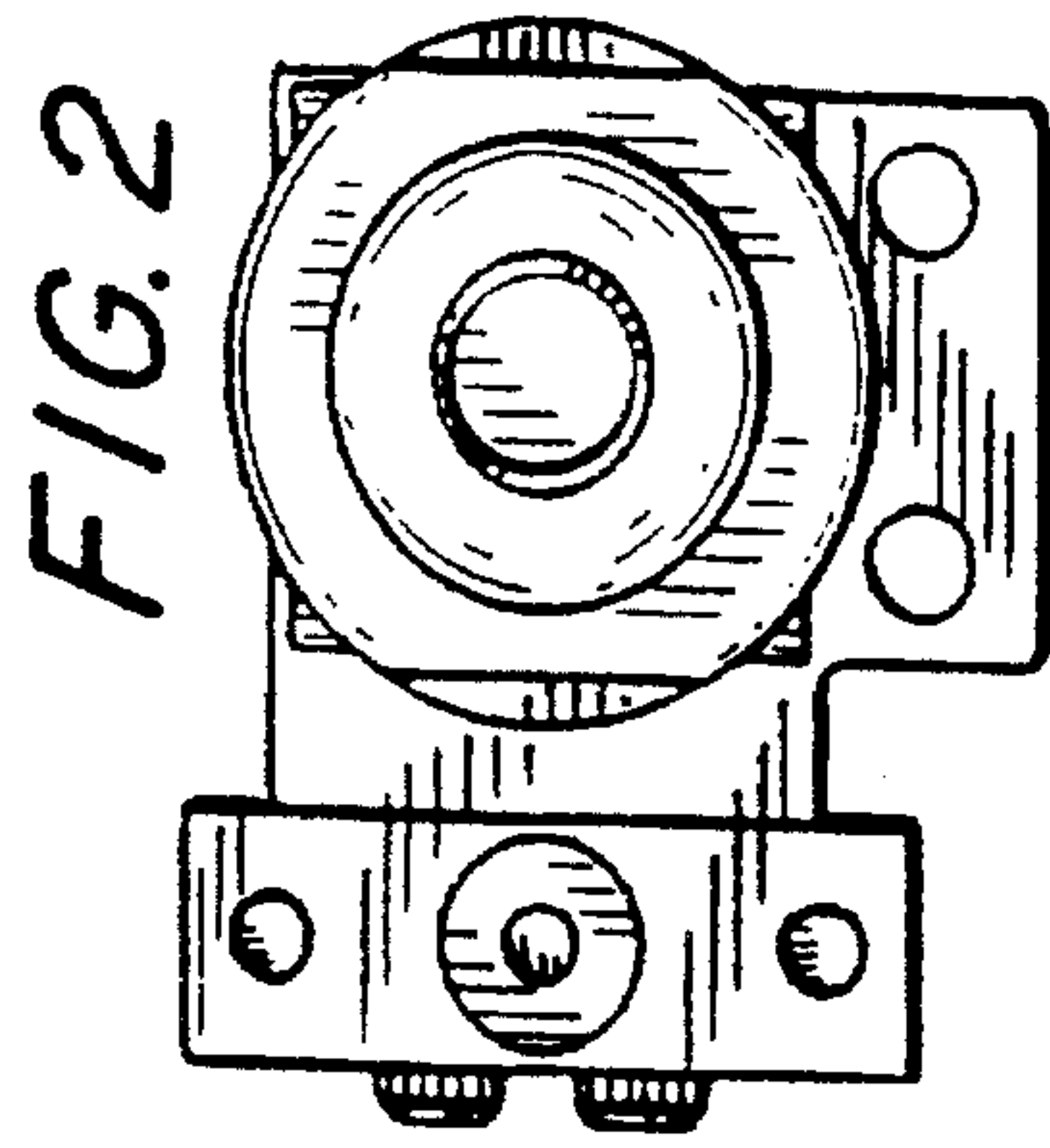


FIG. 4

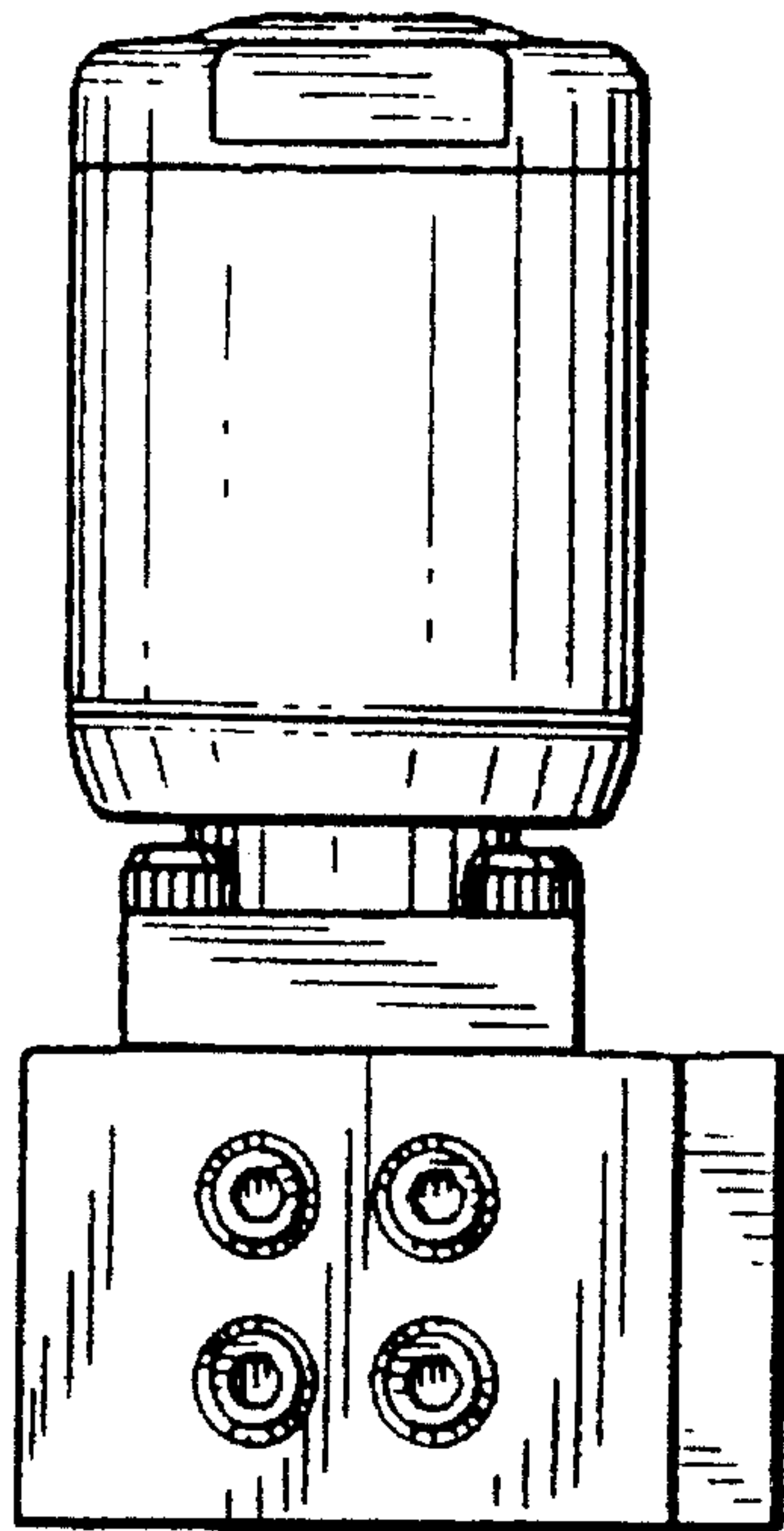


FIG. 6

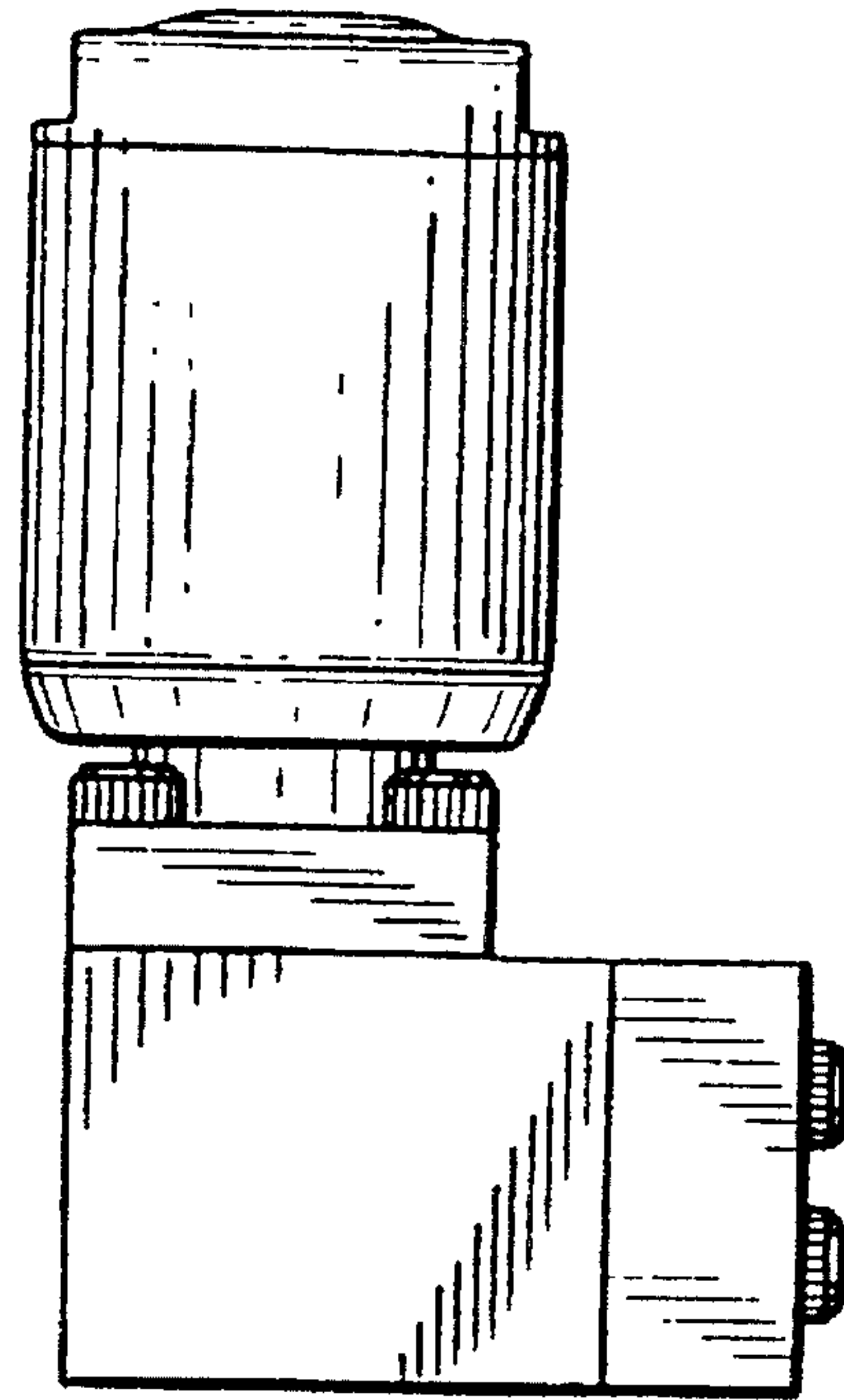


FIG. 5

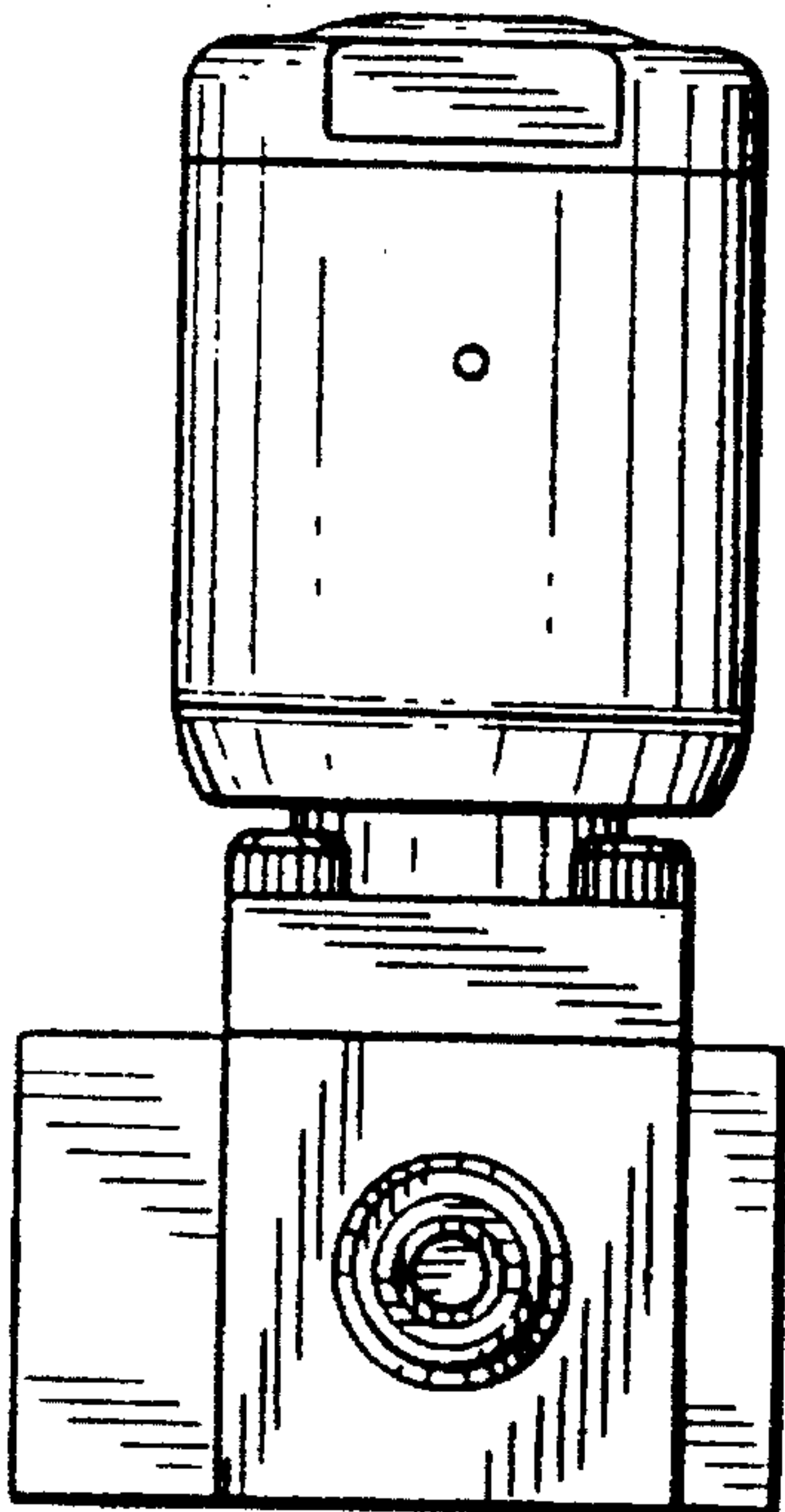


FIG. 7

