



US00D368129S

United States Patent [19]
Peeples

[11] **Patent Number: Des. 368,129**
[45] **Date of Patent: **Mar. 19, 1996**

[54] **CHEMICAL DISPENSER VALVE FOR A BOAT ENGINE FLUSHER**

[76] Inventor: **Leo F. Peeples**, 2200 NW. 32nd Ter.,
Lauderdale Lakes, Fla. 33311

[**] Term: **14 Years**

[21] Appl. No.: **34,041**

[22] Filed: **Jan. 26, 1995**

[52] **U.S. Cl.** **D23/225**

[58] **Field of Search** D23/213, 223-229;
239/302, 310, 315-317, 373, 394; 137/268

[56] **References Cited**

U.S. PATENT DOCUMENTS

D. 244,057	4/1977	Aul et al.	D23/225
2,340,205	1/1944	Pinkerton	137/268
2,798,767	7/1957	Andrews	137/268
3,770,205	11/1973	Proctor et al.	239/317

Primary Examiner—A. Hugo Word

Assistant Examiner—Robin V. Taylor
Attorney, Agent, or Firm—Malin, Haley, DiMaggio & Crosby

[57] **CLAIM**

The ornamental design for chemical dispenser valve for a boat engine flusher, as shown and described.

DESCRIPTION

FIG. 1 is a perspective view of the invention, showing the new design;

FIG. 2 is a right side elevational view thereof;

FIG. 3 is a top plan view thereof;

FIG. 4 is a left side elevational view thereof;

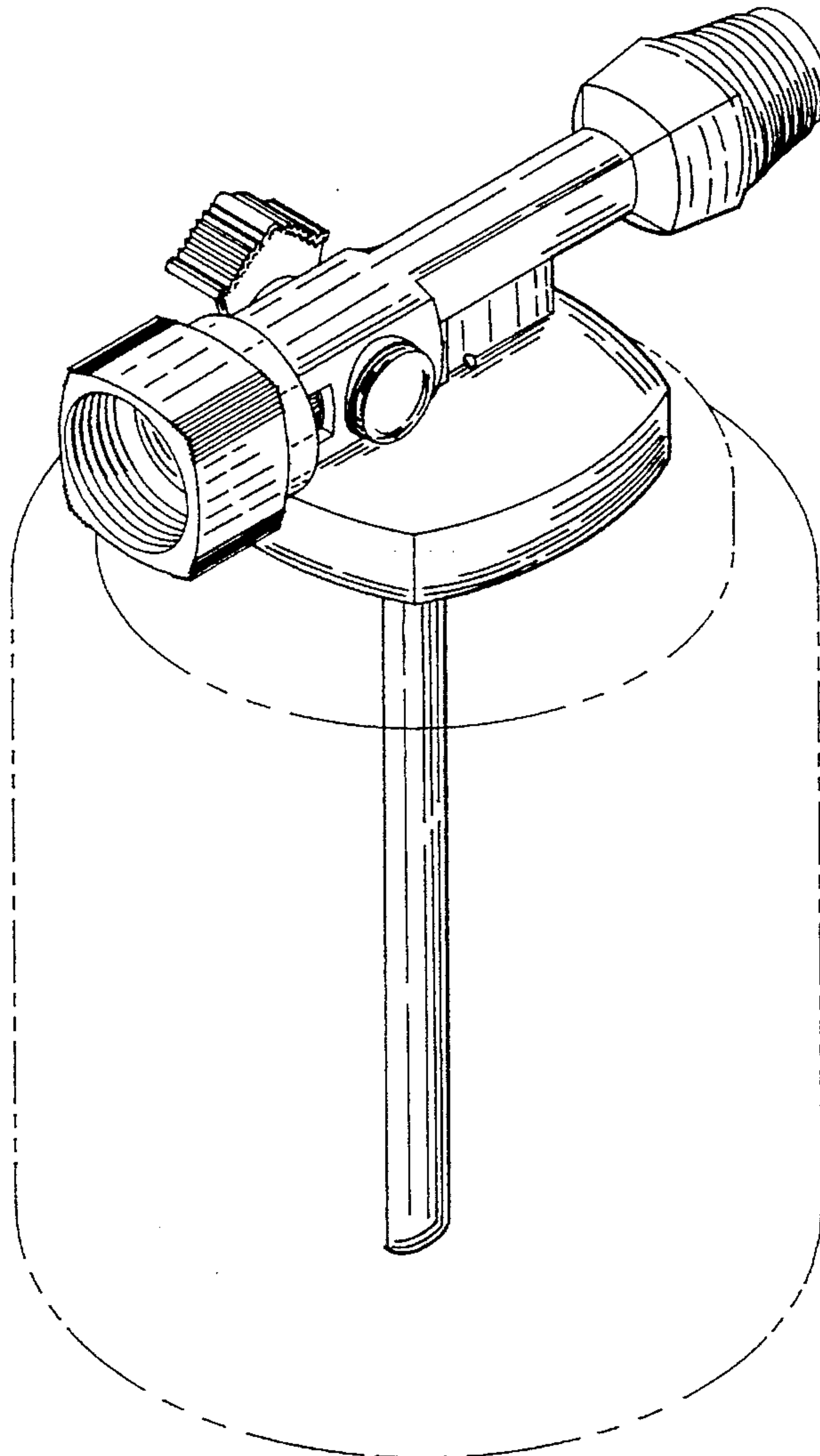
FIG. 5 is a bottom plan view thereof;

FIG. 6 is a rear elevational view thereof; and,

FIG. 7 is a front elevational view thereof.

The broken line showing of a container is for illustrative purposes only and forms no part of the claimed design.

1 Claim, 4 Drawing Sheets



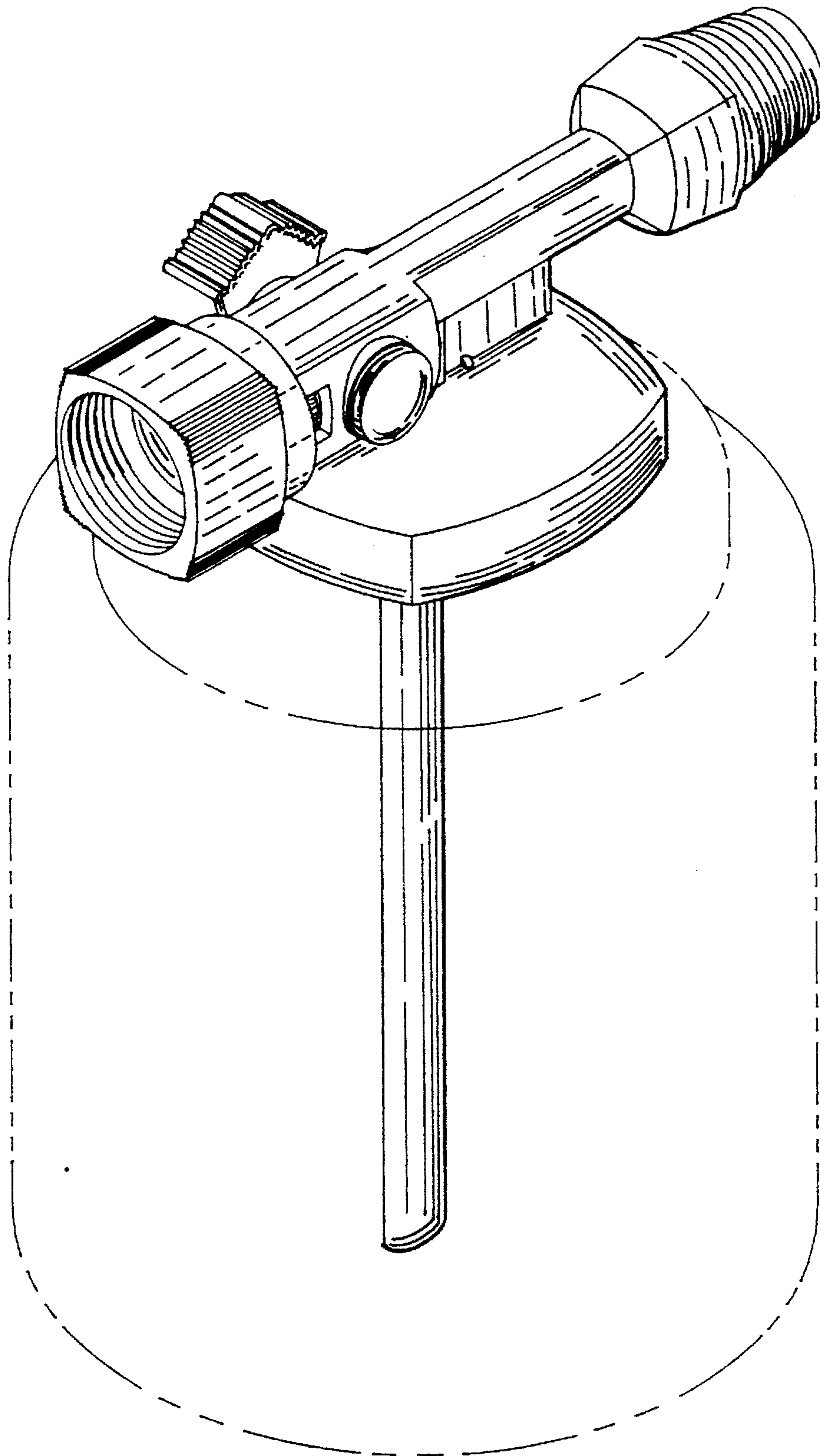


Fig. 1

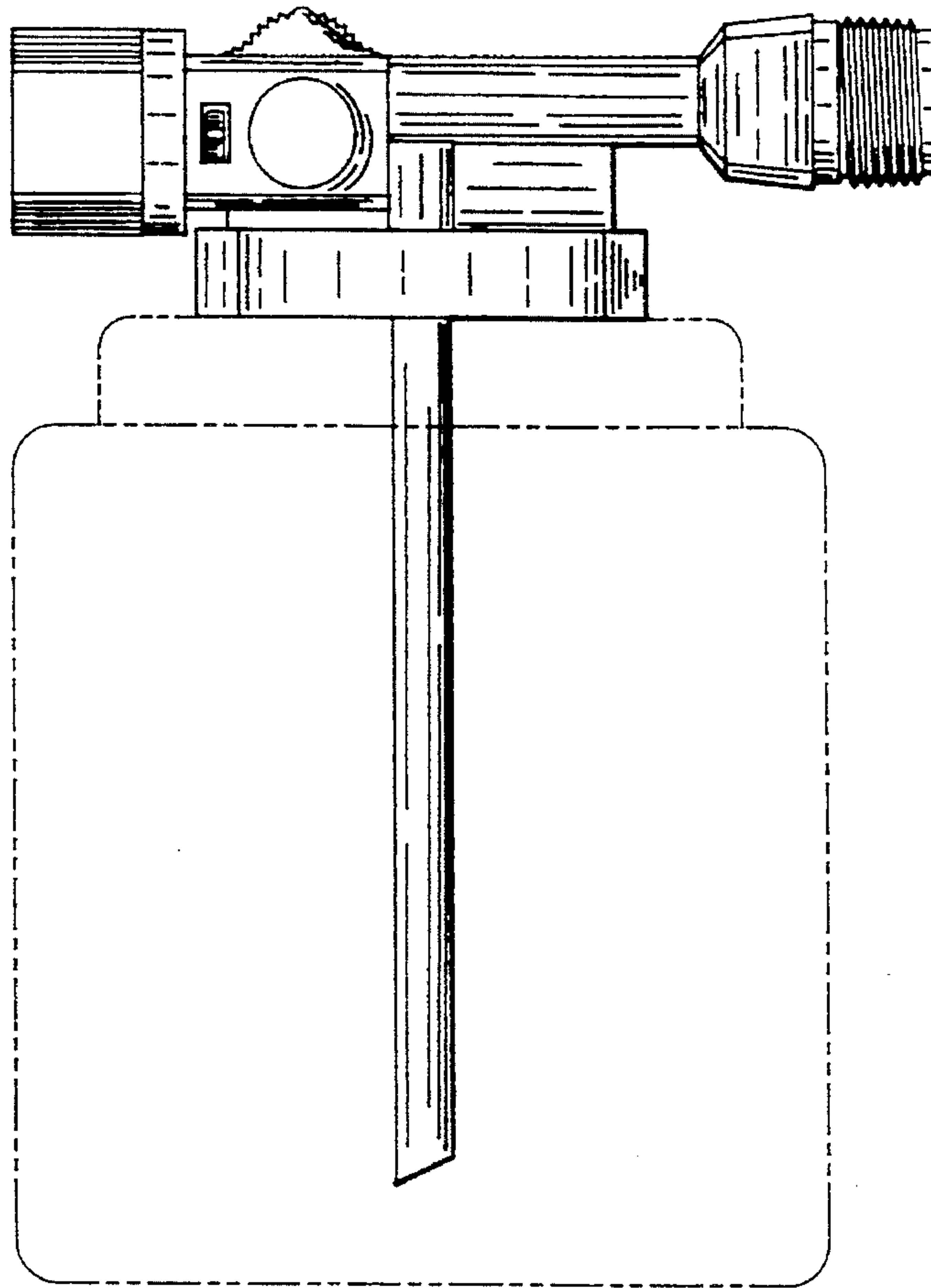


Fig. 2

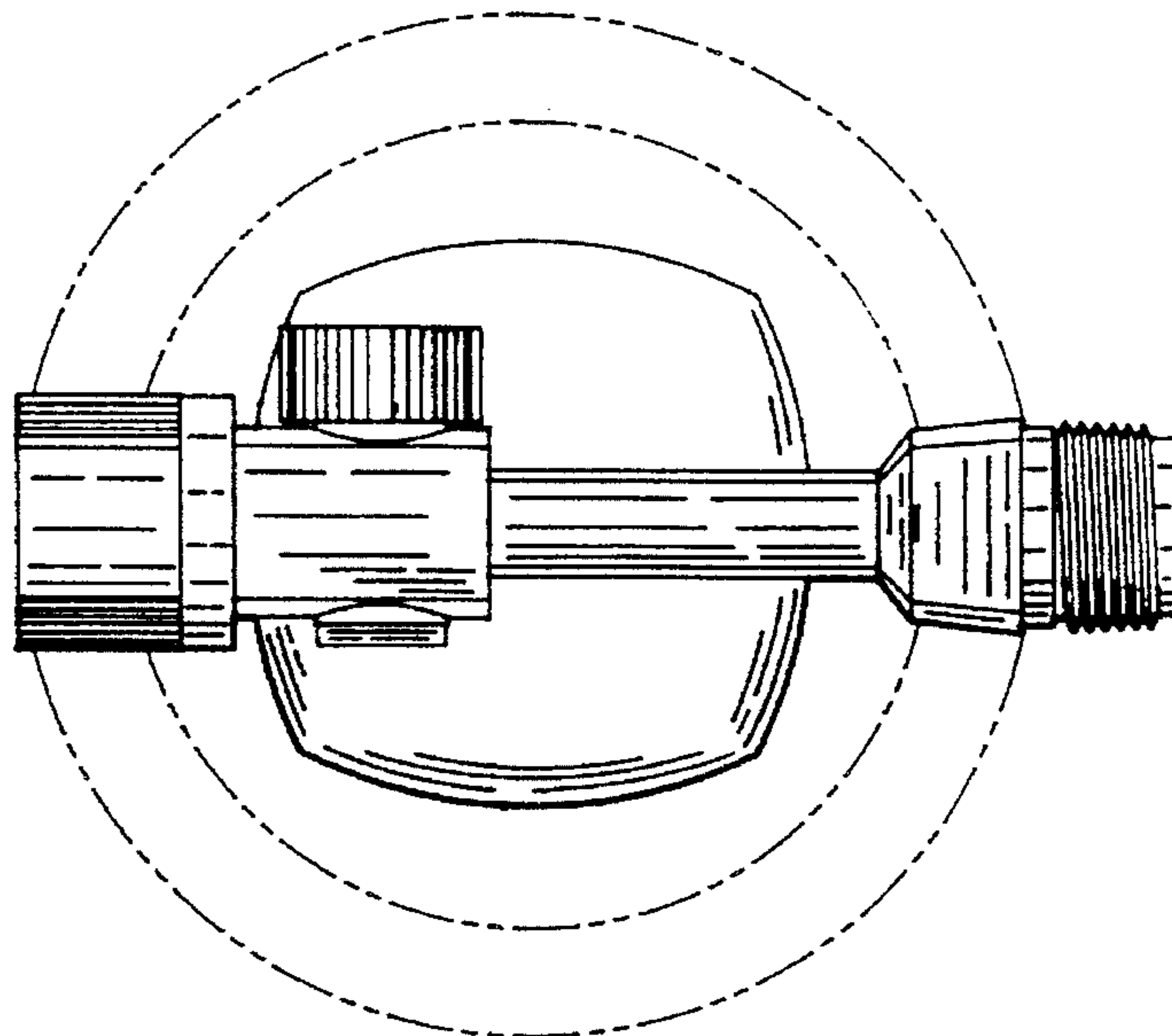


Fig. 3

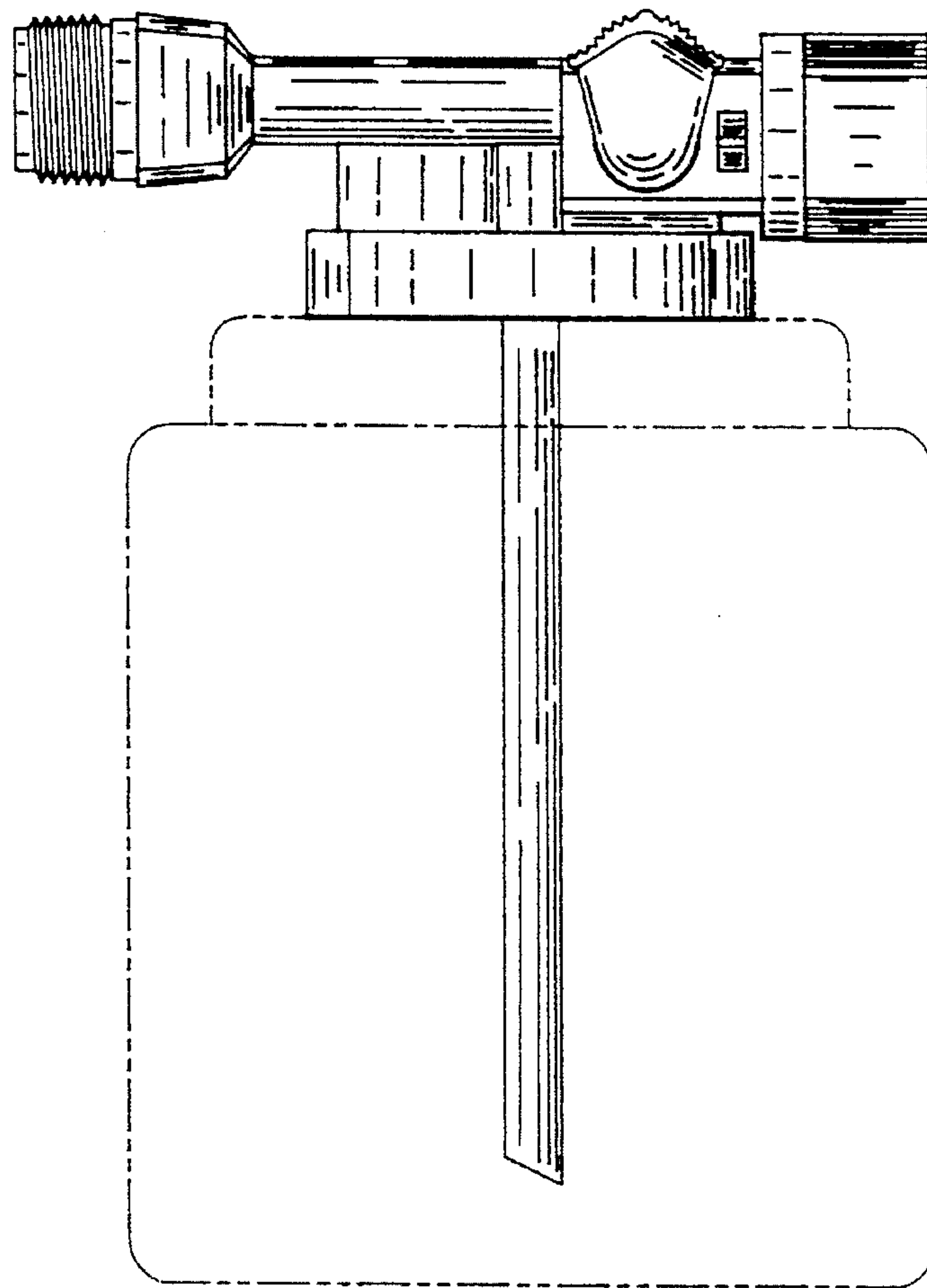


Fig. 4

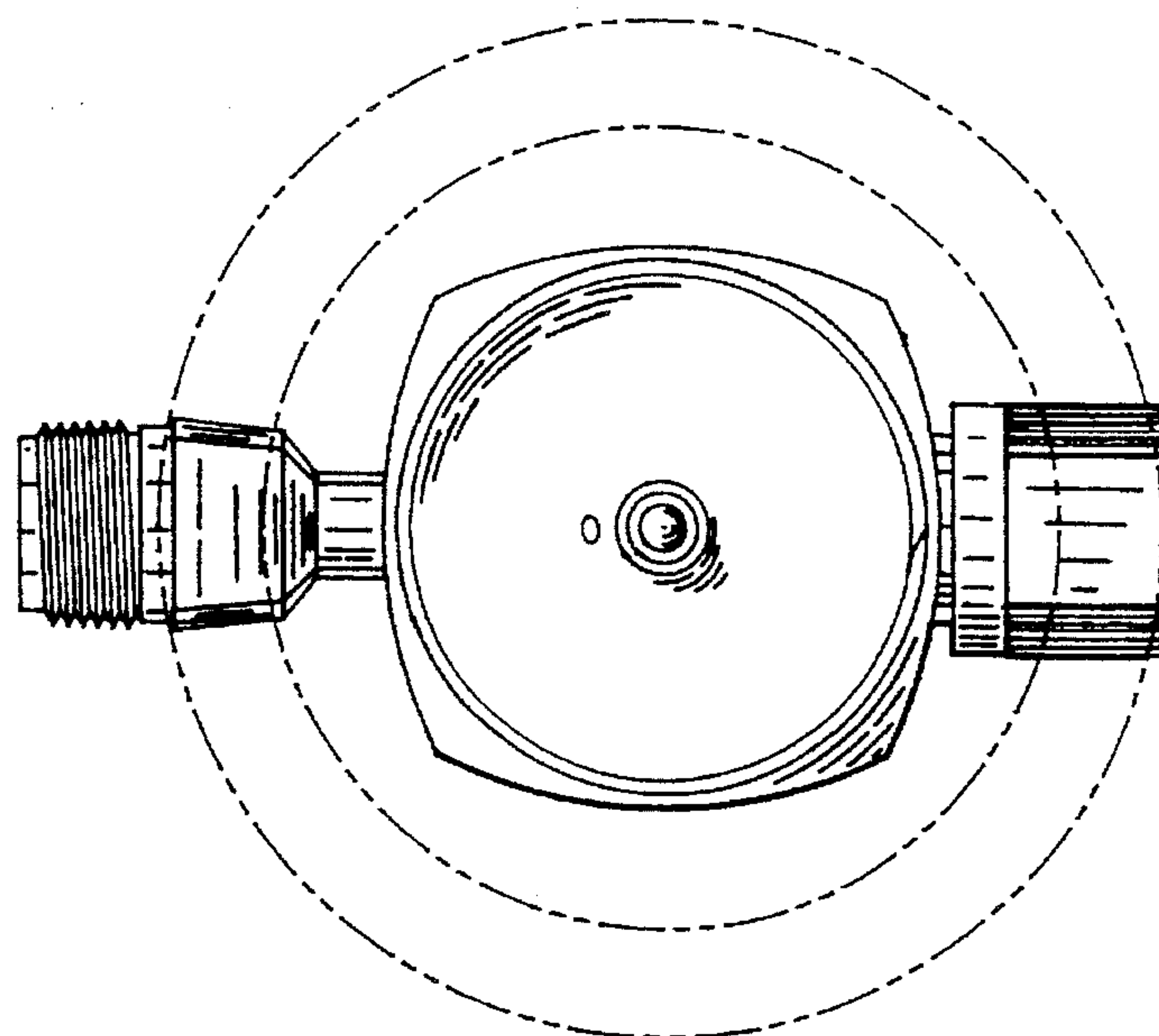


Fig. 5

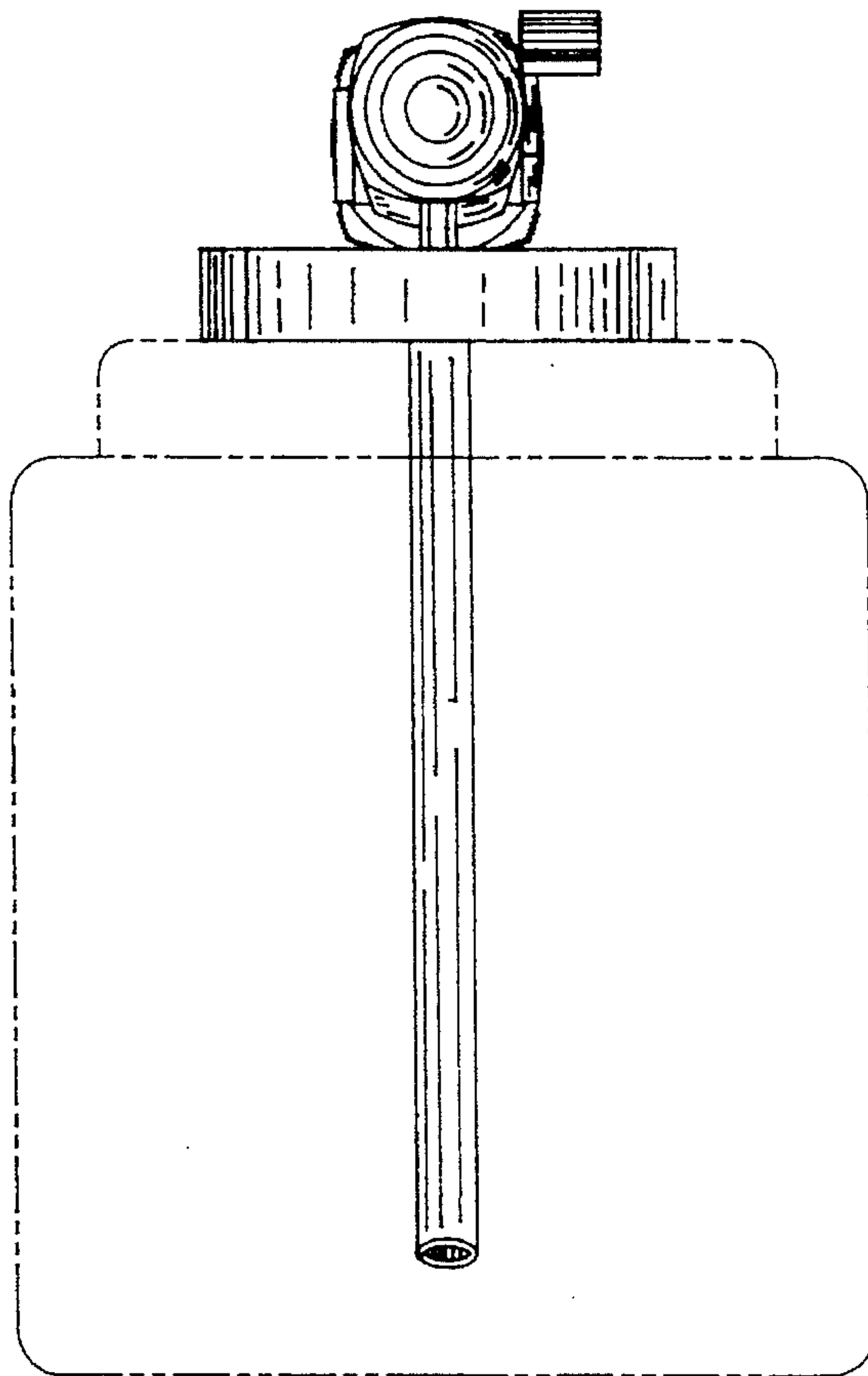


Fig. 6

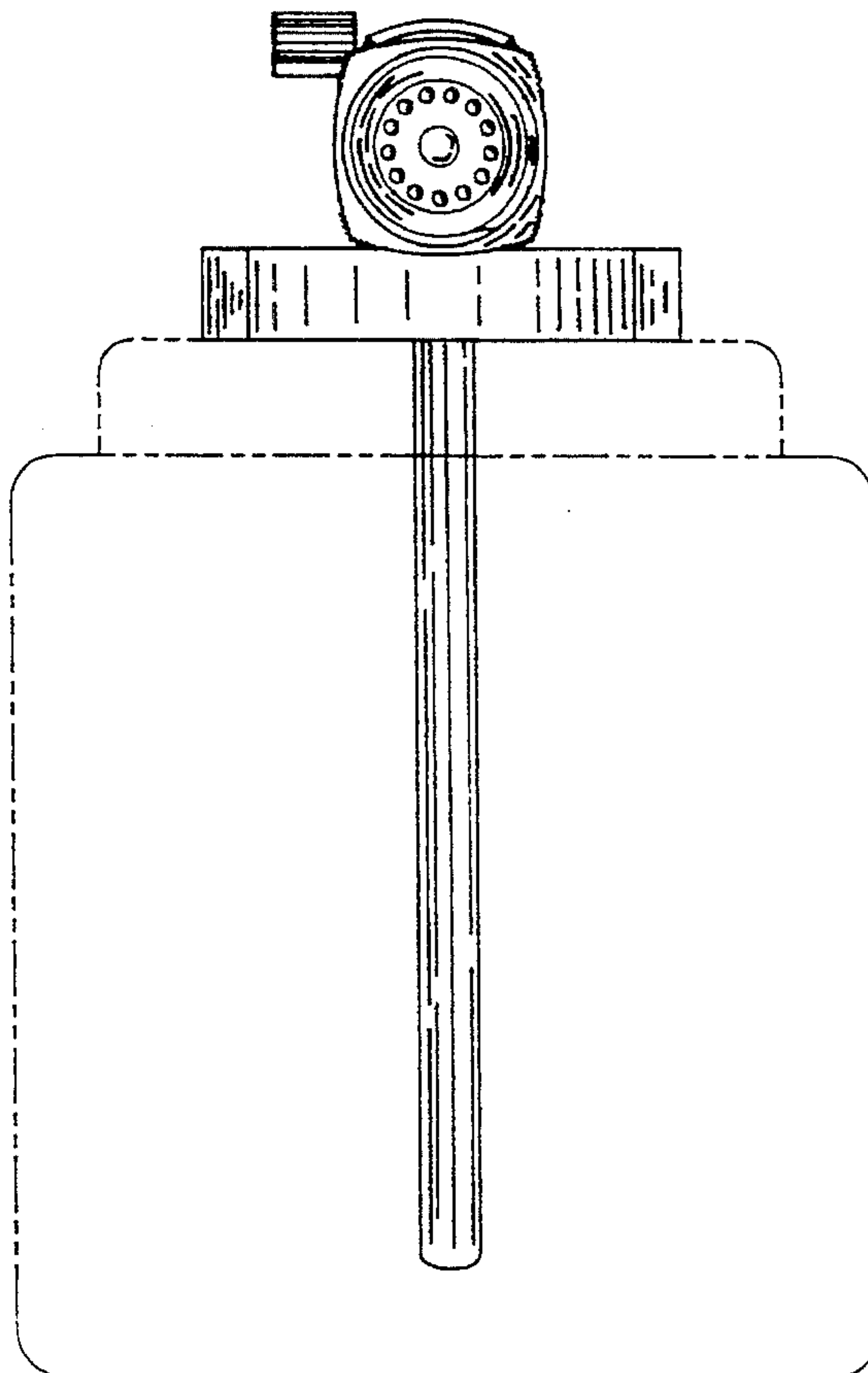


Fig. 7