



US00D368128S

United States Patent [19]
McCarthy

[11] **Patent Number: Des. 368,128**

[45] **Date of Patent: **Mar. 19, 1996**

[54] **COMBINED HAND SHOWER, MIRROR AND ARTICLE HOLDER**

[76] Inventor: **Bill G. McCarthy**, 1203 4th Ave. SE., Cascade, Iowa 52003-9568

[**] Term: **14 Years**

[21] Appl. No.: **35,219**

[22] Filed: **Feb. 22, 1995**

[52] U.S. Cl. **D23/213; D6/525**

[58] **Field of Search** D23/213, 223-229; D6/524, 525; 4/596-600, 612-614; 239/302, 310, 315-317, 373, 394, 414-415, 460

[56] **References Cited**

U.S. PATENT DOCUMENTS

D. 195,297	5/1963	Raphael	D6/525
D. 291,912	9/1987	Fabian	D23/223
D. 315,840	4/1991	Emery	D6/525
3,708,218	1/1973	Smillie	4/597

Primary Examiner—A. Hugo Word
Assistant Examiner—Robin V. Taylor
Attorney, Agent, or Firm—Harpman & Harpman

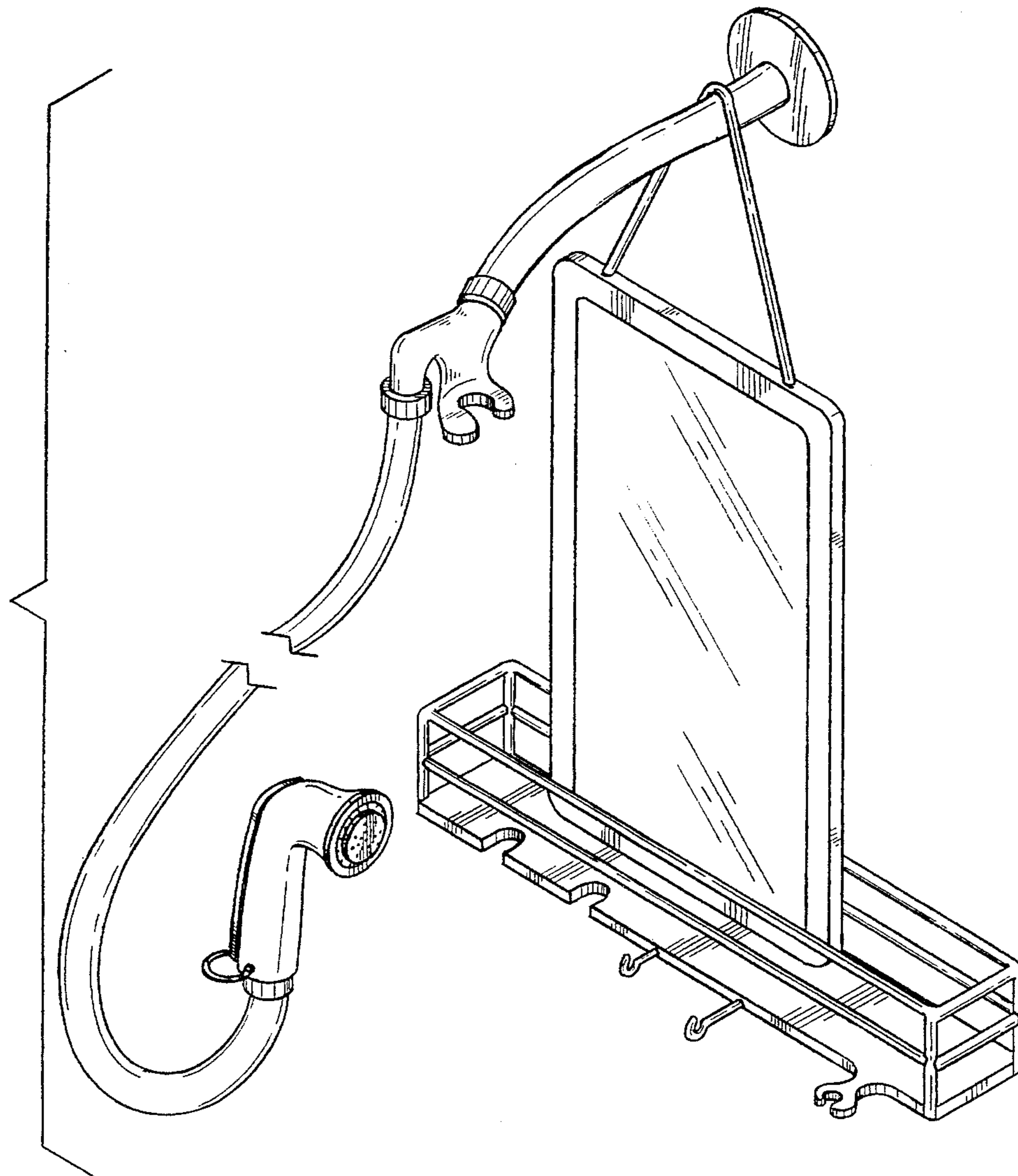
[57] **CLAIM**

The ornamental design for a combined hand shower, mirror and article holder, as shown and described.

DESCRIPTION

FIG. 1 is a front, top and side perspective view of the combined hand shower, mirror and article holder embodying the design of the present invention; FIG. 2 is a front elevational view thereof; FIG. 3 is a rear elevational view thereof; FIG. 4 is a right side elevational view thereof; FIG. 5 is a left side elevational view thereof; FIG. 6 is a top plan view thereof; and, FIG. 7 is a bottom plan view thereof. The shower hose is shown broken away to indicate indeterminate length.

1 Claim, 6 Drawing Sheets



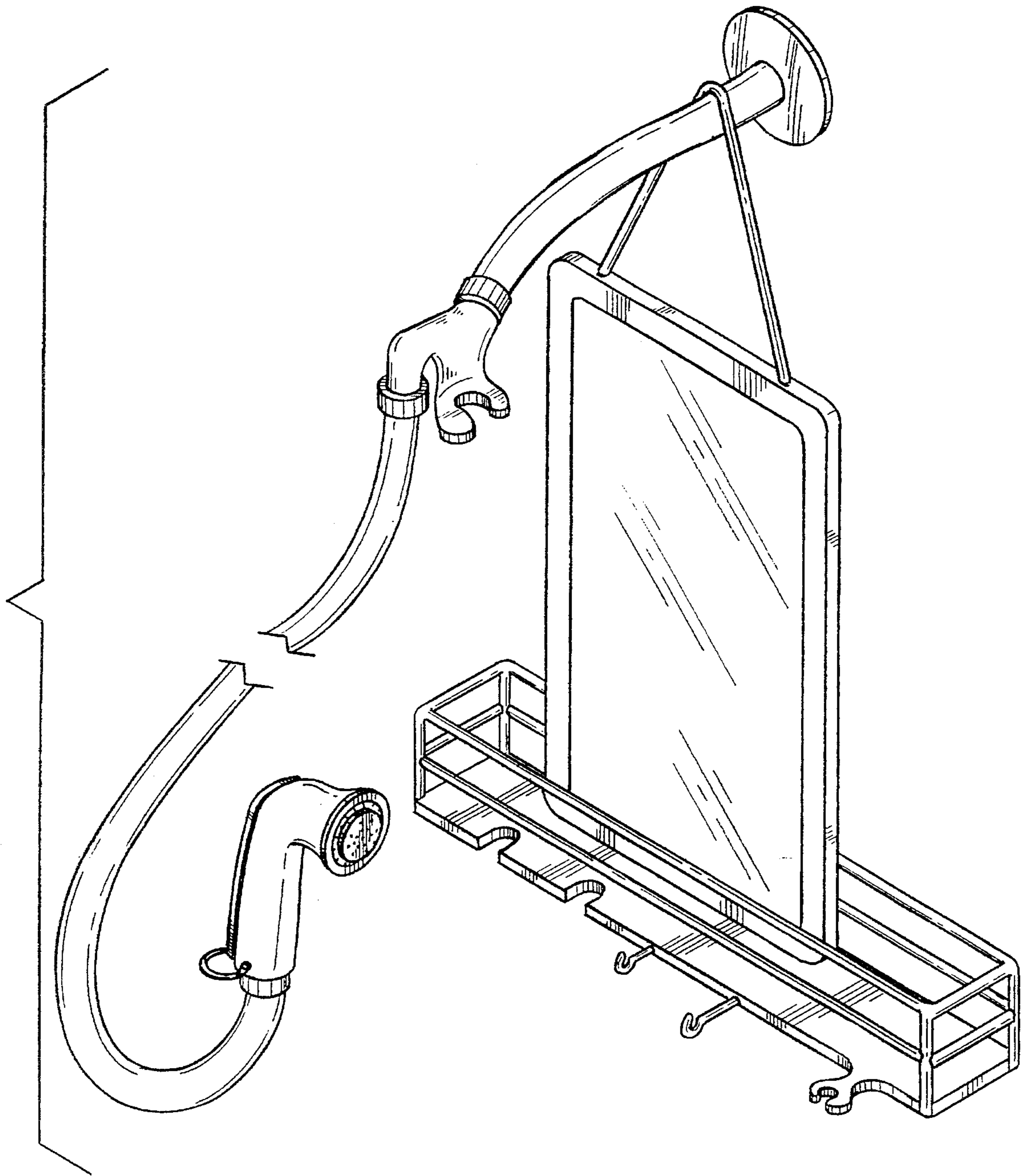


FIG. 1

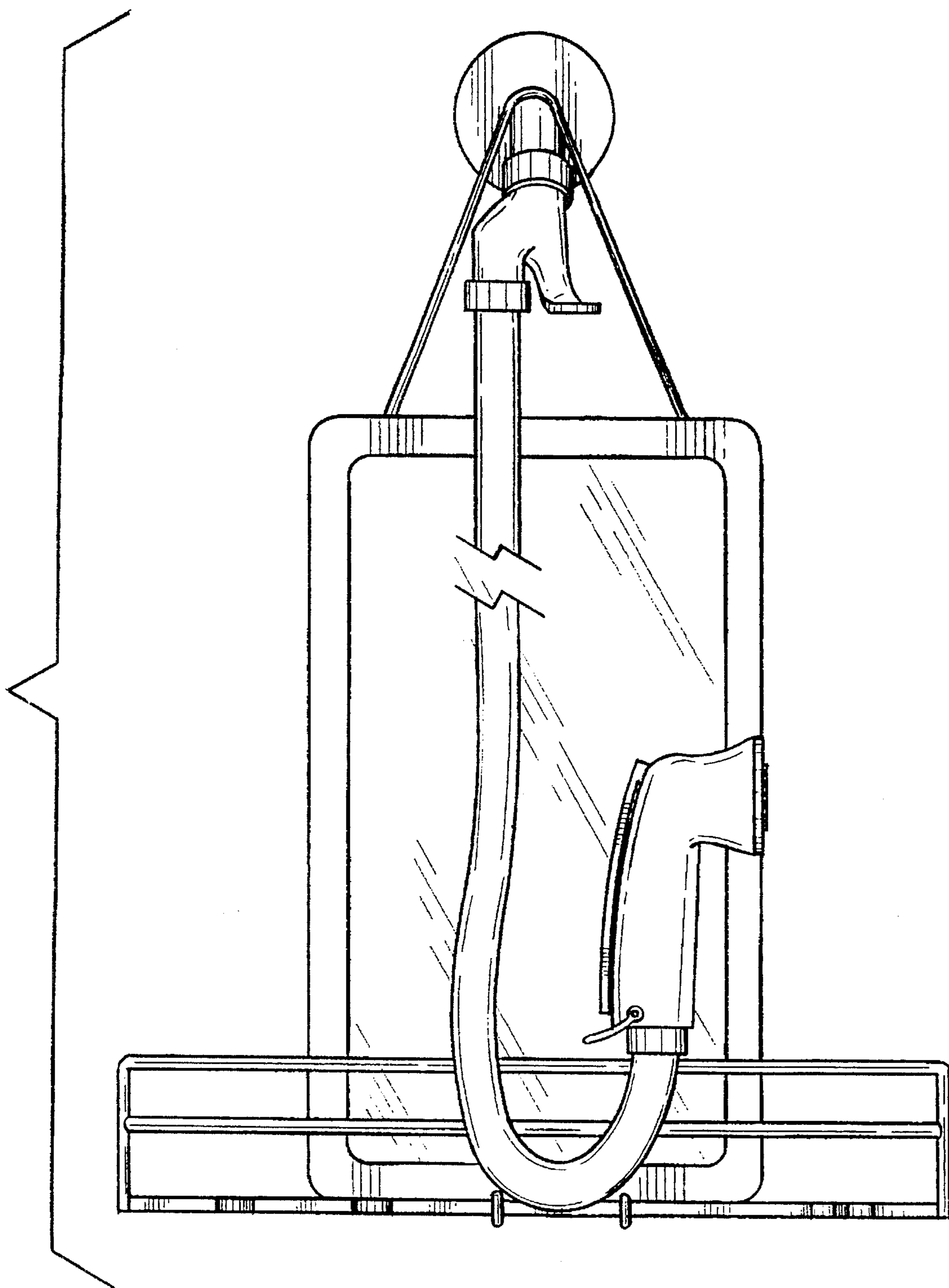


FIG. 2

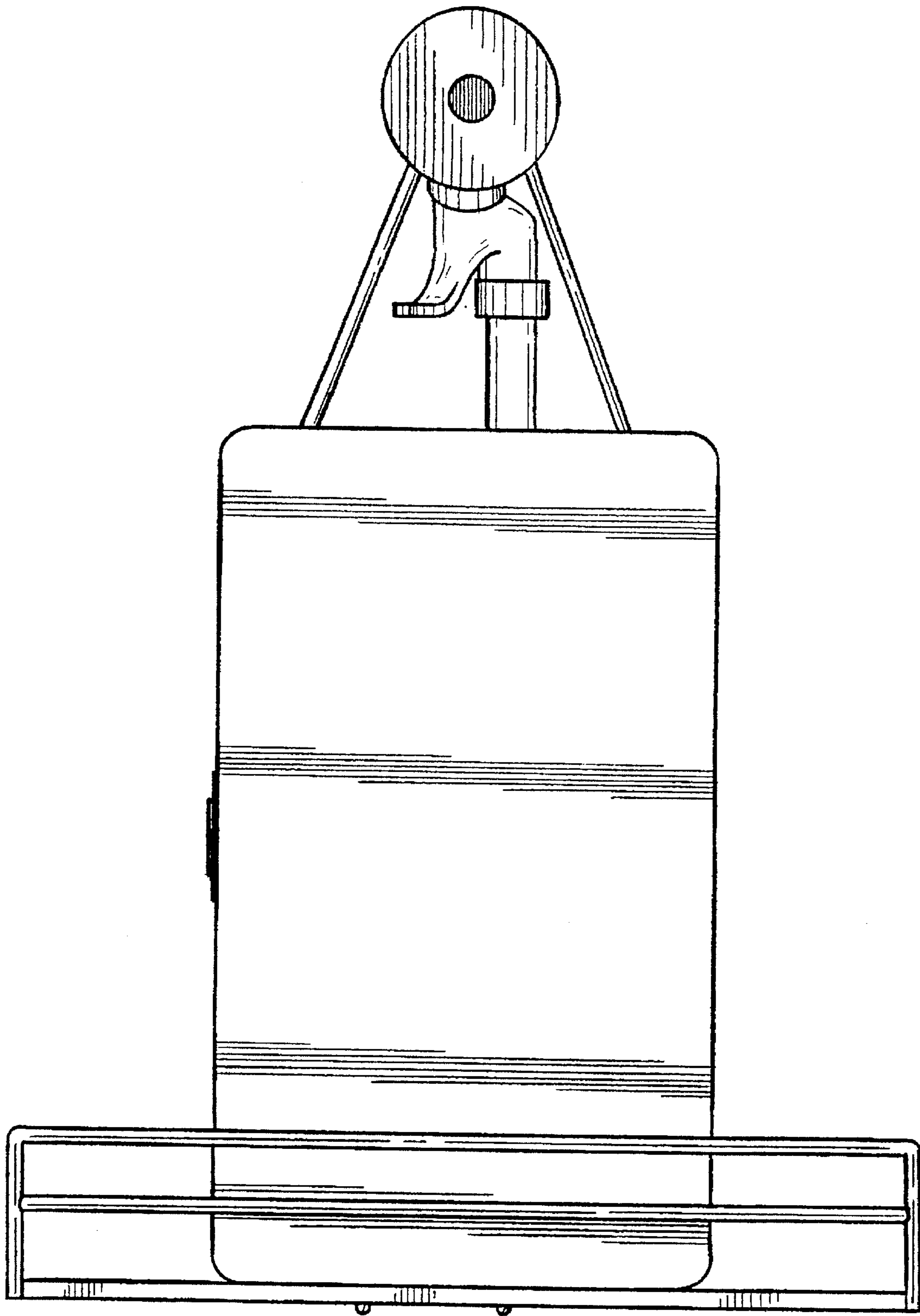


FIG. 3

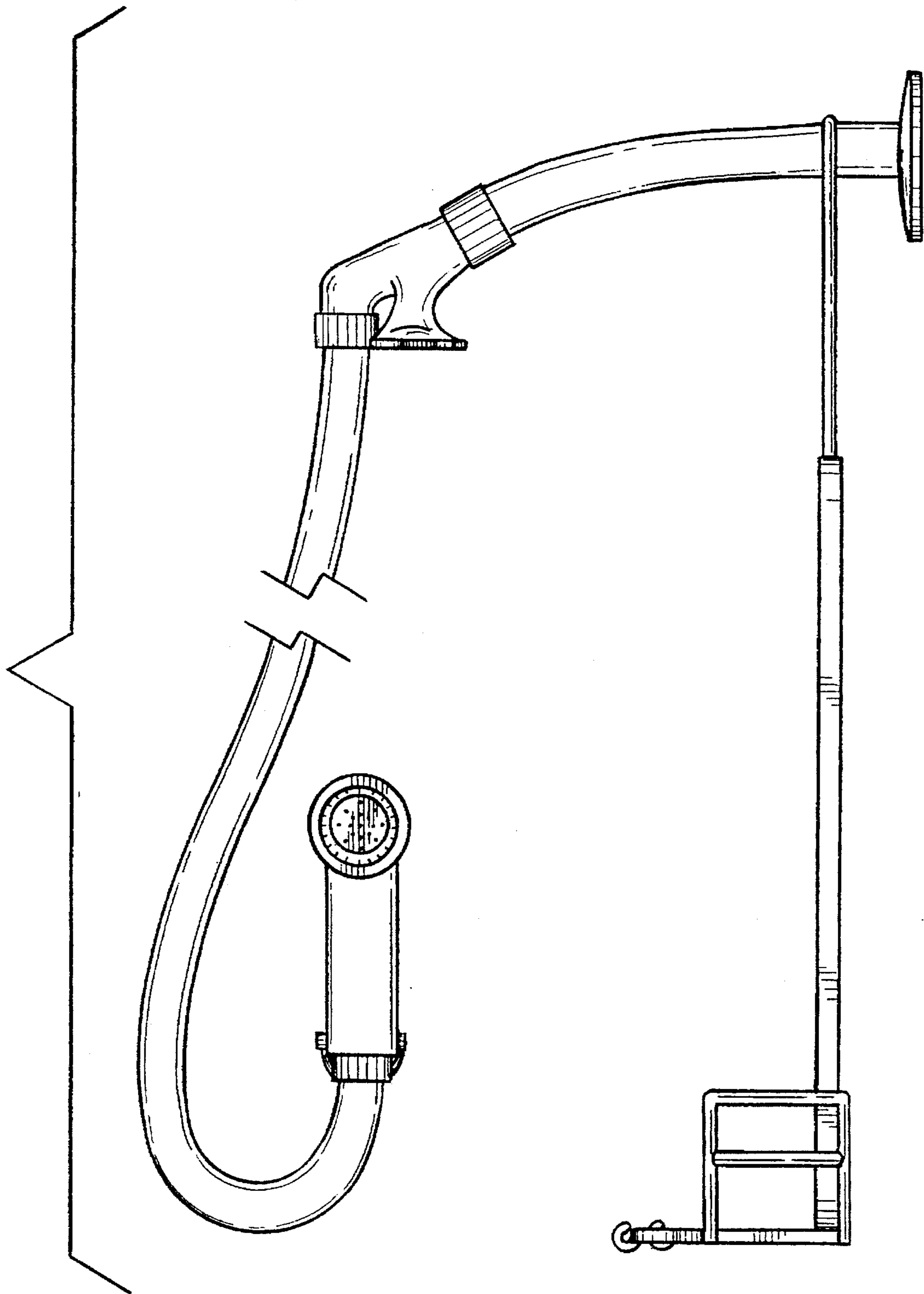


FIG.4

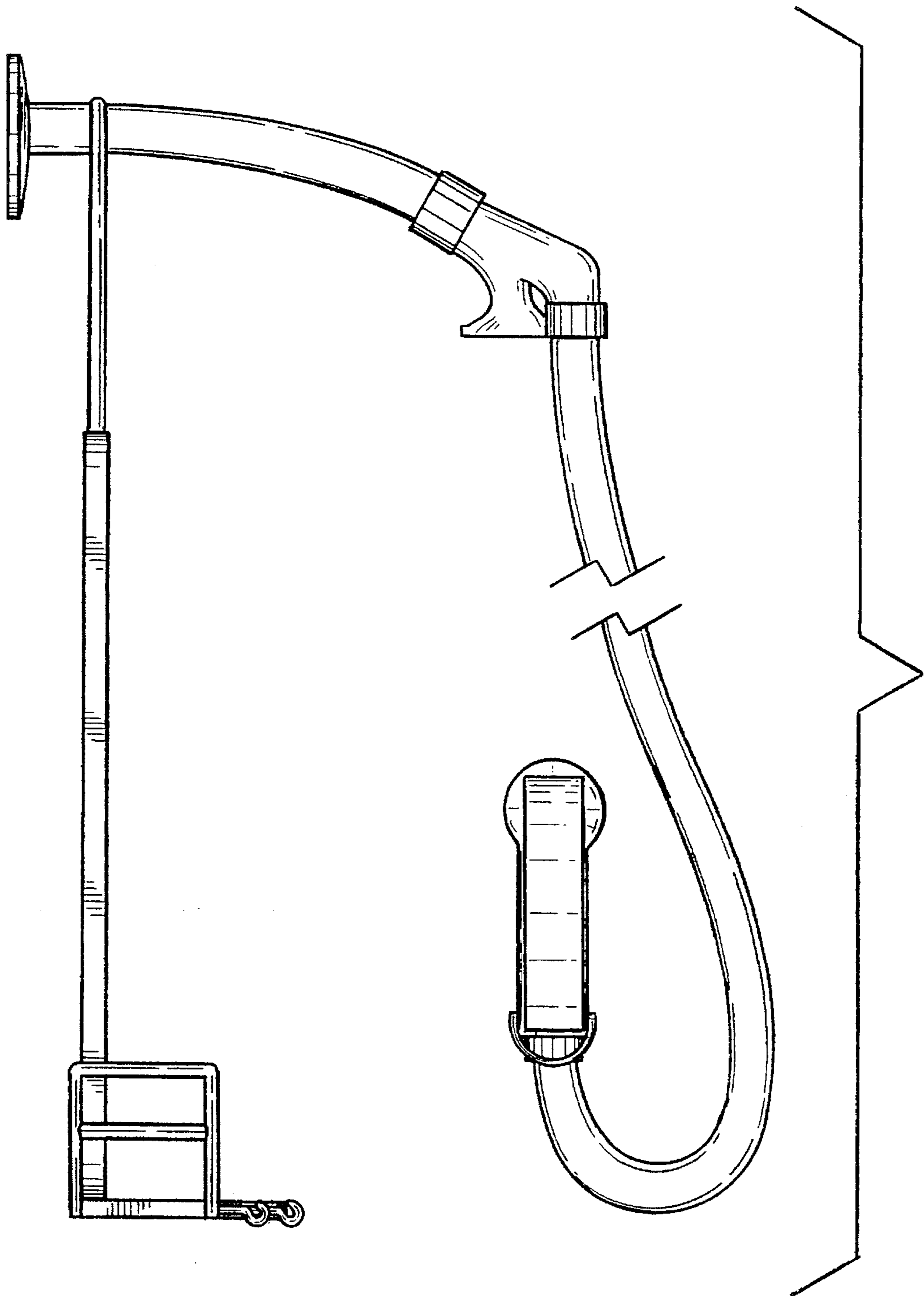


FIG. 5

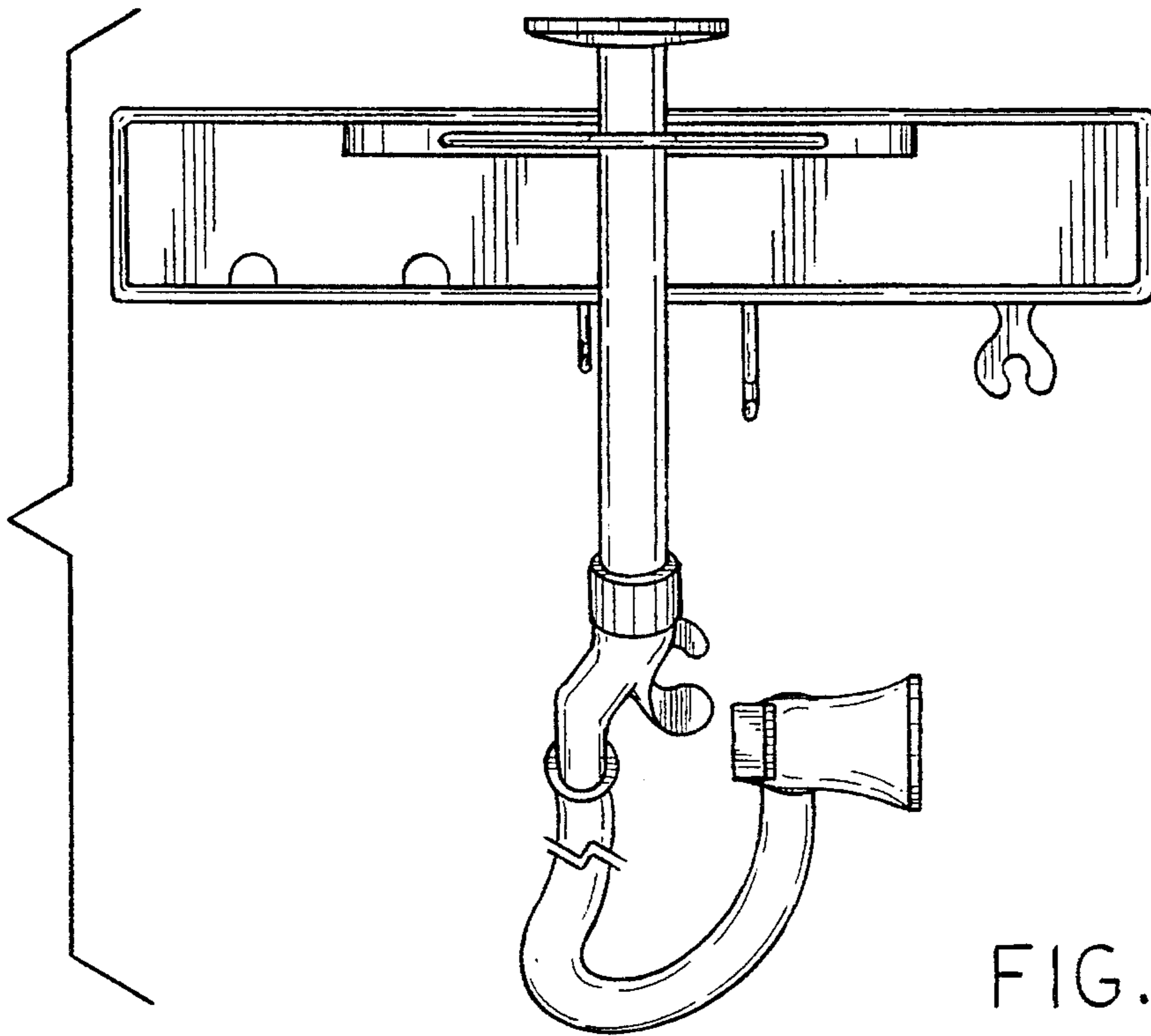


FIG. 6

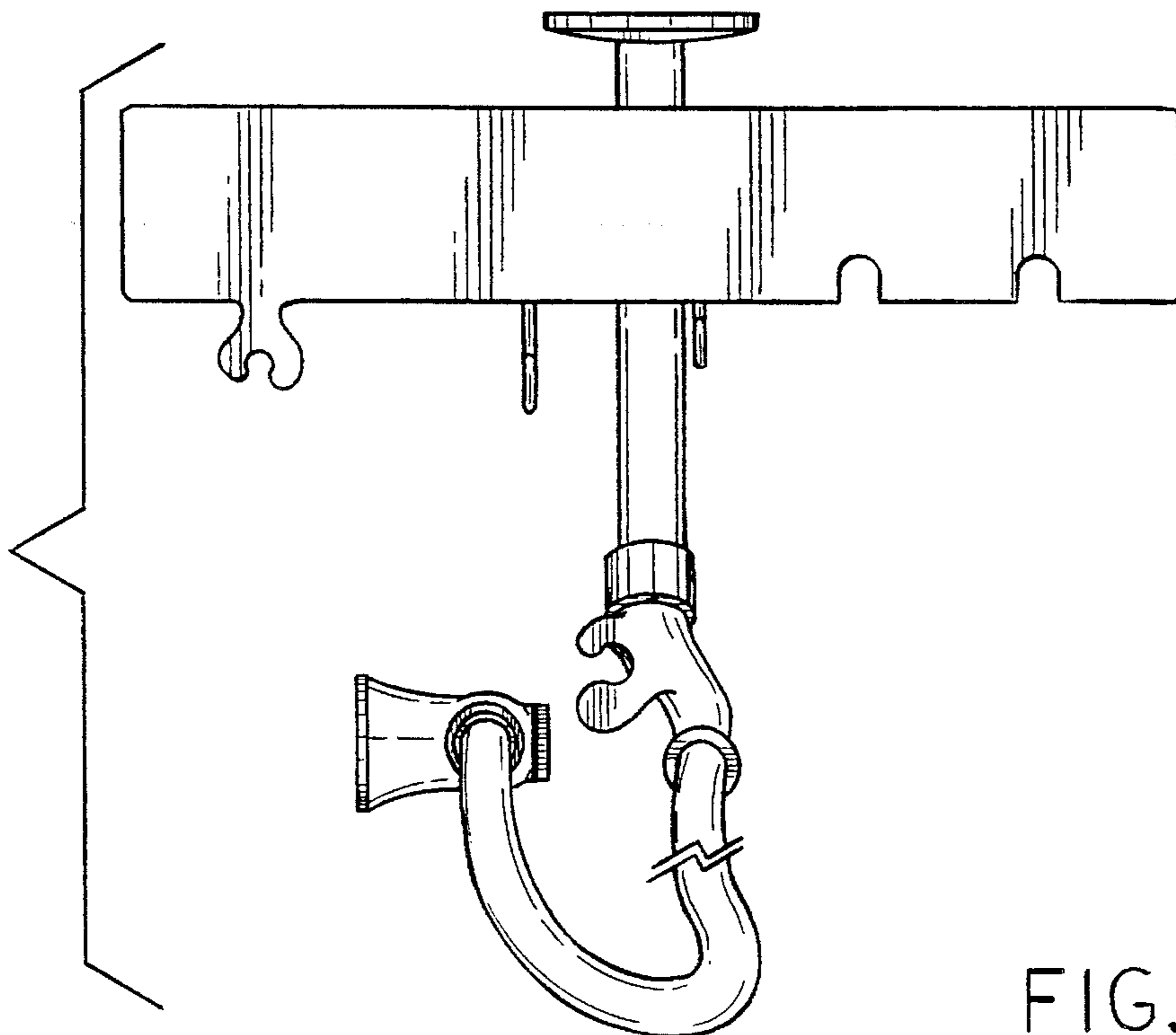


FIG. 7