



US00D368117S

United States Patent [19]

[11] Patent Number: **Des. 368,117**

Valls et al.

[45] Date of Patent: ****Mar. 19, 1996**

[54] **DISPLAY PLAQUE HOLDER**

[75] Inventors: **William H. Valls**, Harwinton; **David W. Schweitzer**, West Hartford; **Jonathan C. Hamilton**, Tariffville, all of Conn.

[73] Assignee: **Bausch & Lomb Incorporated**, Rochester, N.Y.

[**] Term: **14 Years**

[21] Appl. No.: **37,204**

[22] Filed: **Apr. 4, 1995**

[52] U.S. Cl. **D20/40**

[58] Field of Search D20/10, 39, 18, D20/15, 40, 42; D6/300-310; 40/124, 124.1, 124.4, 152, 152.1, 584, 612, 624

[56] **References Cited**

U.S. PATENT DOCUMENTS

D. 328,473 8/1992 **Mayden** D20/40

D. 331,947 12/1992 **Blish et al.** D20/40
D. 333,163 2/1993 **Mendelsohn** D20/40
D. 350,566 9/1994 **Pearson** D20/40
D. 350,777 9/1994 **Dvorak** D20/40

Primary Examiner—A. Hugo Word
Assistant Examiner—Marcus Jackson
Attorney, Agent, or Firm—Katherine McGuire; Salvatore P. Pace

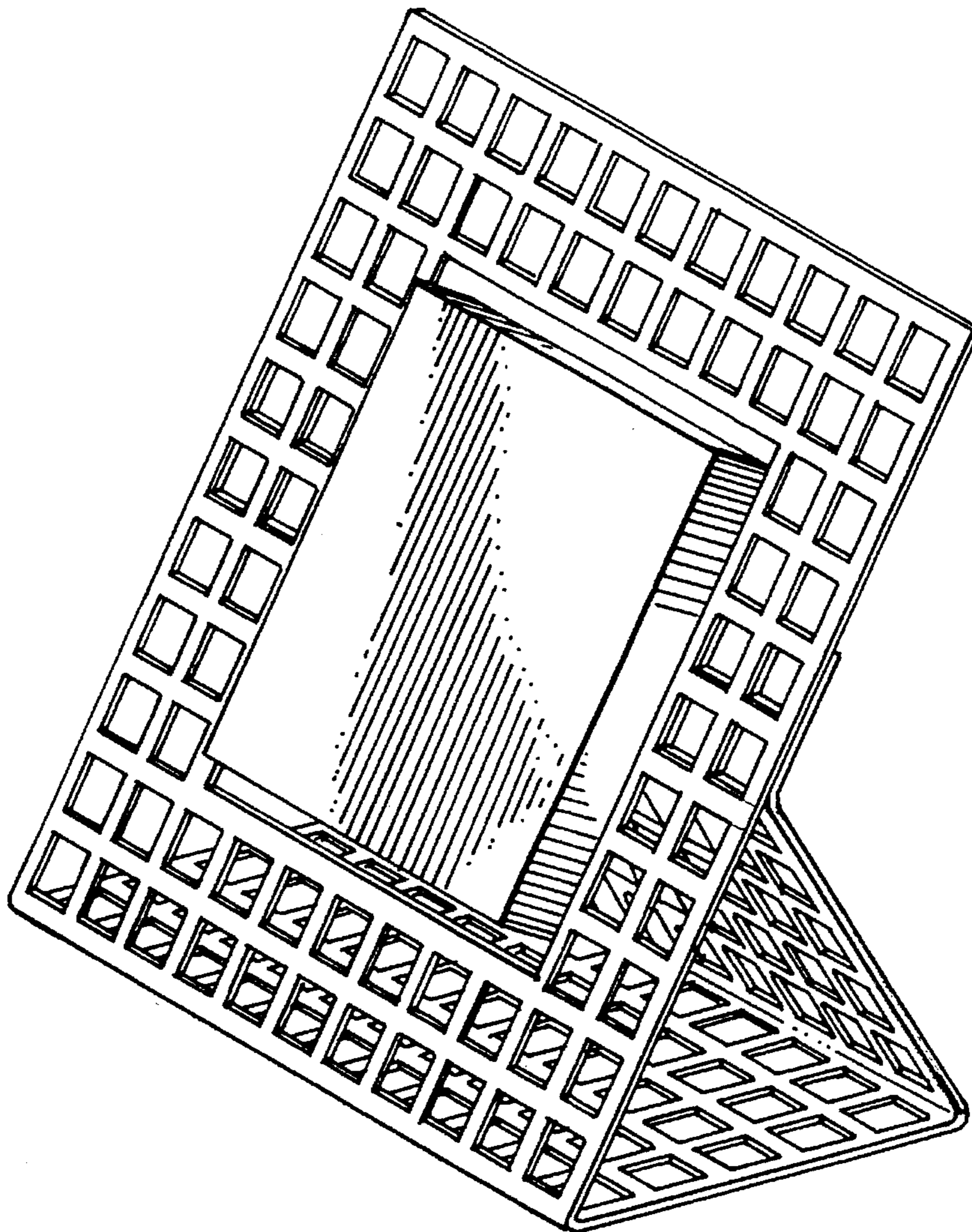
[57] **CLAIM**

The ornamental design for display plaque holder, as shown and described.

DESCRIPTION

FIG. 1 is a front view of our new display plaque holder; FIG. 2 is a right side view thereof; FIG. 3 is a left side view thereof; FIG. 4 is a rear view thereof; and, FIG. 5 is a top right front perspective view thereof, with the bottom being flat and unornamented.

1 Claim, 4 Drawing Sheets



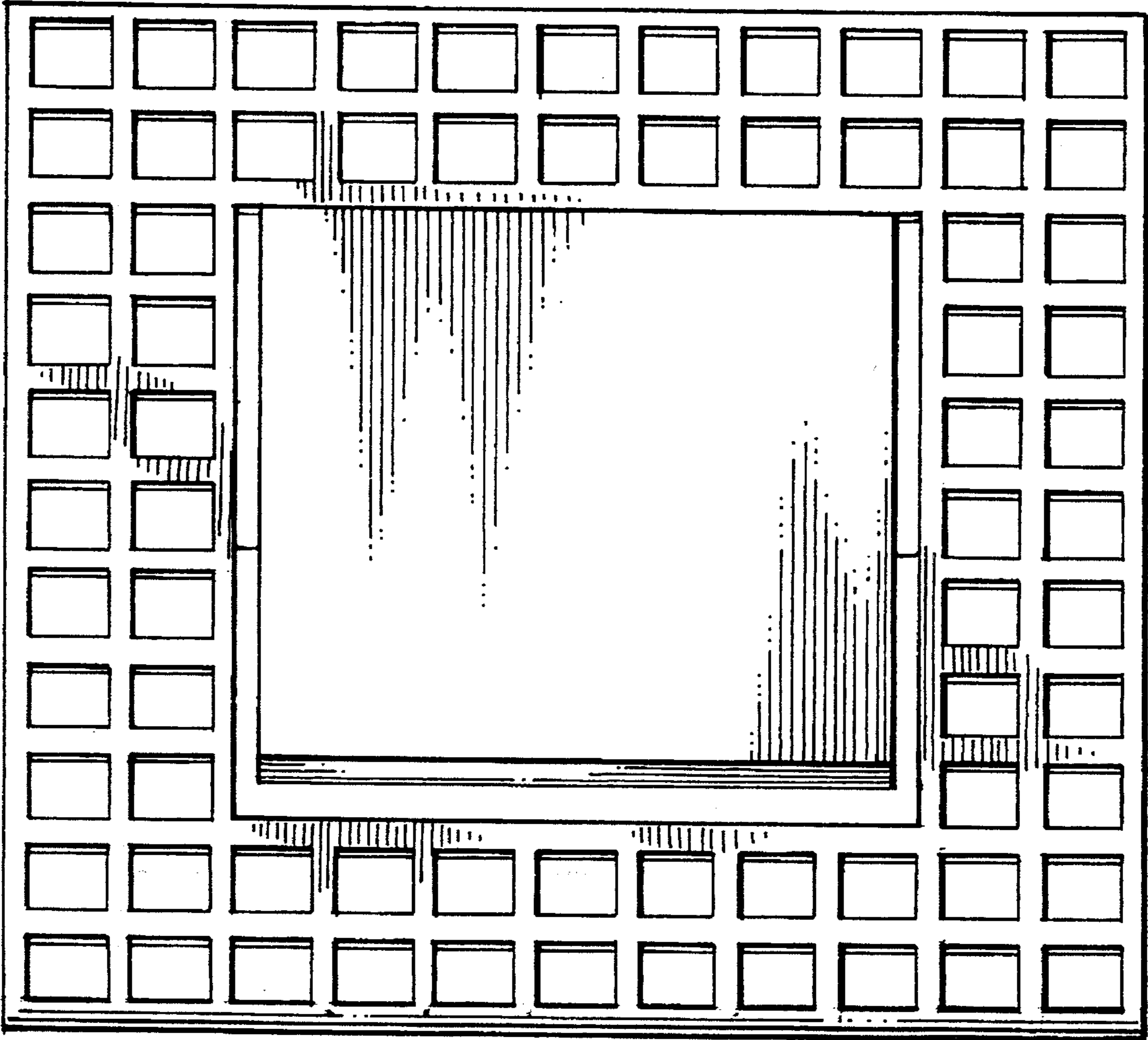


FIG. 1

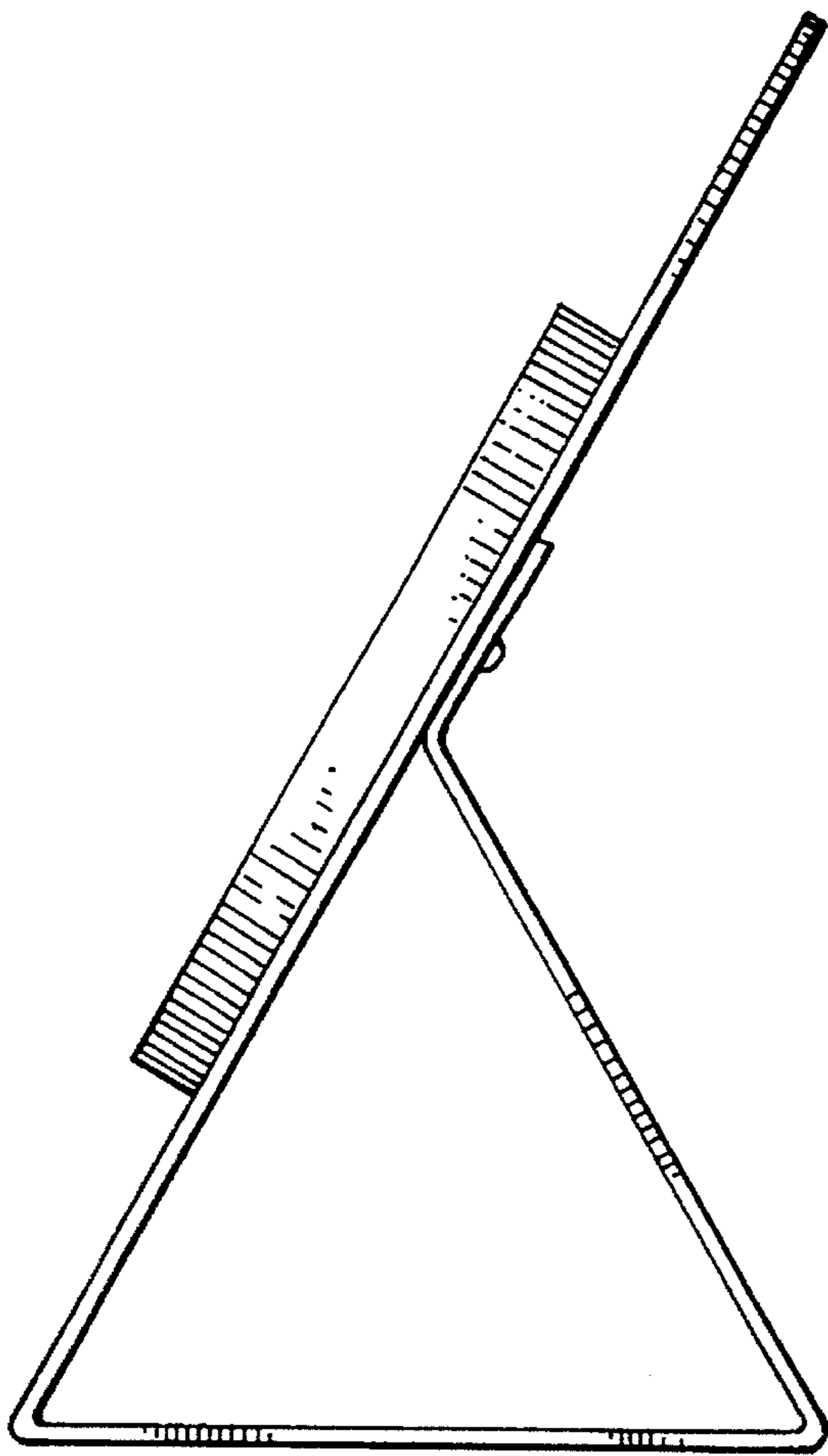


FIG. 2

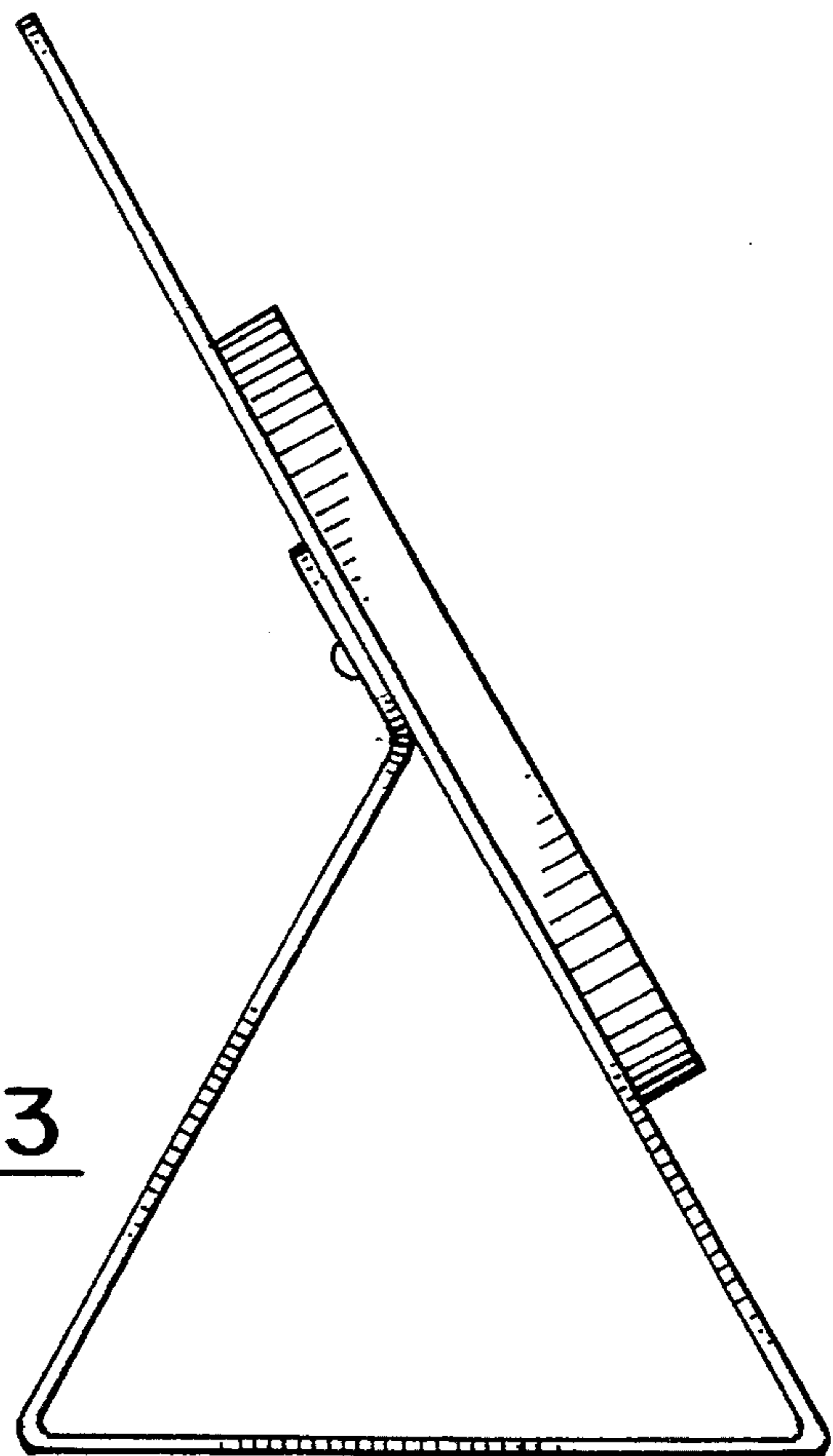


FIG. 3

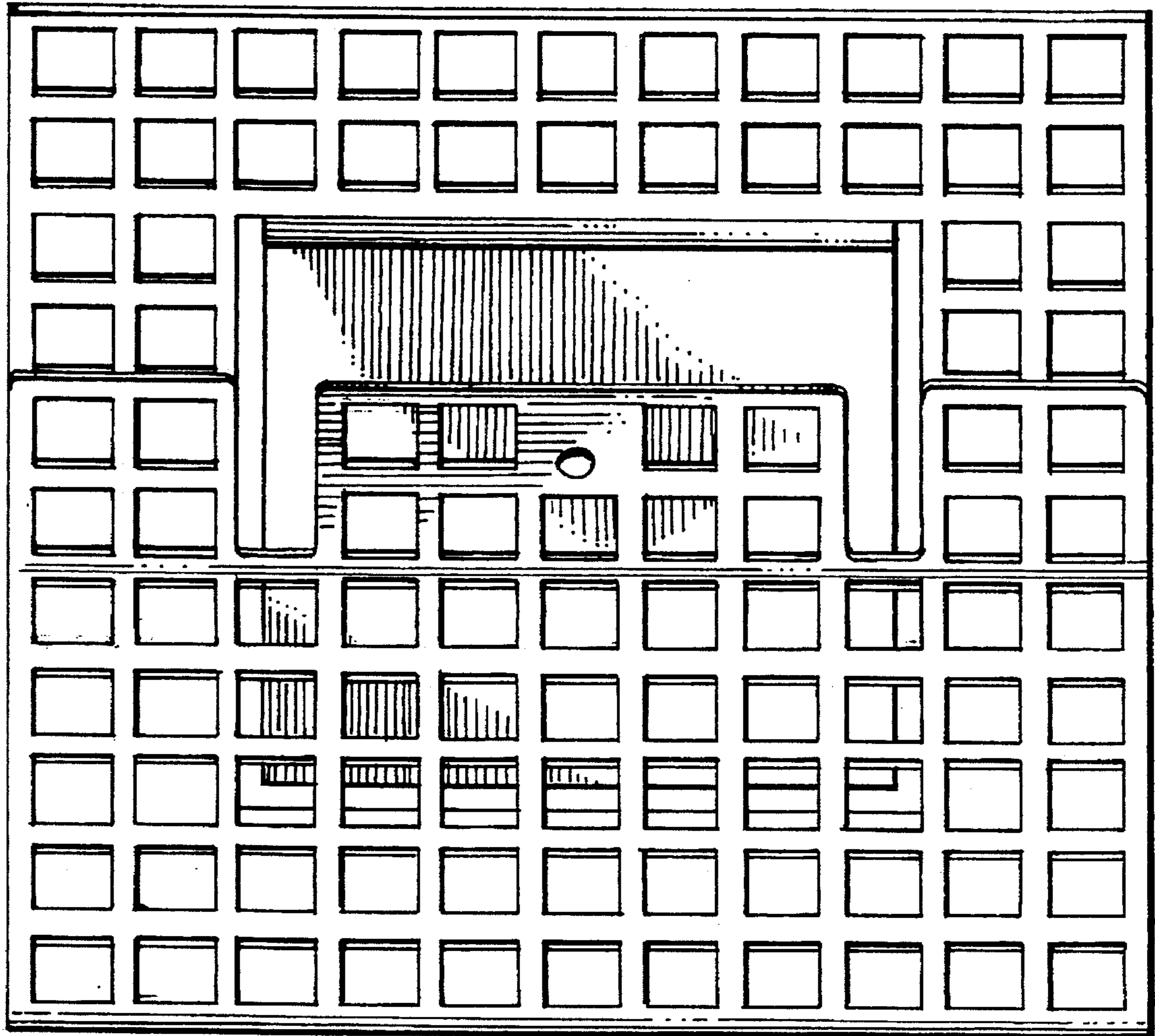


FIG. 4

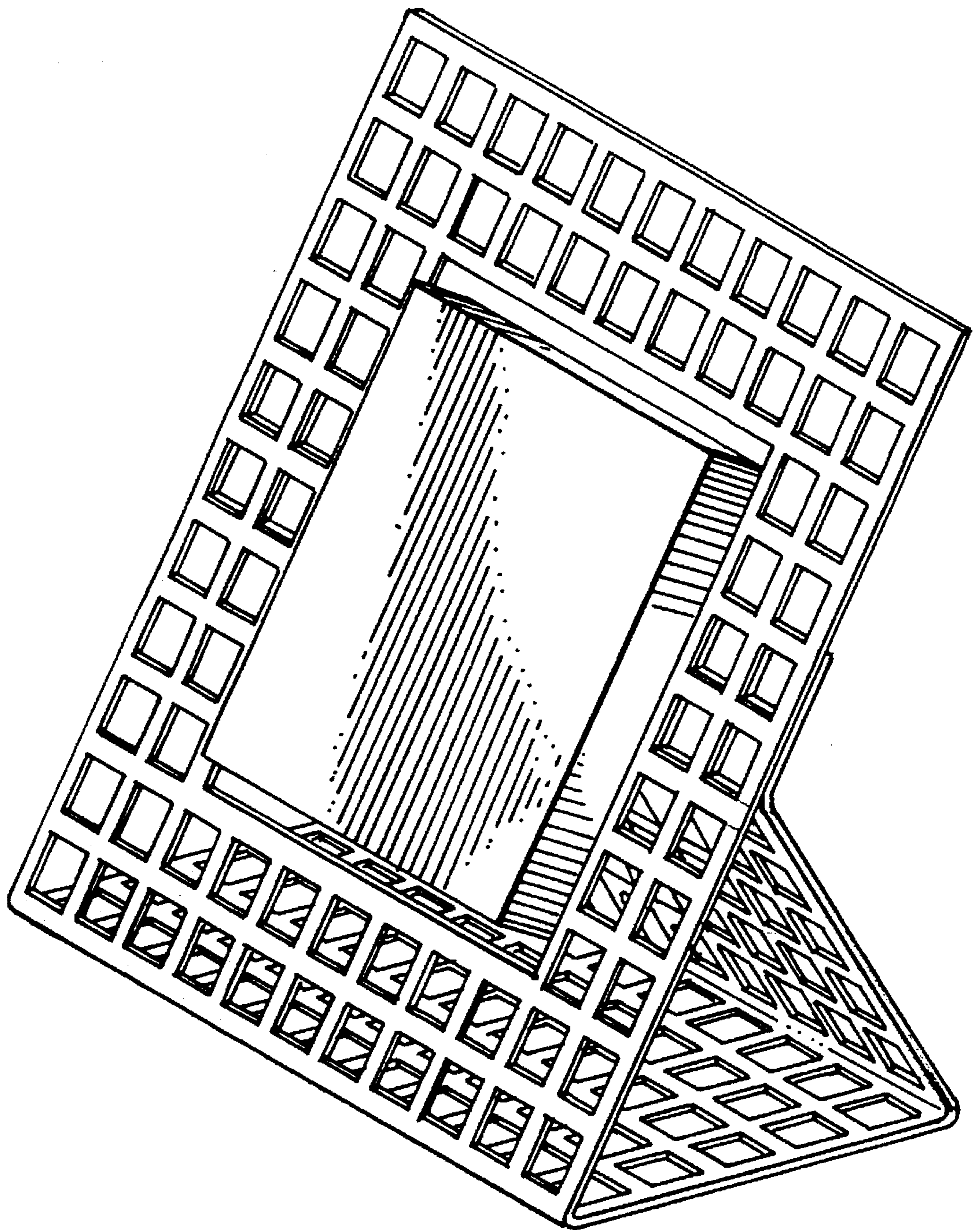


FIG. 5