



US00D368116S

United States Patent [19]

Kozo

[11] **Patent Number: Des. 368,116**

[45] **Date of Patent: **Mar. 19, 1996**

[54] **LETTER TRAY**

[75] **Inventor: Maria J. Kozo, Maryville, Tenn.**

[73] **Assignee: Rubbermaid Office Products Inc.,
Maryville, Tenn.**

[**] **Term: 14 Years**

[21] **Appl. No.: 41,353**

[22] **Filed: Jul. 12, 1995**

[52] **U.S. Cl. D19/92; D19/86; D19/95**

[58] **Field of Search D19/65, 75, 78,
D19/86, 92, 95, 99, 100; 206/215, 505-511,
555; 211/10, 11, 45, 50, 55, 126**

[56] **References Cited**

U.S. PATENT DOCUMENTS

D. 179,276	11/1956	Abrahamson	D19/92
D. 240,820	8/1976	Beil et al.	D19/92
D. 249,048	8/1978	Drell et al.	D19/92
D. 309,918	8/1990	Evenson	D19/86 X
D. 311,931	11/1990	Evenson	D19/95 X

D. 334,412	3/1993	Feer	D19/92
D. 334,593	4/1993	Evenson	D19/75 X
2,901,120	8/1959	Abrahamson	211/126
4,253,402	3/1981	Carrig et al.	211/126 X

Primary Examiner—Martie Thompson
Attorney, Agent, or Firm—Richard B. O’Planick; Lisa B. Riedesel

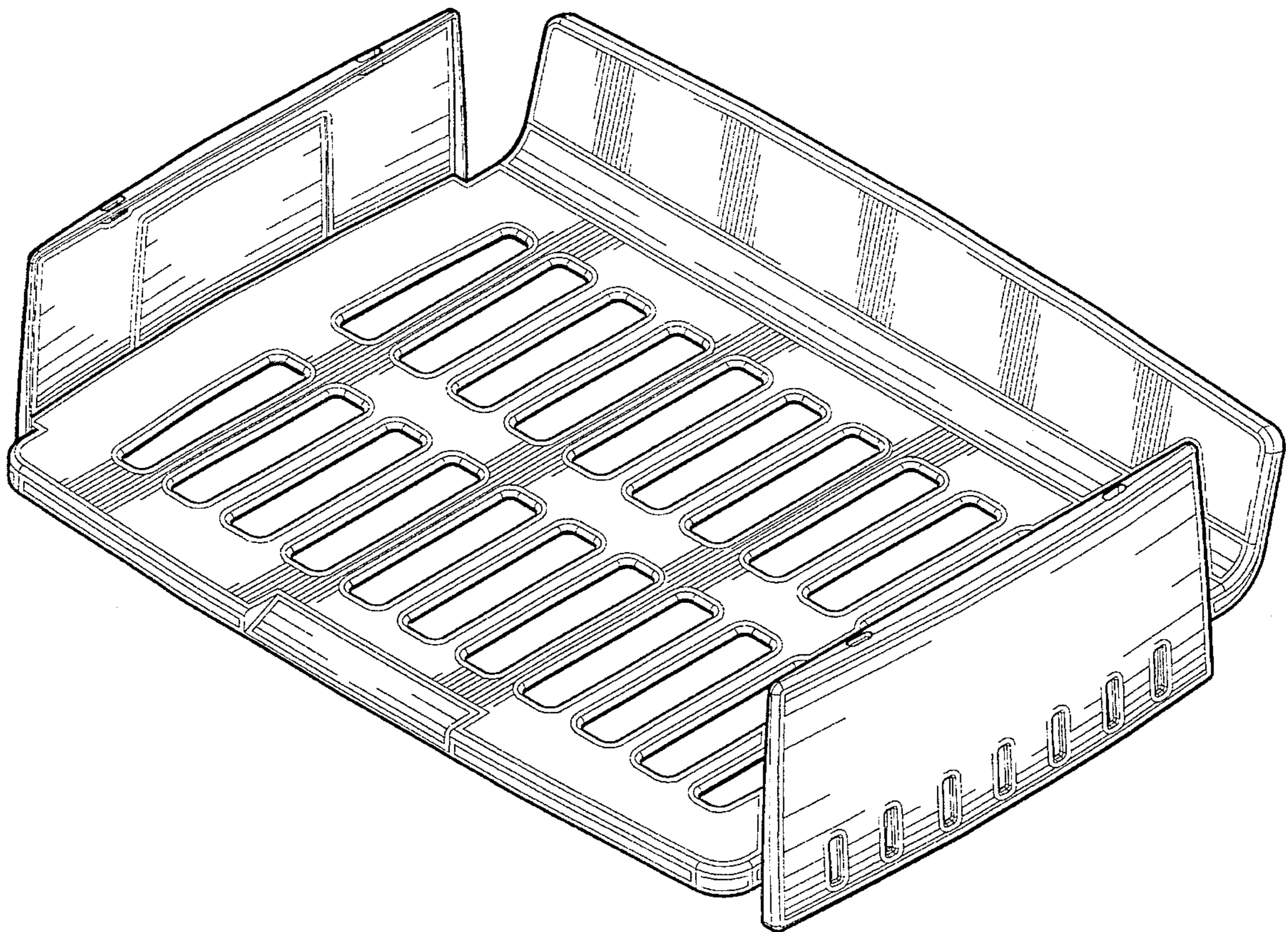
[57] **CLAIM**

The ornamental design for a letter tray, as shown and described.

DESCRIPTION

FIG. 1 is a top right front perspective view of a letter tray showing my new design;
FIG. 2 is a right side elevational view thereof, the left side elevational view being a mirror image;
FIG. 3 is a top plan view thereof;
FIG. 4 is a rear elevational view thereof;
FIG. 5 is a front elevational view thereof; and,
FIG. 6 is a bottom plan view thereof.

1 Claim, 5 Drawing Sheets



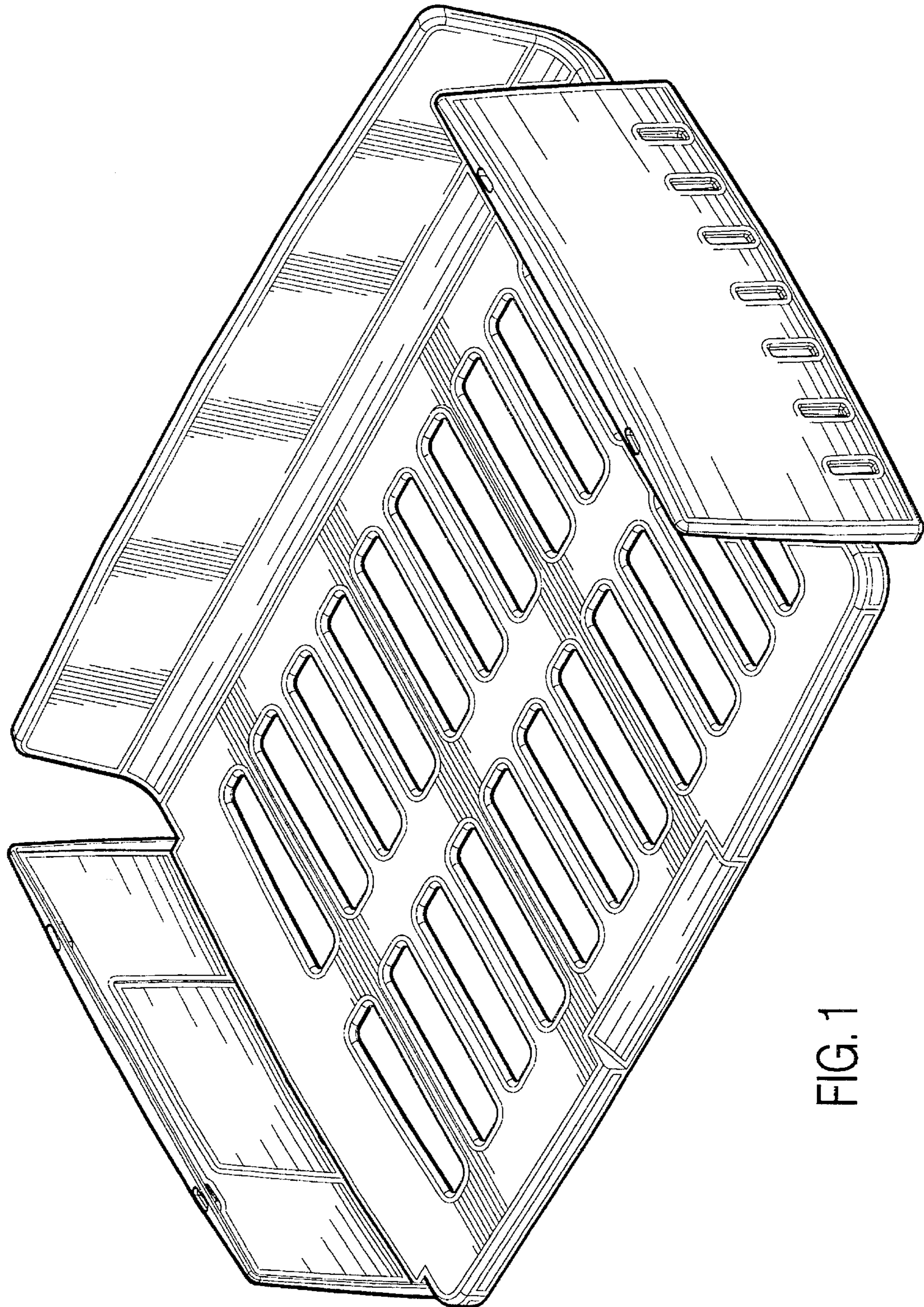


FIG. 1

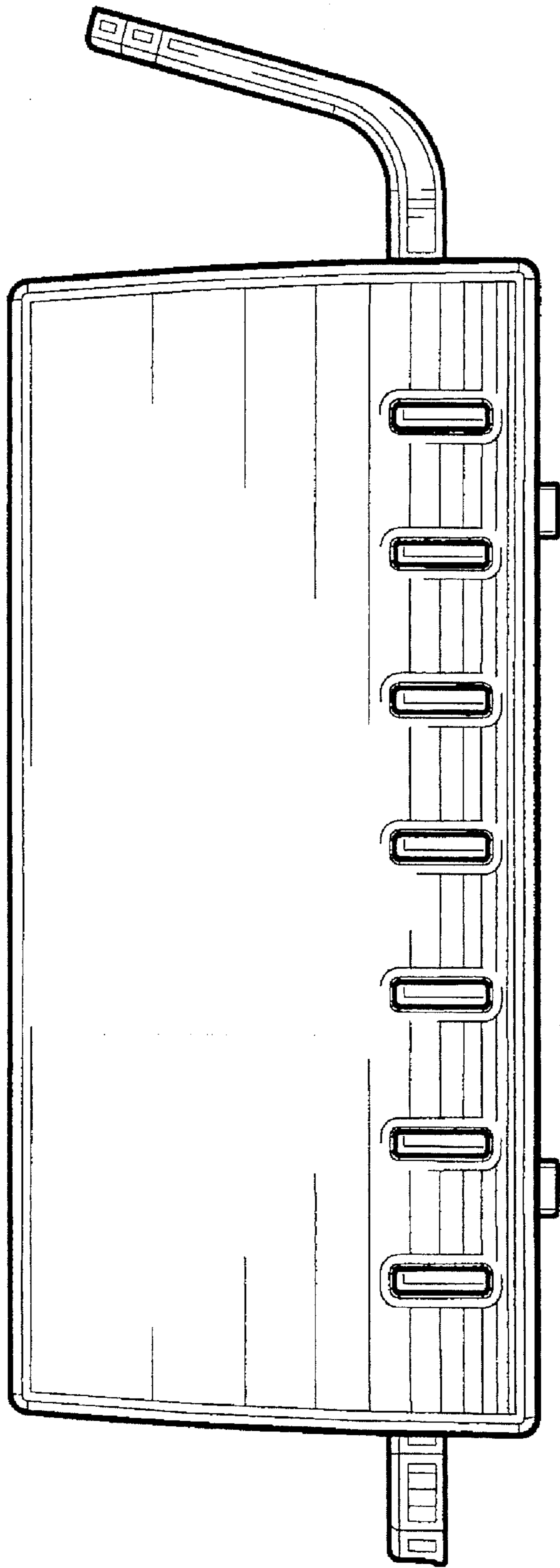


FIG. 2

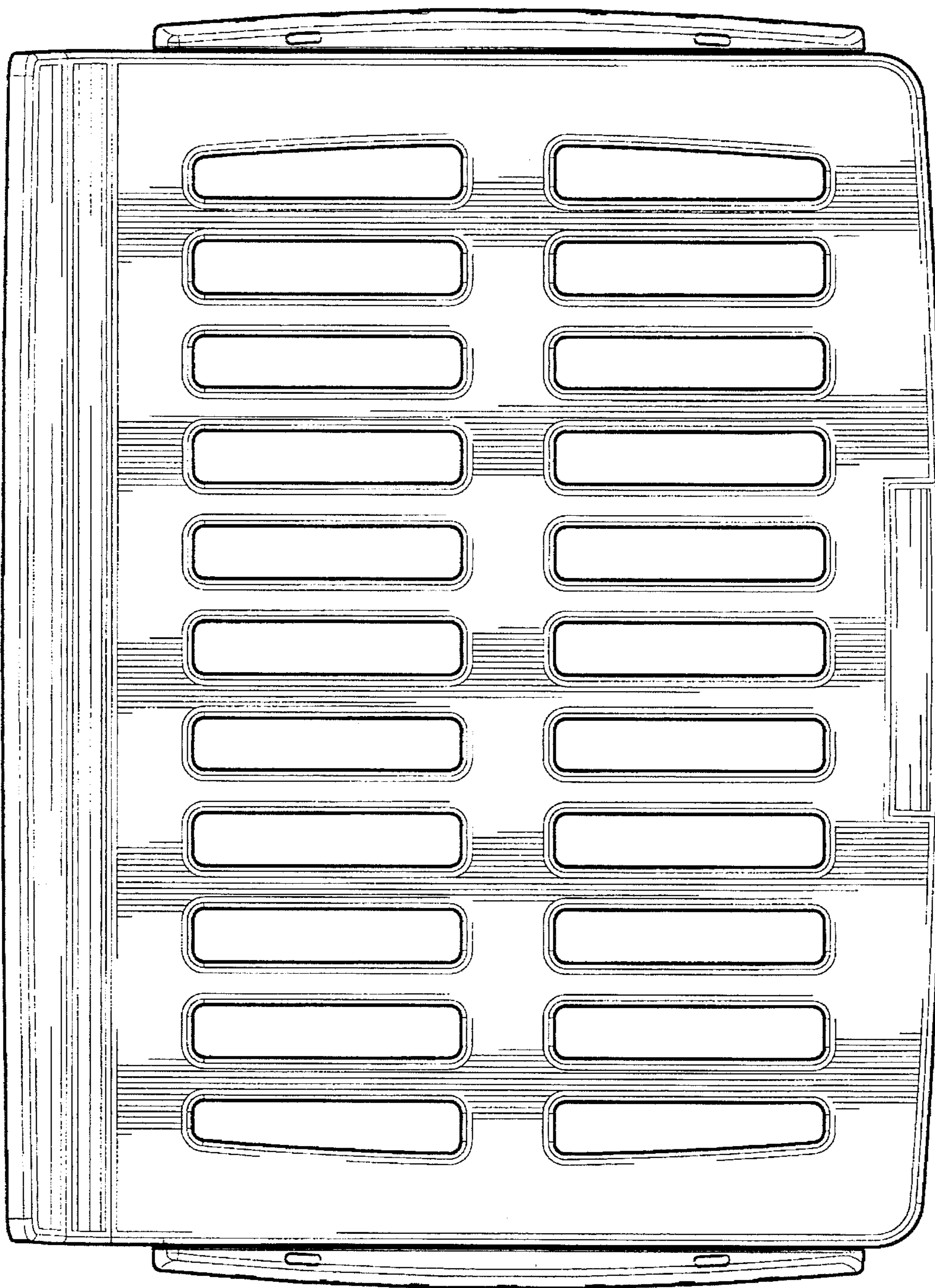


FIG. 3

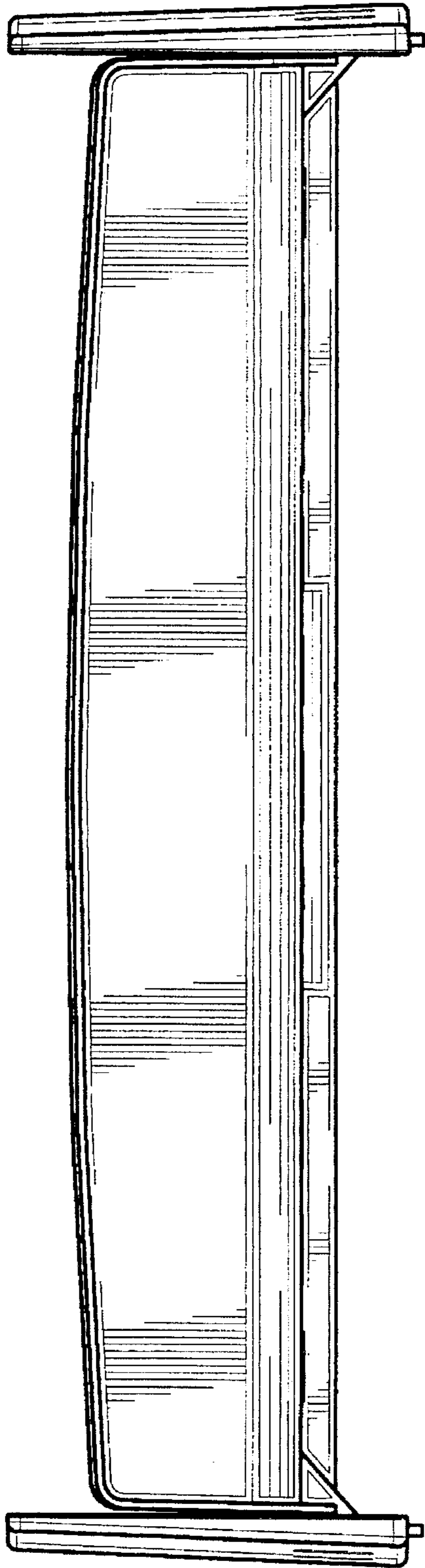


FIG. 4

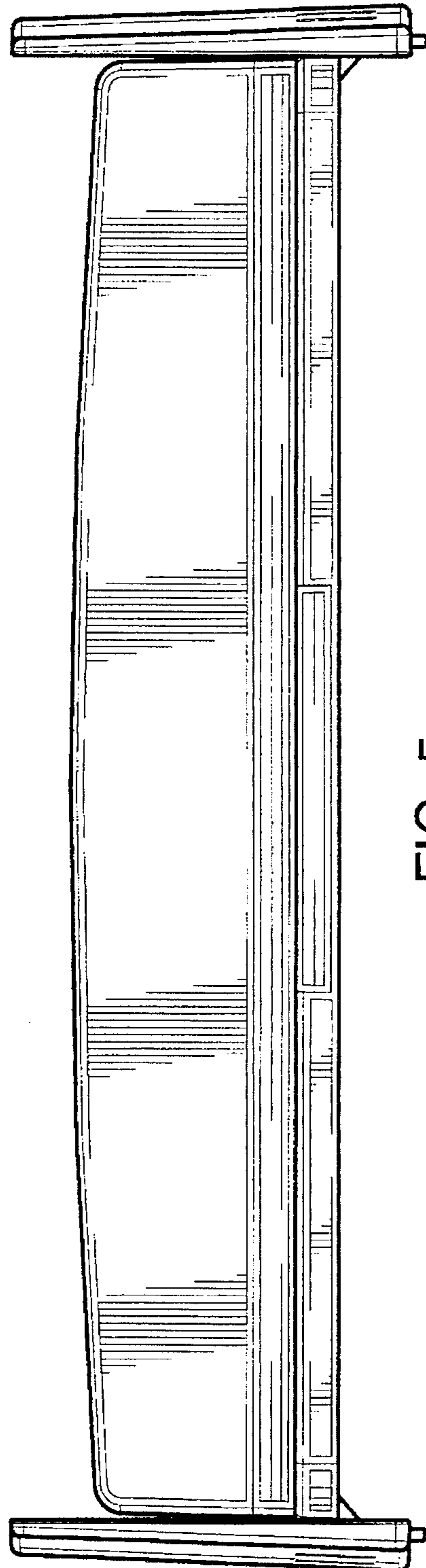


FIG. 5

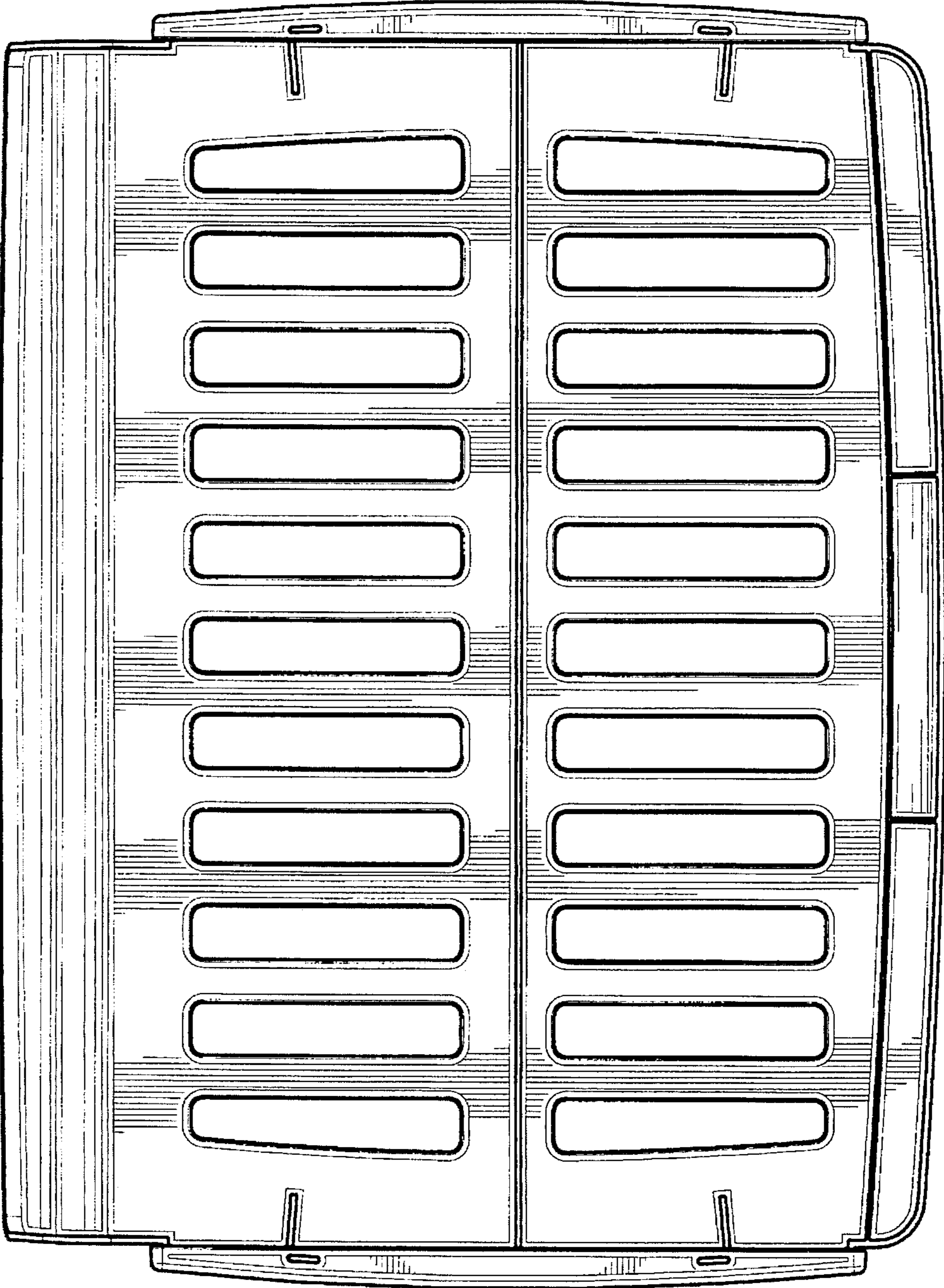


FIG. 6