



US00D368112S

**United States Patent** [19]  
**Komaki**

[11] **Patent Number: Des. 368,112**

[45] **Date of Patent: \*\*Mar. 19, 1996**

[54] **DEVELOPING UNIT FOR A  
REPROGRAPHIC APPARATUS**

[75] Inventor: **Susumu Komaki**, Kobe, Japan

[73] Assignee: **Mita Industrial Co., Ltd.**, Osaka,  
Japan

[\*\*] Term: **14 Years**

[21] Appl. No.: **25,677**

[22] Filed: **Jul. 8, 1994**

[30] **Foreign Application Priority Data**

Jan. 14, 1994 [JP] Japan ..... 6-422

[52] **U.S. Cl.** ..... **D18/43; D18/40**

[58] **Field of Search** ..... **D18/36, 40, 43;  
355/200, 245, 260**

[56] **References Cited**

**U.S. PATENT DOCUMENTS**

4,839,691 6/1989 Tagawa et al. .... 355/260  
4,878,091 10/1989 Morita et al. .... 355/260  
4,949,399 8/1990 Williams et al. .... D18/43 X

*Primary Examiner*—Alan P. Douglas  
*Assistant Examiner*—Caron D. Veynar  
*Attorney, Agent, or Firm*—Spencer, Frank & Schneider

[57] **CLAIM**

The ornamental design for a developing unit for a reprographic apparatus, as shown.

**DESCRIPTION**

FIG. 1 is a top plan view of a developing unit for a reprographic apparatus;  
FIG. 2 is a front elevational view of a developing unit for a reprographic apparatus;  
FIG. 3 is a right side elevational view of a developing unit for a reprographic apparatus;  
FIG. 4 is a bottom plan view of a developing unit for a reprographic apparatus;  
FIG. 5 is a rear elevational view of a developing unit for a reprographic apparatus;  
FIG. 6 is a left side elevational view of a developing unit for a reprographic apparatus; and,  
FIG. 7 is a top, front and right side perspective view of a developing unit for a reprographic apparatus.

**1 Claim, 3 Drawing Sheets**

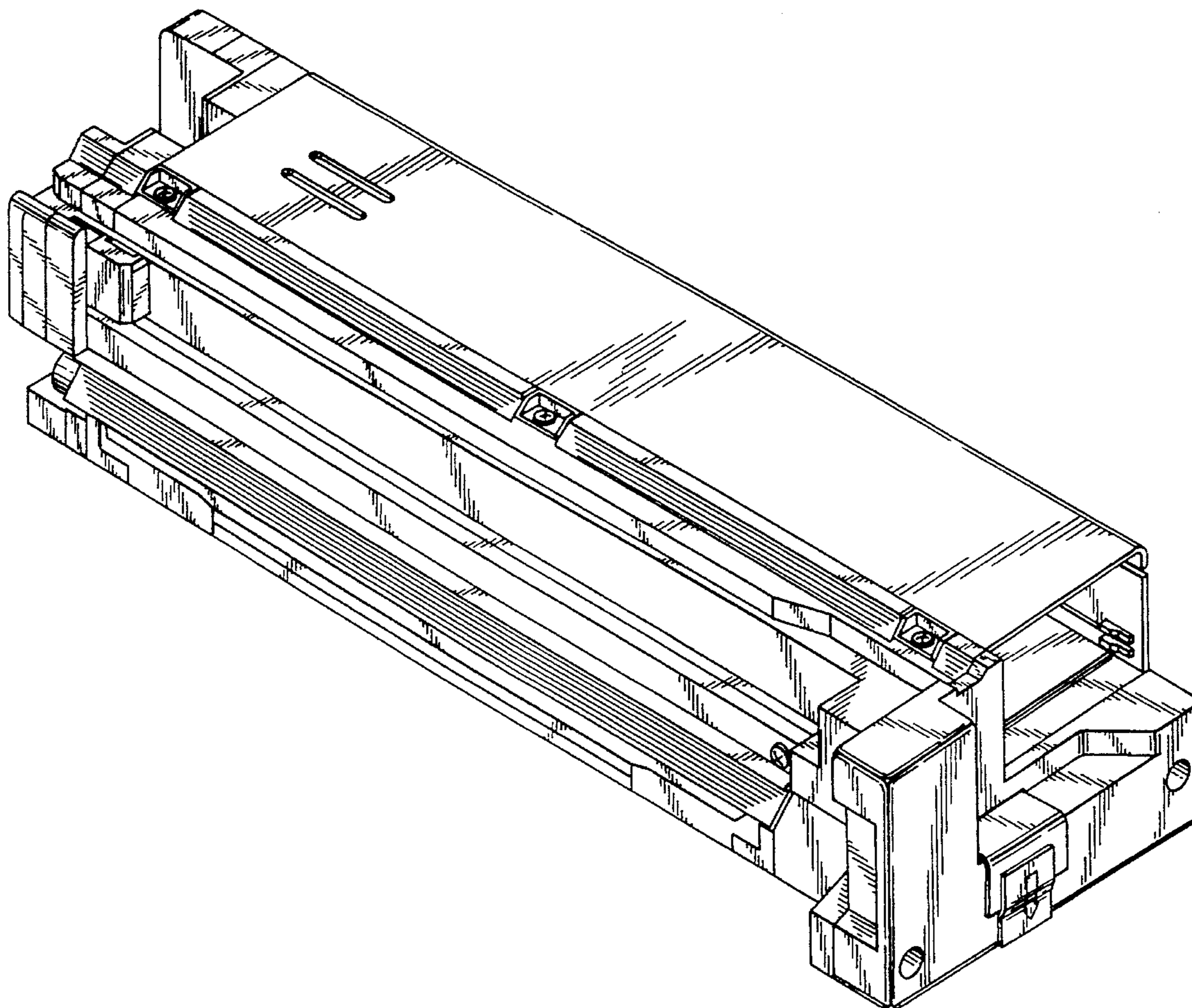


FIG. 1

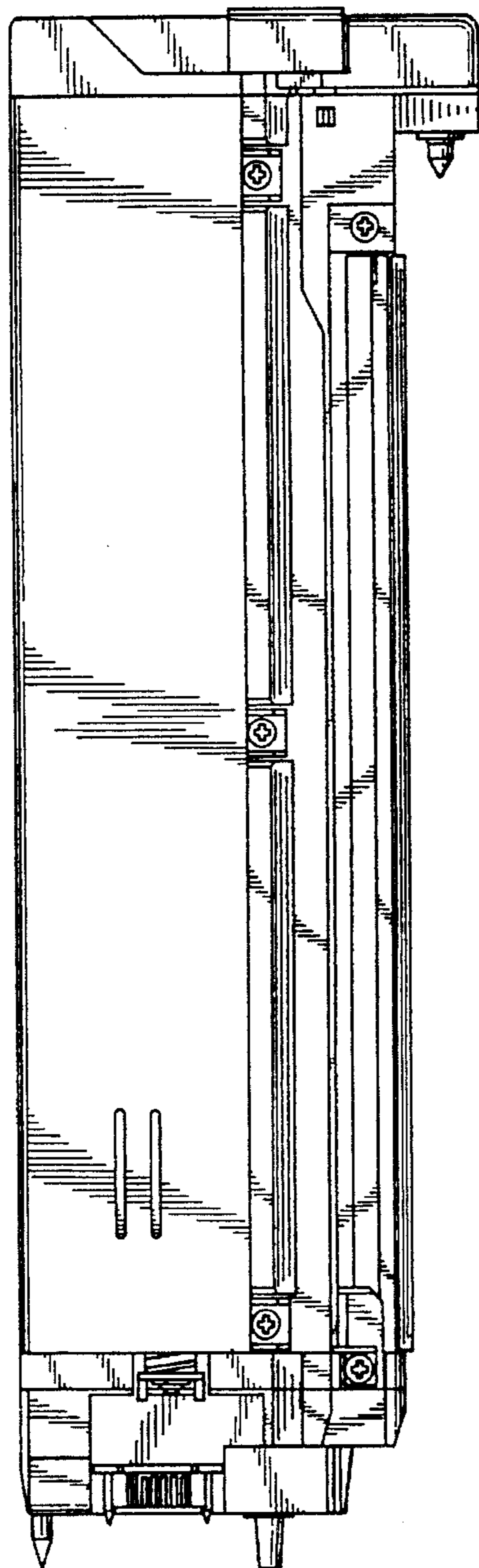


FIG. 2

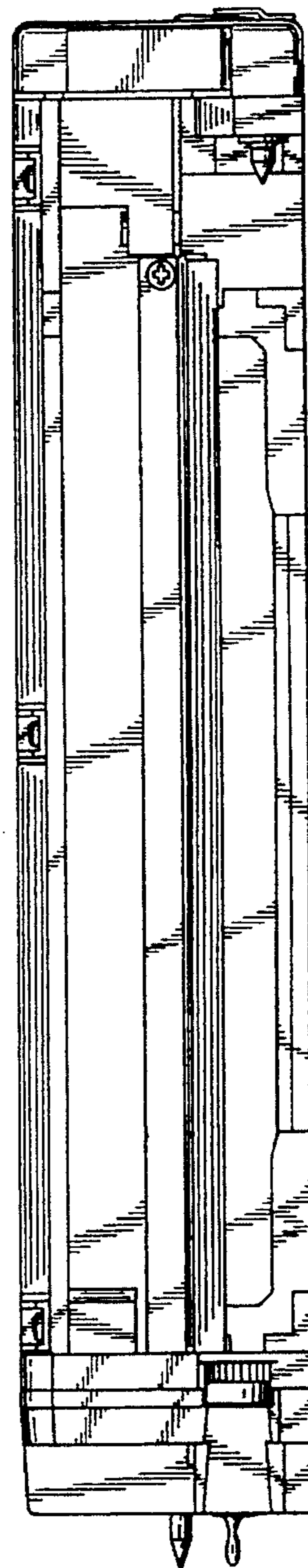
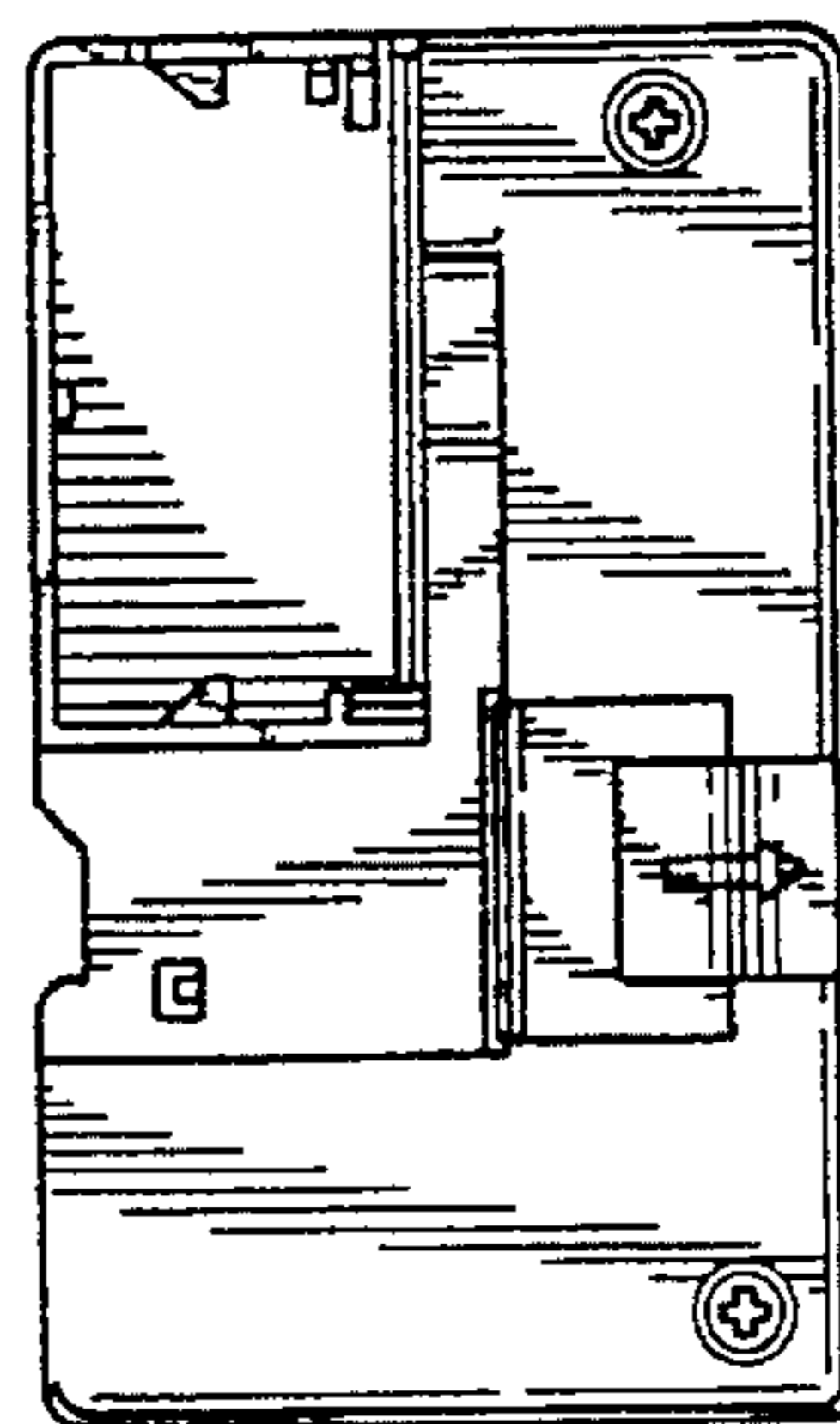
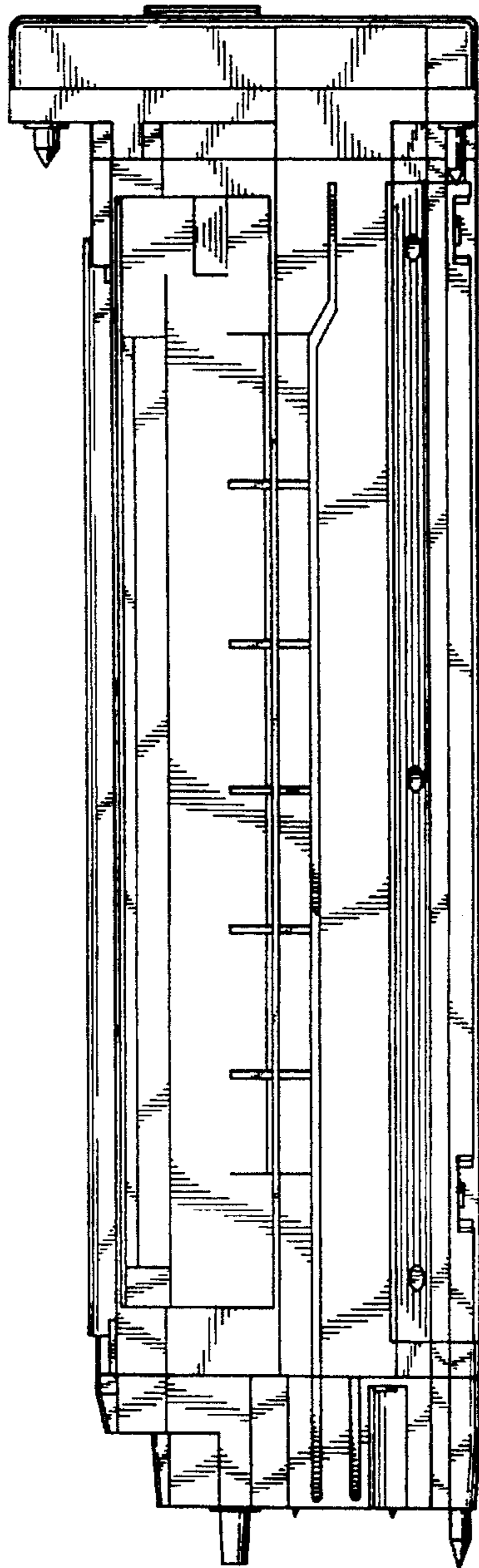


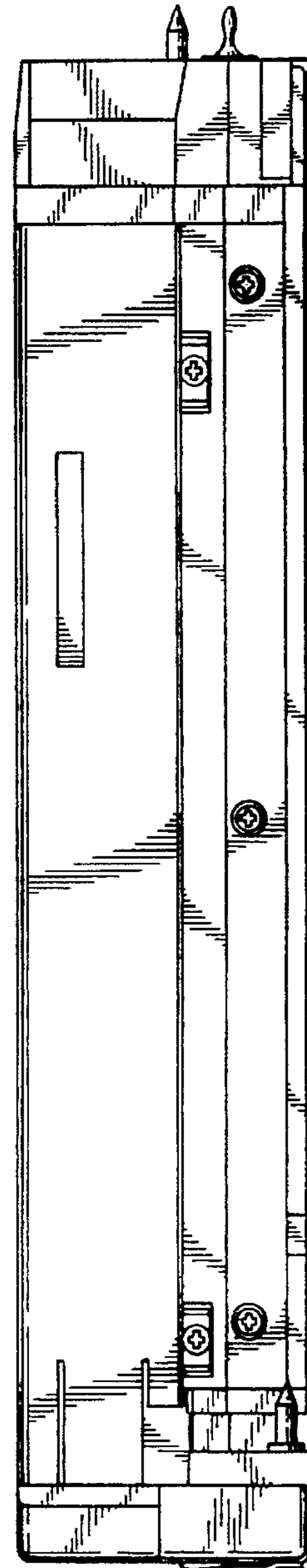
FIG. 3



*FIG. 4*



*FIG. 5*



*FIG. 6*

