



US00D368105S

United States Patent [19]

[11] Patent Number: **Des. 368,105**

Takahashi et al.

[45] Date of Patent: ****Mar. 19, 1996**

[54] VIDEO CAMERA WITH VIDEO TAPE RECORDER

876224 8/1993 Japan .
892961 3/1994 Japan .

[75] Inventors: **Yoichi Takahashi**, Kyoto; **Mitsuo Takanaga**, Nara; **Kiyoshi Suzuki**, Osaka, all of Japan

OTHER PUBLICATIONS

Skin Diver, Jan. 1988 p. 53 (Aqua Vision Video Camera).
Video Magazine, Jul. 1992 p. 64 (Canon's L1).

[73] Assignee: **Matsushita Electric Industrial Co. Ltd.**, Osaka, Japan

Primary Examiner—Ted Shooman
Assistant Examiner—Adir Aronovich
Attorney, Agent, or Firm—Sughrue, Mion, Zinn, Macpeak & Seas

[**] Term: **14 Years**

[21] Appl. No.: **35,867**

[57] CLAIM

[22] Filed: **Mar. 8, 1995**

The ornamental design for a video camera with video tape recorder, as shown and described.

[30] Foreign Application Priority Data

DESCRIPTION

Sep. 8, 1994 [JP] Japan 6-27522

[52] U.S. Cl. **D16/202**; D16/204

[58] Field of Search D16/200-205,
D16/208; 352/34, 242; 348/143, 373-376;
354/82, 288, 64; H04N 5/225

FIG. 1 is a perspective view of the top, front and right side of a video camera with video tape recorder showing our new design;

[56] References Cited

FIG. 2 is a front elevational view thereof;

U.S. PATENT DOCUMENTS

- D. 310,231 8/1990 Imada et al. D16/202
- D. 316,556 4/1991 Reddig et al. D16/217
- D. 341,614 11/1993 Okamoto D16/200
- D. 348,683 7/1994 Park D16/202
- D. 356,327 3/1995 Mouri D16/204

FIG. 3 is a rear elevational view thereof;

FIG. 4 is a top plan view thereof;

FIG. 5 is a bottom plan view thereof;

FIG. 6 is a left side elevational view thereof;

FIG. 7 is a right side elevational view thereof; and,

FIG. 8 is a perspective view similar to FIG. 1 with the eye piece rotated 90 degrees.

FOREIGN PATENT DOCUMENTS

1-276882 11/1989 Japan H04N 5/225

1 Claim, 6 Drawing Sheets

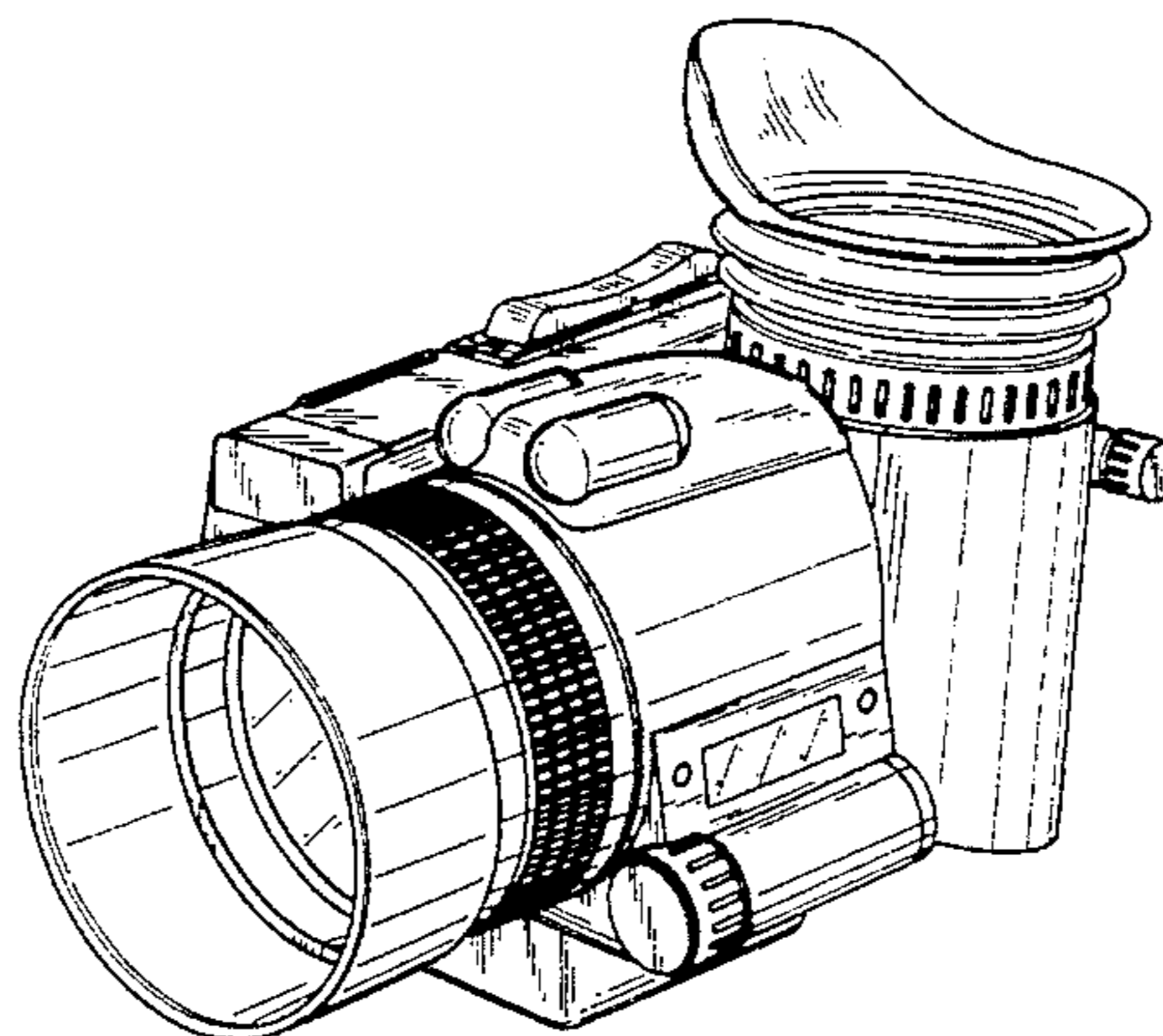
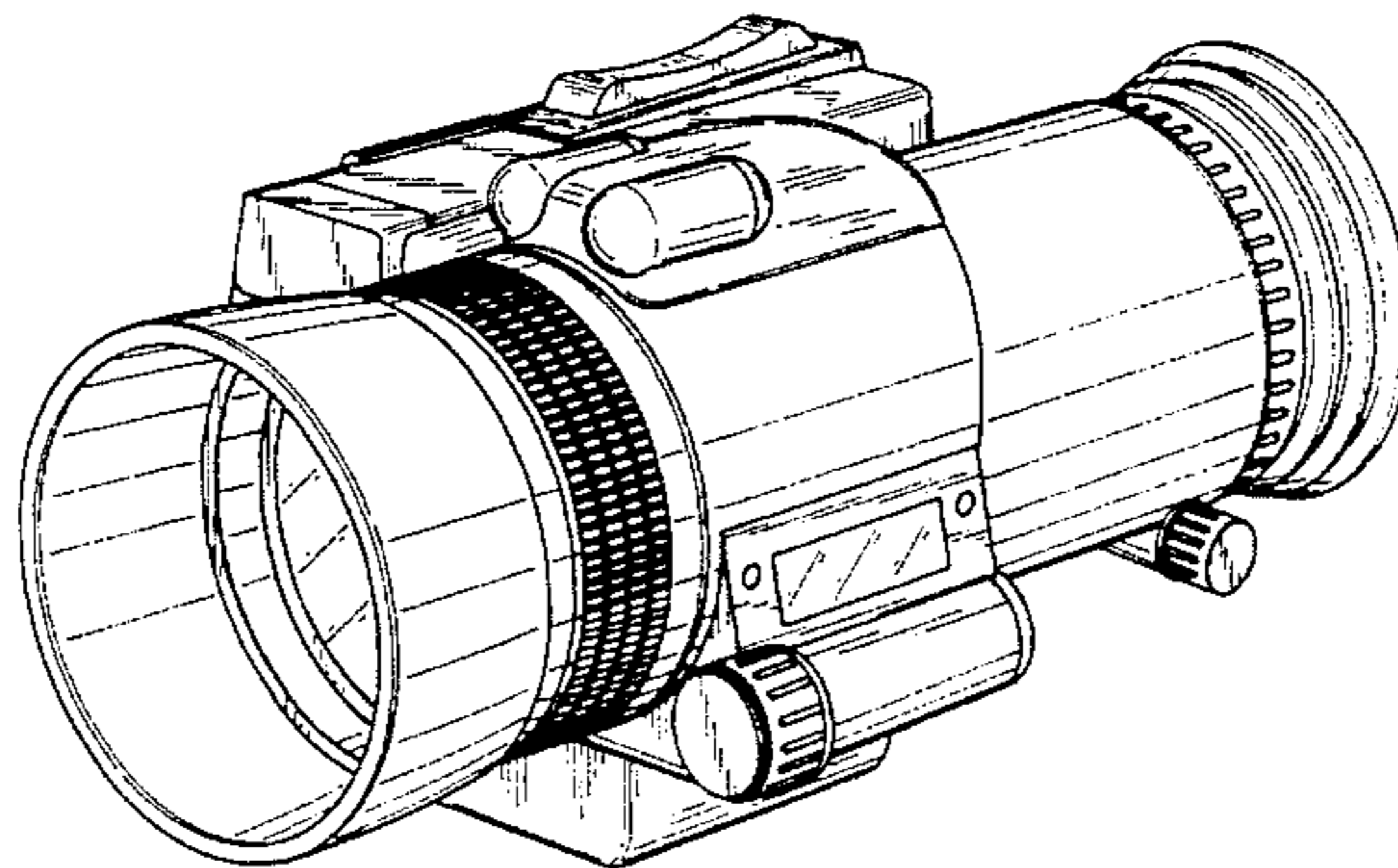


Fig. 1

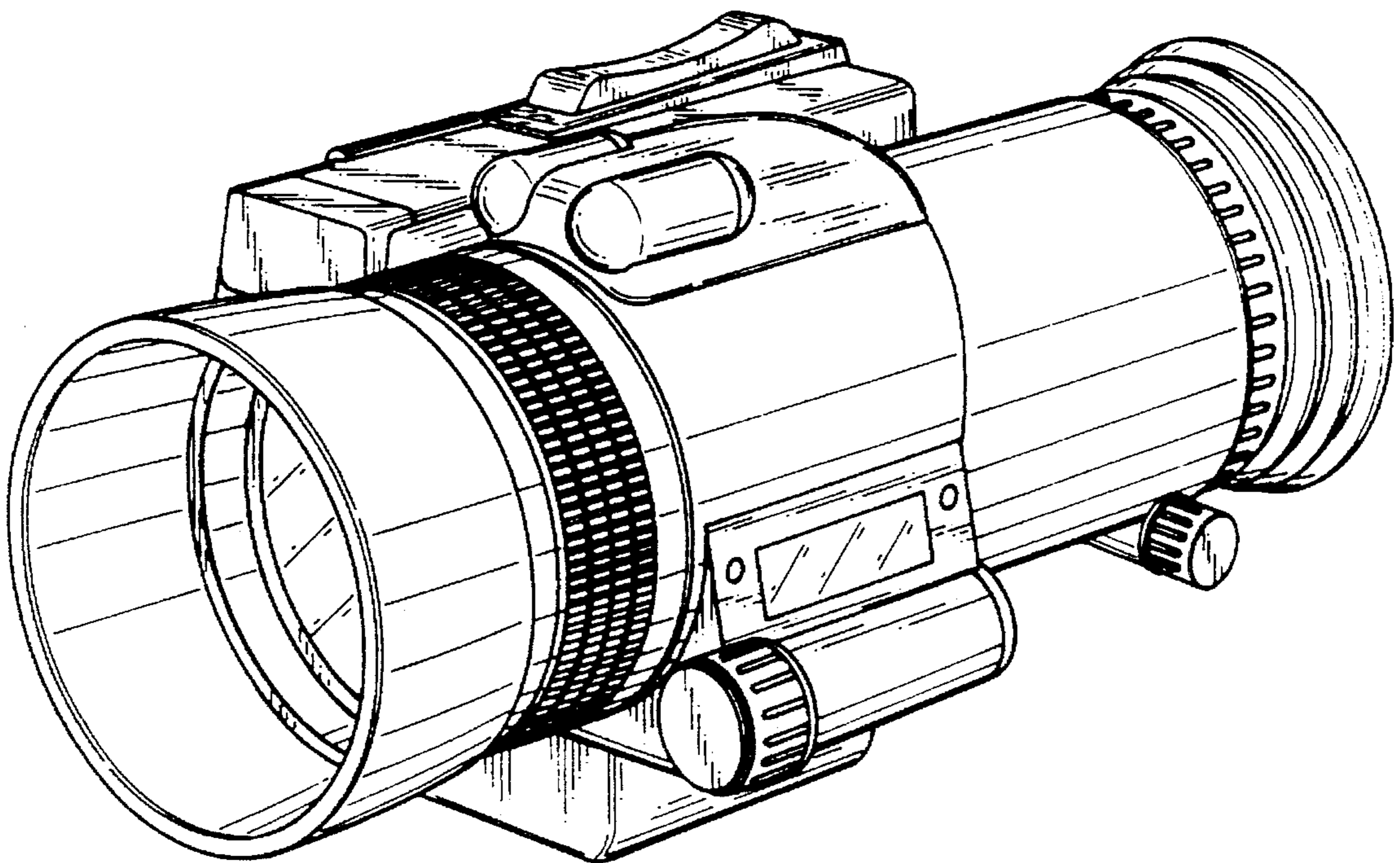


Fig. 2

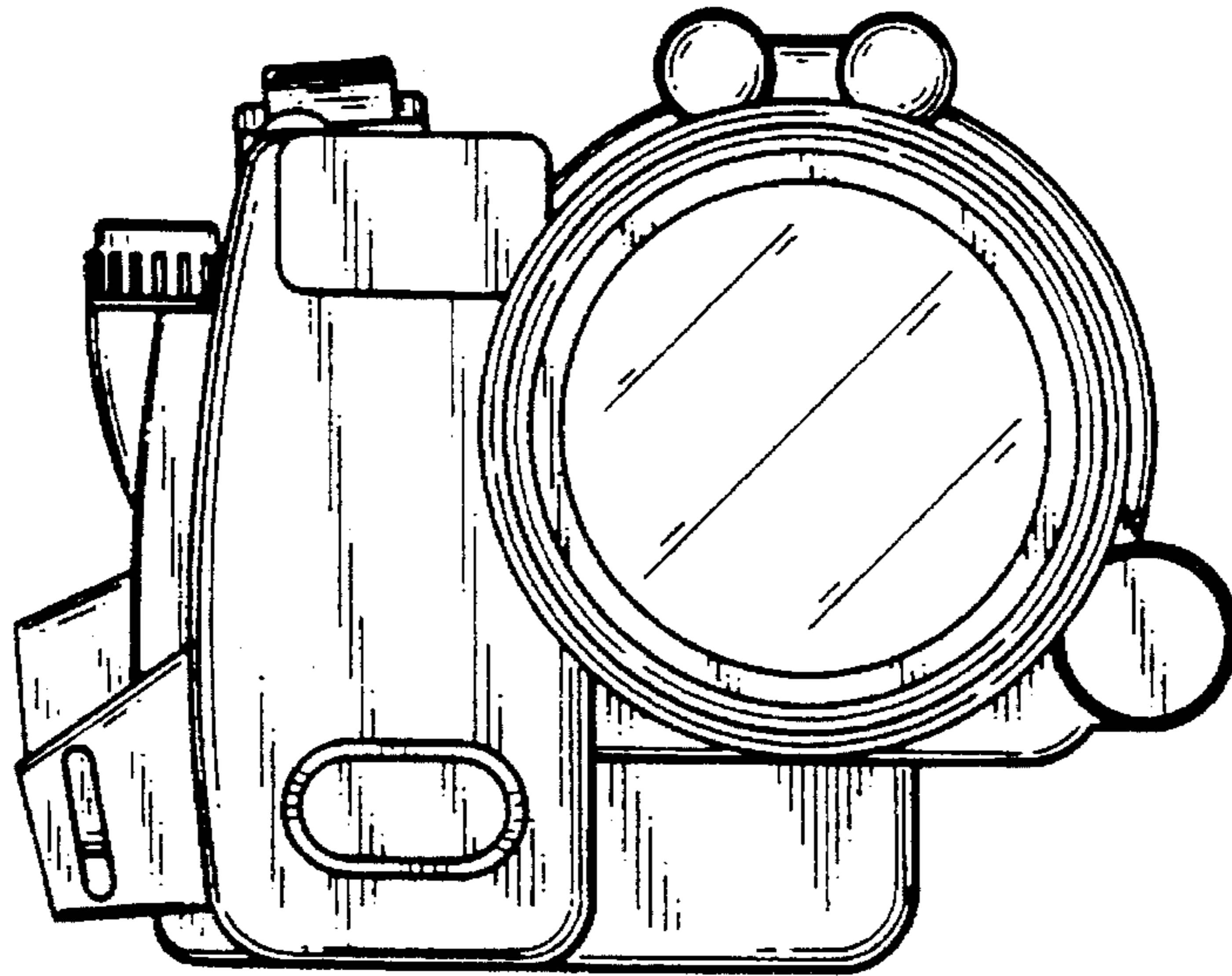


Fig. 3

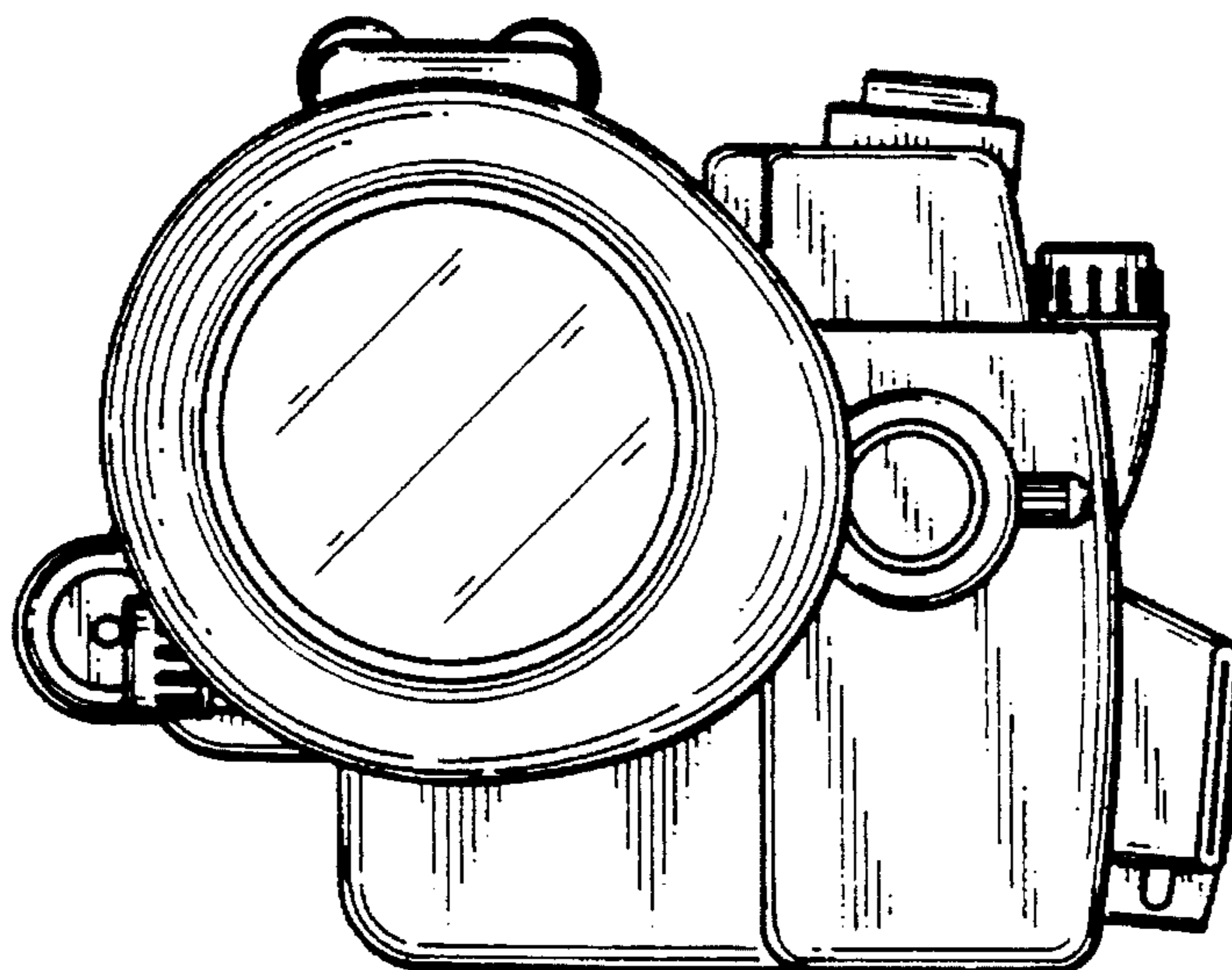


Fig. 4

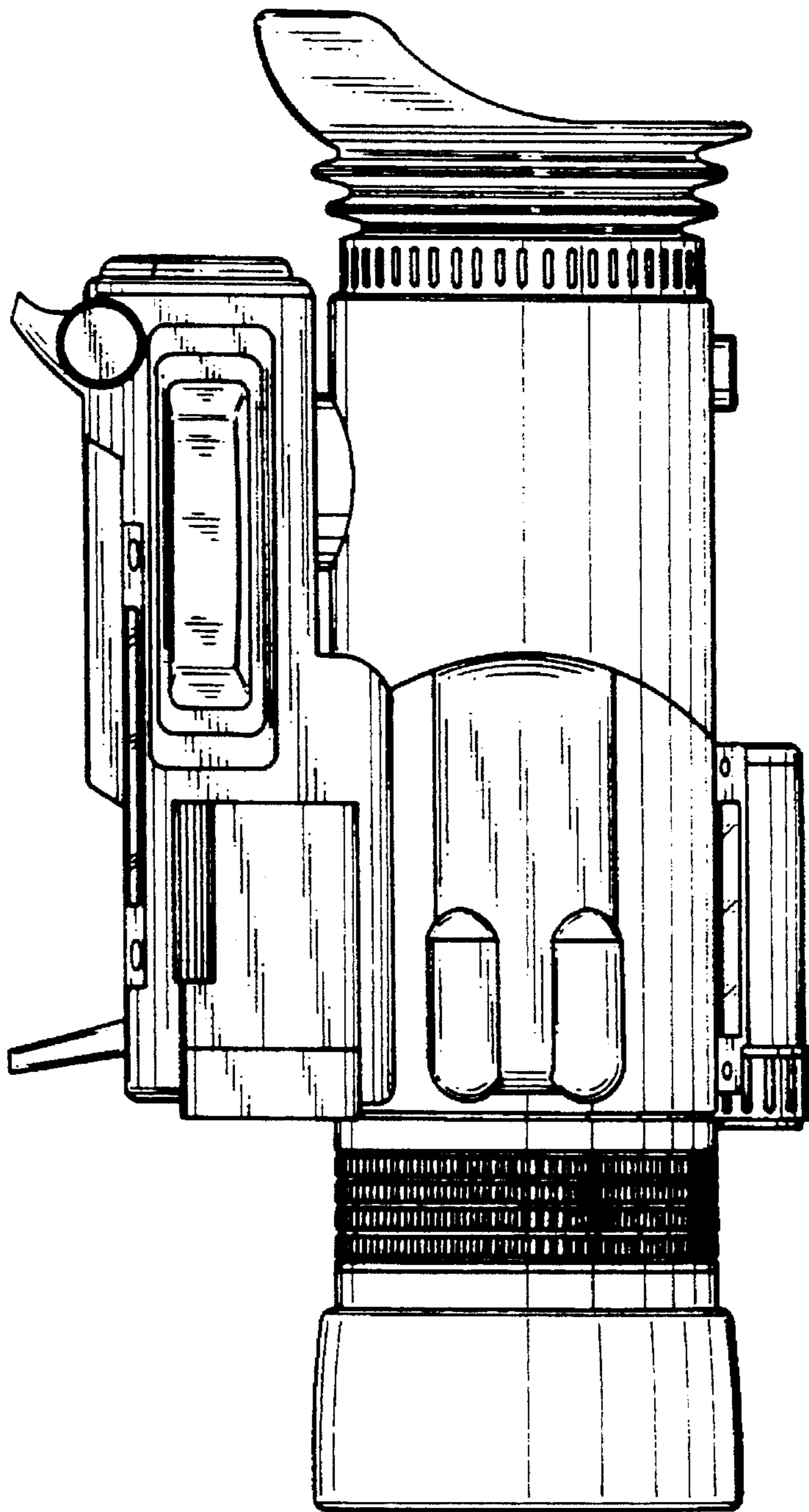


Fig. 5

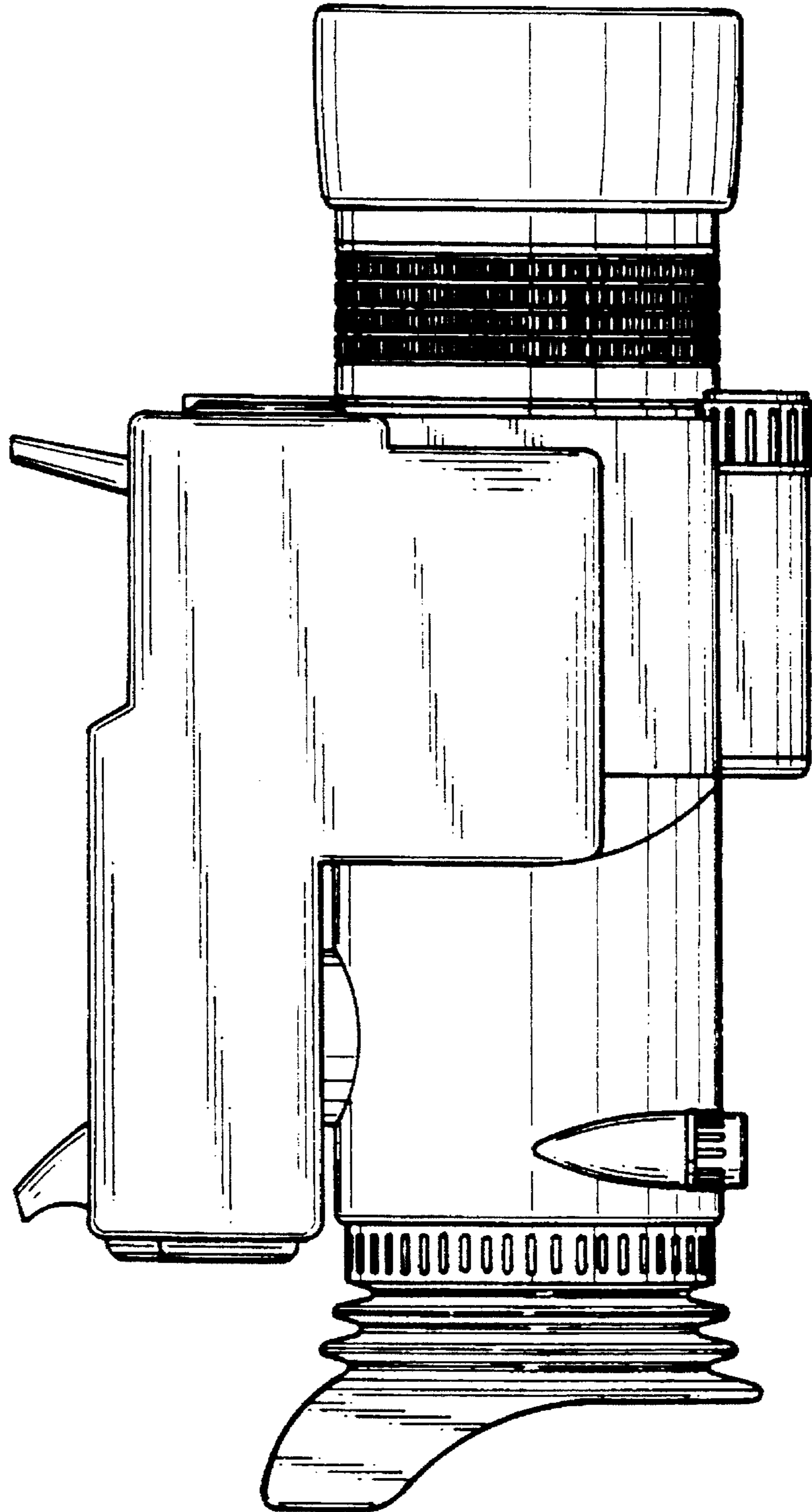


Fig. 6

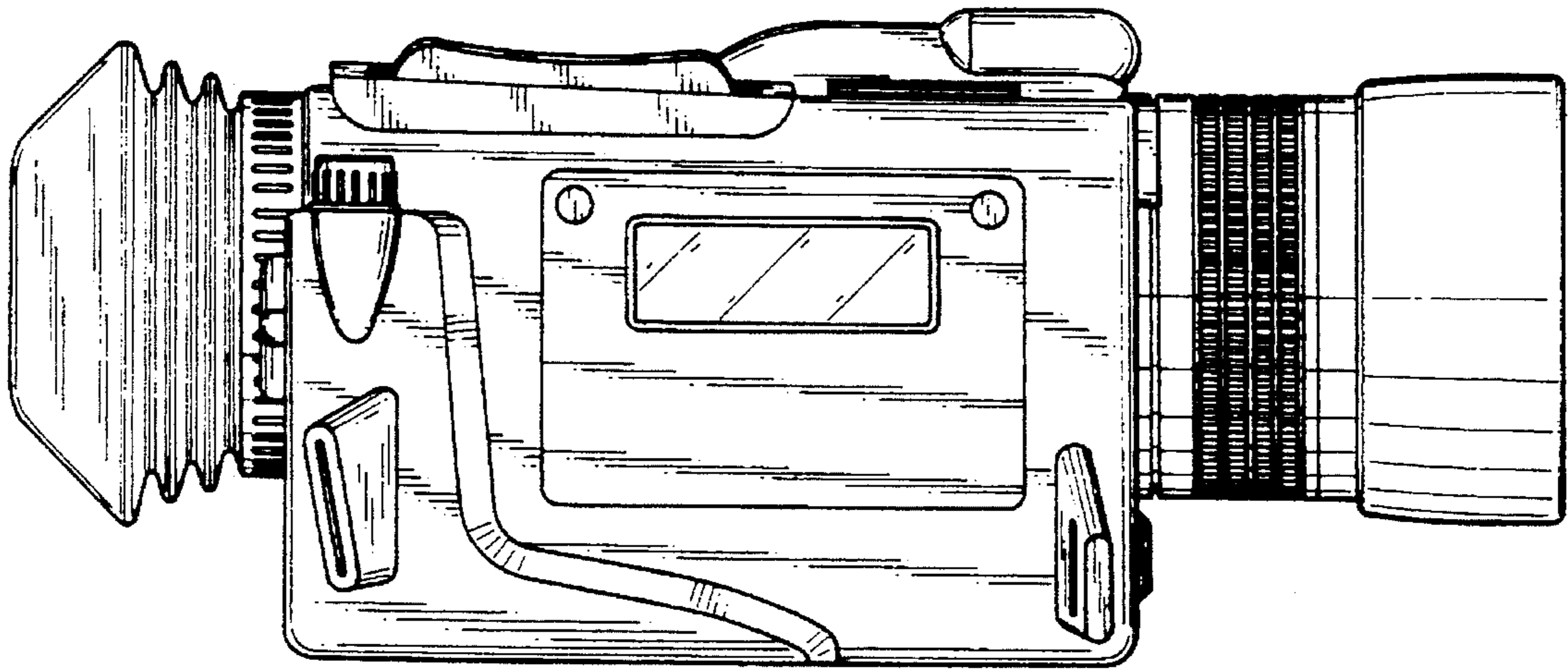


Fig. 7

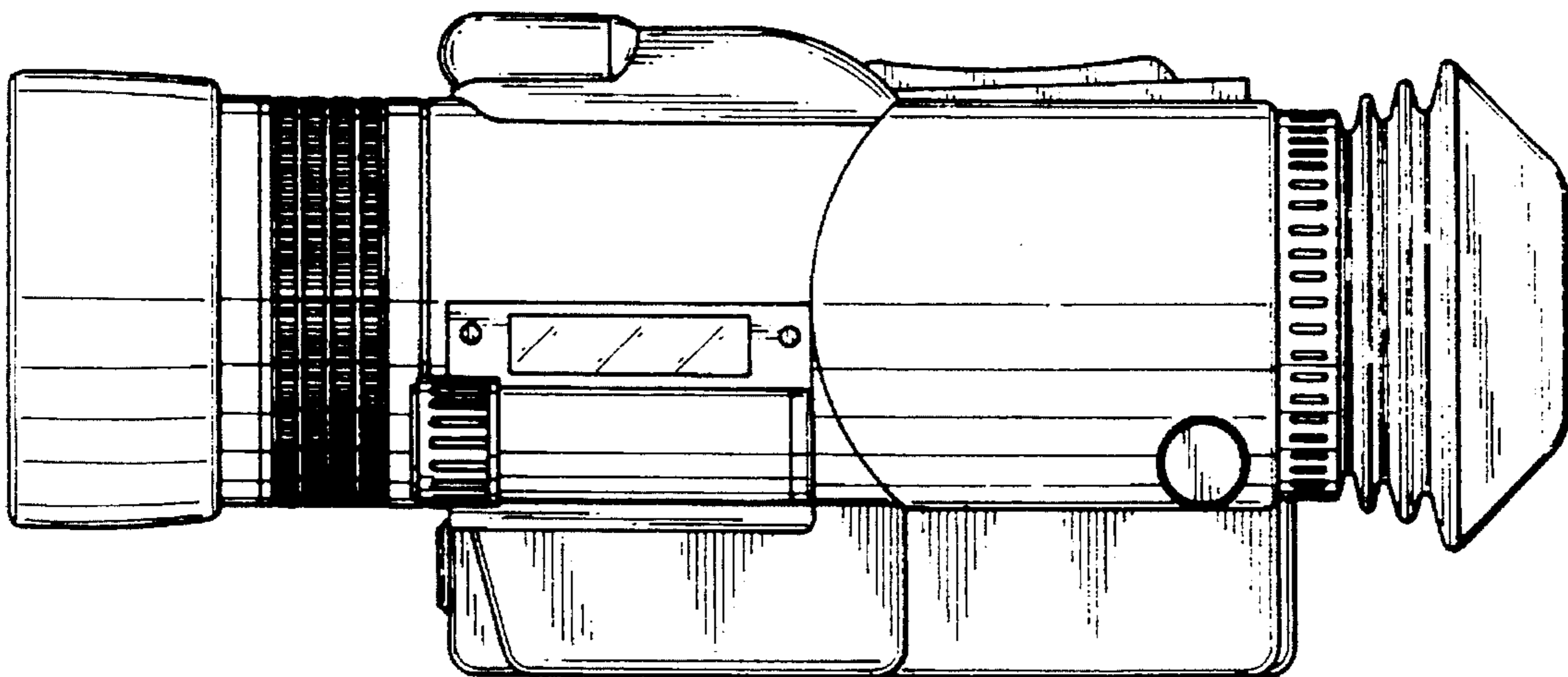


Fig. 8

