



US00D368102S

# United States Patent [19]

Bidwell et al.

[11] Patent Number: **Des. 368,102**

[45] Date of Patent: **\*\*Mar. 19, 1996**

[54] **REFRIGERATOR HAVING FRONT AND SIDE PANELS WHICH RESEMBLE A VENDING MACHINE**

4,454,670 6/1984 Bachmann et al. .... 194/350  
4,973,109 11/1990 Diedrich ..... 312/114

[75] Inventors: **Christopher C. Bidwell**, Dunwoody;  
**Stephen R. Burns**, Duluth, both of Ga.

*Primary Examiner*—Sandra L. Morris  
*Attorney, Agent, or Firm*—Troutman Sanders; Joel S. Goldman; John A. Savio, III

[73] Assignee: **Circle R Central, Inc.**, Atlanta, Ga.

[57] **CLAIM**

[\*\*] Term: **14 Years**

The ornamental design for a refrigerator having front and side panels which resemble a vending machine, as shown and described.

[21] Appl. No.: **27,234**

**DESCRIPTION**

[22] Filed: **Aug. 16, 1994**

[52] U.S. Cl. .... **D15/81; D20/5**

[58] **Field of Search** ..... D15/79, 81; D20/1,  
D20/3, 4, 5; 62/337, 444, 457.1, 457.4,  
457.9; 194/206, 350; 312/114

FIG. 1 is a top, front, right side perspective view of the refrigerator having front and side panels which resemble a vending machine, showing our new design, the broken line showing of indicia is for illustrative purposes only, and forms no part of the claimed design;

FIG. 2 is a reduced front elevational view thereof;

FIG. 3 is a reduced right side elevational view thereof;

FIG. 4 is a reduced rear elevational view thereof;

FIG. 5 is a reduced left side elevational view thereof;

FIG. 6 is a reduced top plan view thereof; and,

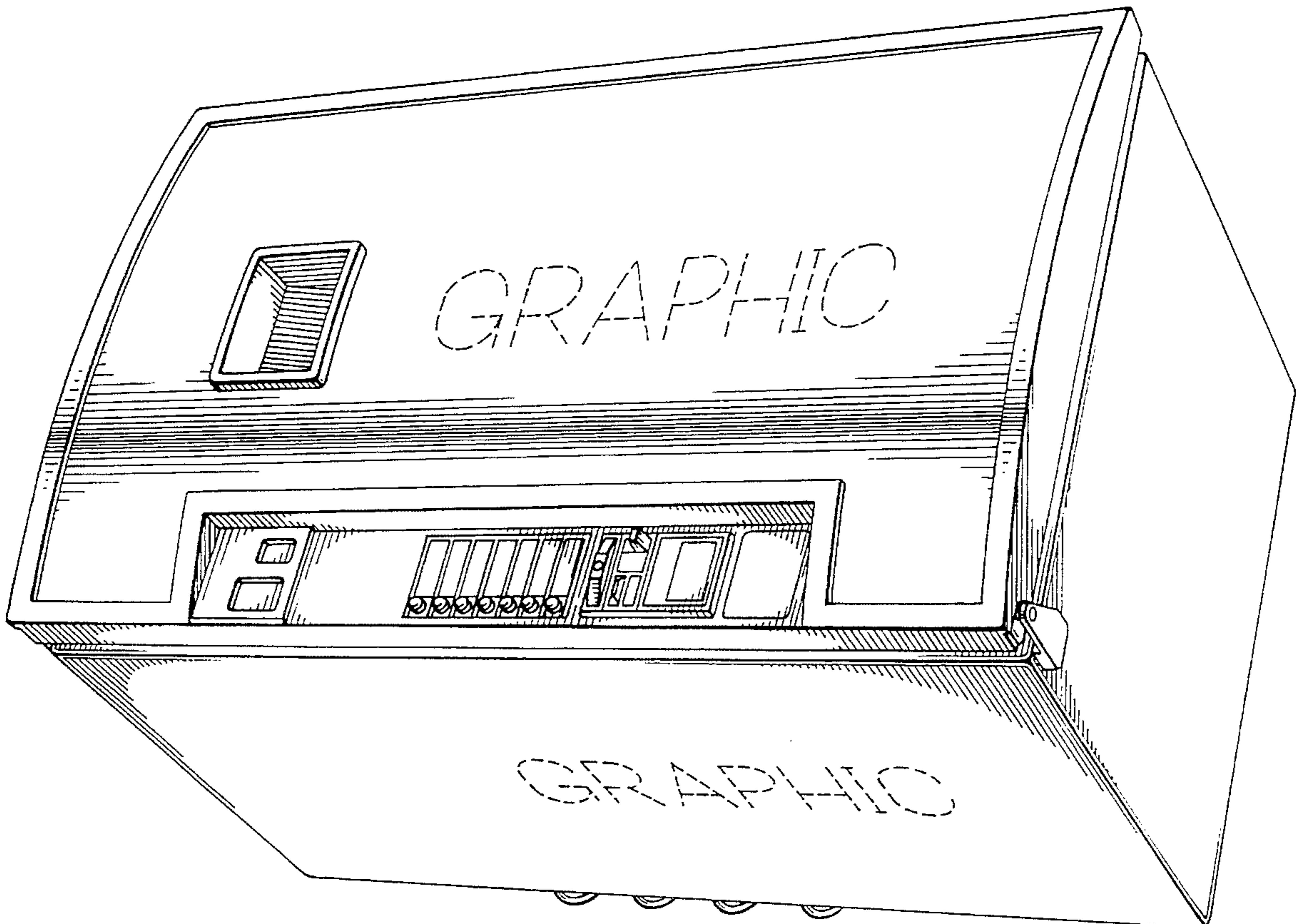
FIG. 7 is a reduced bottom plan view thereof.

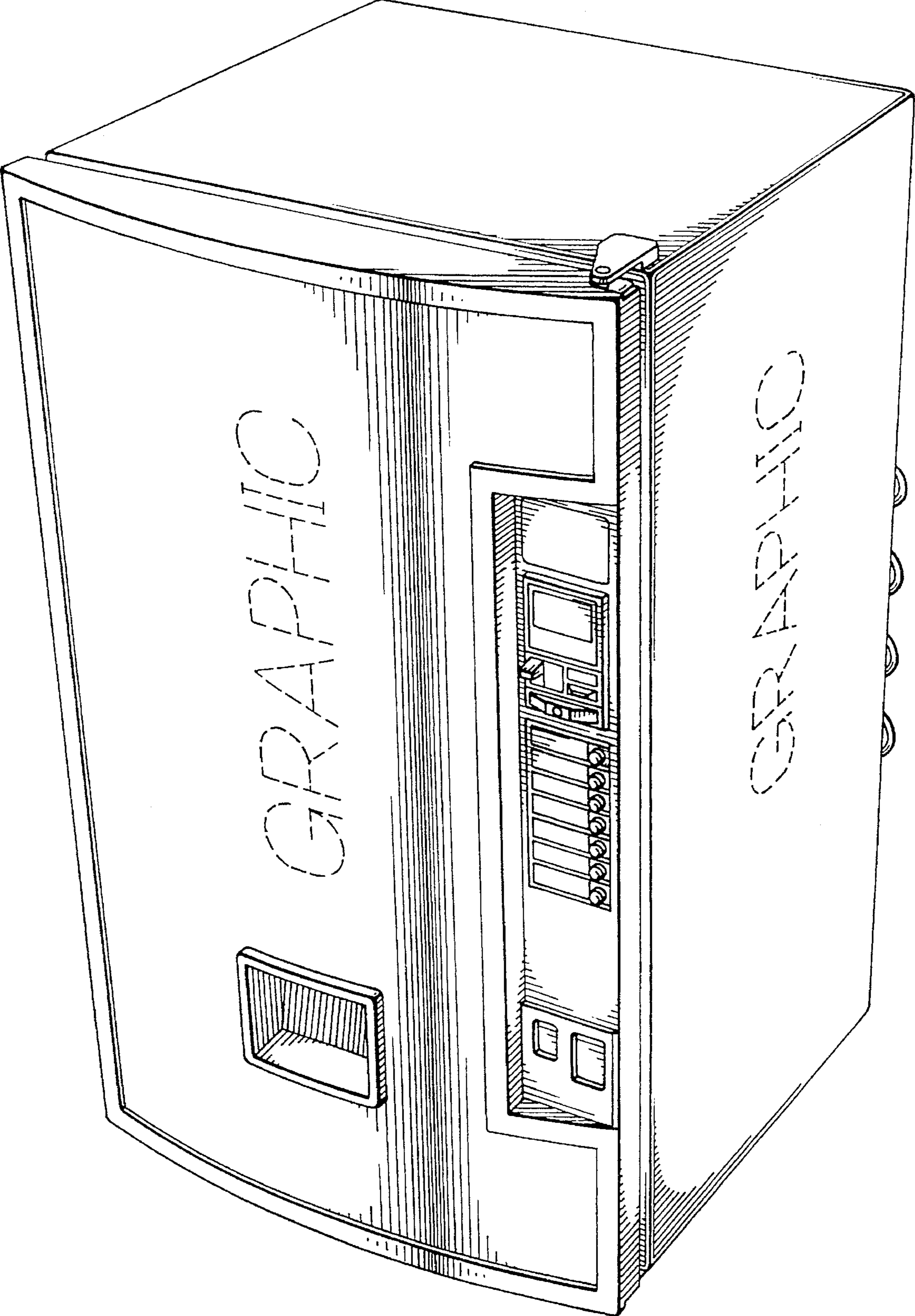
[56] **References Cited**

**U.S. PATENT DOCUMENTS**

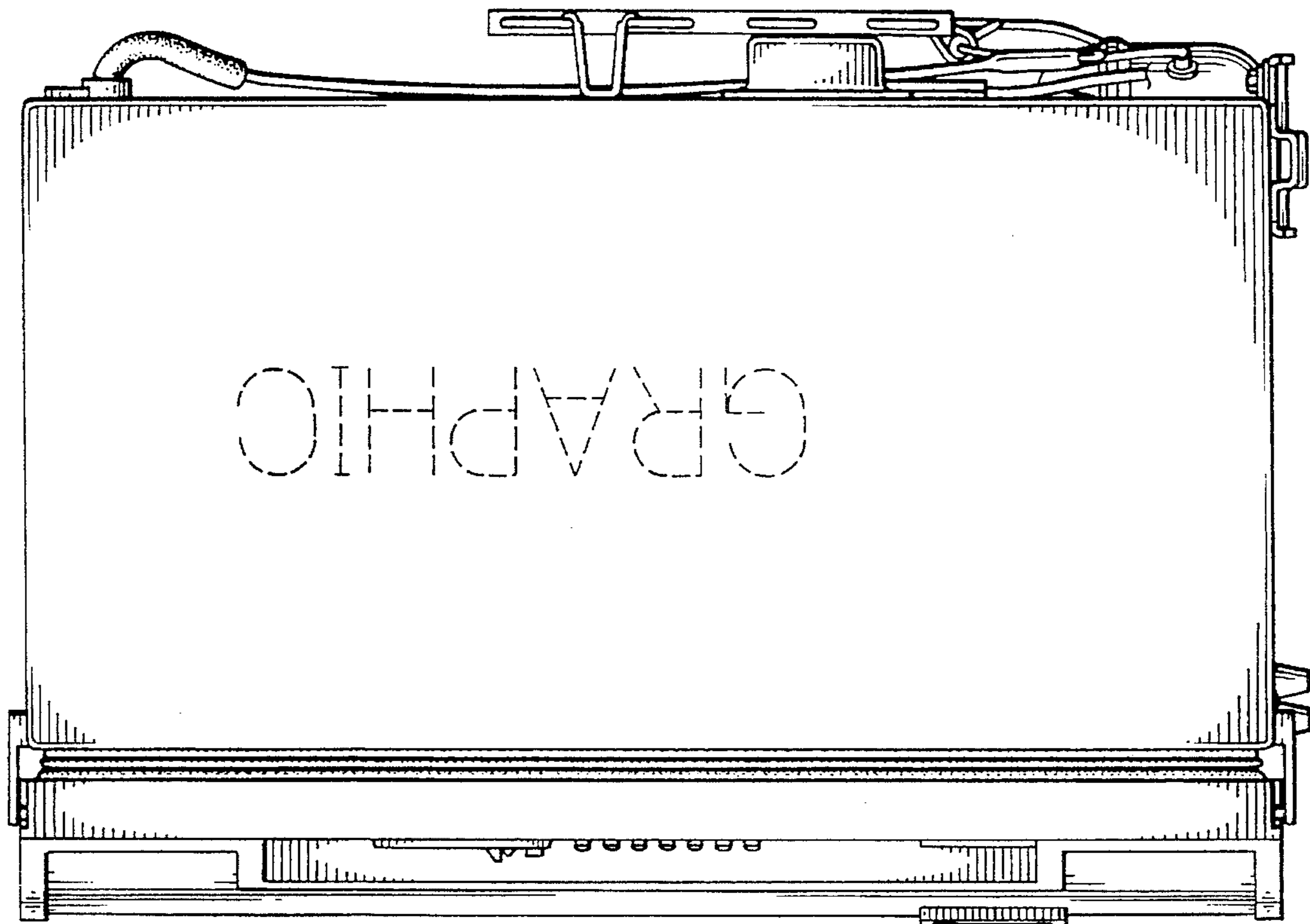
D. 277,194	1/1985	Bachmann et al. ....	D20/5
D. 294,717	3/1988	Morgan, Jr. ....	D20/1
D. 295,294	4/1988	Summerville et al. ....	D20/1
D. 297,740	9/1988	Morgan, Jr. ....	D20/5
D. 300,153	3/1989	Morgan, Jr. ....	D20/5

**1 Claim, 4 Drawing Sheets**

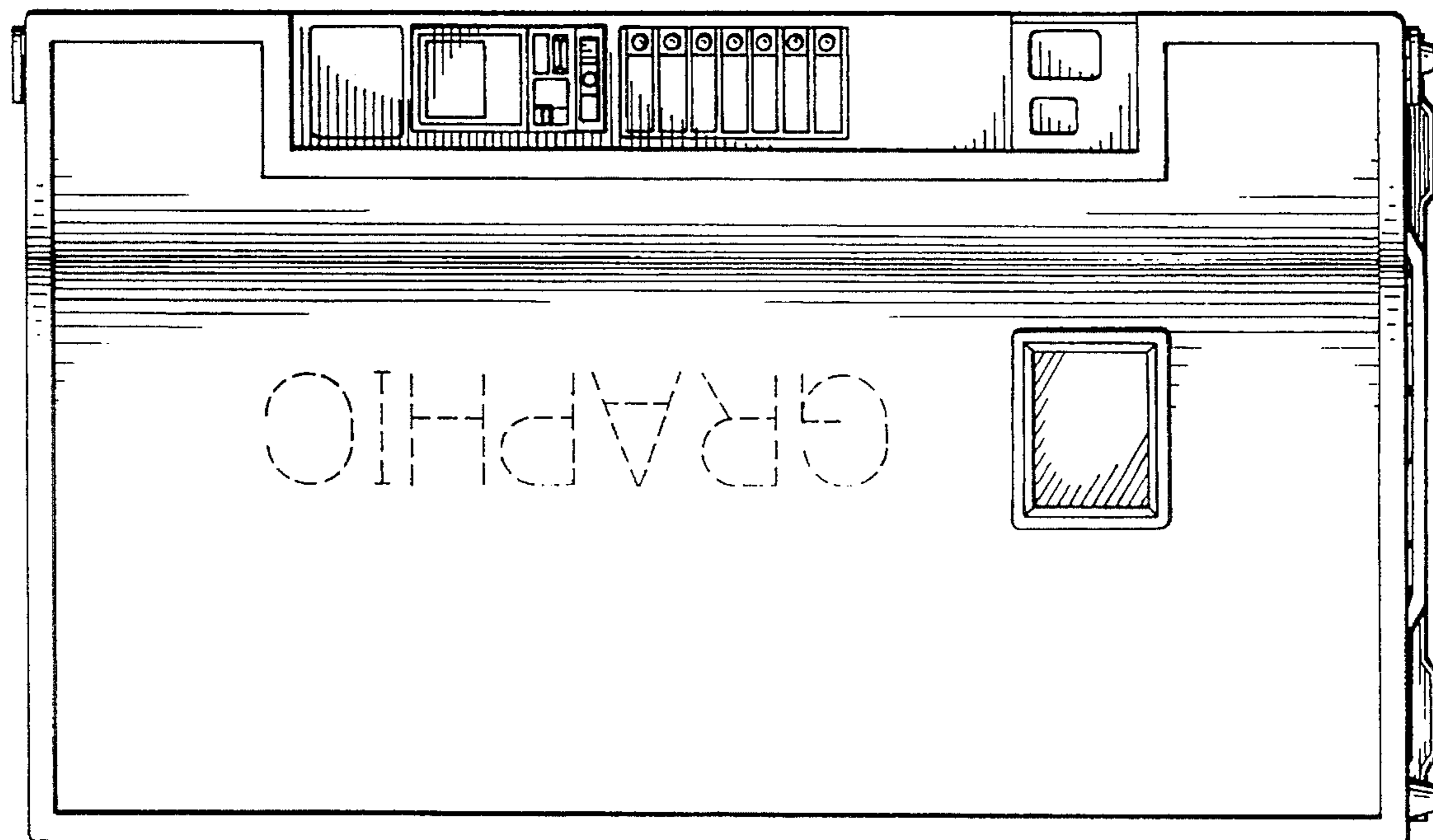




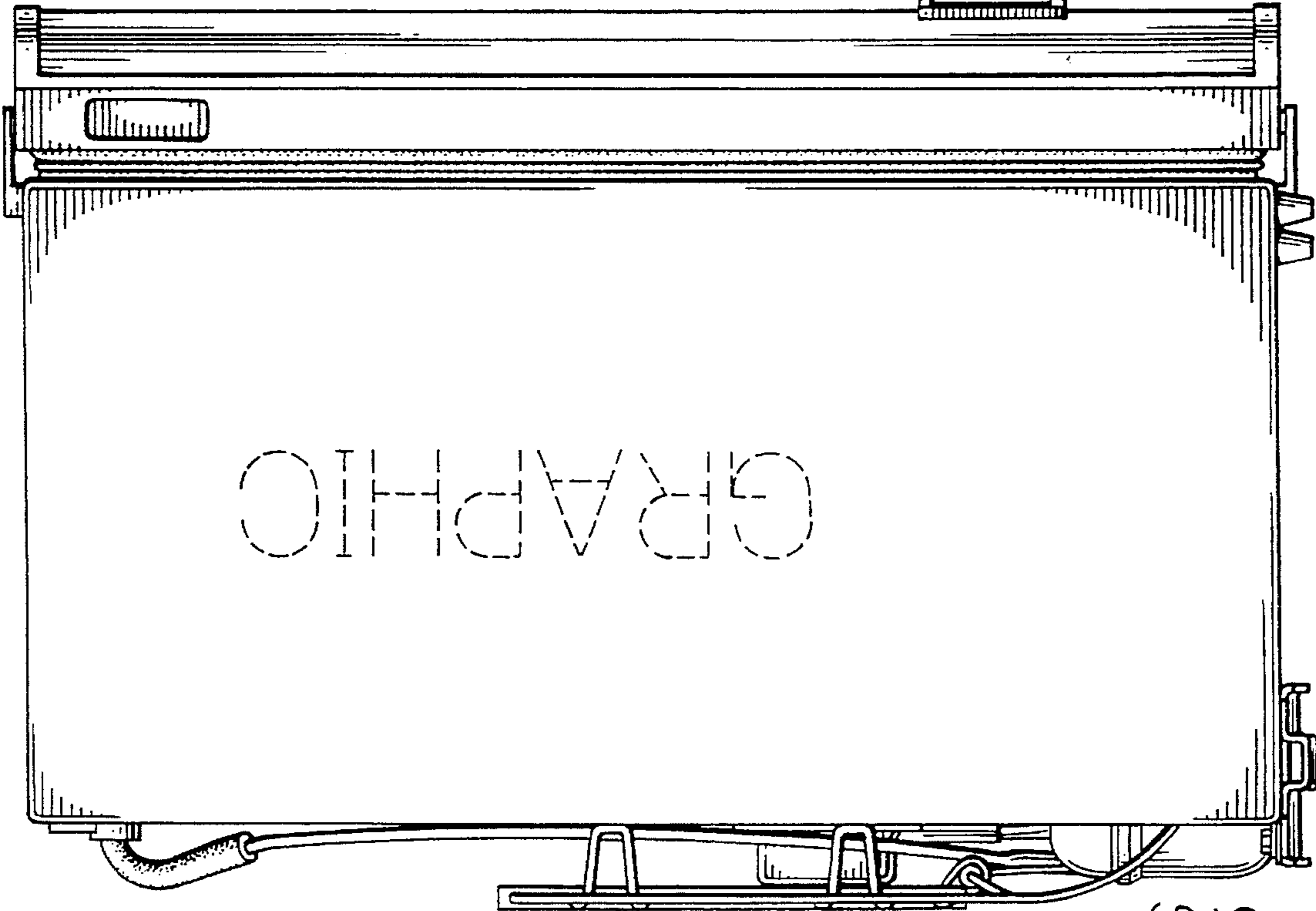
**FIG 1**



**FIG 3**

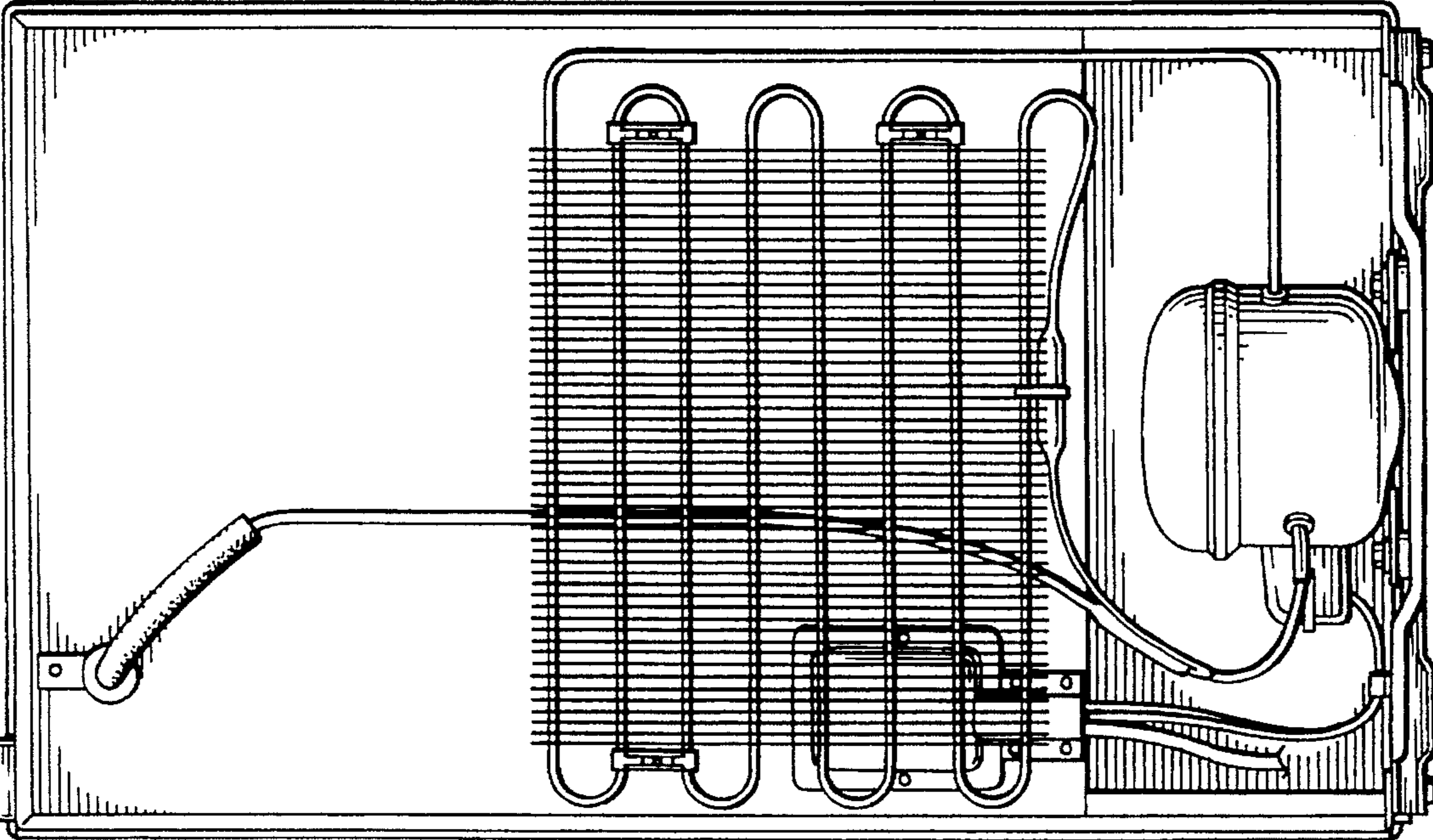


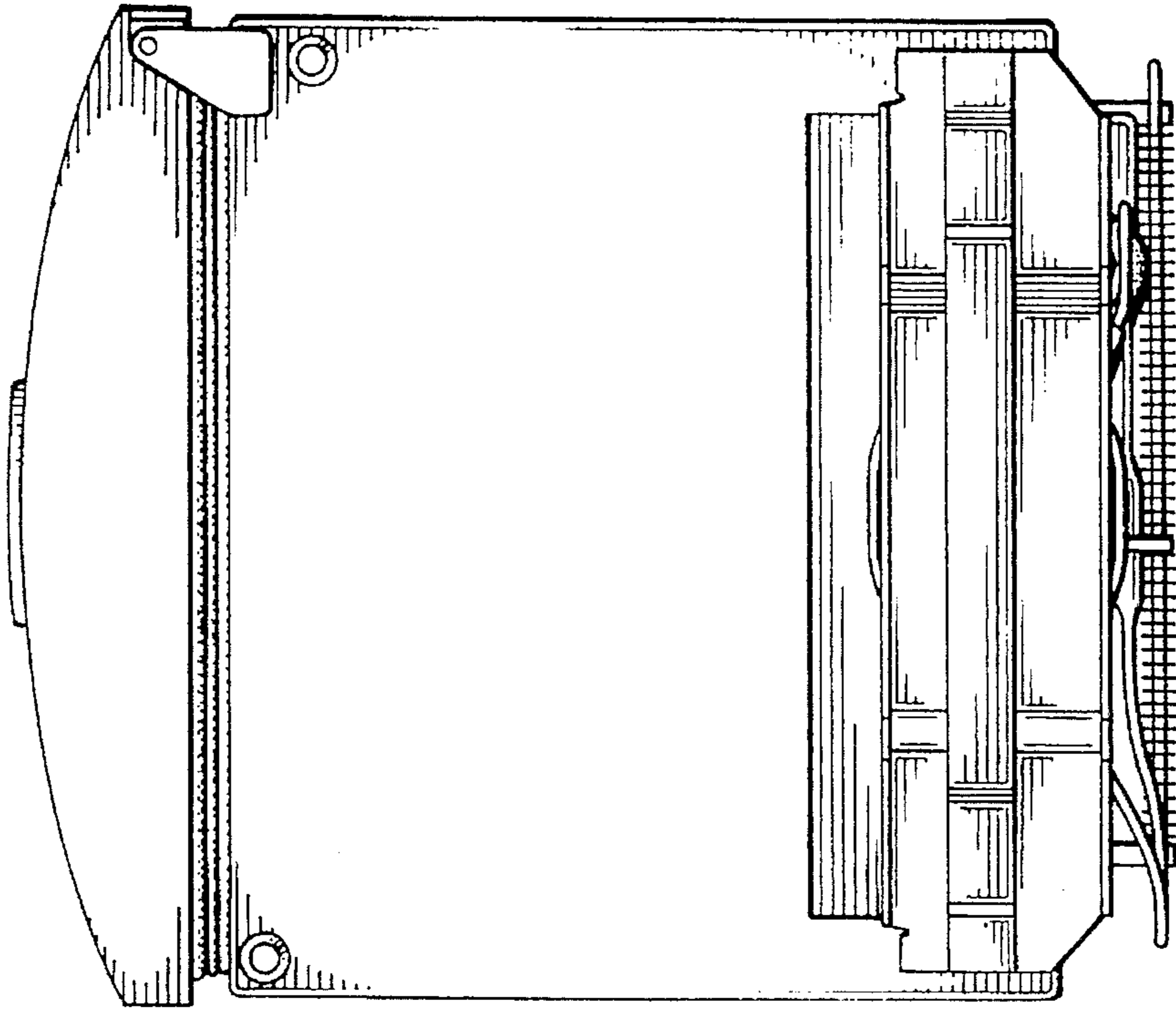
**FIG 2**



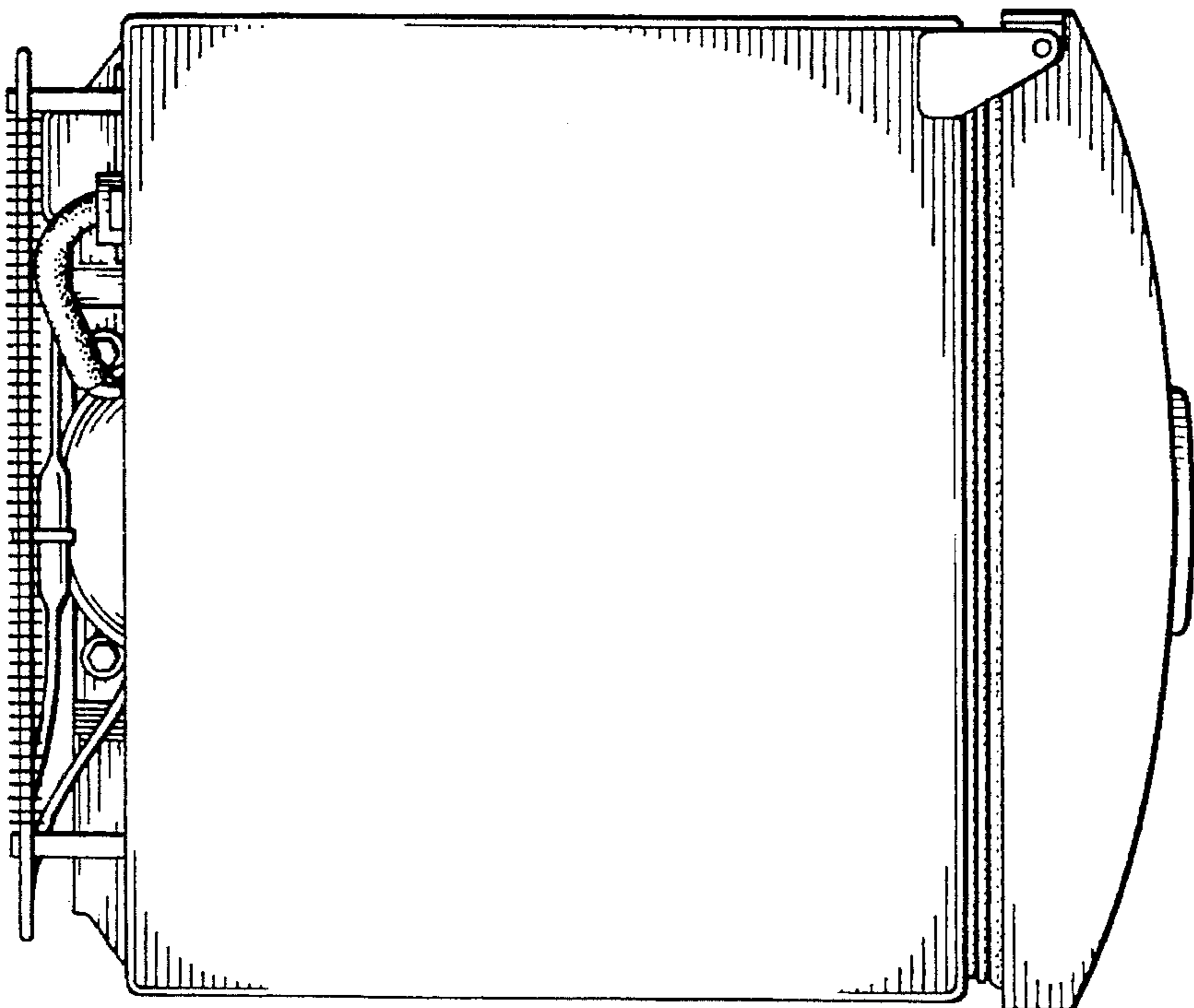
**FIG 4**

**FIG 5**





**FIG 7**



**FIG 6**