



US00D368101S

United States Patent [19]
Eubanks

[11] **Patent Number: Des. 368,101**
[45] **Date of Patent: **Mar. 19, 1996**

[54] **TILLING PLOW FOR GARDEN AND LAWN TRACTORS**

[76] Inventor: **Furney M. Eubanks**, 750 Plantation Rd., Trenton, N.C. 28585

[**] Term: **14 Years**

[21] Appl. No.: **21,507**

[22] Filed: **Apr. 19, 1994**

[52] **U.S. Cl.** **D15/27**

[58] **Field of Search** D15/10, 11, 17, D15/27, 28; 37/303; 172/439, 442, 447, 449, 451, 677, 766, 811; 280/32.5

[56] **References Cited**

U.S. PATENT DOCUMENTS

D. 192,521	4/1962	Frager	D15/27
D. 271,768	12/1983	Sommerfeld	D15/27
D. 295,979	5/1988	Baeta	D15/27
2,574,385	11/1951	Gilreath	172/766

2,799,234	7/1957	Chancey	280/32.5
3,403,737	10/1968	Byrd	172/451
3,777,823	12/1973	Holfeld	172/677
4,136,741	1/1979	Rambach	172/677
4,520,877	6/1985	Magelky	172/451
4,537,261	8/1985	Hatzell	172/677

Primary Examiner—Sandra L. Morris
Attorney, Agent, or Firm—John C. Mills and Associates

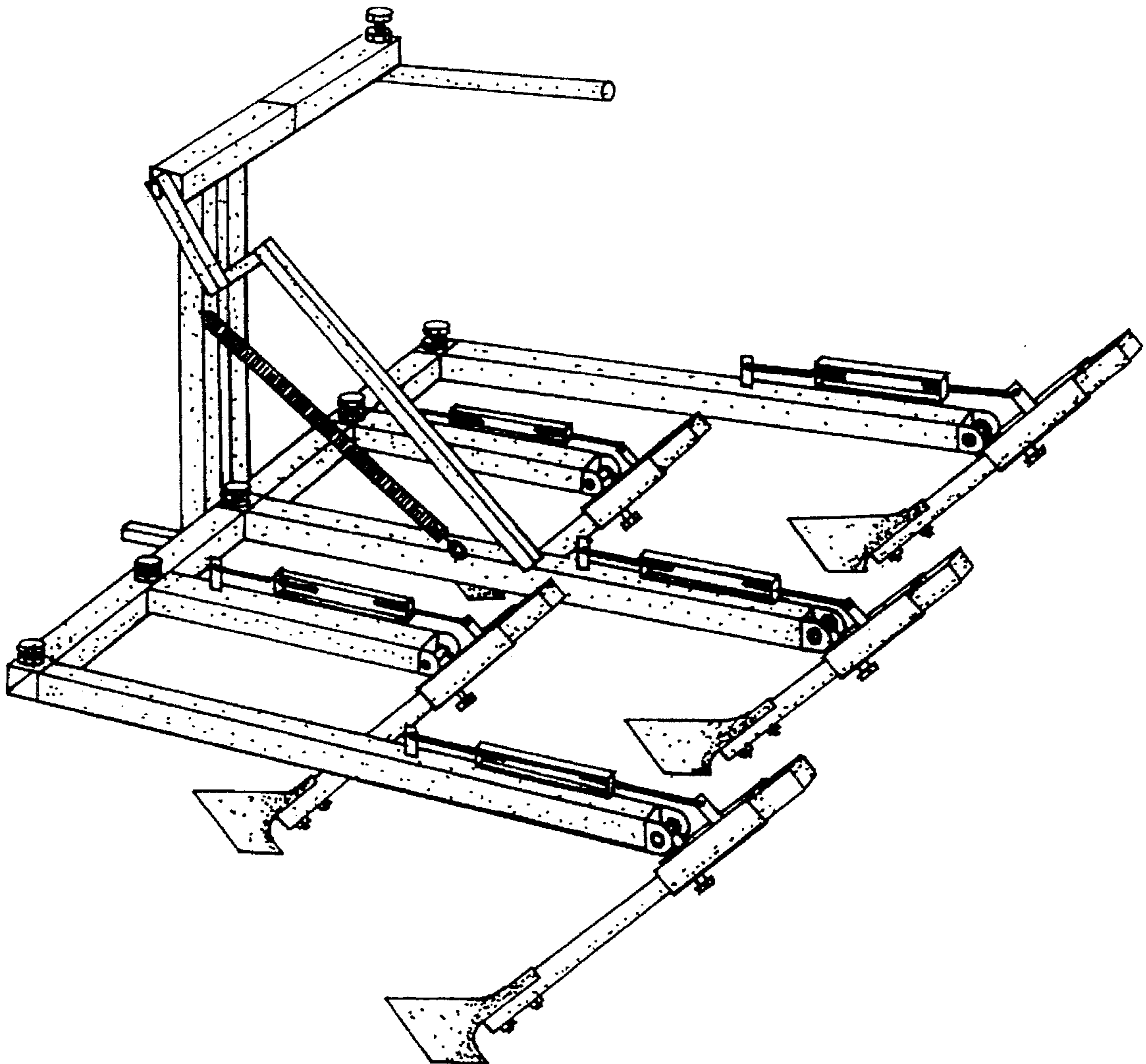
[57] **CLAIM**

The ornamental design for a tilling plow for garden and lawn tractors, as shown.

DESCRIPTION

FIG. 1 is a top plan view of the tilling plow for garden and lawn tractors showing my new design; FIG. 2 is a left side elevational view thereof; FIG. 3 is a front elevational view thereof; FIG. 4 is a rear elevational view thereof; and, FIG. 5 is a perspective view thereof.

1 Claim, 3 Drawing Sheets



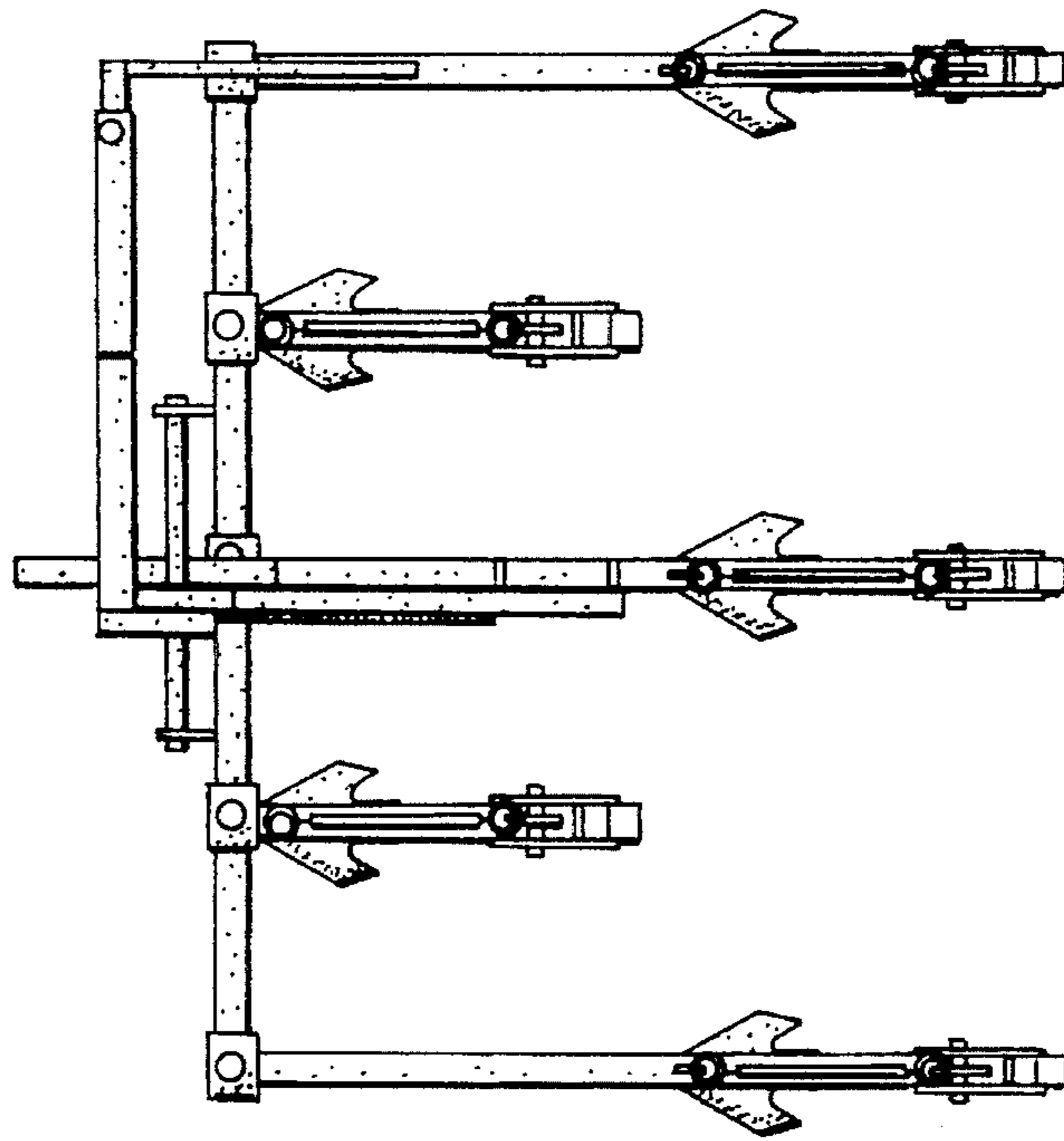


FIG. 1

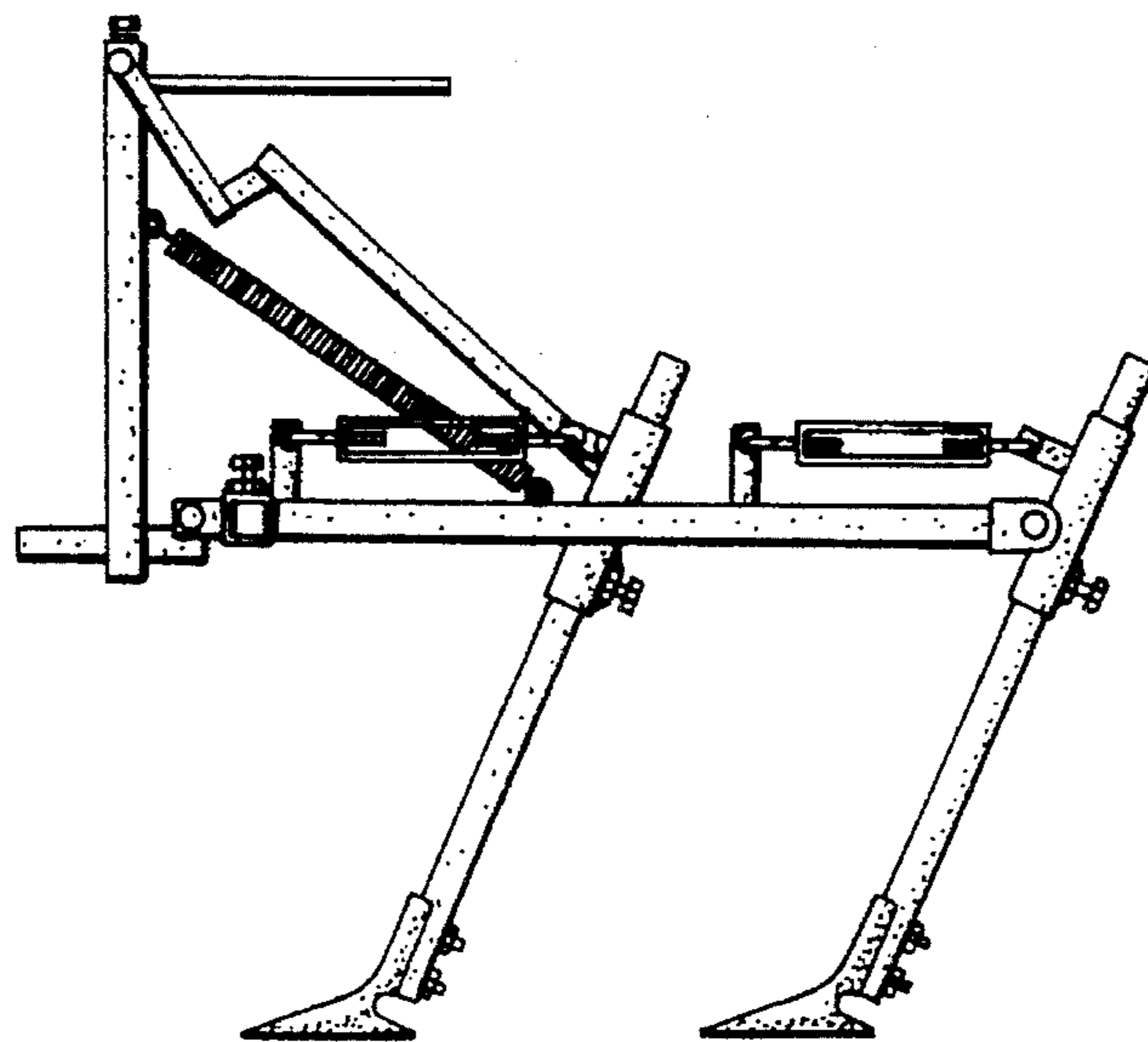


FIG. 2

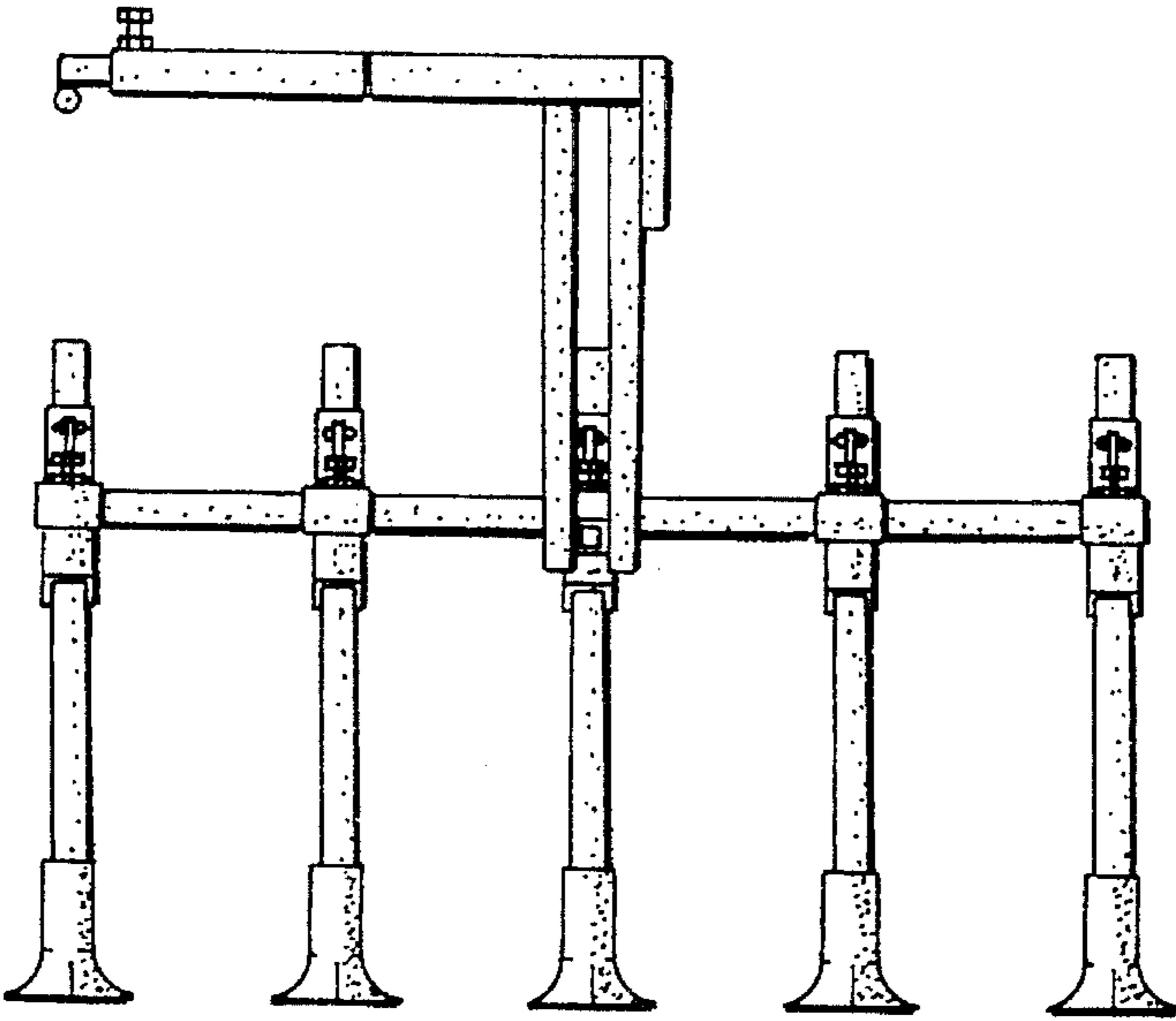


FIG. 3

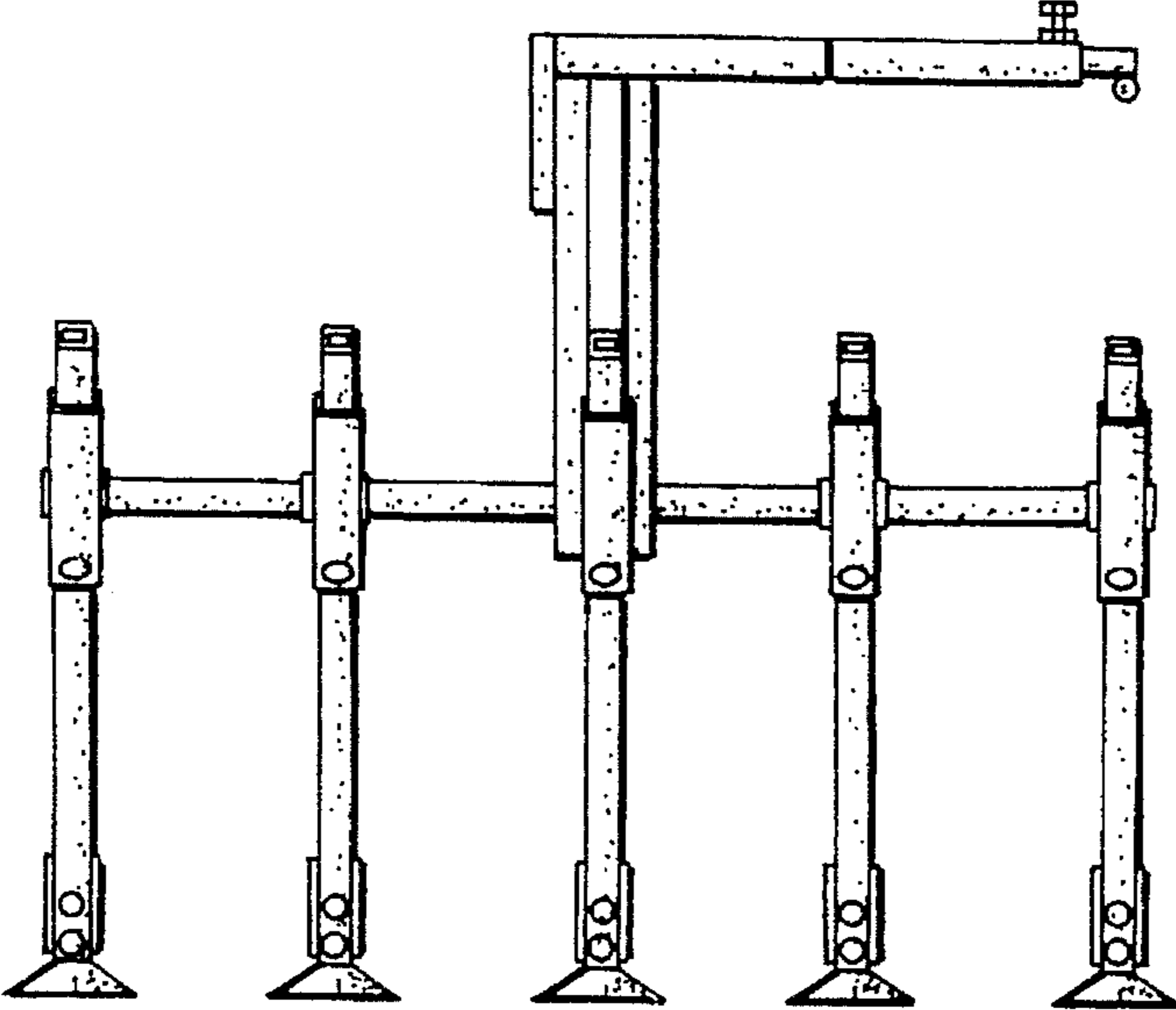


FIG. 4

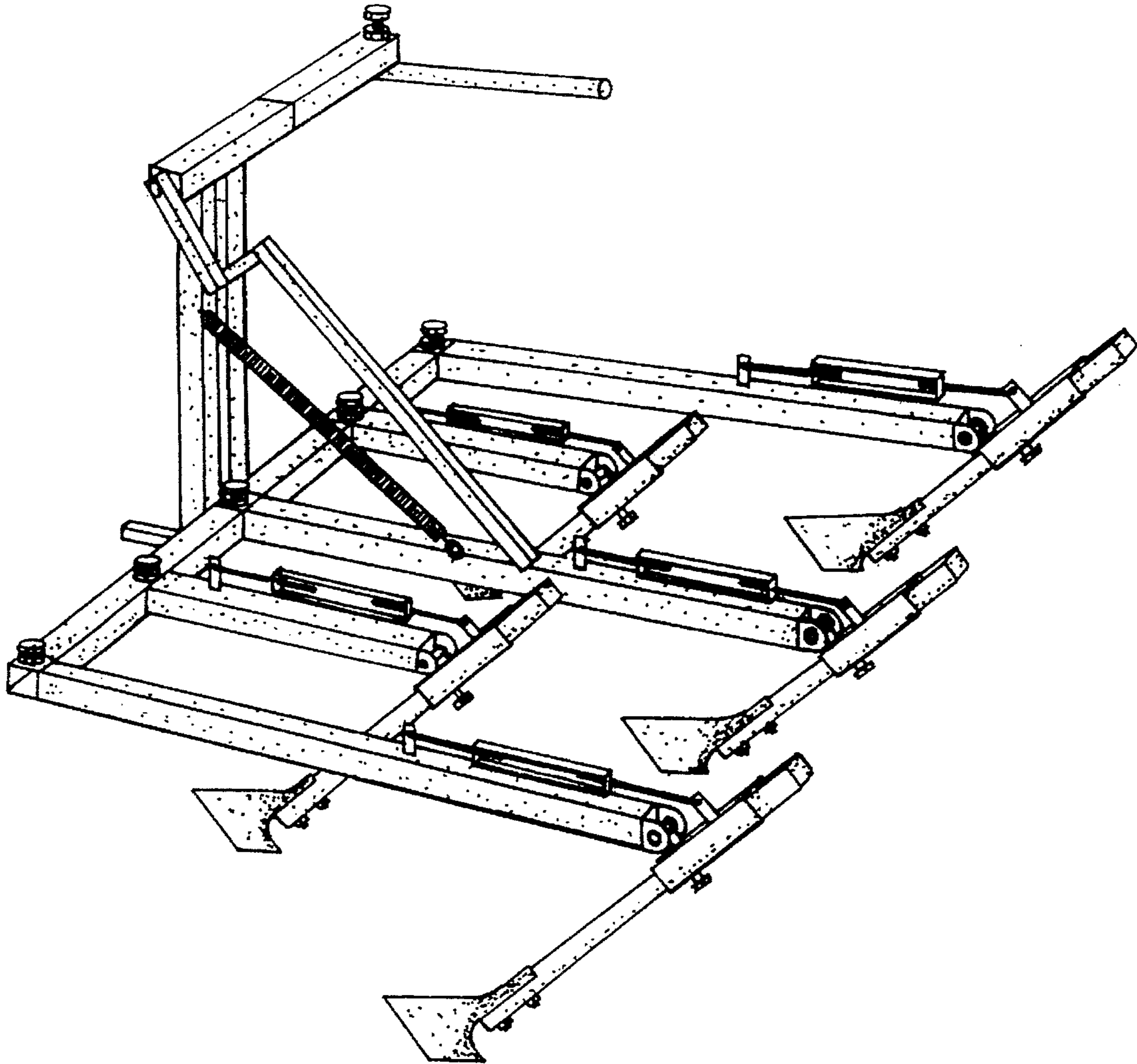


FIG. 5