



US00D368100S

United States Patent [19]

[11] Patent Number: Des. 368,100

Yoshikawa et al.

[45] Date of Patent: **Mar. 19, 1996

[54] FEEDER FOR SUPPLYING A FIXED QUANTITY OF PARTICLES

5,037,014 8/1991 Bliss 222/410
5,375,747 12/1994 Yoshikawa et al. 222/410

[76] Inventors: Osamu Yoshikawa, 2-713 Higasi-ohshoji-choh; Hirofumi Yoshikawa, 1-2274 Miyauchi-choh, both of Sendai City, Kagoshima Pref., Japan

Primary Examiner—Sandra L. Morris
Attorney, Agent, or Firm—Wenderoth, Lind & Ponack

[**] Term: 14 Years

[57] CLAIM

The ornamental design for a feeder for supplying a fixed quantity of particles, as shown and described.

[21] Appl. No.: 31,581

[22] Filed: Nov. 25, 1994

[52] U.S. Cl. D15/13; D15/28

[58] Field of Search D15/10, 13, 28; 222/410

DESCRIPTION

FIG. 1 is a front elevational view of a feeder for supplying a fixed quantity of particles, showing our new design; FIG. 2 is a rear elevational view thereof; FIG. 3 is a top plan view thereof; FIG. 4 is a bottom plan view thereof; FIG. 5 is a left side elevational view thereof; FIG. 6 is a right side elevational view thereof; FIG. 7 is a cross-sectional view taken along line 7—7 of FIG. 3; and, FIG. 8 is a right side elevational view, partially in cross section, showing the design in use, the broken line showing being for illustrative purposes only, and forming no part of the claimed design.

[56] References Cited

U.S. PATENT DOCUMENTS

D. 182,203	2/1958	Riskin	D15/28
D. 197,734	3/1964	Wahl	D15/13
D. 228,022	7/1973	Sietmann	D15/28
D. 282,931	3/1986	Doering et al.	D15/13
3,261,514	7/1966	Haley et al.	222/410
4,513,892	4/1985	Koeneman et al.	222/410

1 Claim, 2 Drawing Sheets

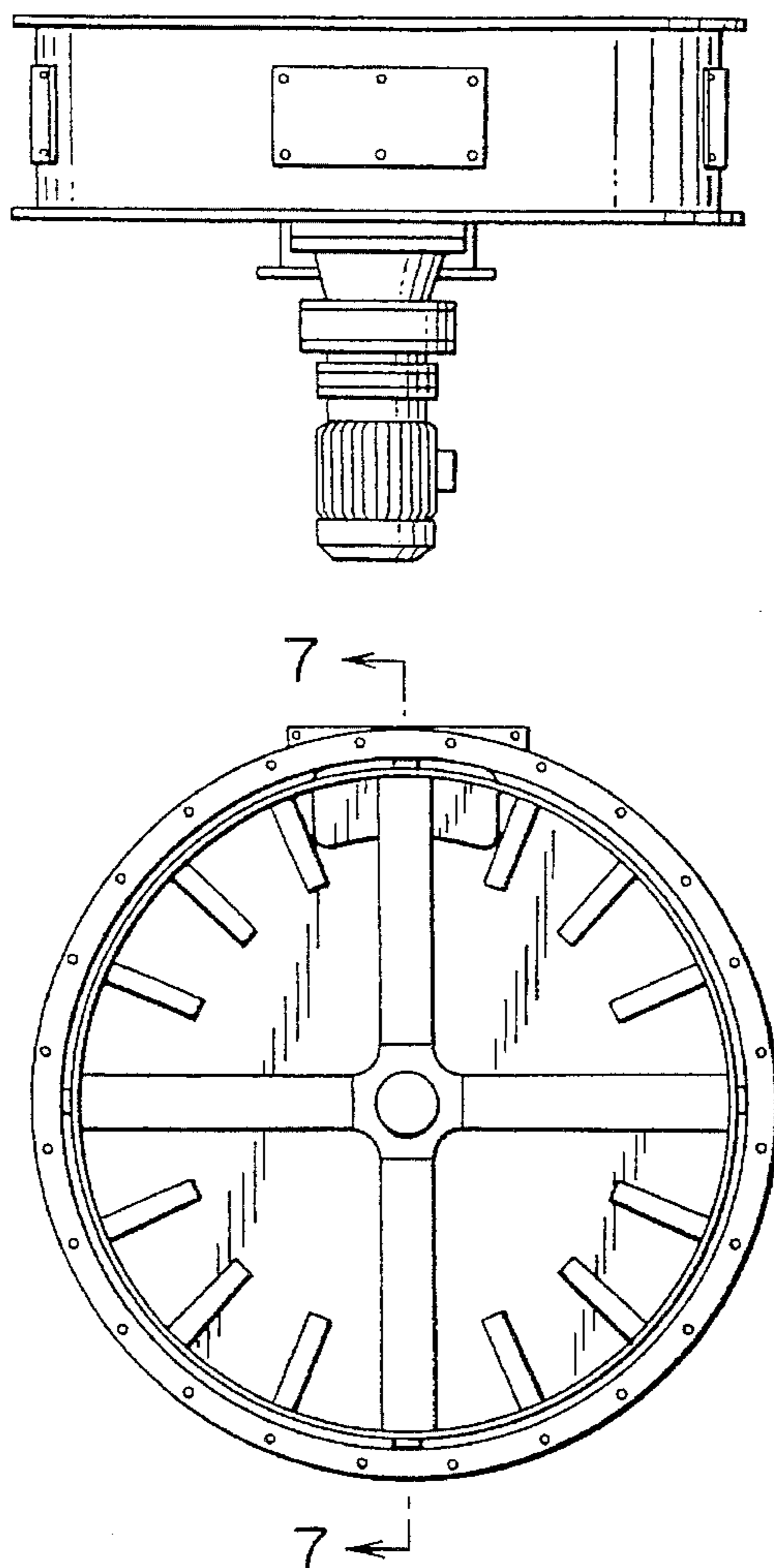


FIG. 1

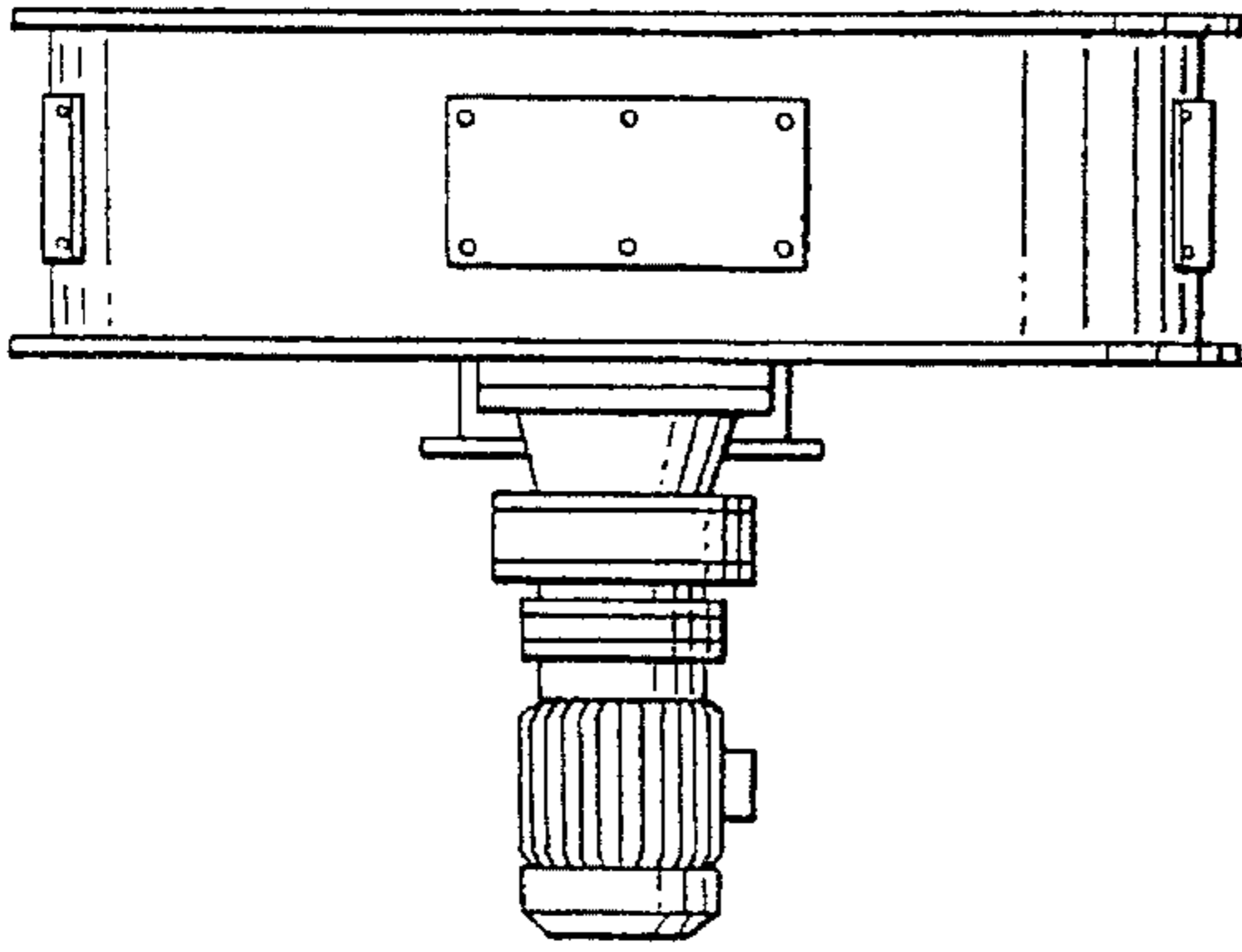


FIG. 2

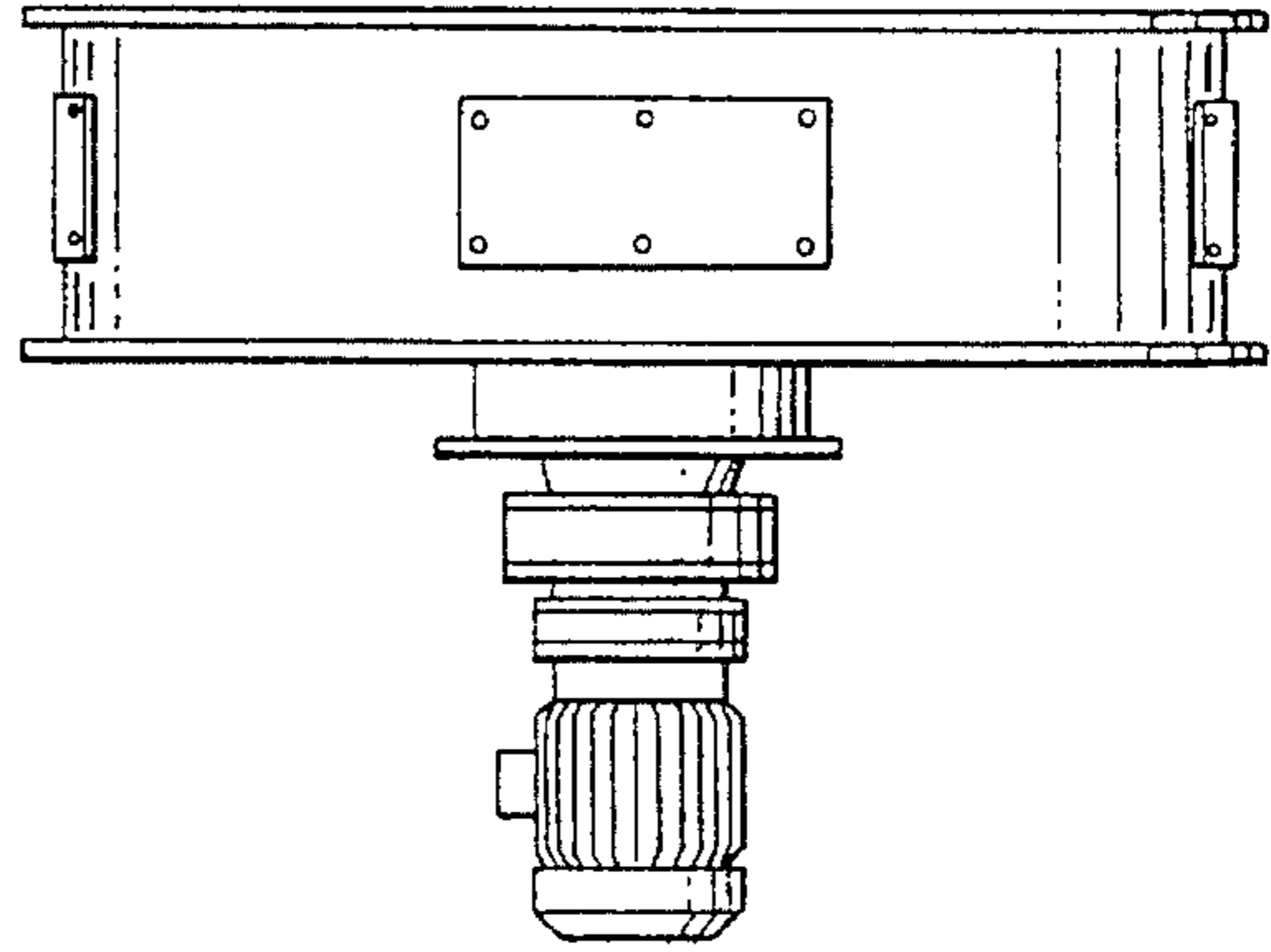


FIG. 3

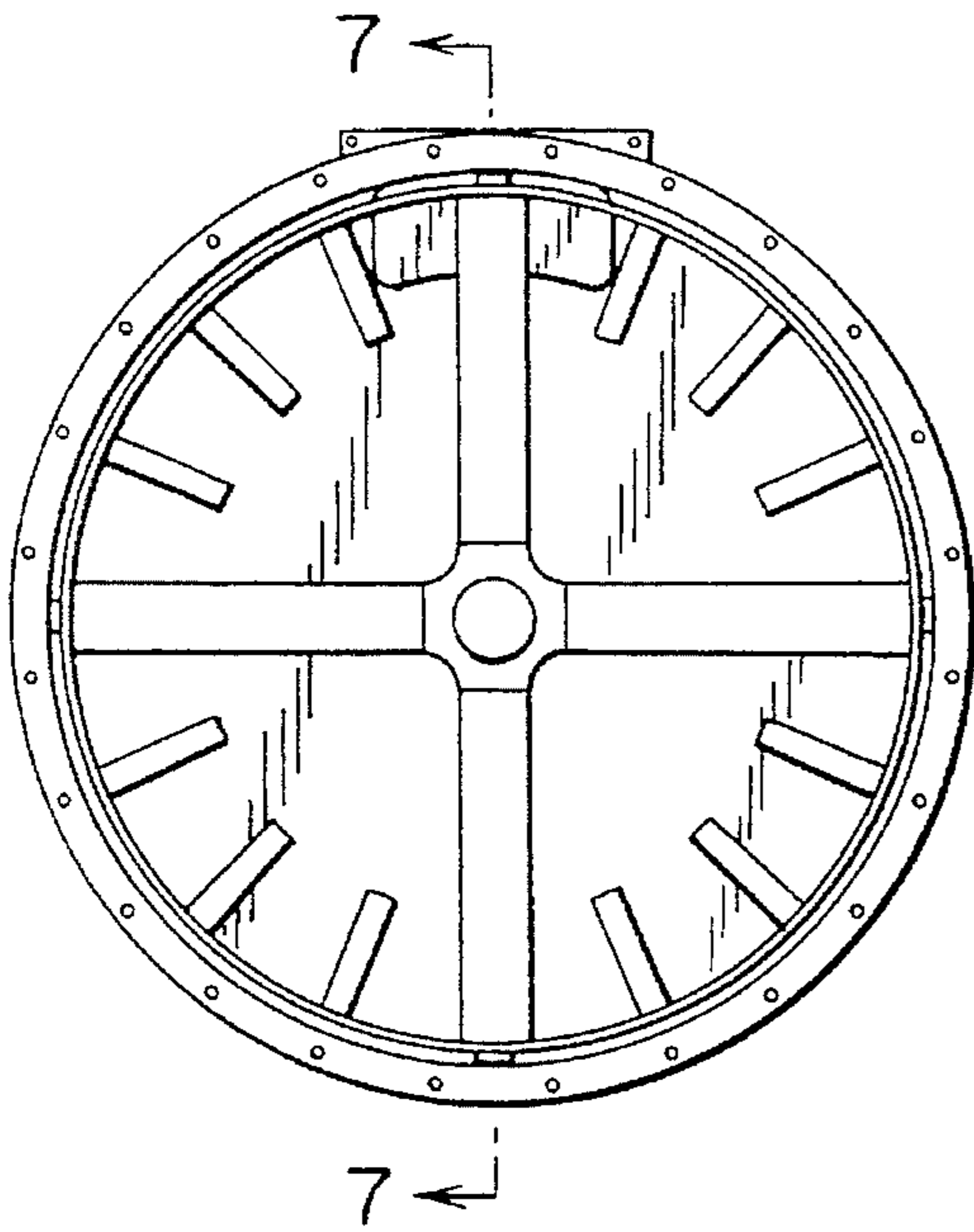


FIG. 4

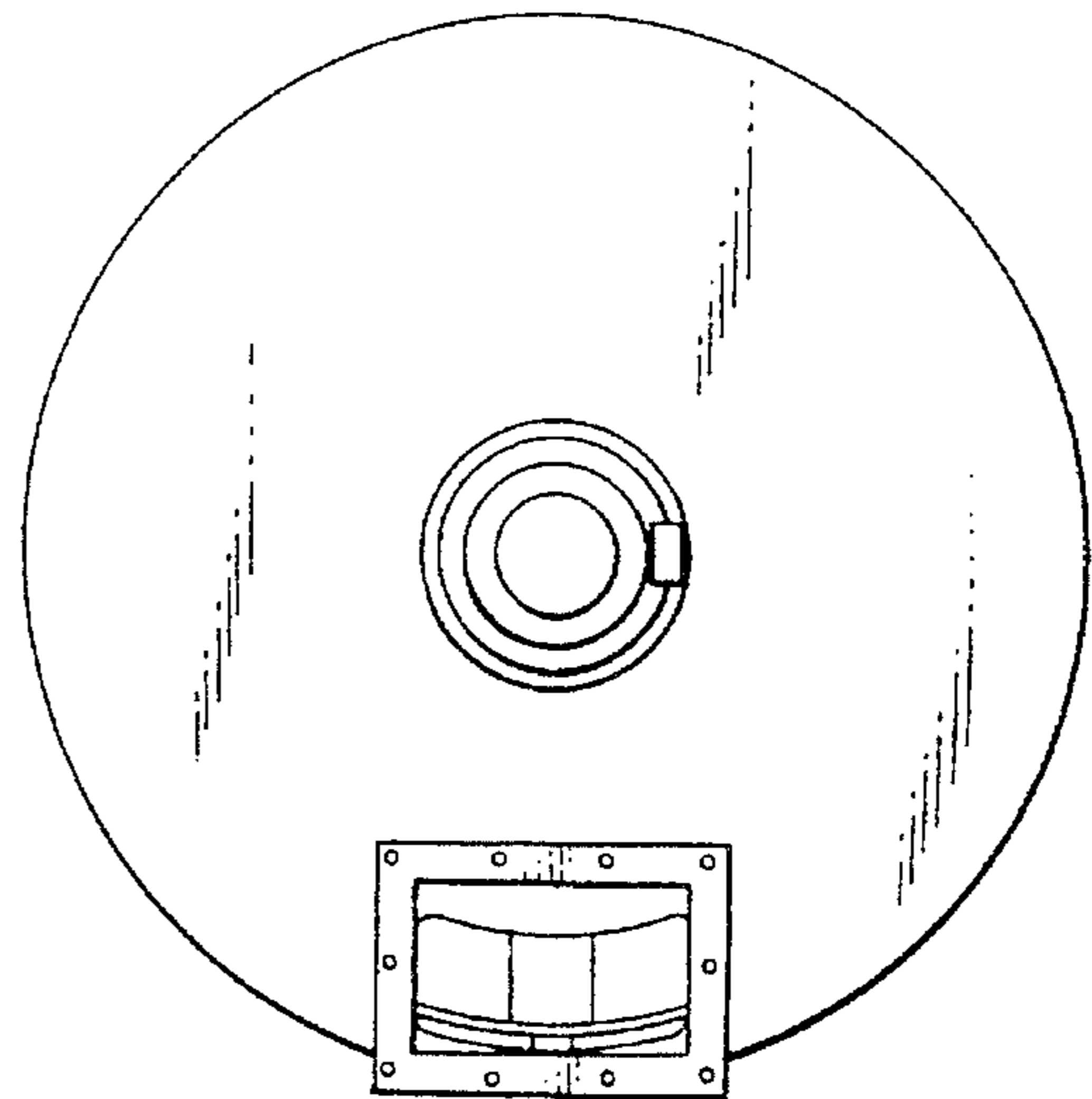


FIG. 5

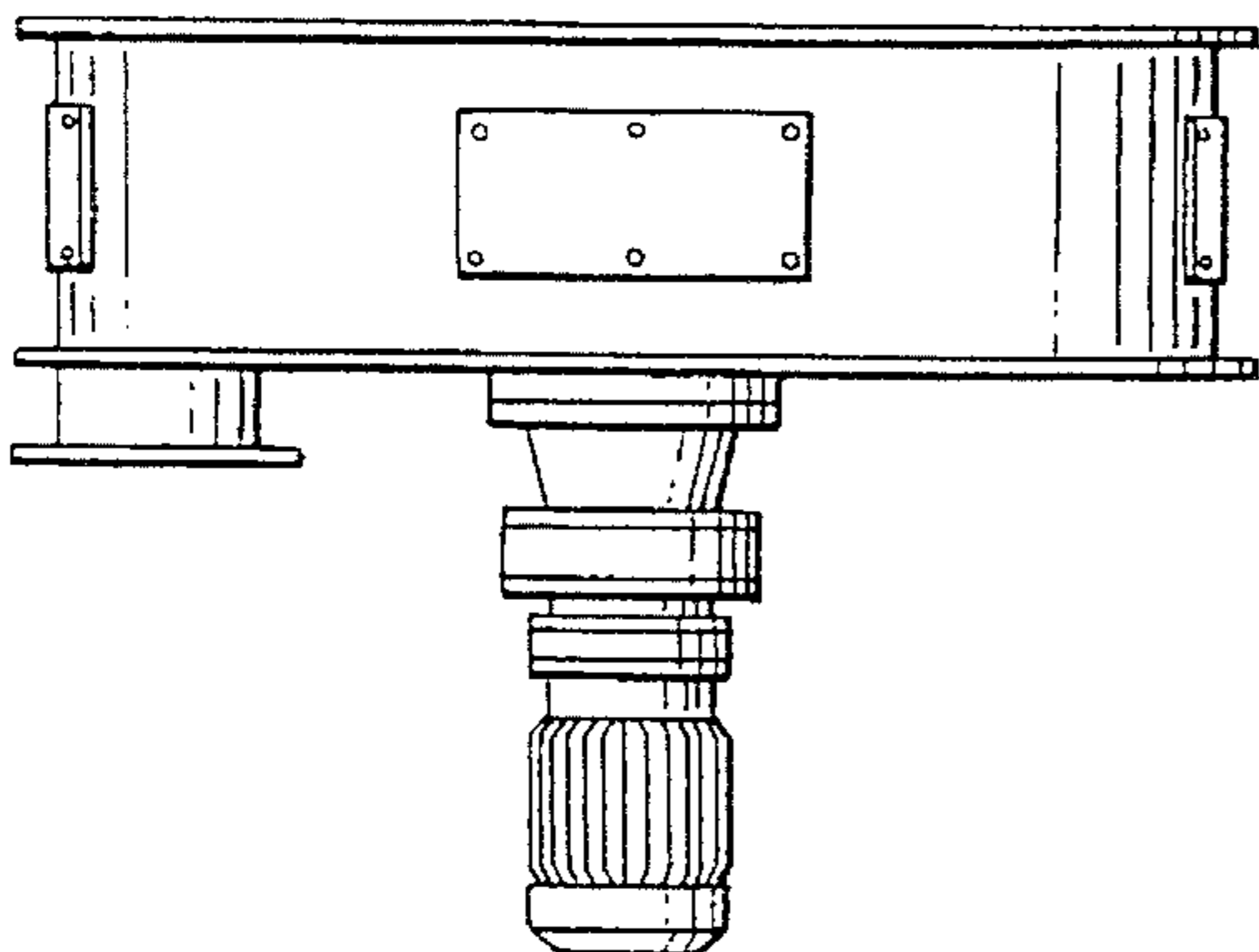


FIG. 6

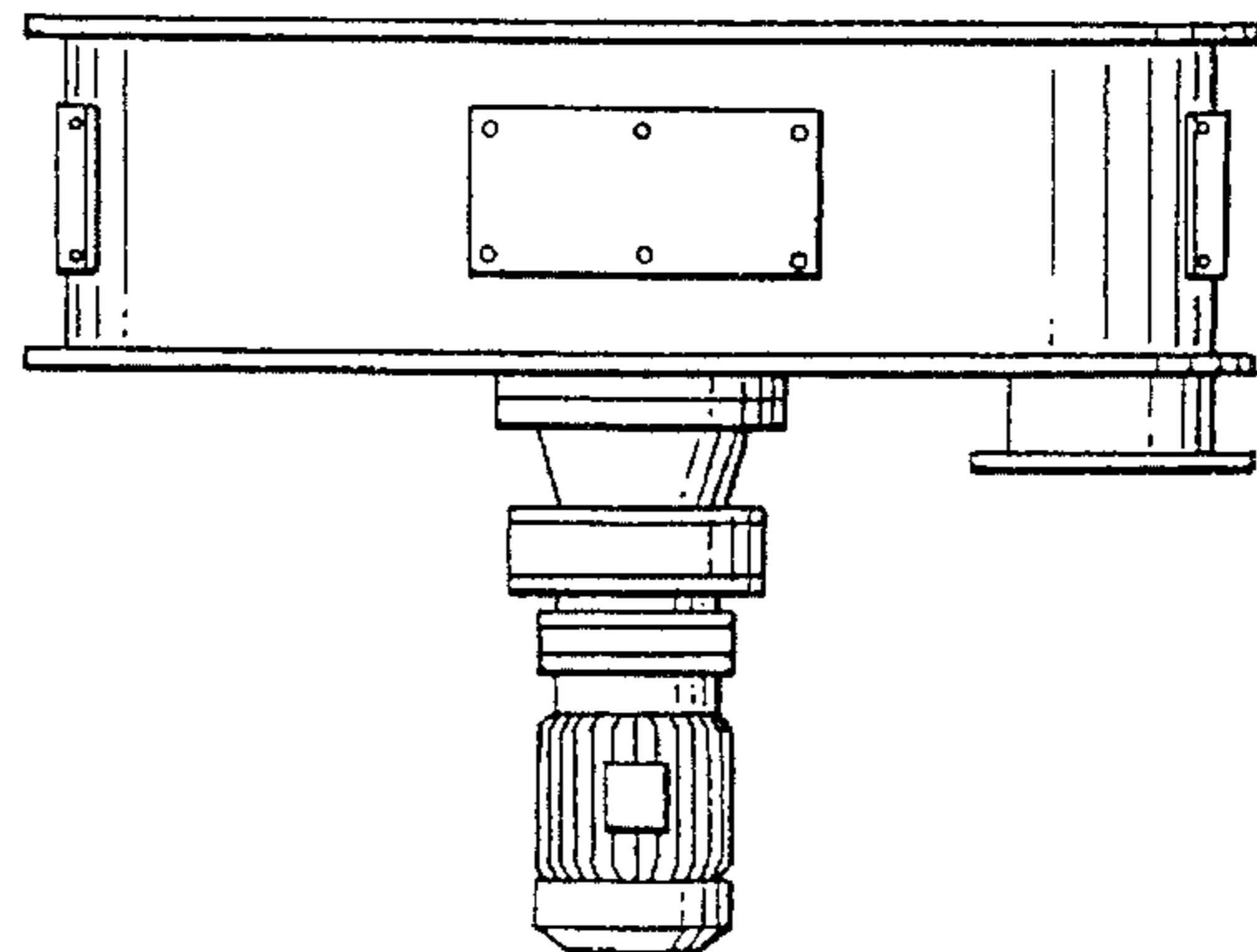


FIG. 7

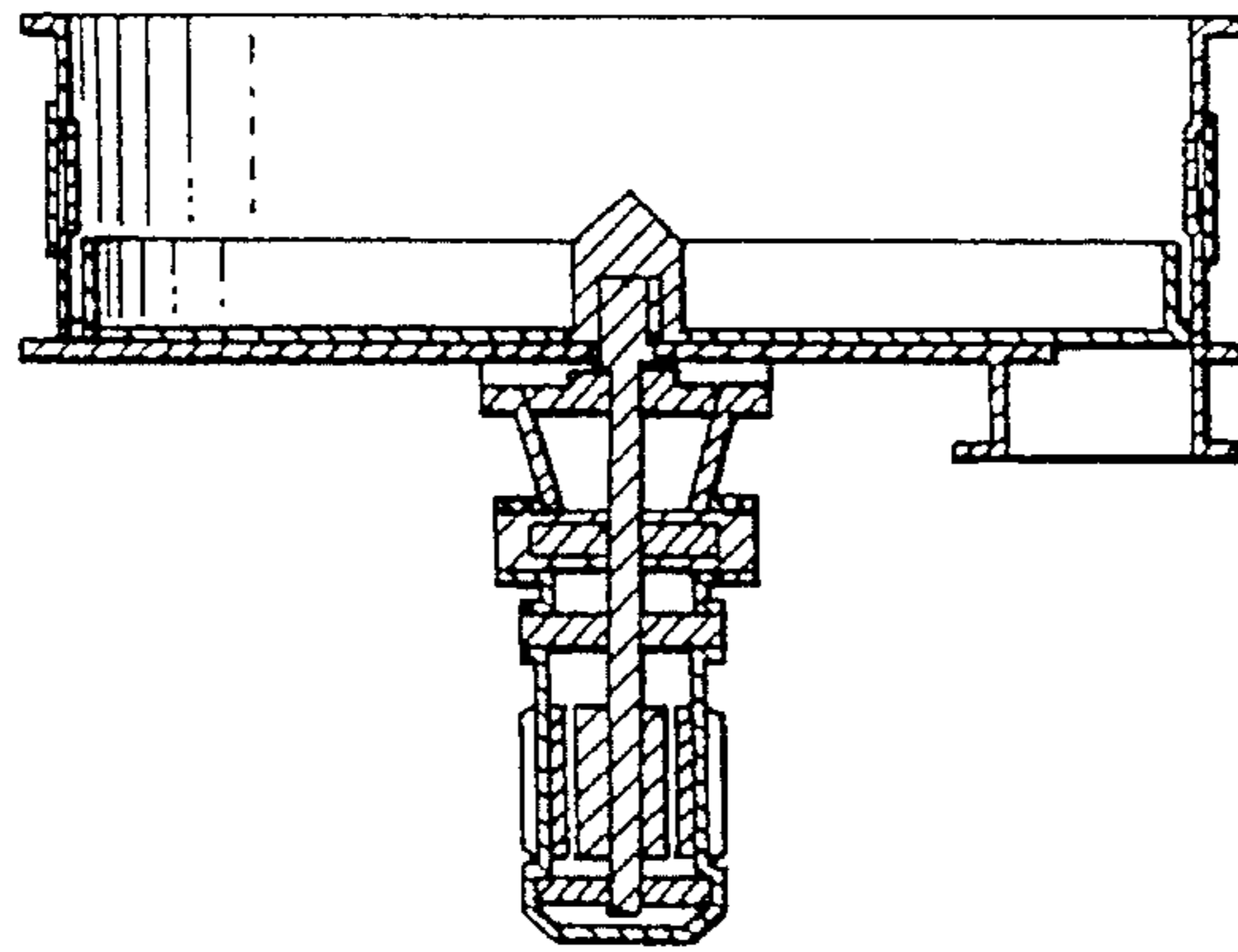


FIG. 8

