



US00D368090S

United States Patent [19]
Zeitman

[11] **Patent Number: Des. 368,090**
[45] **Date of Patent: **Mar. 19, 1996**

[54] **TELEPHONE SET**

[75] Inventor: **Josh Zeitman**, Brooklyn, N.Y.

[73] Assignee: **Lennox Electronics Corp.**, Brooklyn, N.Y.

[**] Term: **14 Years**

[21] Appl. No.: **37,669**

[22] Filed: **Apr. 18, 1995**

[52] U.S. Cl. **D14/151; D14/241**

[58] **Field of Search** D14/149-151,
D14/140, 142, 240, 241, 147-148; 379/454,
455, 433-436, 419, 420, 428, 440

[56] **References Cited**

U.S. PATENT DOCUMENTS

D. 303,798	10/1989	Yamakawa	D14/142	X
D. 319,642	9/1991	Ando	D14/151	
D. 321,872	11/1991	Ando	D14/241	X
D. 345,557	3/1994	Akatsu et al.	D14/151	
D. 348,670	7/1994	Yoneyama	D14/151	
D. 354,956	1/1995	Toh et al.	D14/141	

OTHER PUBLICATIONS

B. A. Pargh Catalog, Spring/Summer 1992, p. 325, Bell-South Telephone at center right.

John Greenan & Sons, Inc. Catalog, Panasonic Telephone at center of page.

Primary Examiner—Jeffrey Asch

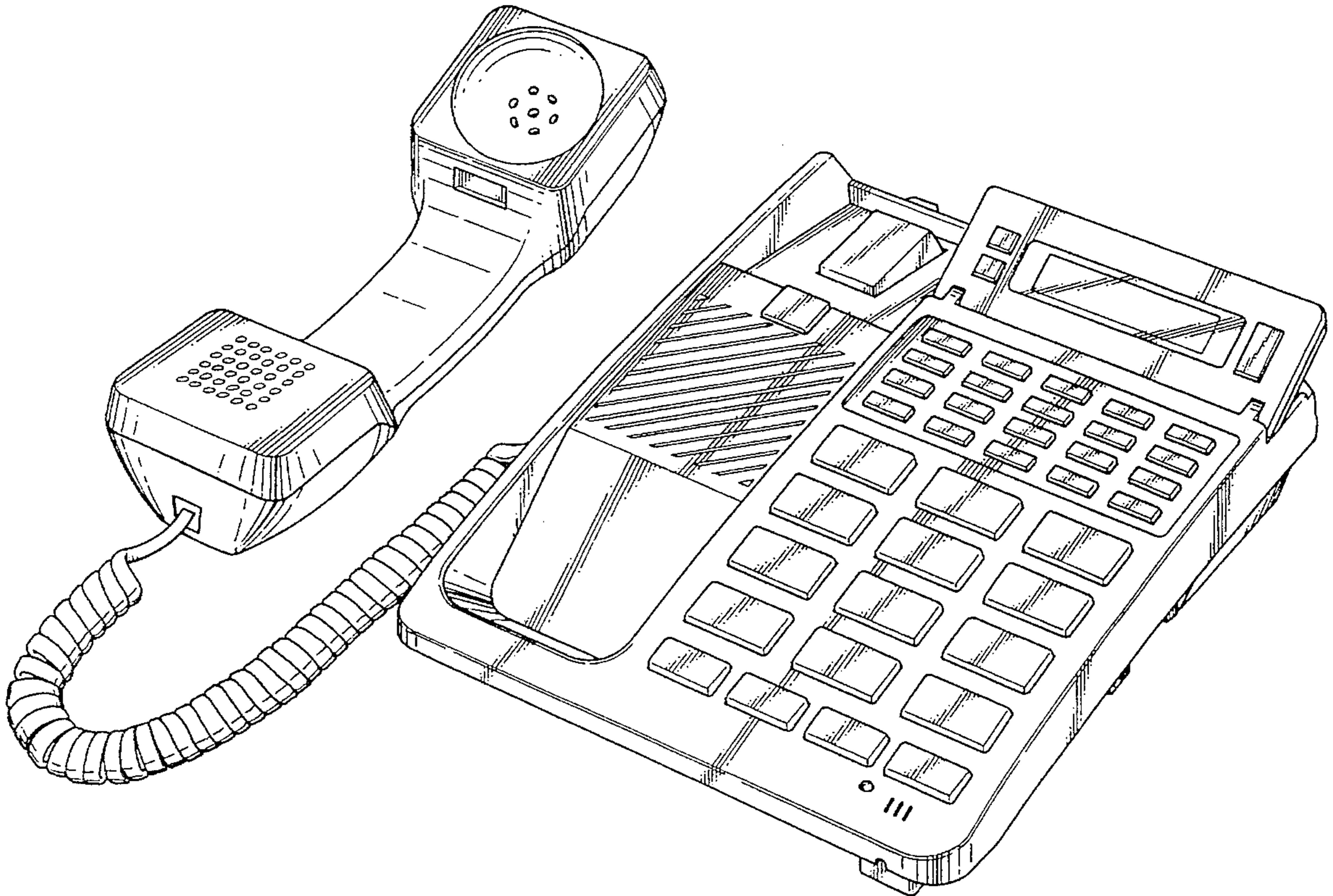
[57] **CLAIM**

The ornamental design for a telephone set, as shown and described.

DESCRIPTION

FIG. 1 is a perspective view from above and right side with the display thereof tilted forward;
FIG. 2 is the front view thereof;
FIG. 3 is the rear view thereof;
FIG. 4 is the left side view thereof;
FIG. 5 is the right side view thereof;
FIG. 6 is the top view thereof; and,
FIG. 7 is the bottom view thereof.

1 Claim, 5 Drawing Sheets



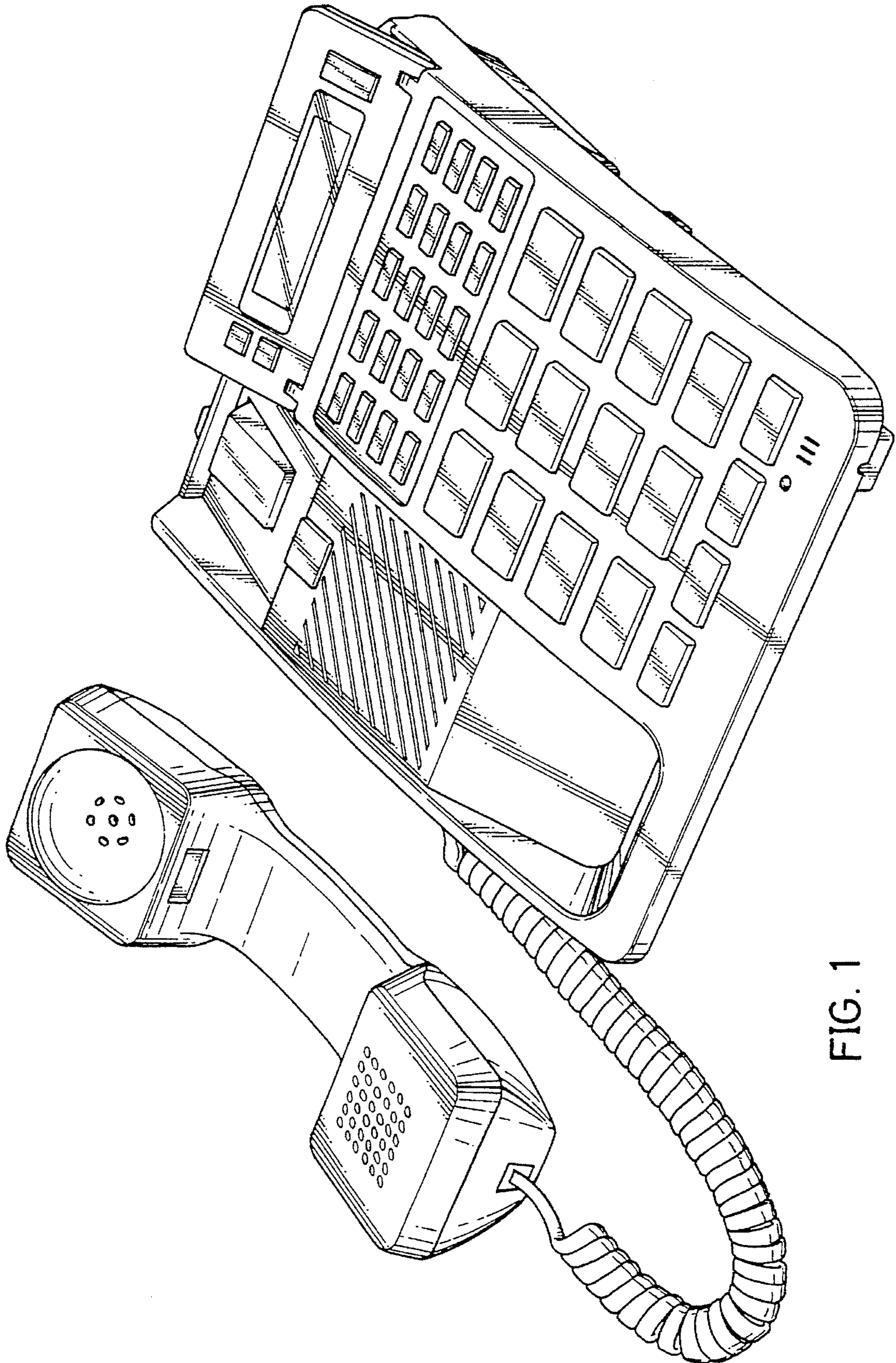


FIG. 1

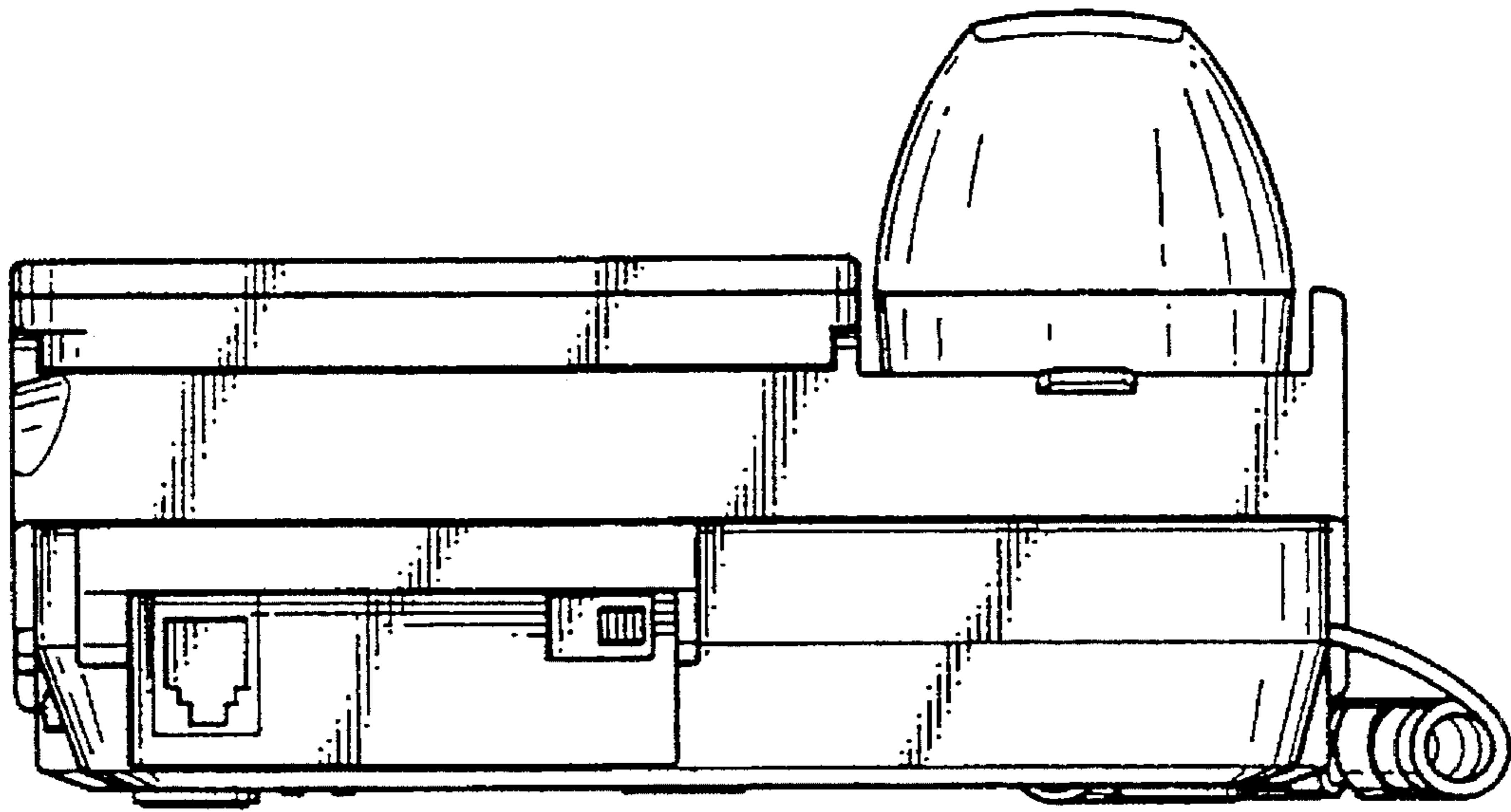


FIG. 3

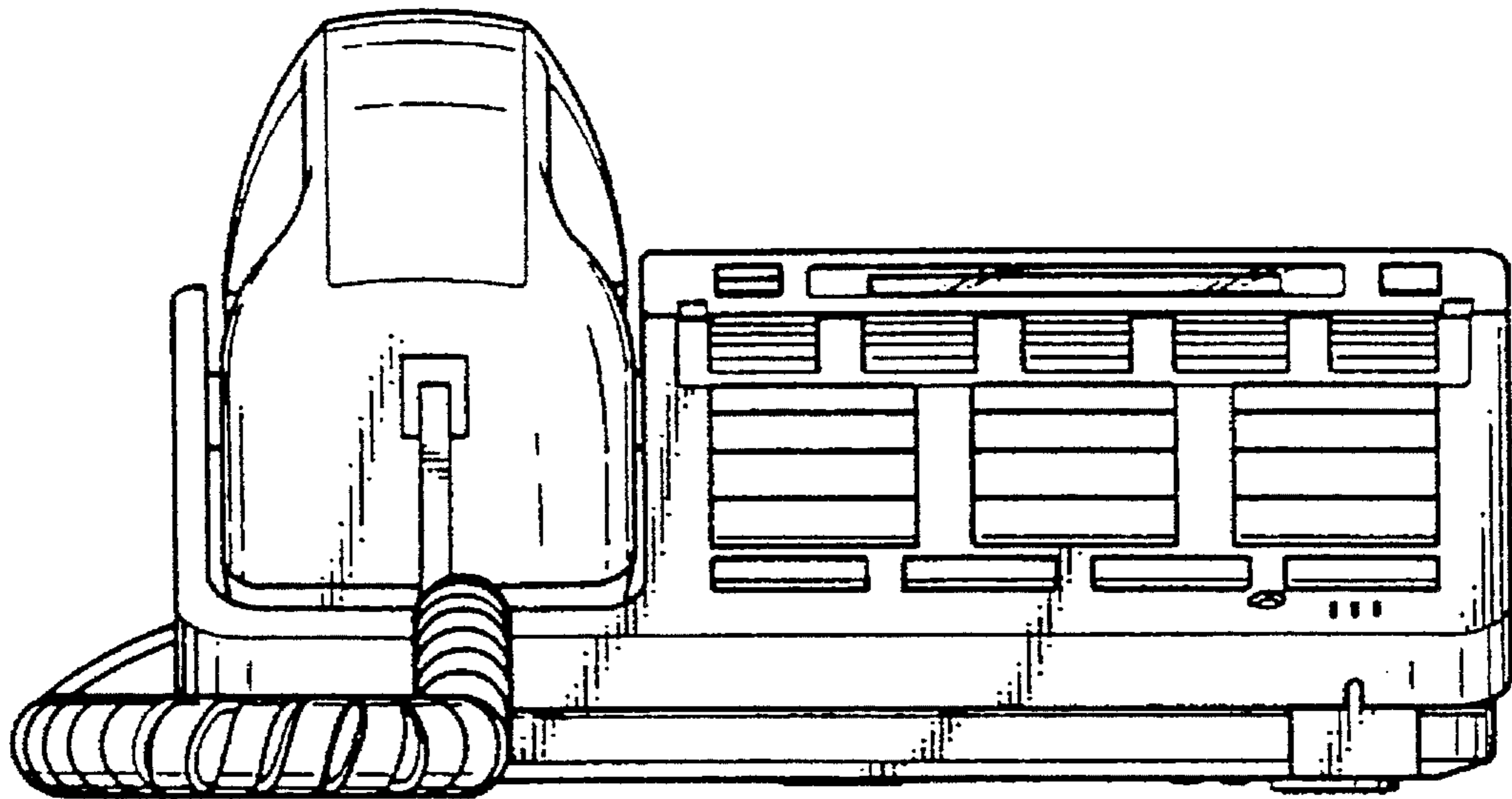


FIG. 2

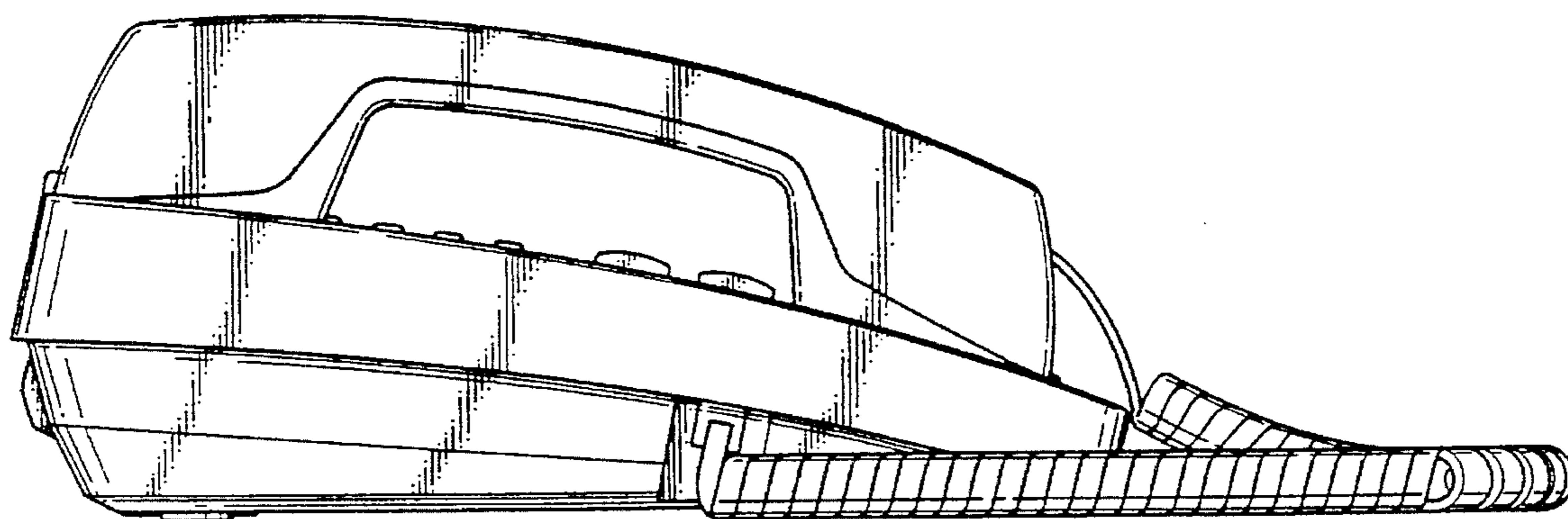


FIG. 4

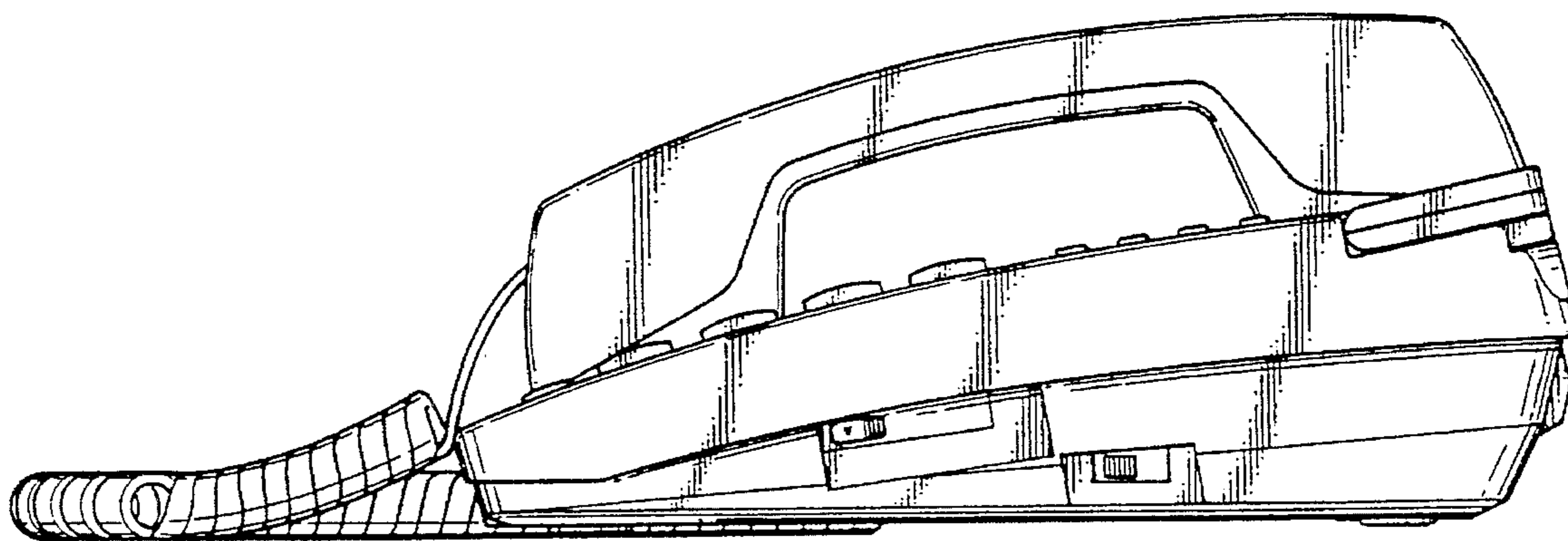


FIG. 5

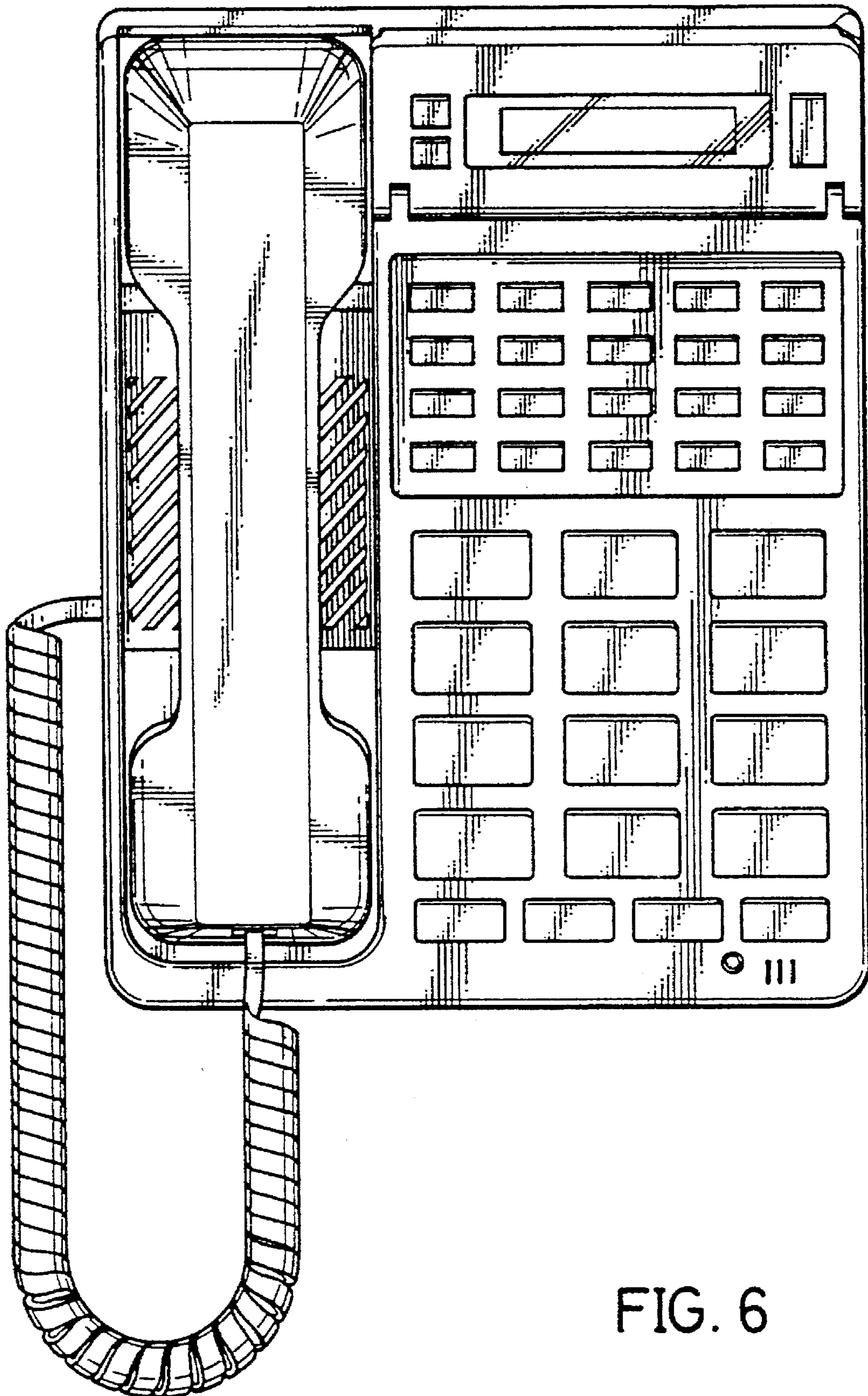


FIG. 6

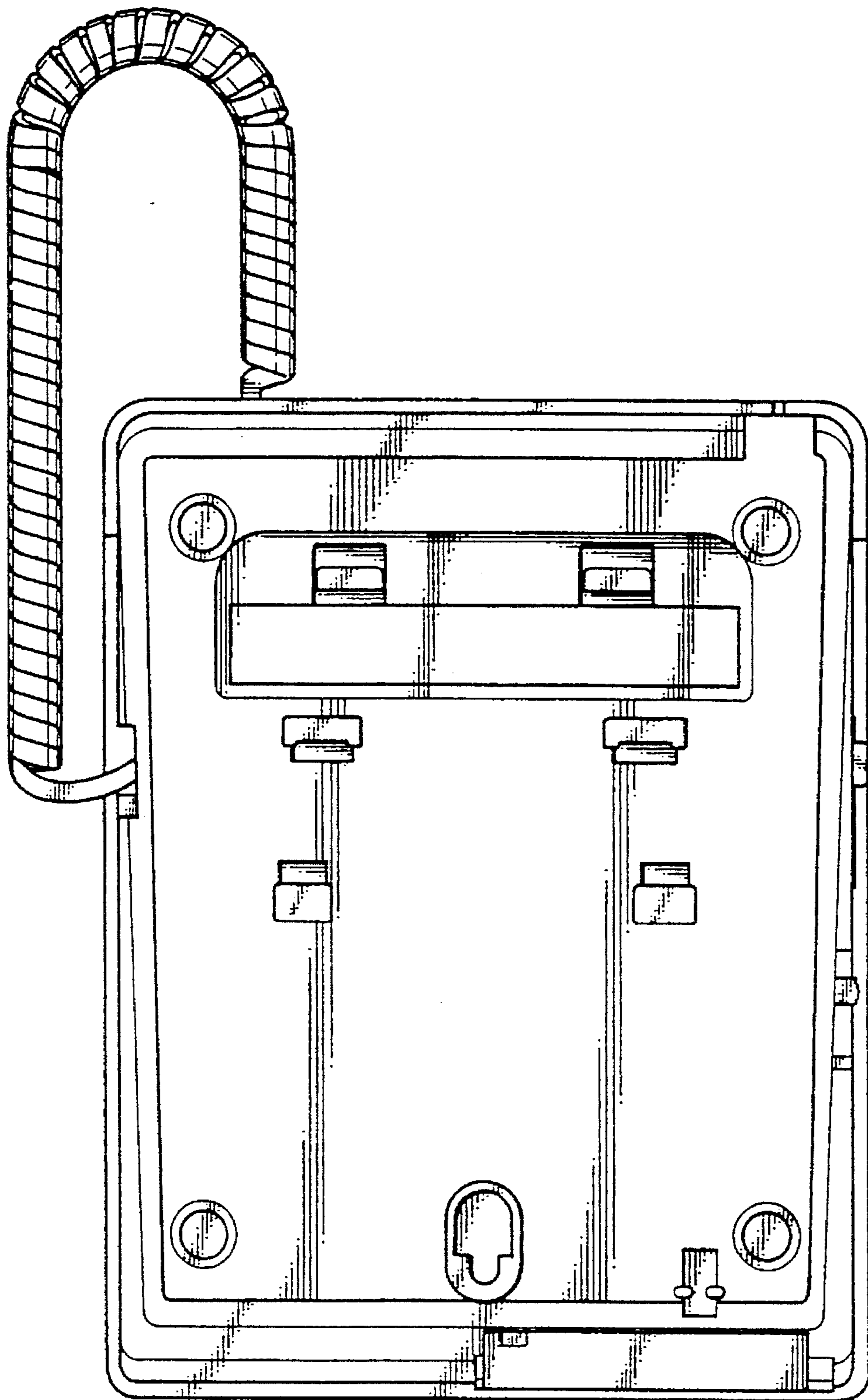


FIG. 7