



US00D368088S

United States Patent [19]
Cha

[11] **Patent Number: Des. 368,088**
[45] **Date of Patent: **Mar. 19, 1996**

[54] **VIDEO CASSETTE RECORDER**

D. 345,156 3/1994 Ishibashi et al. D14/135

[75] Inventor: **Kang H. Cha**, Inchon, Rep. of Korea

Primary Examiner—Prabhakar G. Deshmukh

Assistant Examiner—Richelle Shelton

[73] Assignee: **Goldstar Co., Ltd.**, Seoul, Rep. of Korea

Attorney, Agent, or Firm—Merchant, Gould, Smith, Edell, Welter & Schmidt

[**] Term: **14 Years**

[57] **CLAIM**

[21] Appl. No.: **26,647**

The ornamental design for a video cassette recorder, as shown and described.

[22] Filed: **Aug. 2, 1994**

DESCRIPTION

[30] **Foreign Application Priority Data**

FIG. 1 is a perspective view of a video cassette recorder showing my new design;

Mar. 8, 1994 [KR] Rep. of Korea 4321/1994

FIG. 2 is a front elevational view thereof;

[52] **U.S. Cl.** **D14/135**

FIG. 3 is a rear elevational view thereof;

[58] **Field of Search** D14/124, 135,
D14/136, 156, 299

FIG. 4 is a left side elevational view thereof;

FIG. 5 is a right side elevational view thereof;

[56] **References Cited**

FIG. 6 is a top plan view thereof; and,

FIG. 7 is a bottom plan view thereof.

U.S. PATENT DOCUMENTS

D. 323,163 1/1992 Katayama D14/135

1 Claim, 5 Drawing Sheets

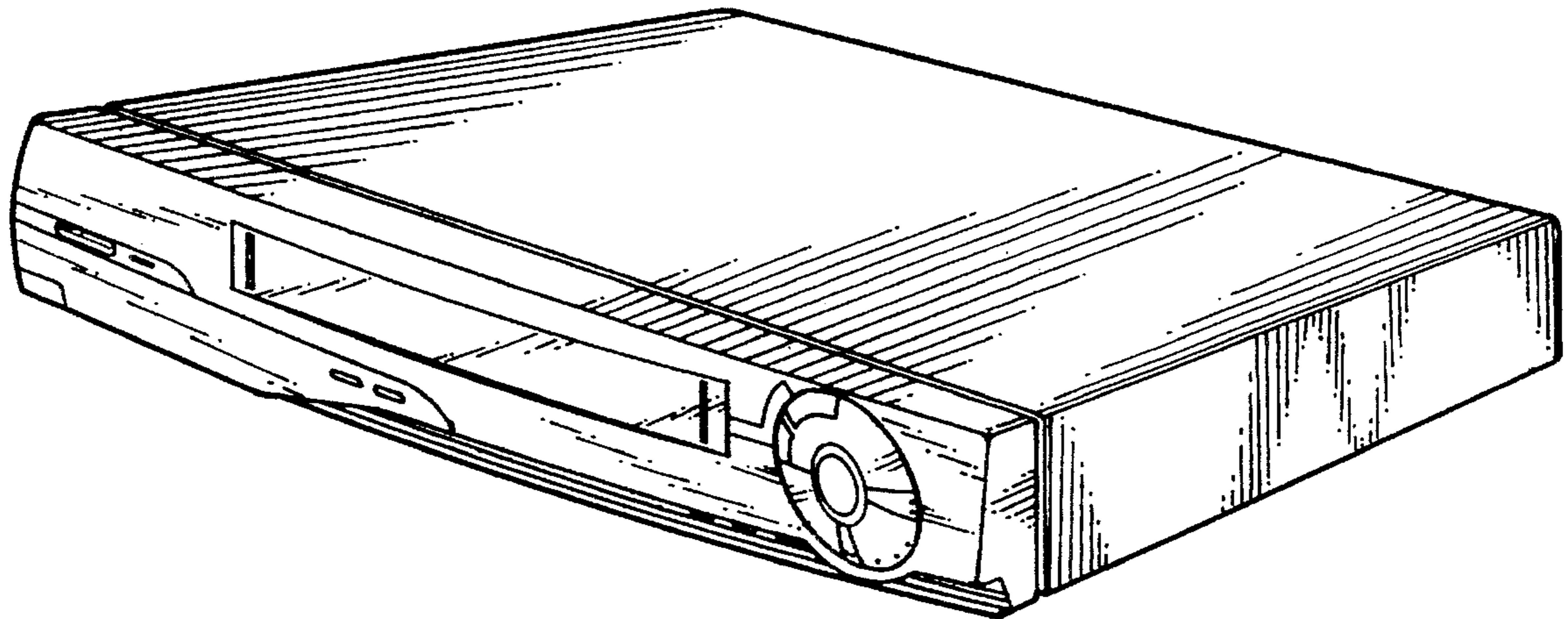


FIG. 1

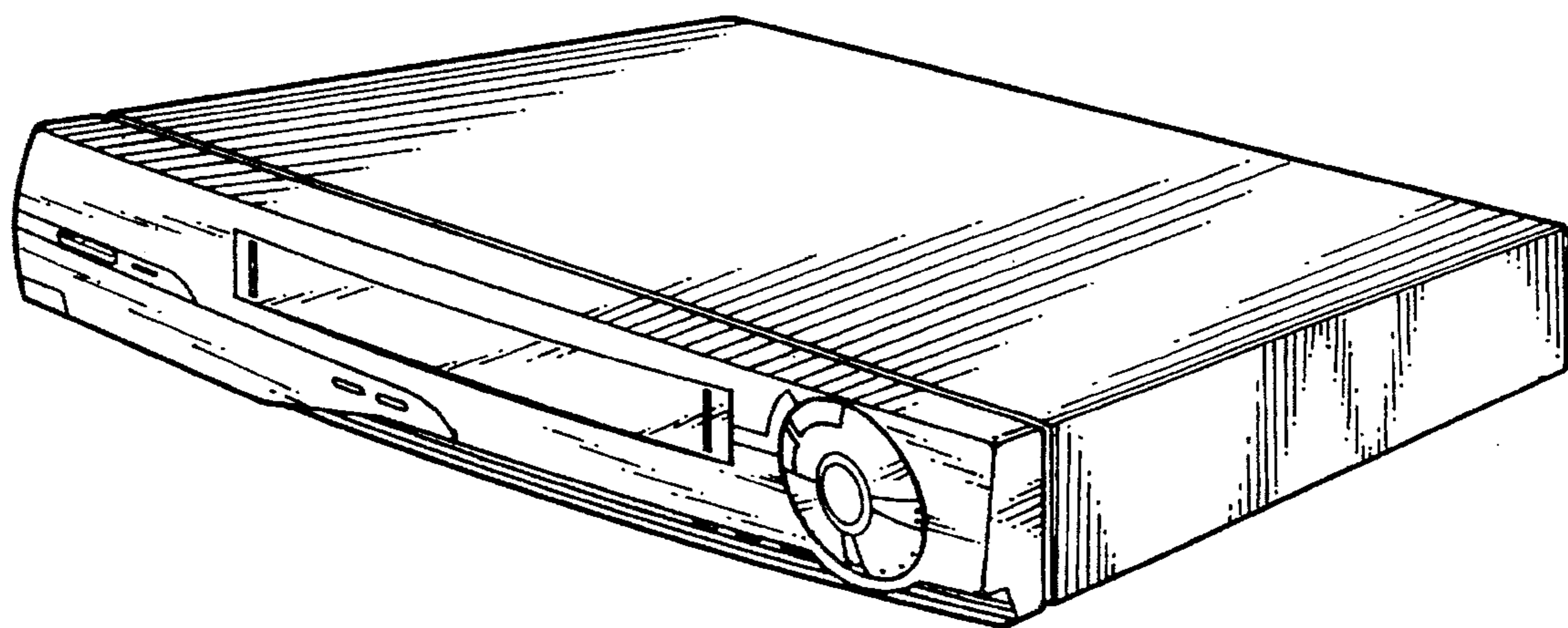


FIG. 2

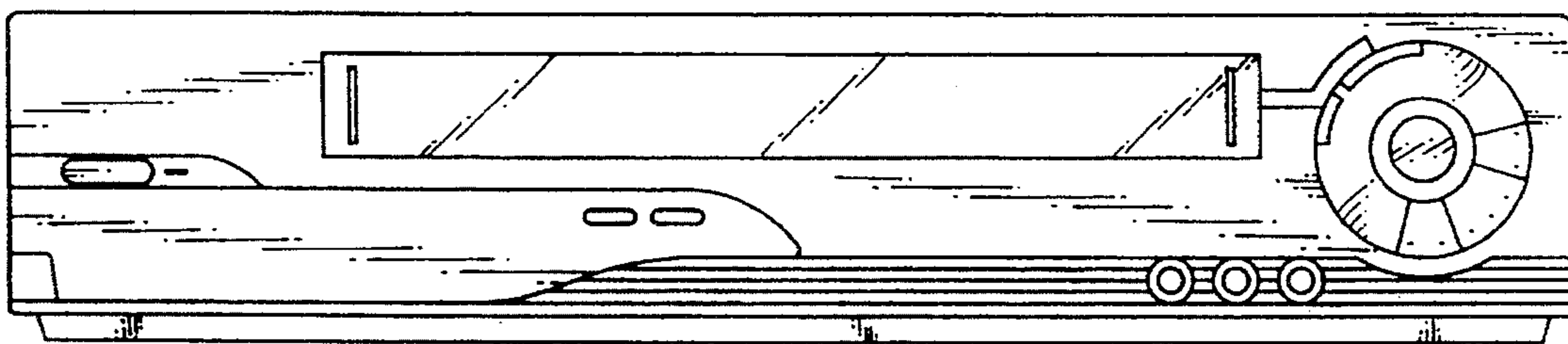
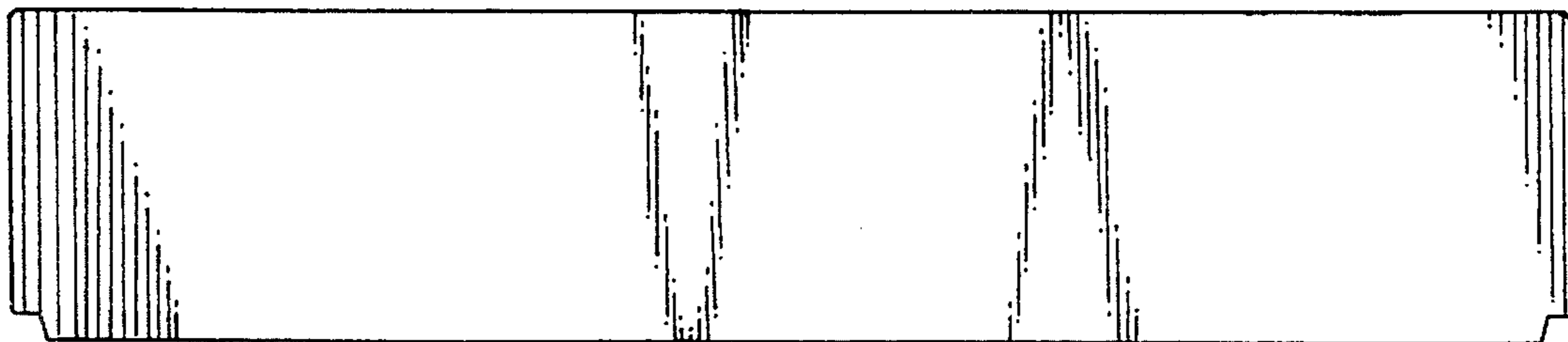
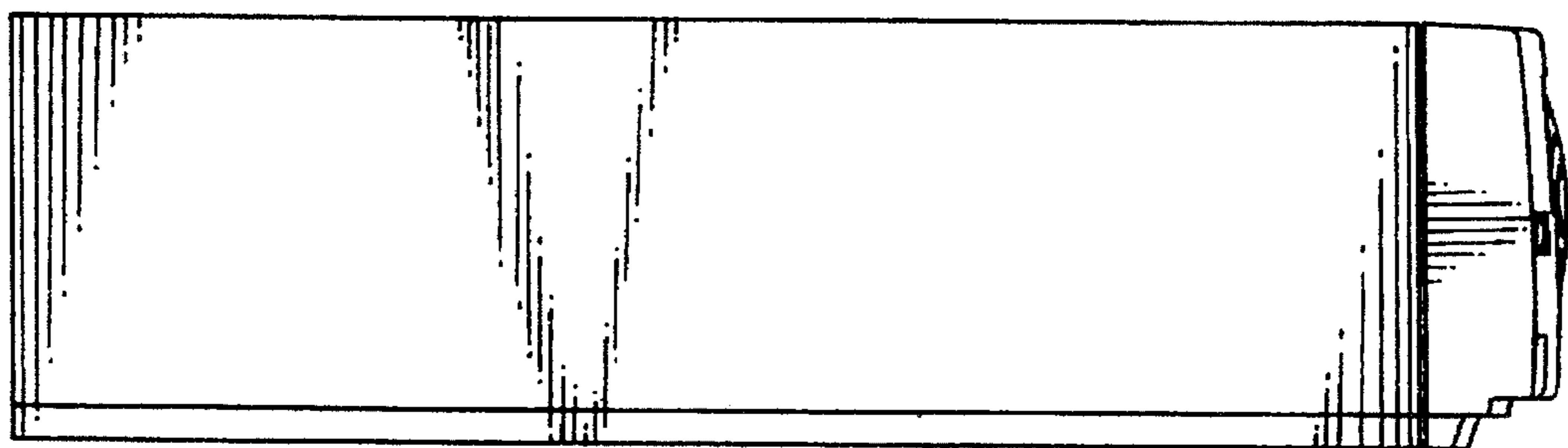


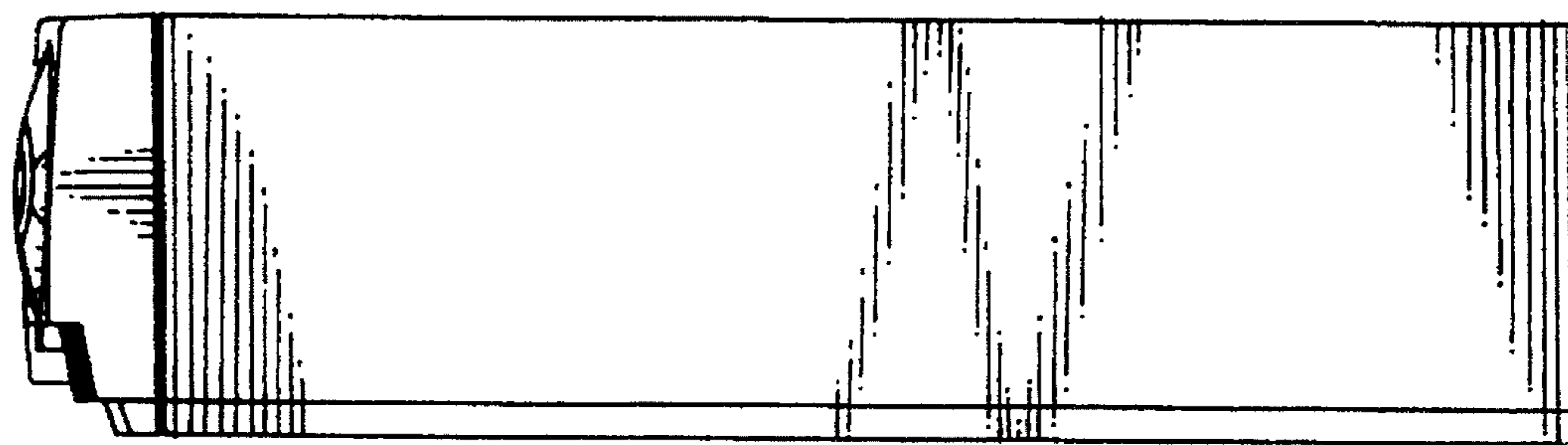
FIG. 3



F I G . 4



F I G . 5



F I G . 6

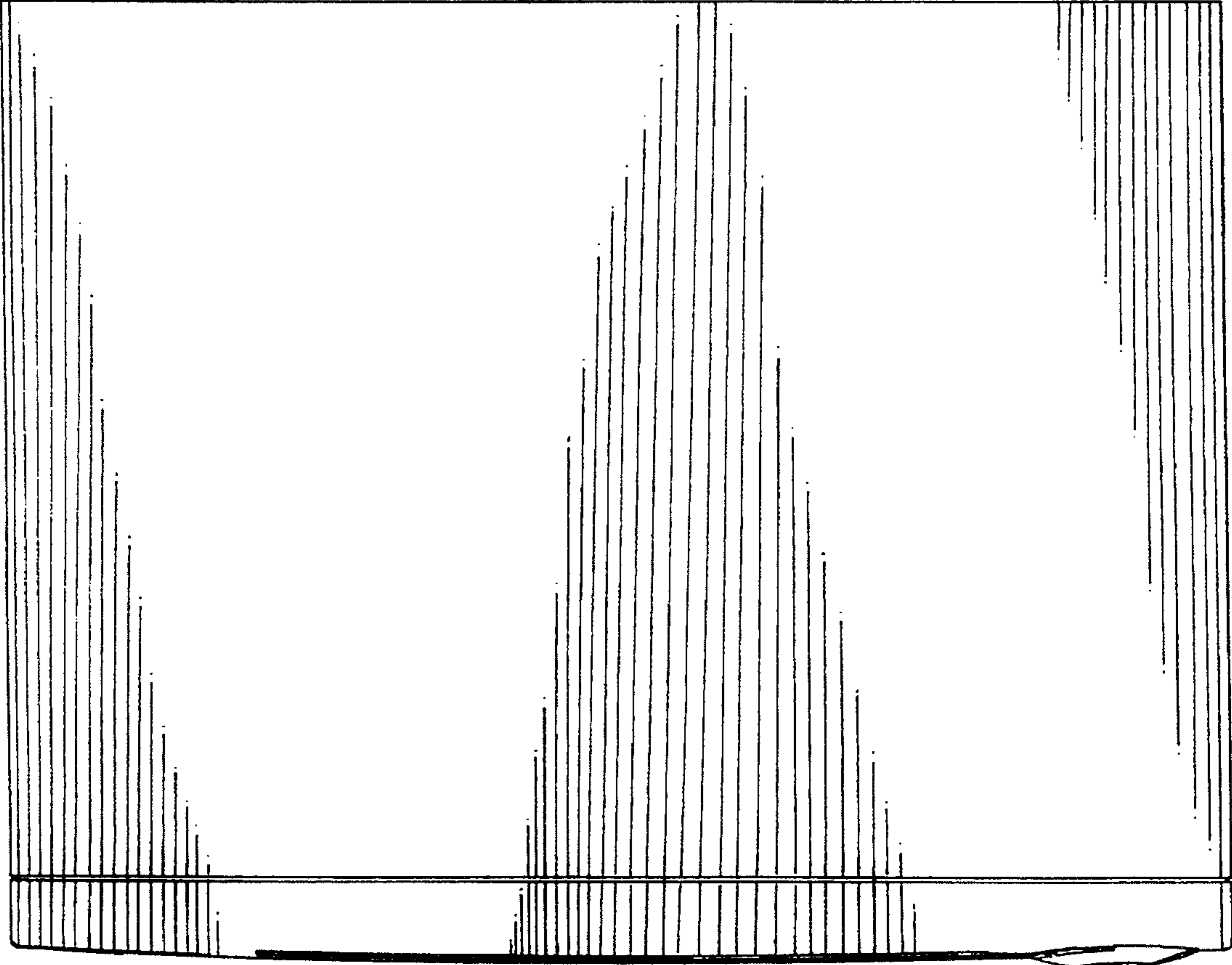


FIG. 7

