



US00D368085S

United States Patent [19]

[11] Patent Number: **Des. 368,085**

Mittal et al.

[45] Date of Patent: ****Mar. 19, 1996**

[54] SET TOP TELEVISION CONVERTER

D. 347,631 6/1994 Terleski .

[75] Inventors: **Faquir C. Mittal**, Audubon; **Doris Witzman**, Philadelphia, both of Pa.; **Stephen G. Miggels**, Wyckoff, N.J.

Primary Examiner—Ted Shooman
Assistant Examiner—Richelle Shelton
Attorney, Agent, or Firm—Barry R. Lipsitz

[73] Assignee: **General Instrument Corporation of Delaware**, Chicago, Ill.

[57] **CLAIM**

[**] Term: **14 Years**

The ornamental design for a set top television converter, as shown and described.

[21] Appl. No.: **37,923**

DESCRIPTION

[22] Filed: **Apr. 24, 1995**

[52] U.S. Cl. **D14/125**; D14/239

[58] Field of Search D14/124, 125, D14/239, 135, 136, 188, 299; 348/11, 706, 10; 455/6.1; 312/7.1

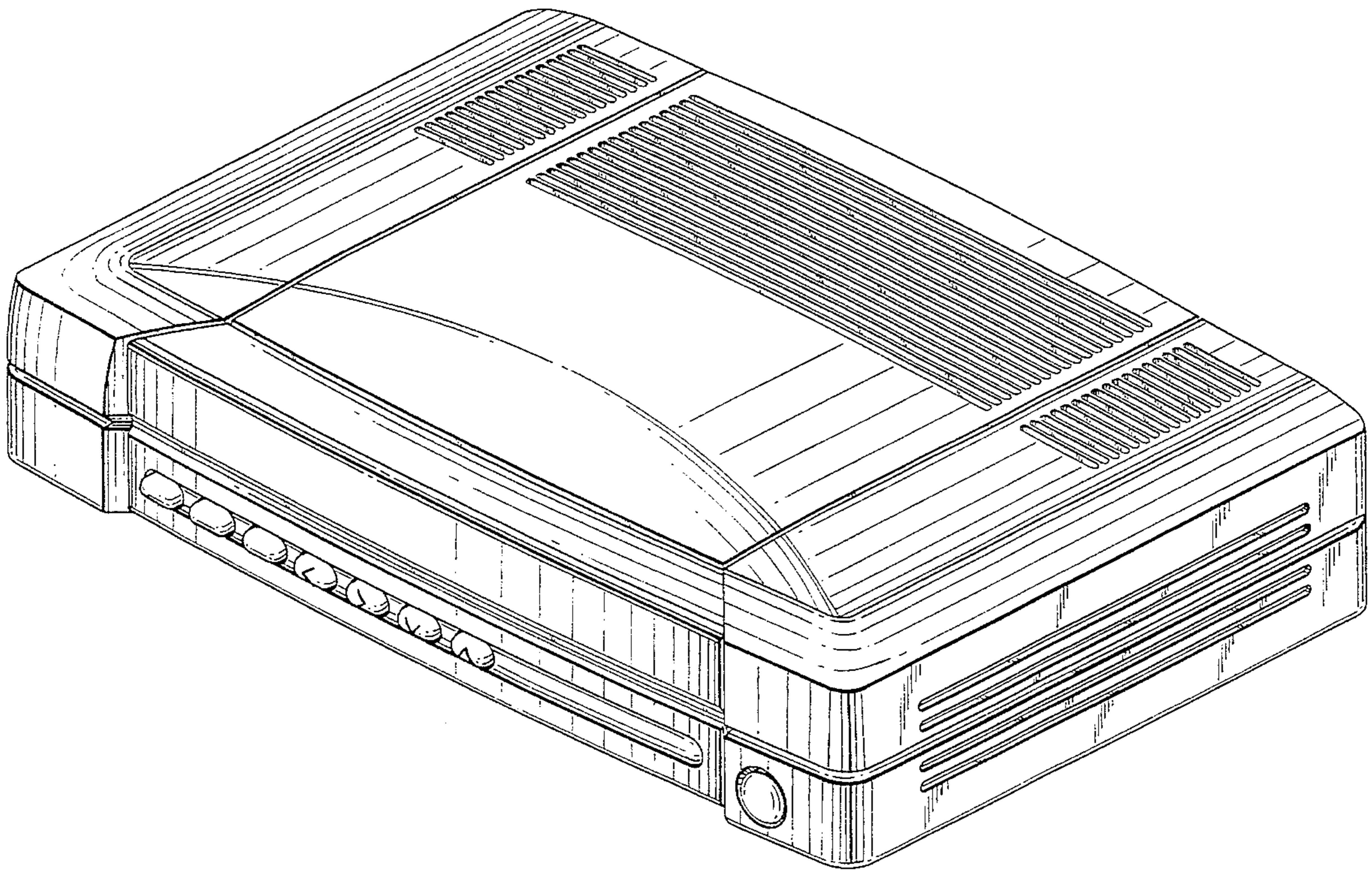
FIG. 1 is a front perspective view of the set top television converter showing our new design;
FIG. 2 is a front elevational view of the converter;
FIG. 3 is a top plan view of the converter;
FIG. 4 is a right side elevational view of the converter;
FIG. 5 is a left side elevational view of the converter;
FIG. 6 is a bottom plan view of the converter;
FIG. 7 is a rear elevational view of the converter; and,
FIG. 8 is a rear perspective view of the converter.

[56] References Cited

U.S. PATENT DOCUMENTS

D. 313,230 12/1990 Issacs D14/125
D. 327,677 7/1992 Byun D14/135

1 Claim, 4 Drawing Sheets



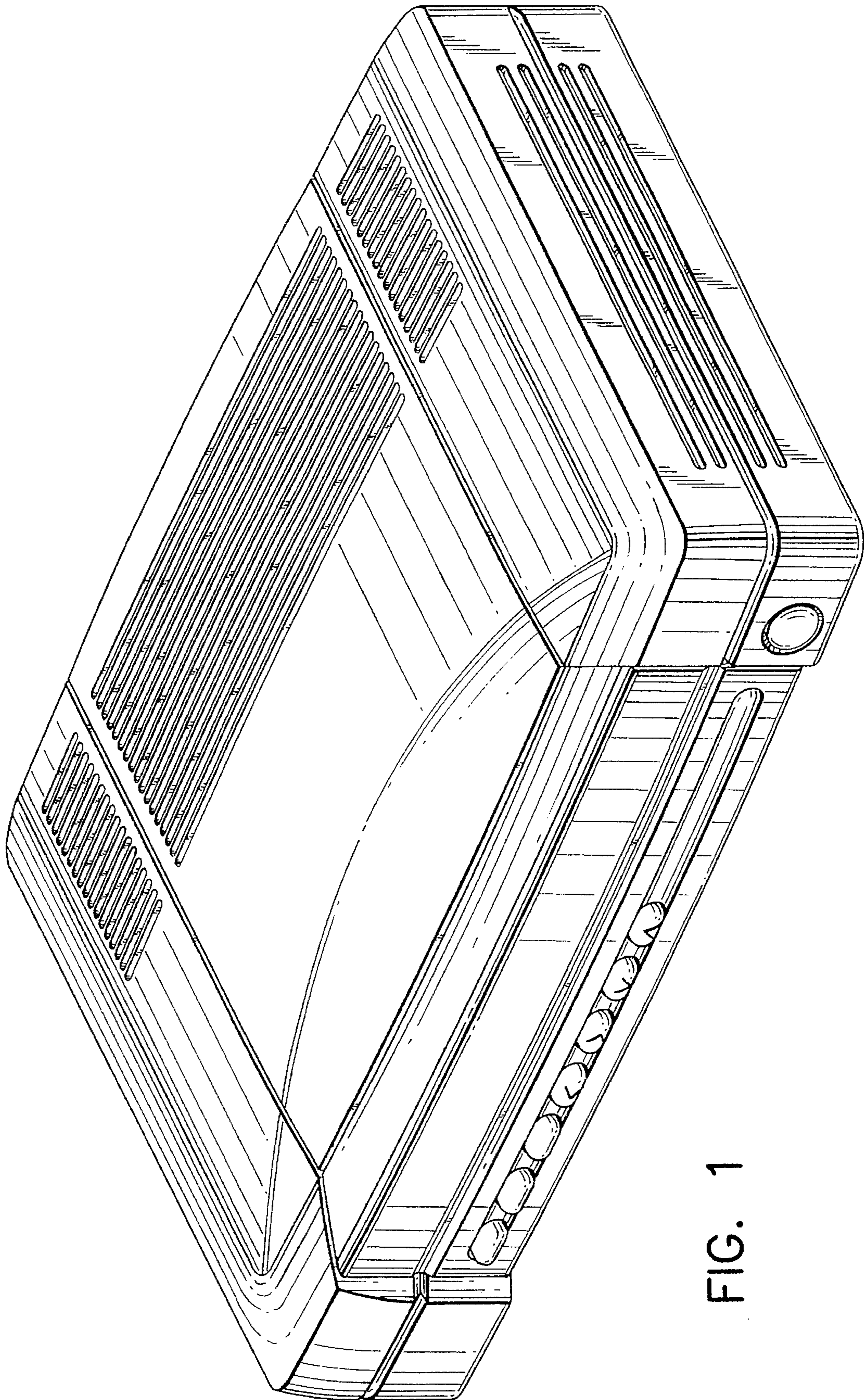


FIG. 1

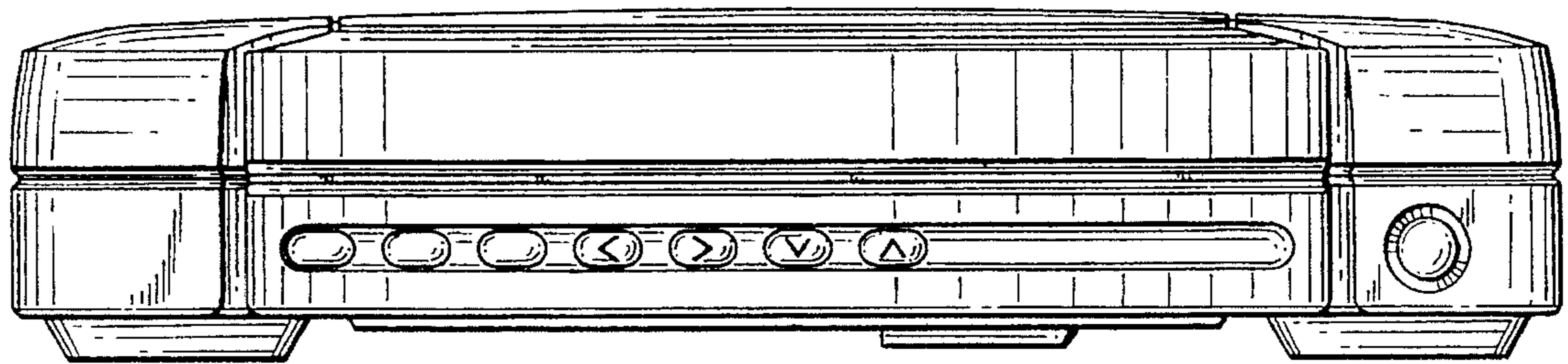


FIG. 2

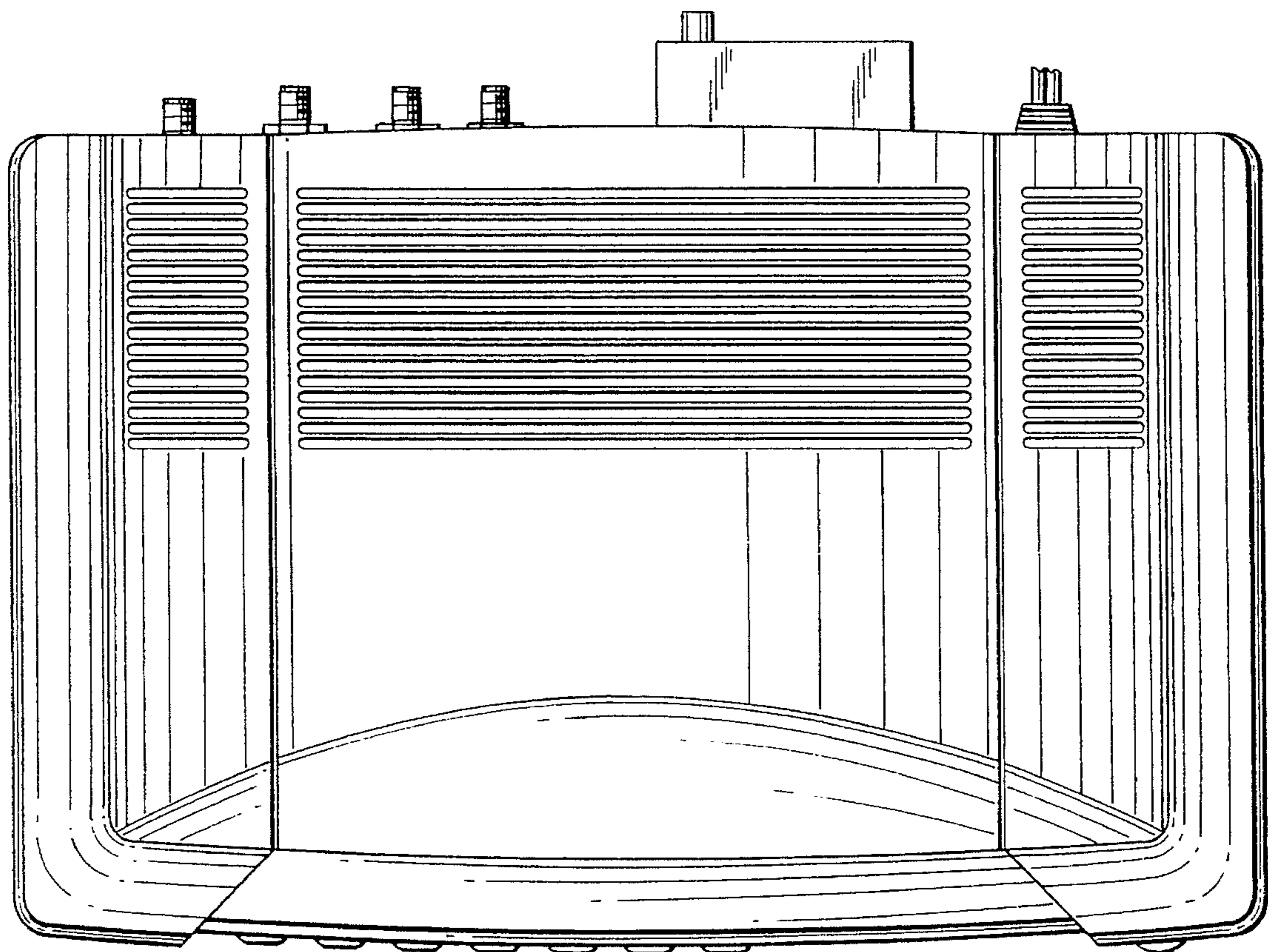


FIG. 3

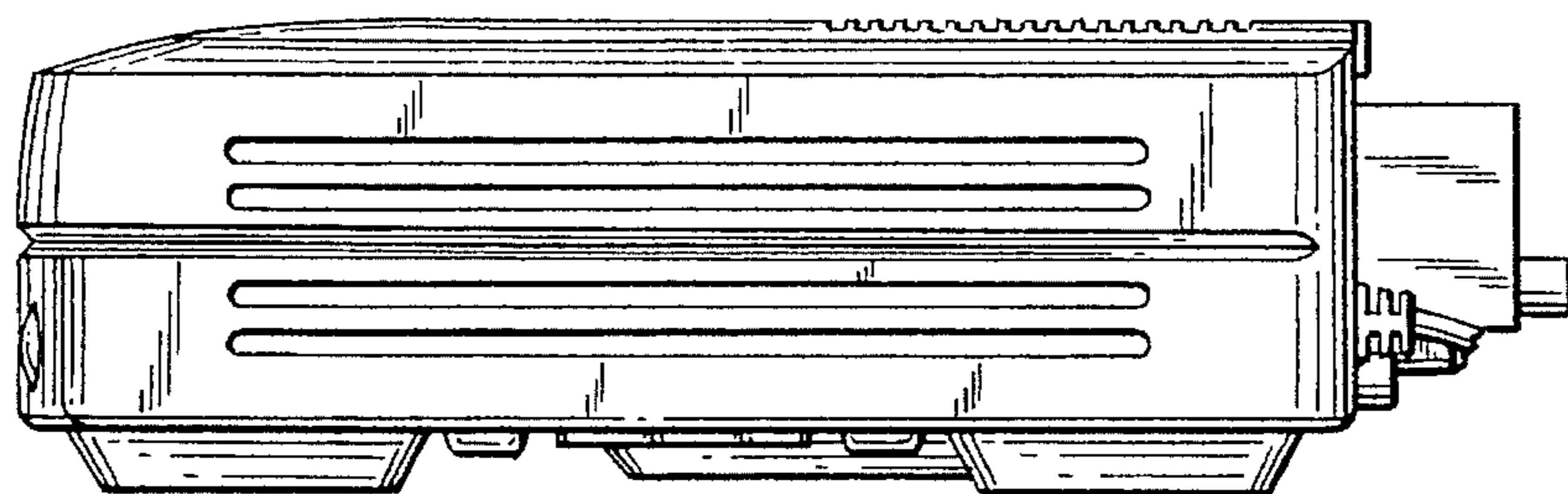


FIG. 4

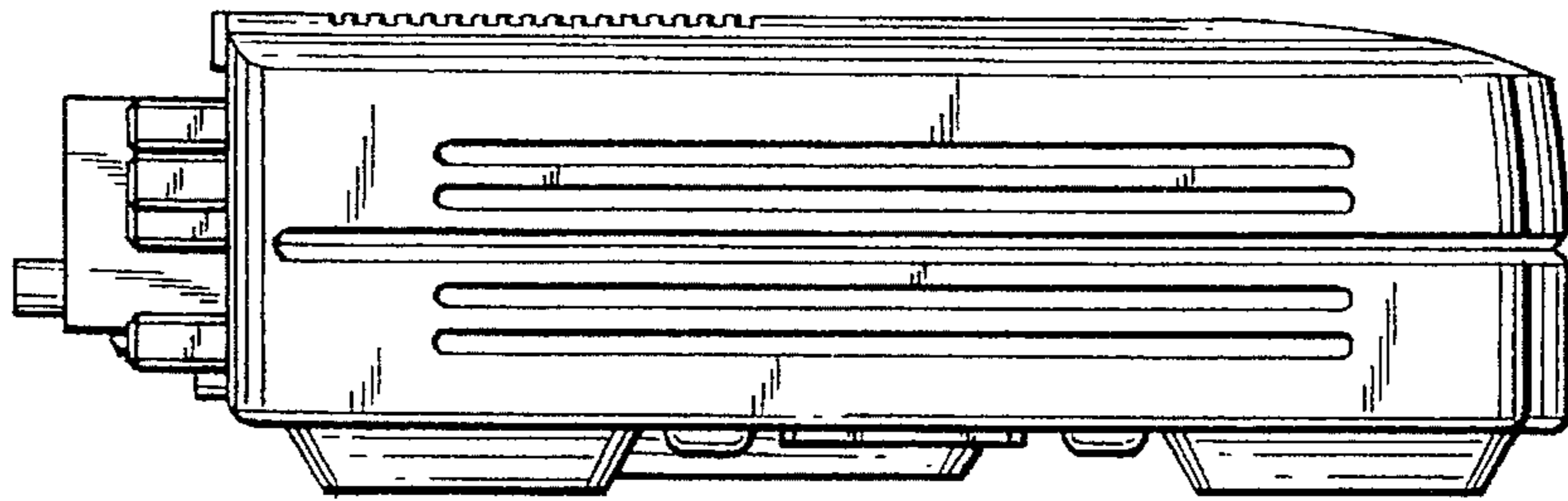


FIG. 5

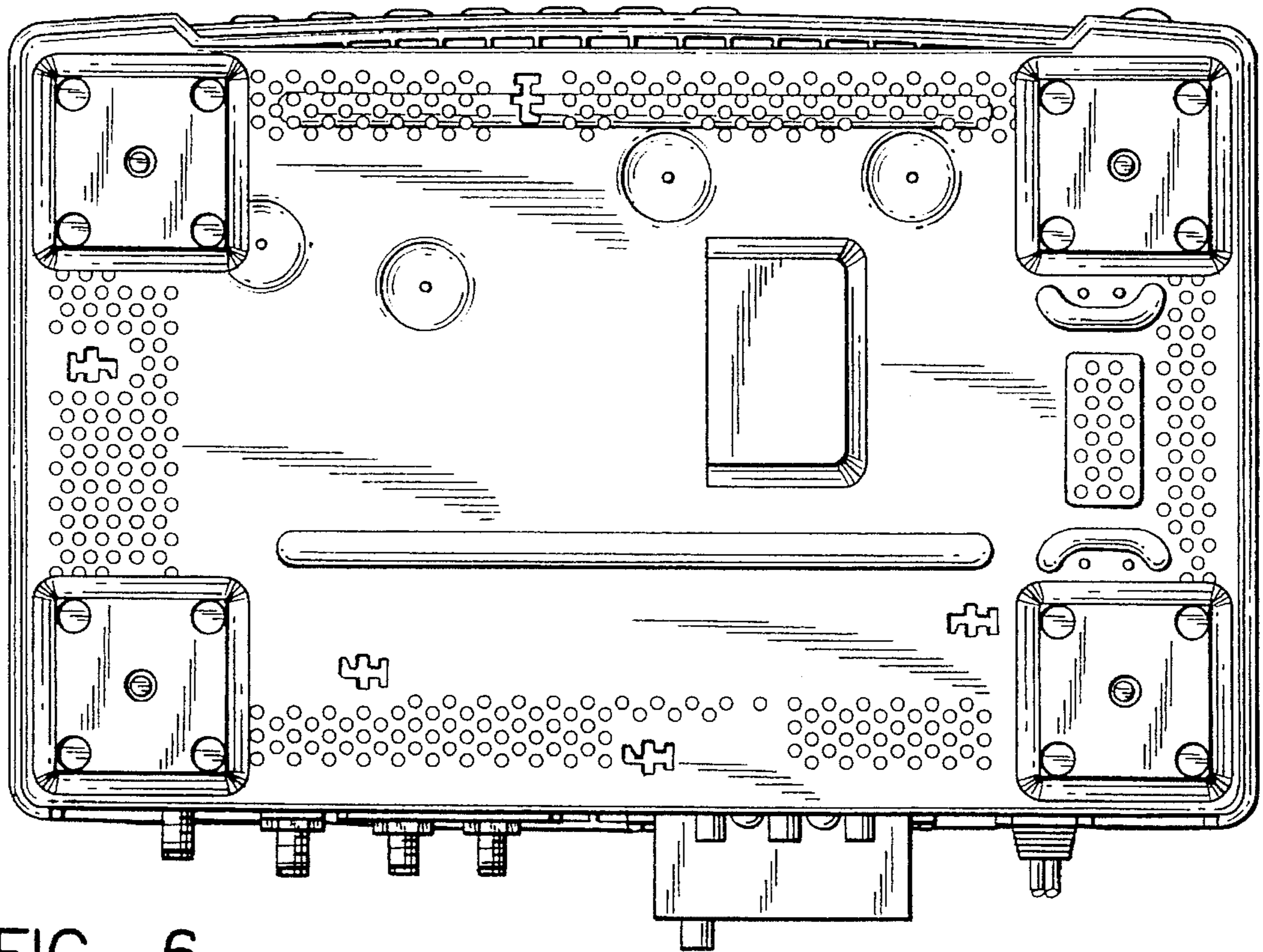


FIG. 6

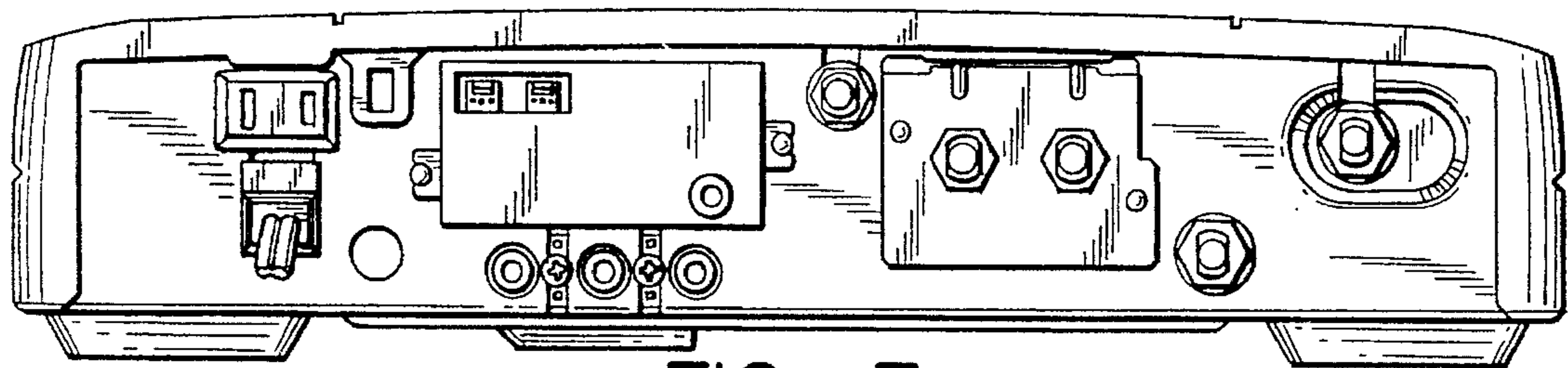


FIG. 7

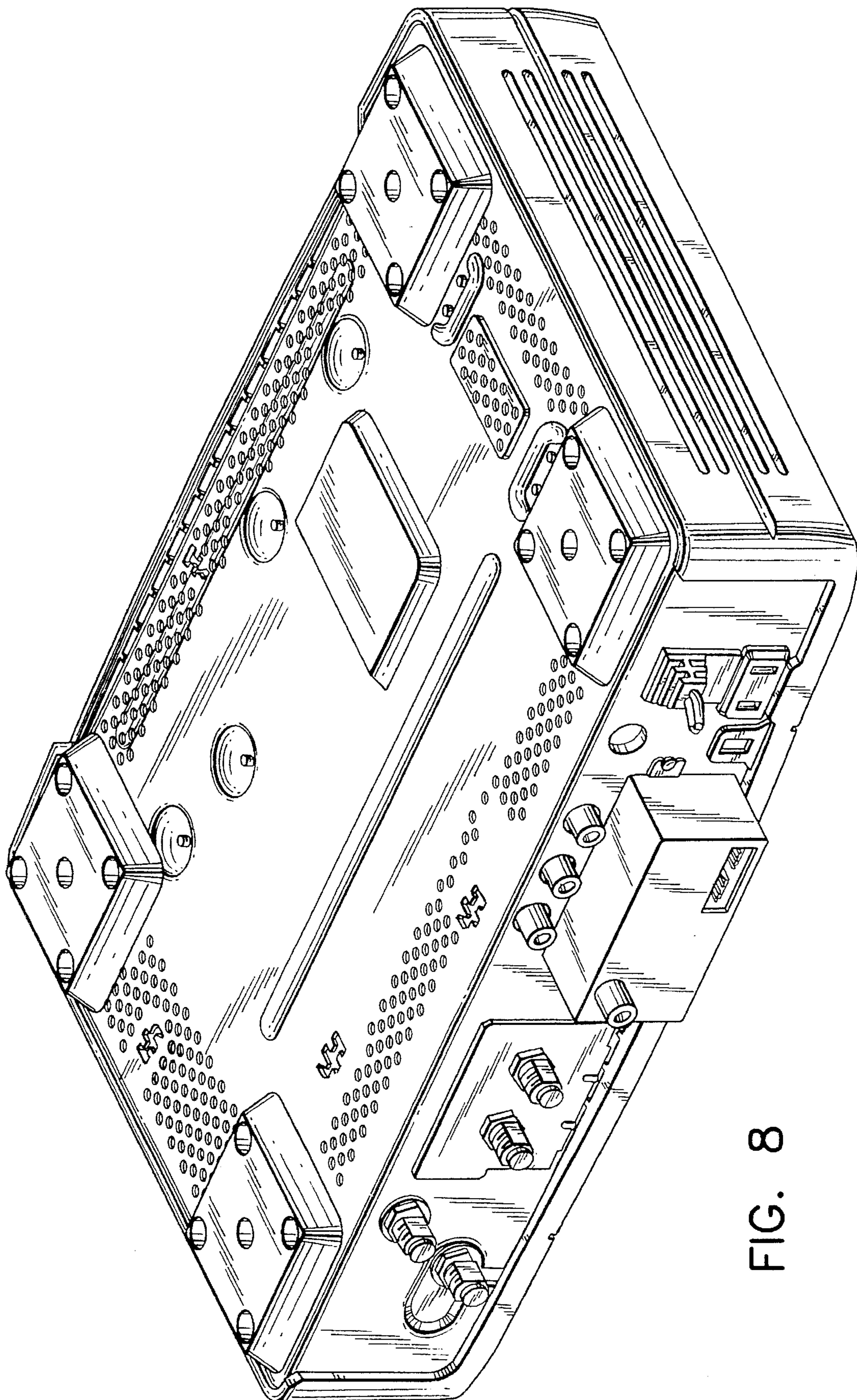


FIG. 8